



US00D486699S

(12) **United States Design Patent**
Morgan

(10) **Patent No.:** **US D486,699 S**

(45) **Date of Patent:** **** Feb. 17, 2004**

(54) **STORAGE RACK FOR POTS, PANS AND LIDS**

D364,074 S * 11/1995 Yeh D7/637
5,664,691 A * 9/1997 Boivin-Paradis 211/184
6,161,708 A * 12/2000 Myler 211/90.02

(76) **Inventor:** **Fletcher Morgan**, 4990 Coquina Key Dr., SE., St. Petersburg, FL (US) 33705

* cited by examiner

(**) **Term:** **14 Years**

Primary Examiner—Terry A. Wallace
(74) *Attorney, Agent, or Firm*—John S. Hale; Gipple & Hale

(21) **Appl. No.:** **29/177,712**

(57) **CLAIM**

(22) **Filed:** **Mar. 17, 2003**

The ornamental design for a storage rack for pots, pans and lids, as shown and described.

(51) **LOC (7) Cl.** **07-99**

(52) **U.S. Cl.** **D7/601**

(58) **Field of Search** D7/601, 637-641, D7/701-708; D6/462, 491, 396, 449, 457, 458, 466; 211/41.11, 41.2, 90.02, 103, 106, 181.1, 184; 312/294, 334.8, 128-136

DESCRIPTION

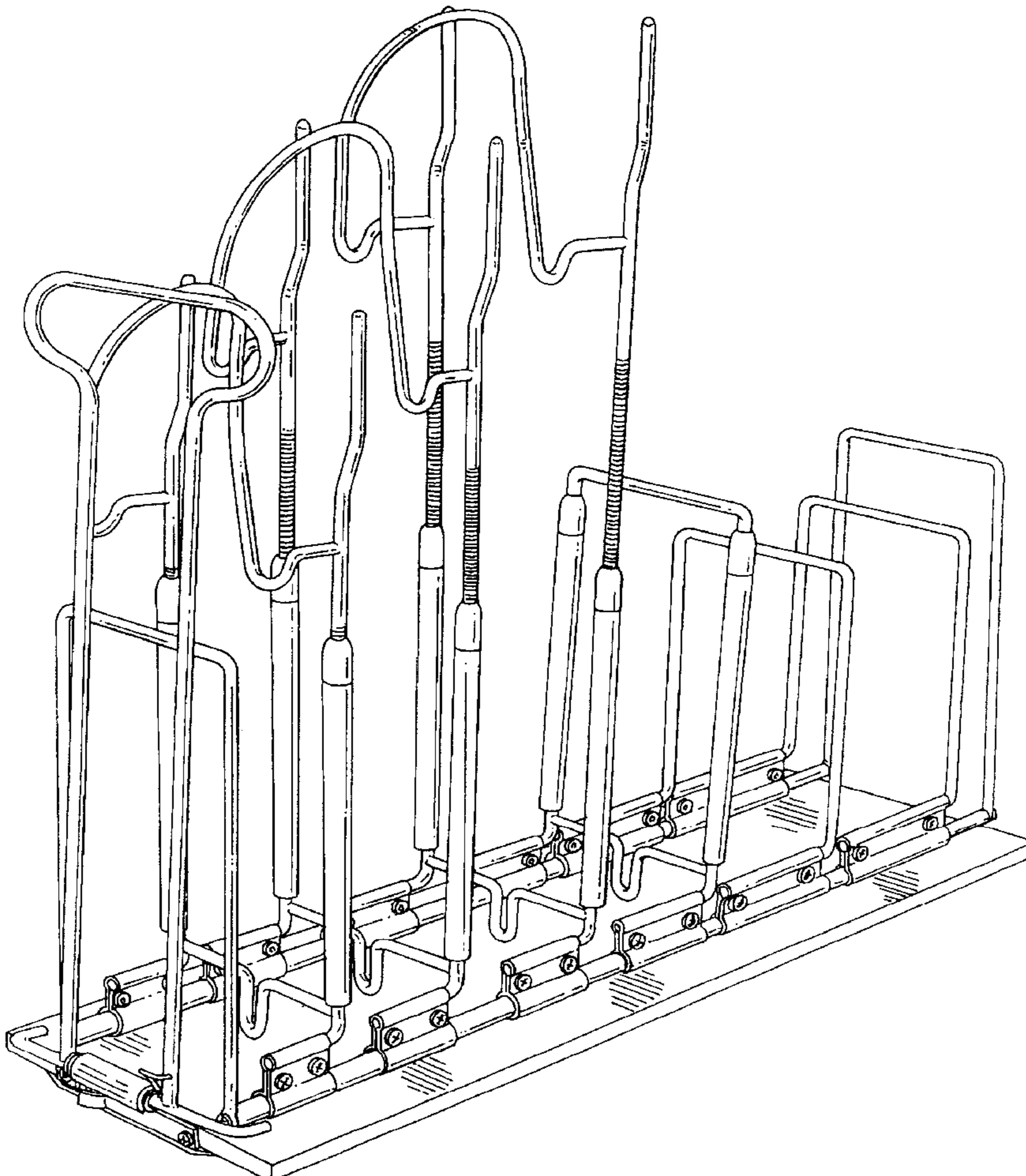
(56) **References Cited**

U.S. PATENT DOCUMENTS

1,065,000 A * 6/1913 Harter et al. 211/41.11
4,592,471 A * 6/1986 Bross 211/41.2
4,969,560 A * 11/1990 Stanfield 211/41.2

FIG. 1 is a front perspective view of the storage rack for pots, pans and lids showing my new design;
FIG. 2 is a side elevational view thereof the other side being identical;
FIG. 3 is a front elevational view thereof;
FIG. 4 is a rear elevational view thereof;
FIG. 5 is a top plan view thereof; and,
FIG. 6 is a bottom plan view thereof.

1 Claim, 5 Drawing Sheets



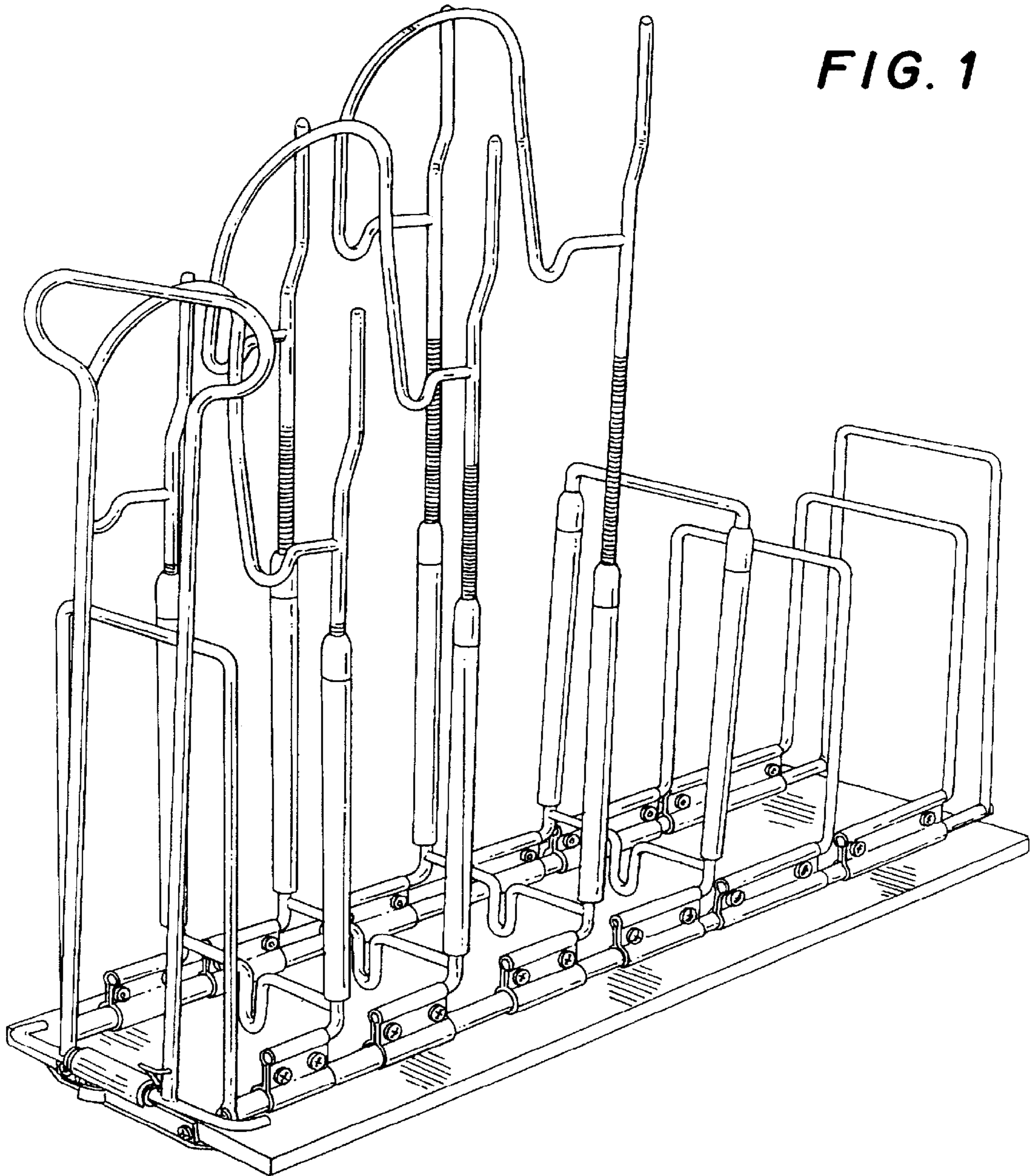
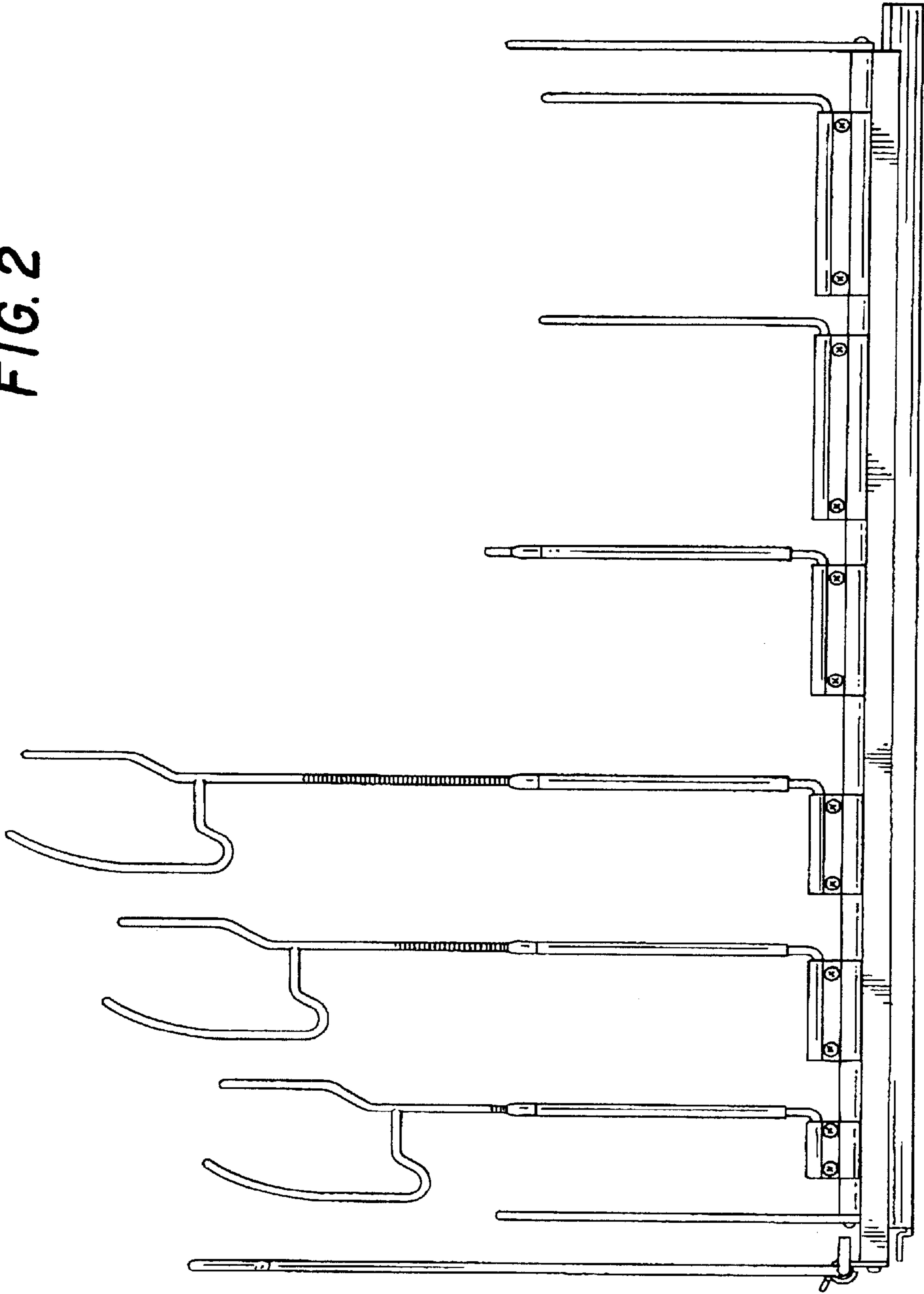


FIG. 1

FIG. 2



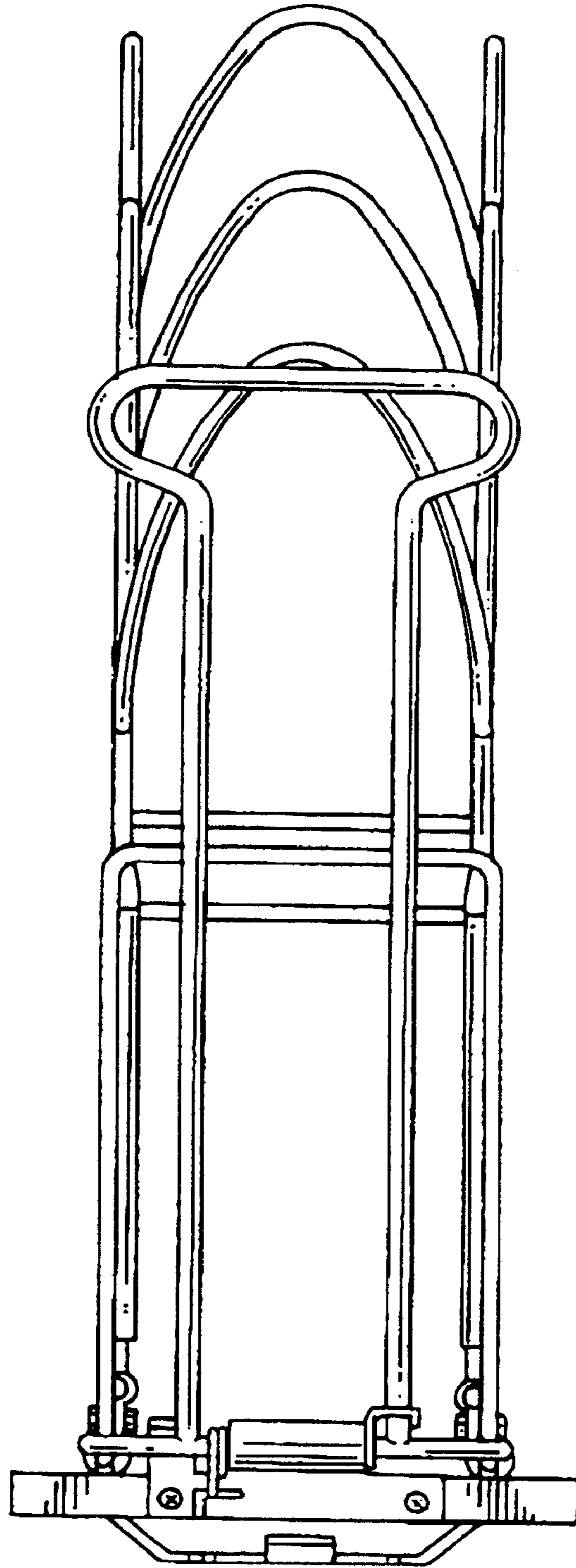


FIG. 3

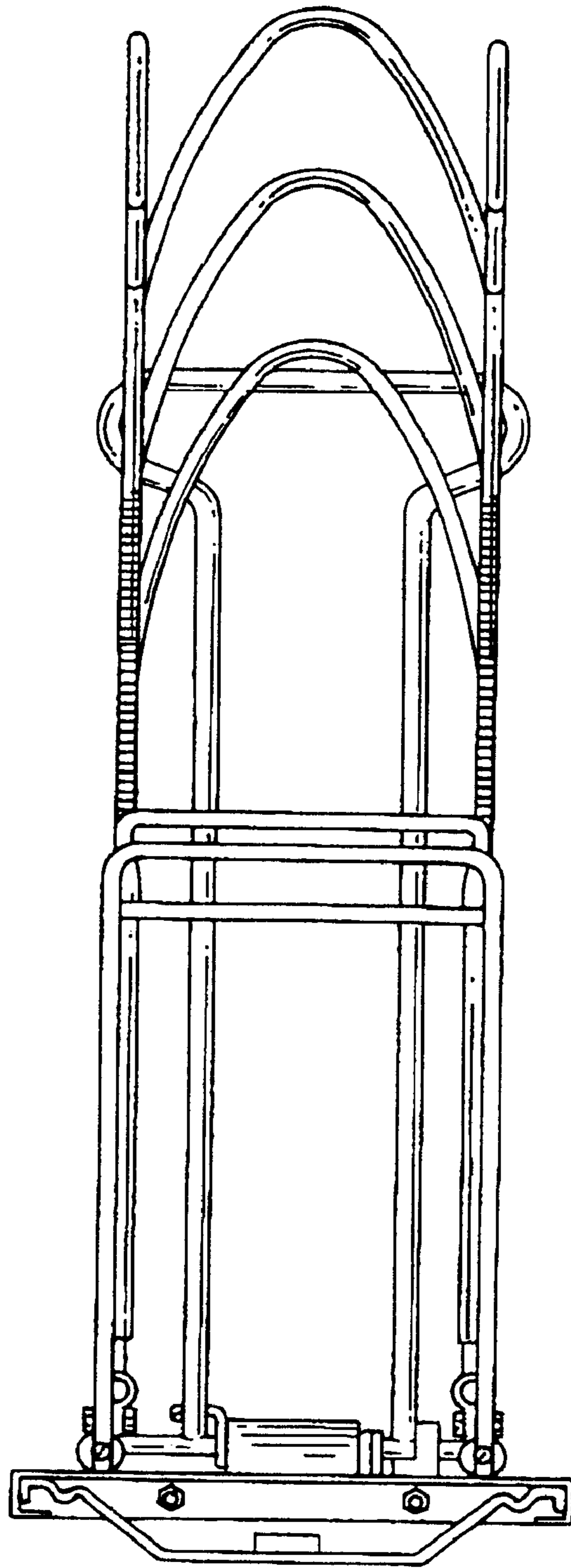


FIG. 4

FIG. 5

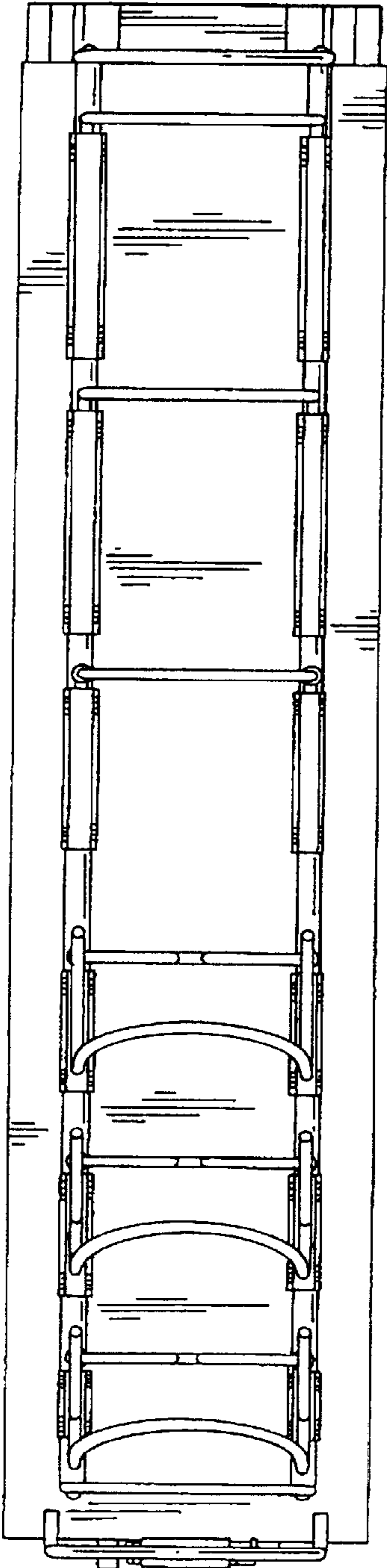


FIG. 6

