



US00D486698S

(12) **United States Design Patent**
Hutchison

(10) **Patent No.:** **US D486,698 S**

(45) **Date of Patent:** **** Feb. 17, 2004**

(54) **RICE-PORIONING DEVICE**

(75) Inventor: **Bruce Hutchison**, Cambridge (GB)

(73) Assignee: **Sushi Machines International Limited**, Saffron Walden (GB)

(**) Term: **14 Years**

(21) Appl. No.: **29/170,446**

(22) Filed: **Nov. 6, 2002**

(30) **Foreign Application Priority Data**

May 9, 2002 (GB) 3003500

(51) **LOC (7) Cl.** **31-04**

(52) **U.S. Cl.** **D7/589; D7/368**

(58) **Field of Search** **D7/589, 368; D15/135; 222/173, 181.1, 185.1, 371, 129, 544, 547**

(56) **References Cited**

U.S. PATENT DOCUMENTS

- D218,361 S * 8/1970 Farrant D7/368
- 6,158,623 A * 12/2000 Benavides et al. 222/129
- 6,431,410 B1 * 8/2002 Cuza 222/371

* cited by examiner

Primary Examiner—Terry A. Wallace

(74) *Attorney, Agent, or Firm*—Barnes & Thornburg

(57) **CLAIM**

The ornamental design for a rice-portioning device, as shown and described.

DESCRIPTION

FIG. 1 is a front perspective view of a rice-portioning device according to my invention;

FIG. 2 is a rear perspective view thereof;

FIG. 3 is a perspective view thereof from the front underside;

FIG. 4 is a perspective view thereof from the rear underside;

FIG. 5 is a front elevational view thereof;

FIG. 6 is a rear elevational view thereof;

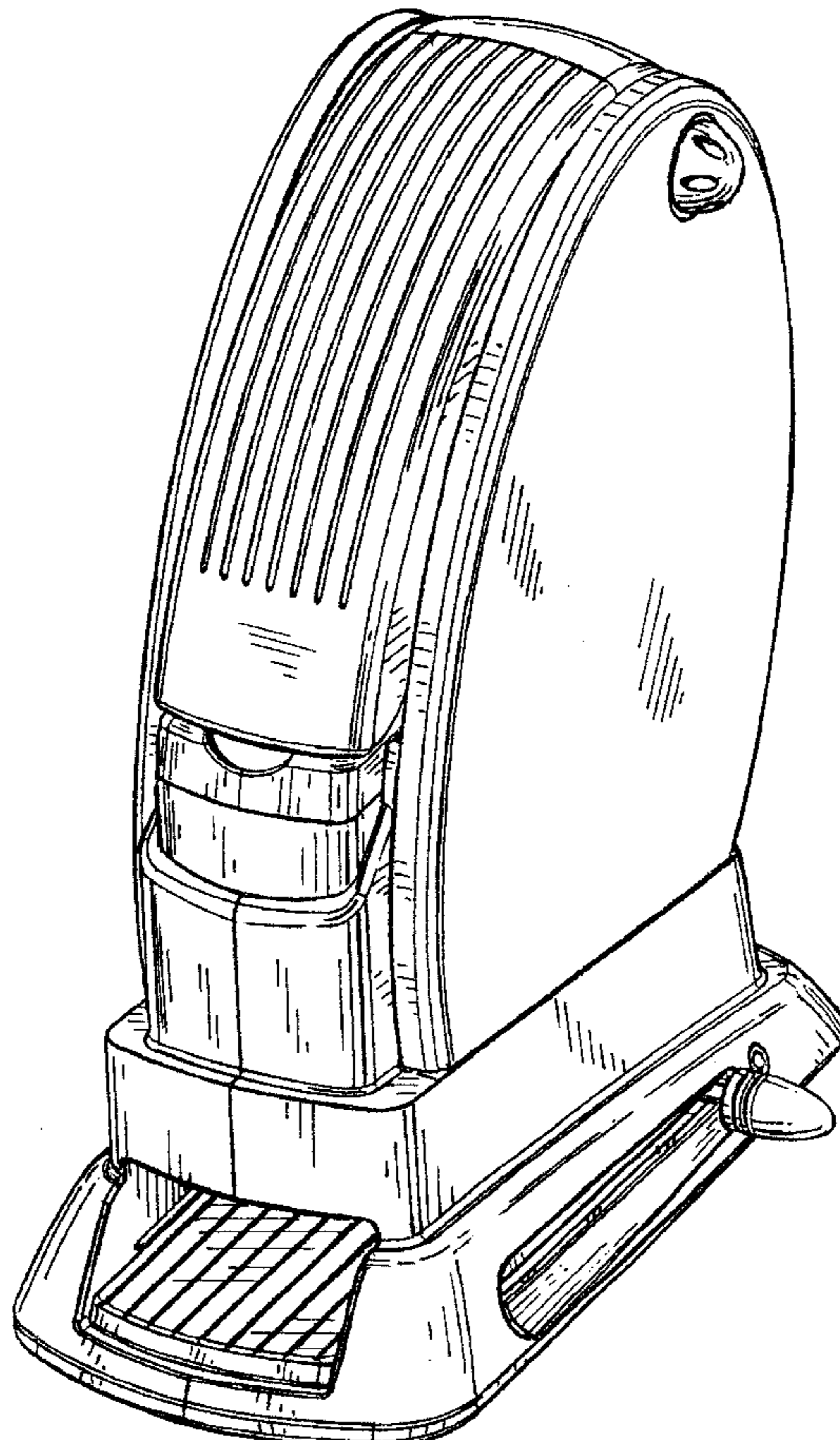
FIG. 7 is a bottom plan view thereof;

FIG. 8 is a top plan view thereof;

FIG. 9 is a left side elevational view thereof, in relation to FIG. 1; and,

FIG. 10 is a right side elevation view thereof, in relation to FIG. 1.

1 Claim, 10 Drawing Sheets



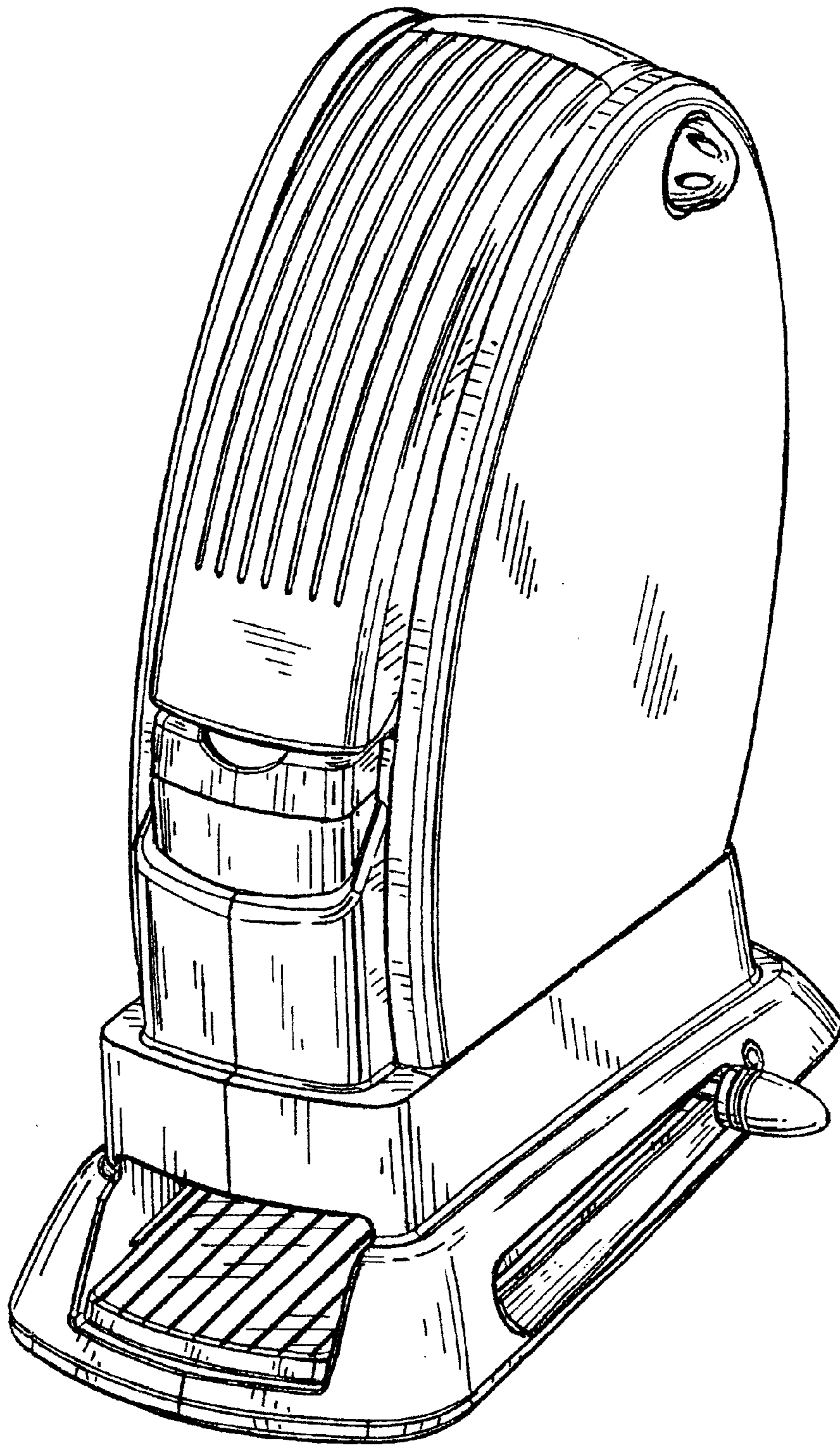


Fig. 1

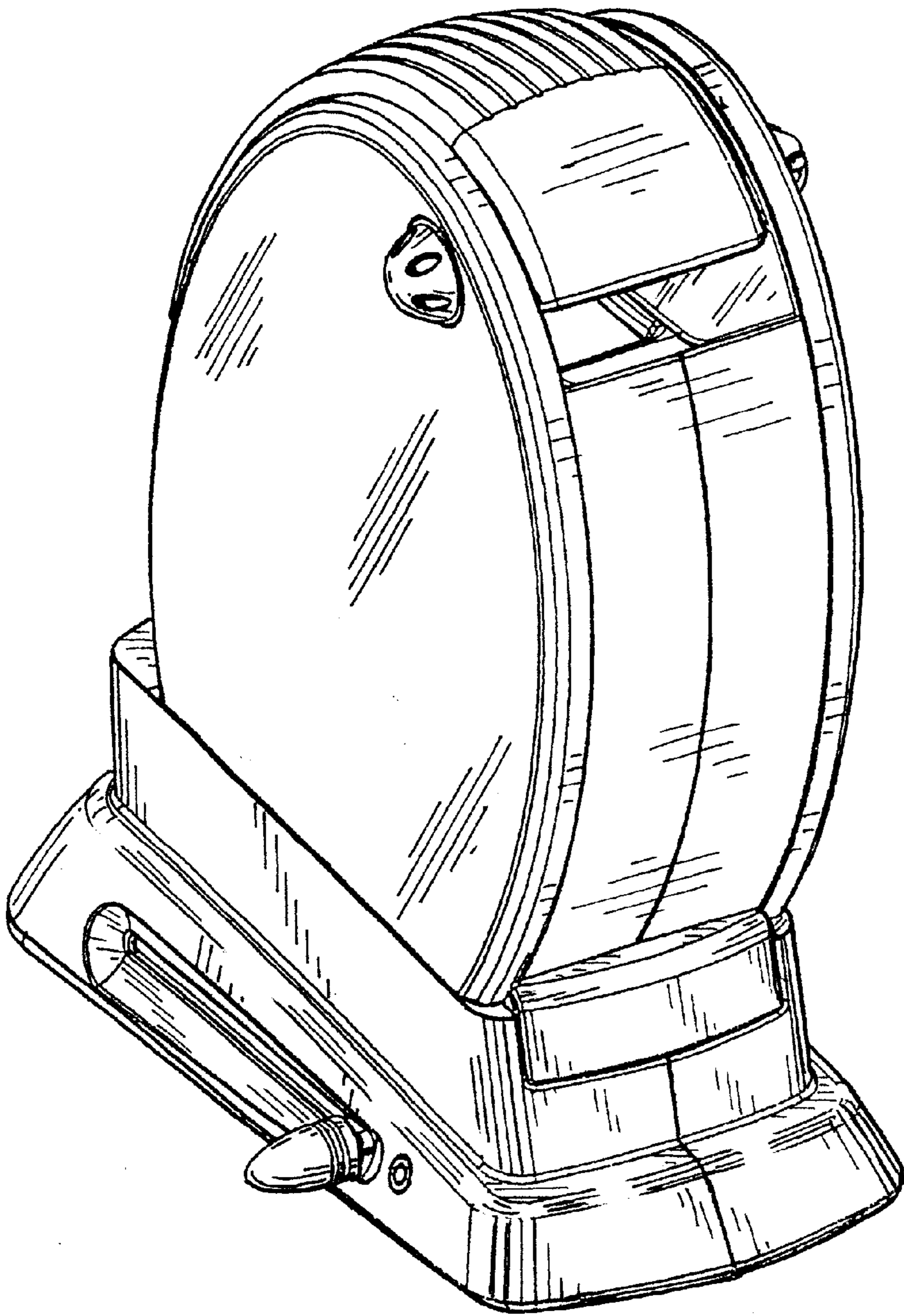


Fig. 2

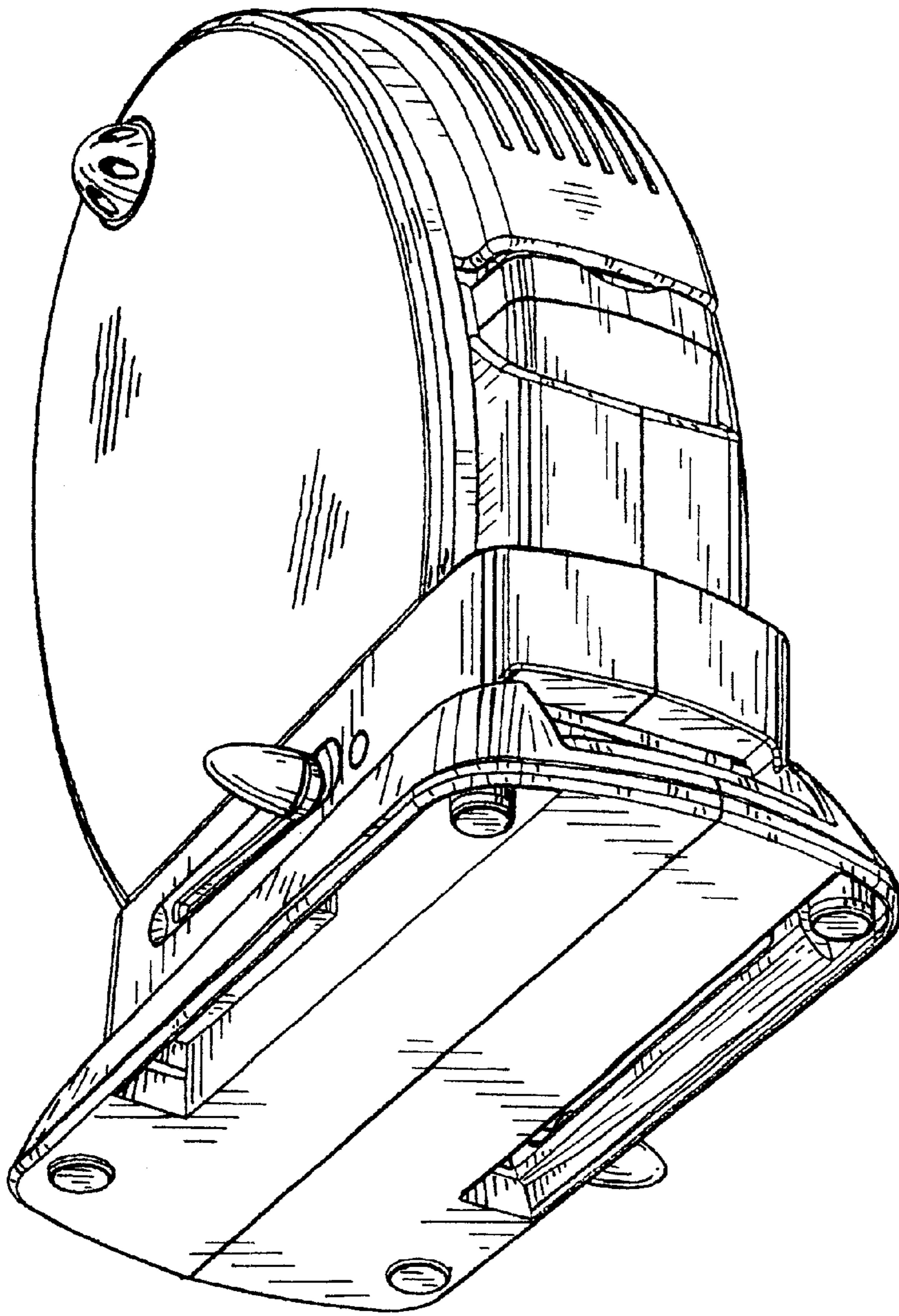


Fig. 3

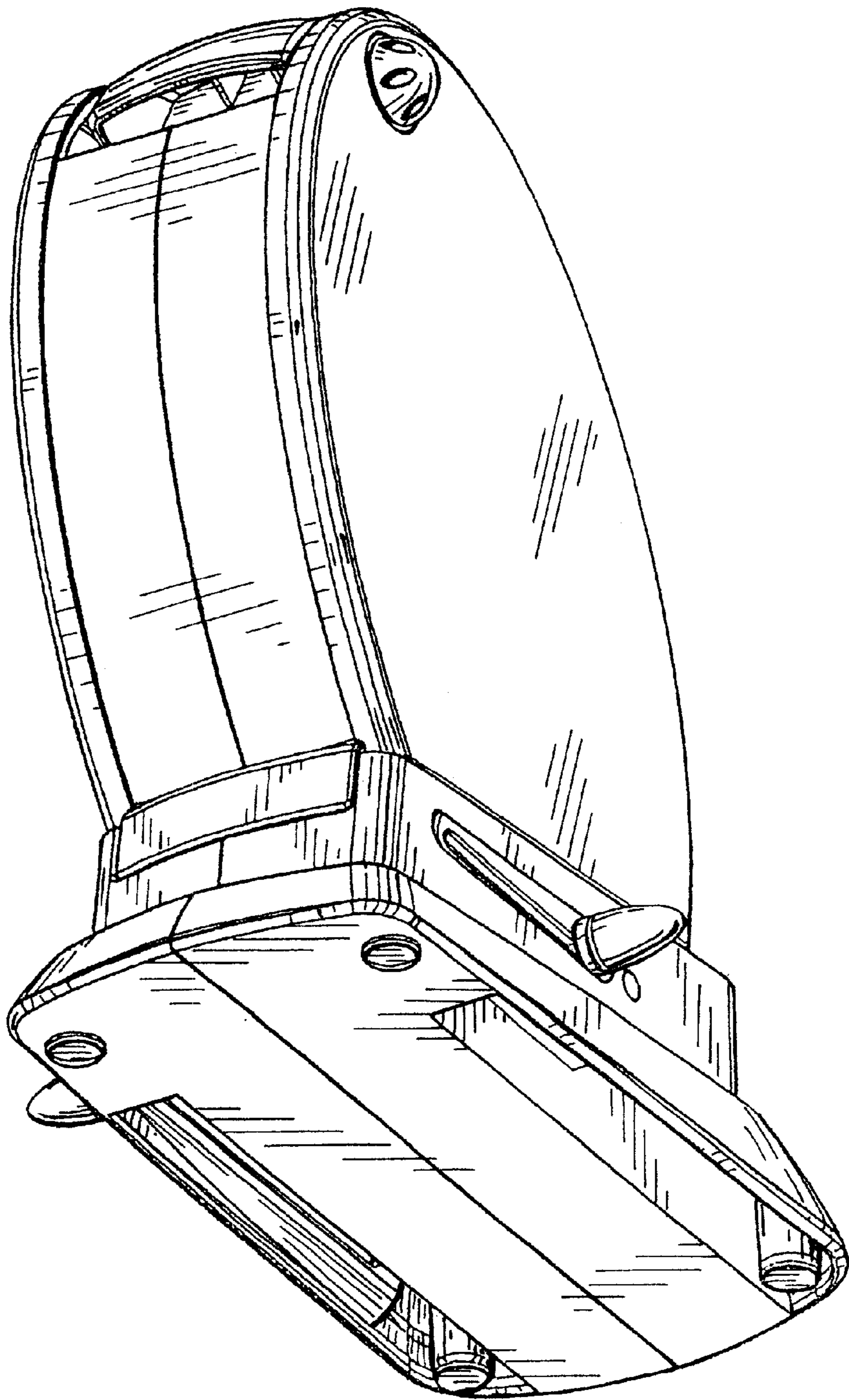


Fig. 4

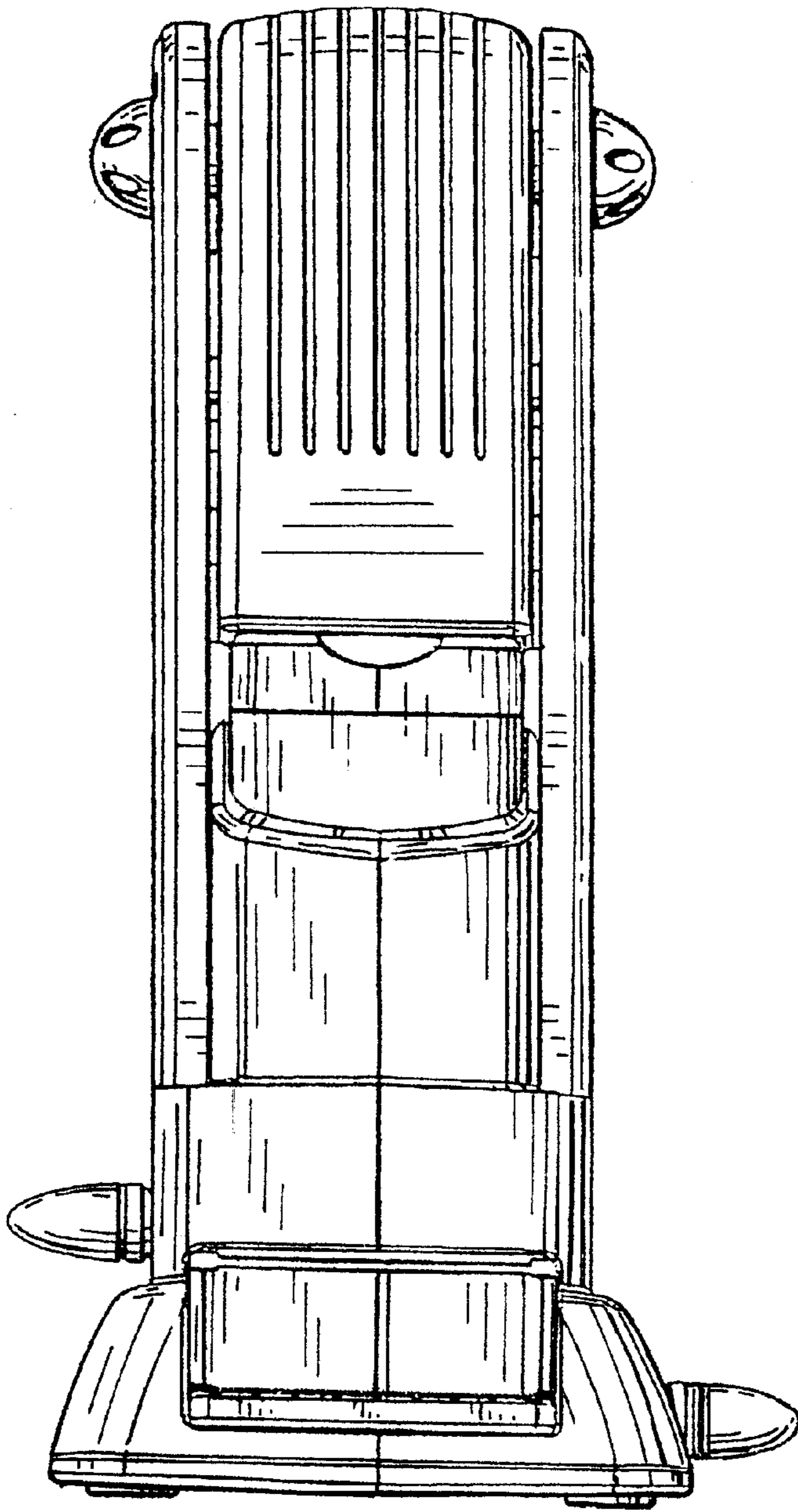


Fig. 5

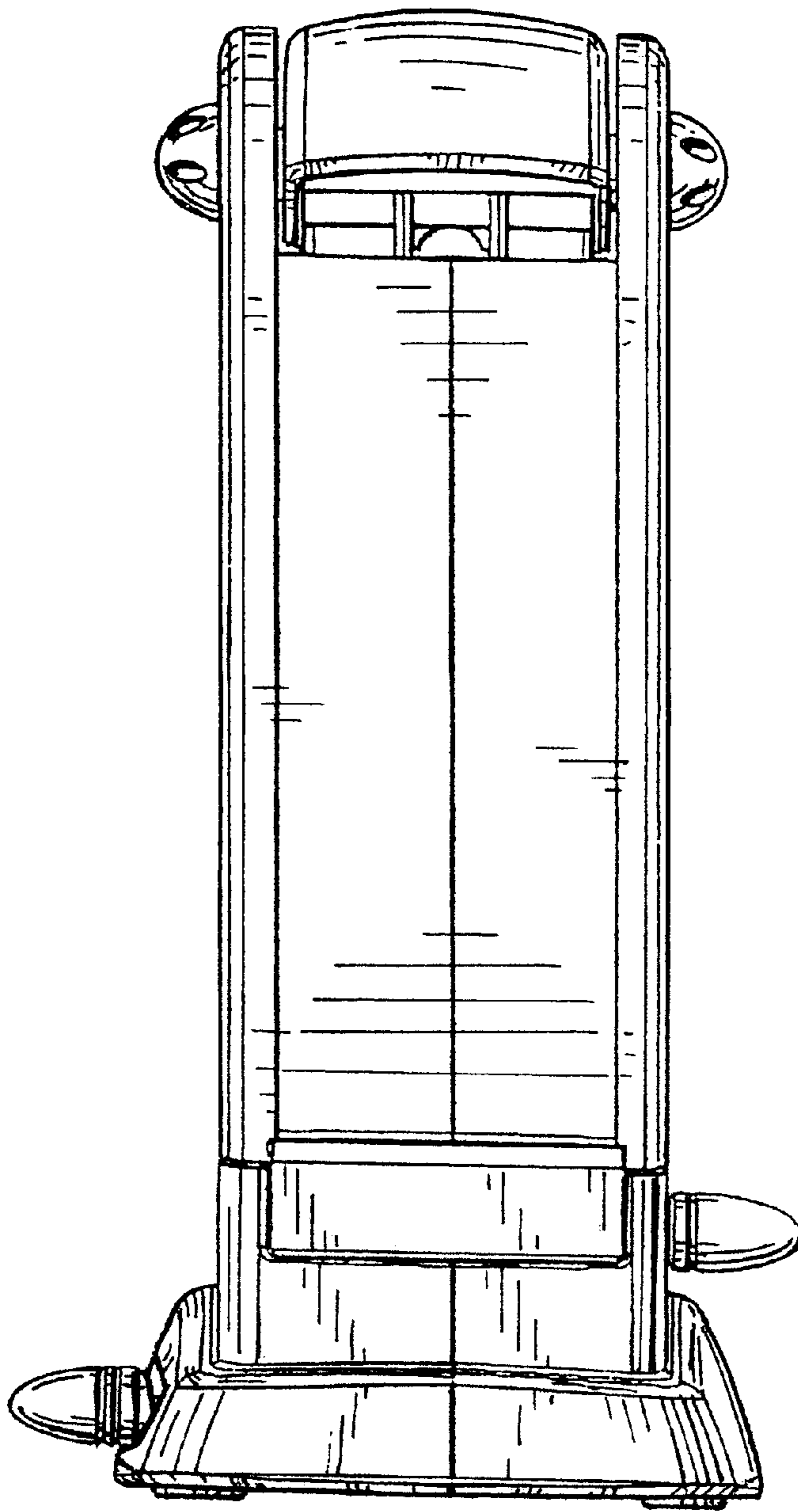


Fig. 6

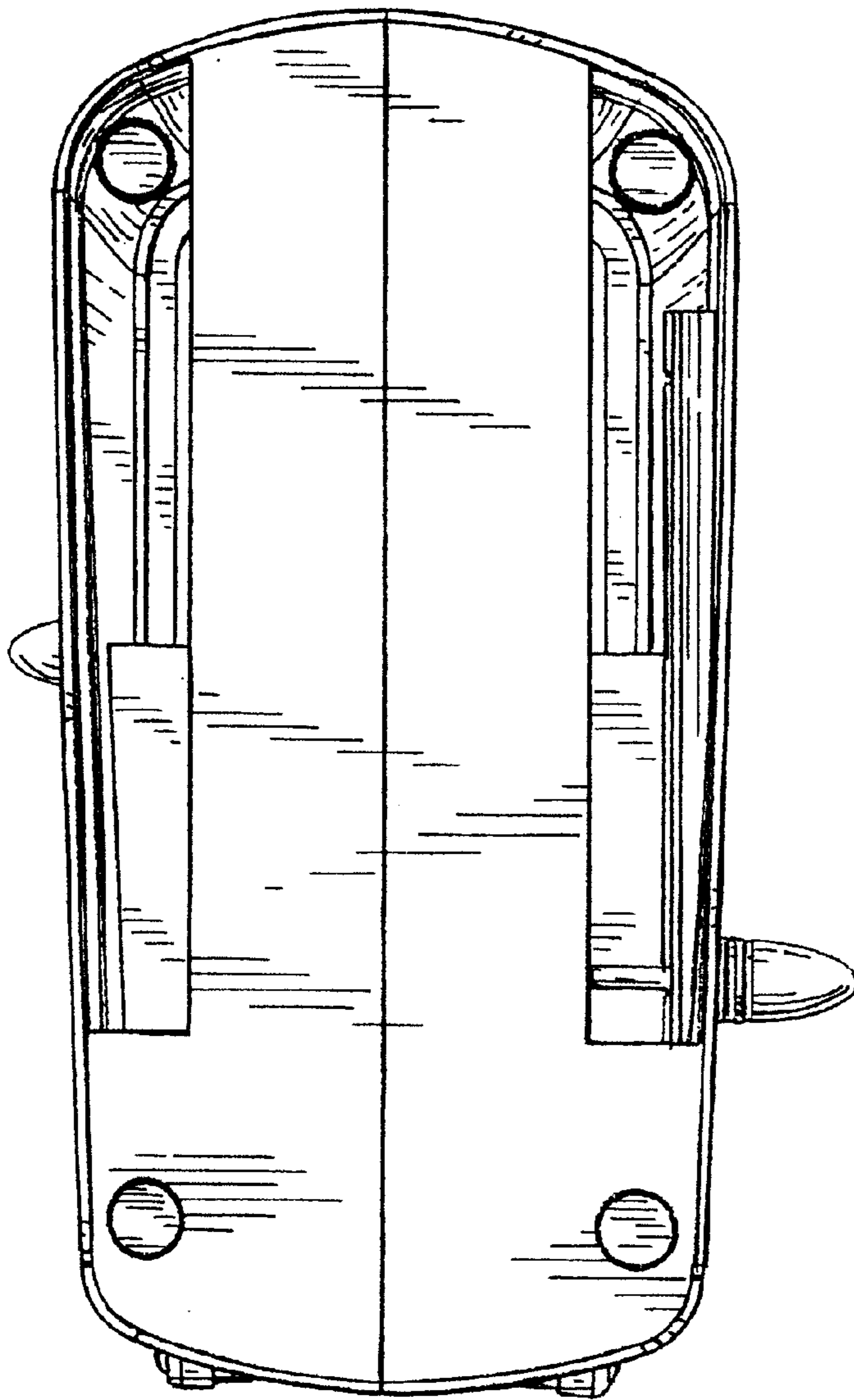


Fig. 7

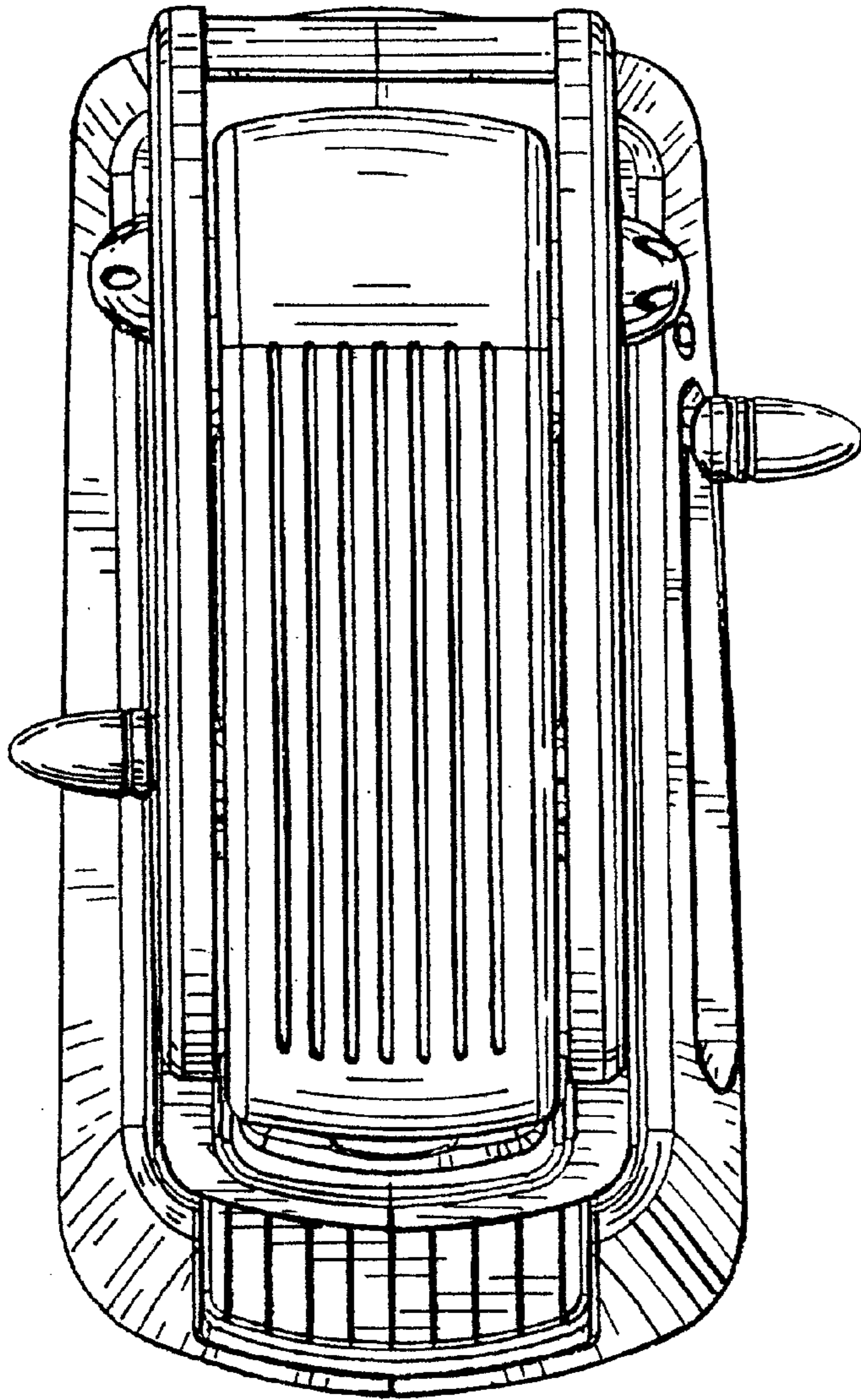


Fig. 8

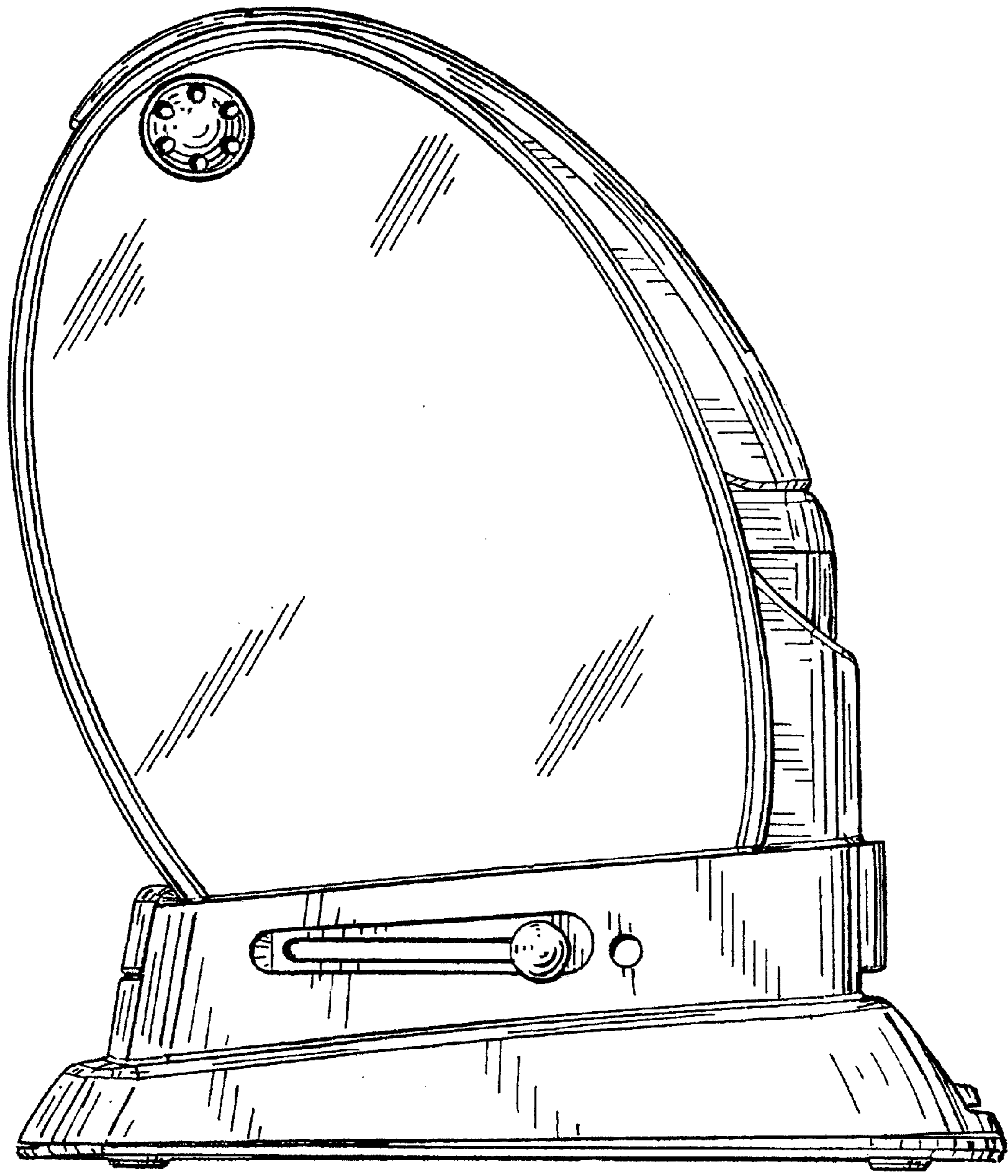


Fig. 9

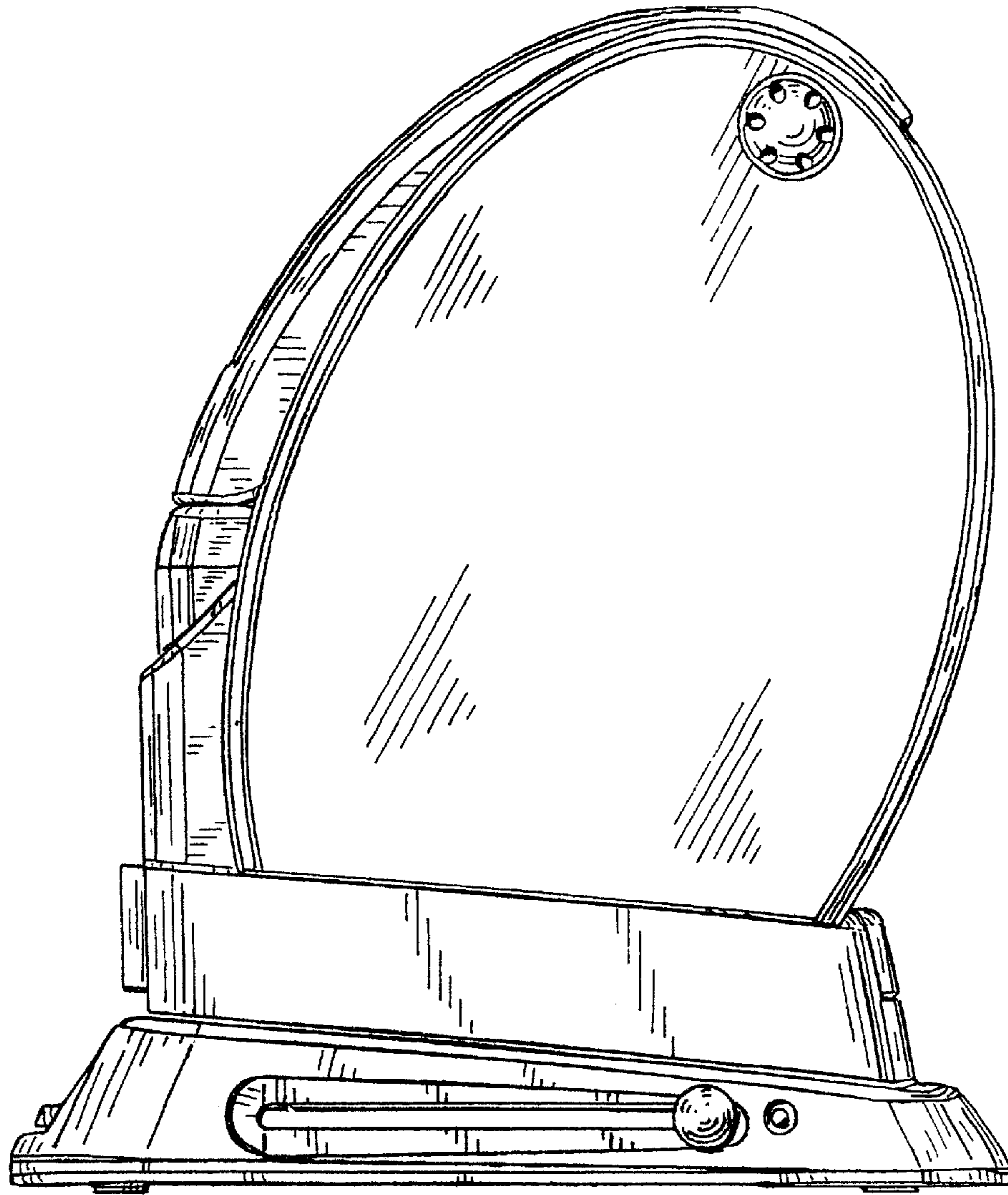


Fig. 10