



US00D486697S

(12) **United States Design Patent**
Copeland

(10) **Patent No.: US D486,697 S**

(45) **Date of Patent: ** *Feb. 17, 2004**

(54) **CUP**

(75) **Inventor: Bruce William Copeland**, Stone Mountain, GA (US)

(73) **Assignee: Williams Industries, Inc.**, Shelbyville, IN (US)

(*) **Notice:** This patent is subject to a terminal disclaimer.

(**) **Term: 14 Years**

(21) **Appl. No.: 29/156,386**

(22) **Filed: Feb. 28, 2002**

Related U.S. Application Data

(63) Continuation-in-part of application No. 29/154,900, filed on Jan. 30, 2002.

(51) **LOC (7) Cl. 07-01**

(52) **U.S. Cl. D7/536**

(58) **Field of Search D7/500, 509-537, D7/396.1-396.6; 229/400, 402; 206/217**

(56) **References Cited**

U.S. PATENT DOCUMENTS

5,588,561 A * 12/1996 Ness 222/129
D387,620 S * 12/1997 Trombly D7/510

D418,013 S * 12/1999 Fujii D7/510
D420,254 S * 2/2000 Park D7/510
D433,877 S * 11/2000 Bickert et al. D7/536
D434,275 S * 11/2000 Ginuntoli et al. D7/533
D447,005 S * 8/2001 Trombly D7/536
RE37,773 E * 7/2002 Trombley D7/511
D462,575 S * 9/2002 Gluck D7/510
D462,578 S * 9/2002 Janky D7/533
D462,875 S * 9/2002 Norris et al. D7/533
D467,124 S * 12/2002 Janky D7/533
6,511,031 B2 * 1/2003 Lin 248/346.11

* cited by examiner

Primary Examiner—Caron D. Veynar

(74) *Attorney, Agent, or Firm*—Barnes & Thornburg

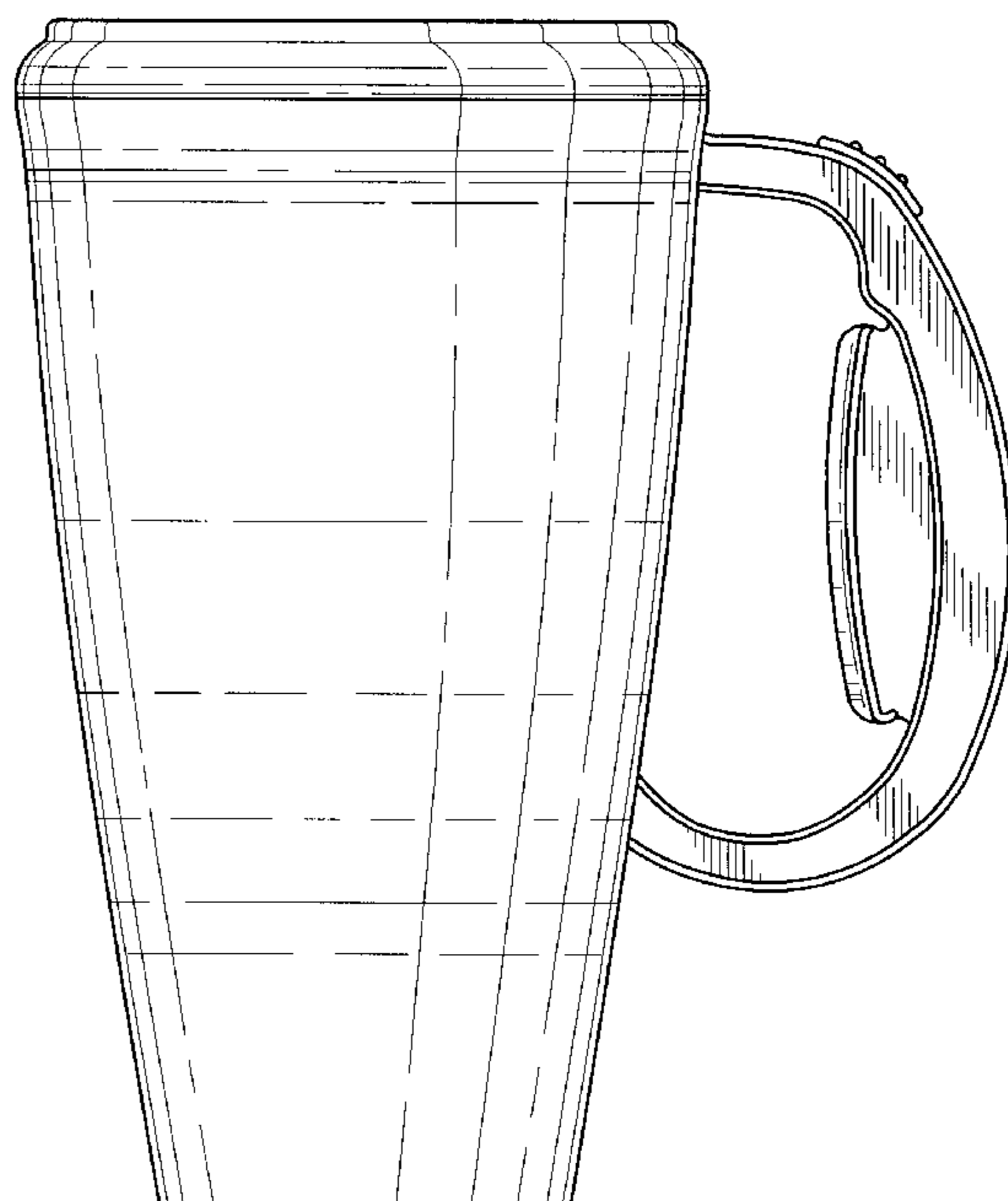
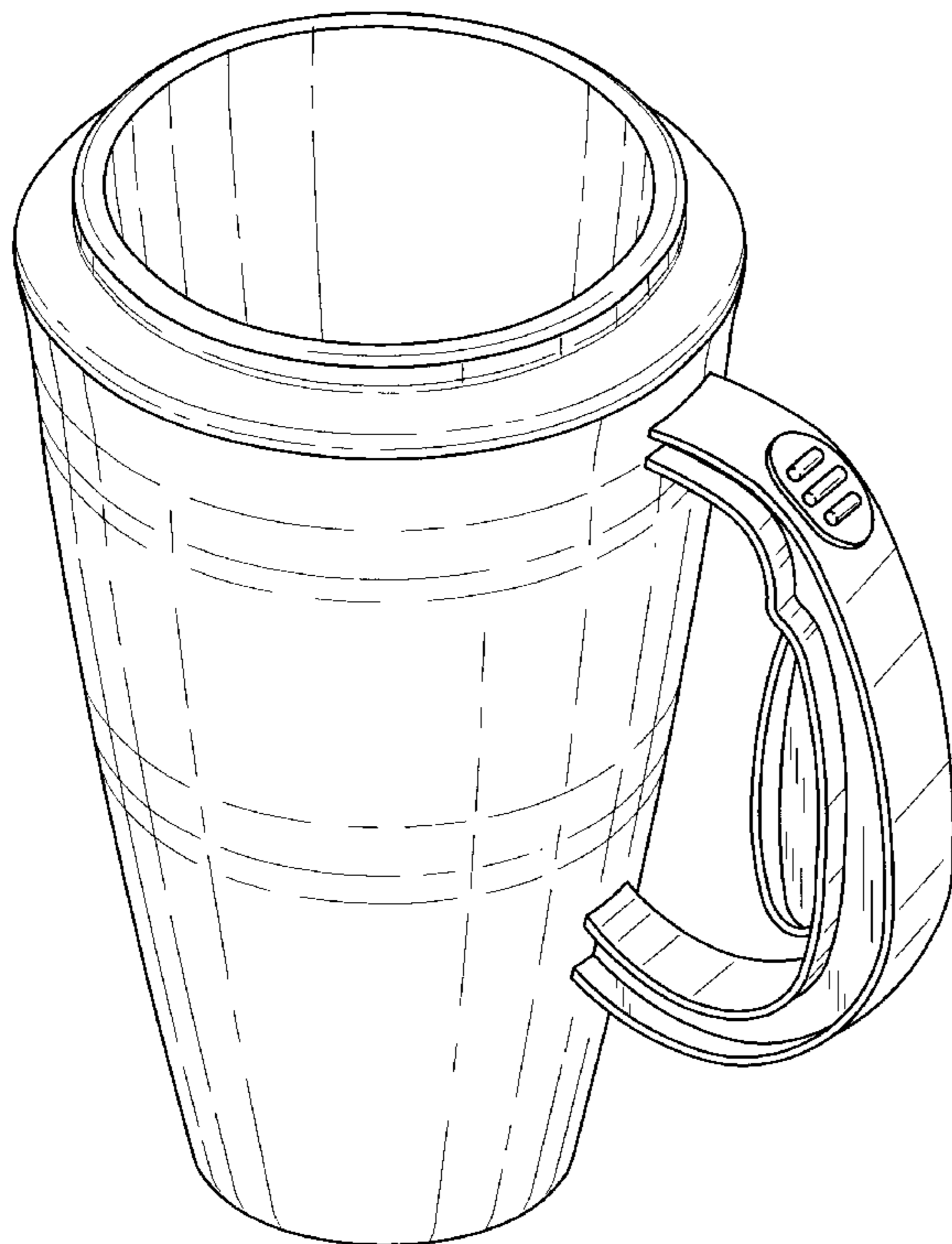
(57) **CLAIM**

The ornamental design for a cup, as shown and described.

DESCRIPTION

FIG. 1 is a perspective view of a cup in accordance with my design;
FIG. 2 is a left view thereof;
FIG. 3 is a right view thereof;
FIG. 4 is a front view thereof;
FIG. 5 is a rear view thereof;
FIG. 6 is a top view thereof; and,
FIG. 7 is a bottom view thereof.

1 Claim, 7 Drawing Sheets



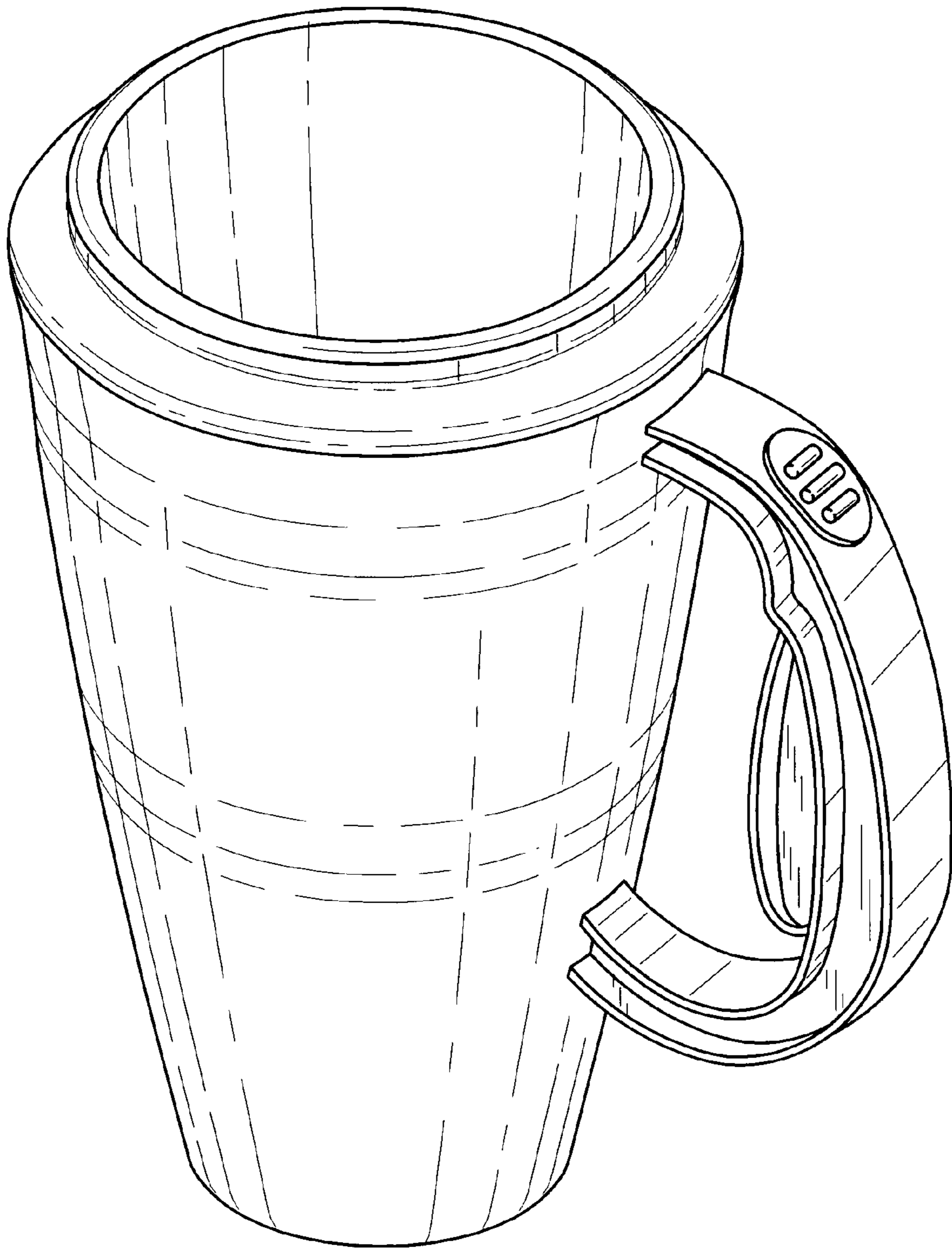


Fig. 1

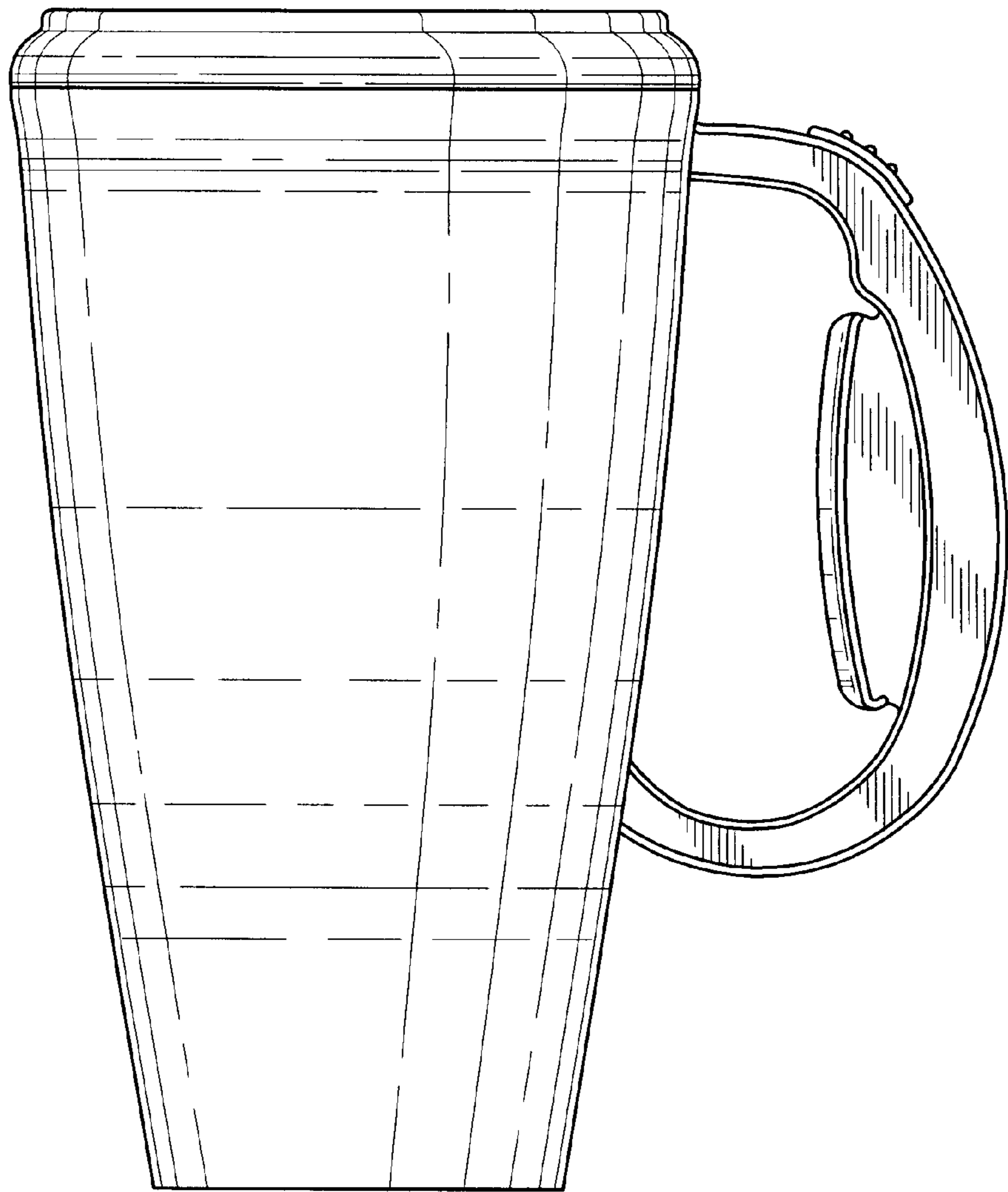


Fig. 2

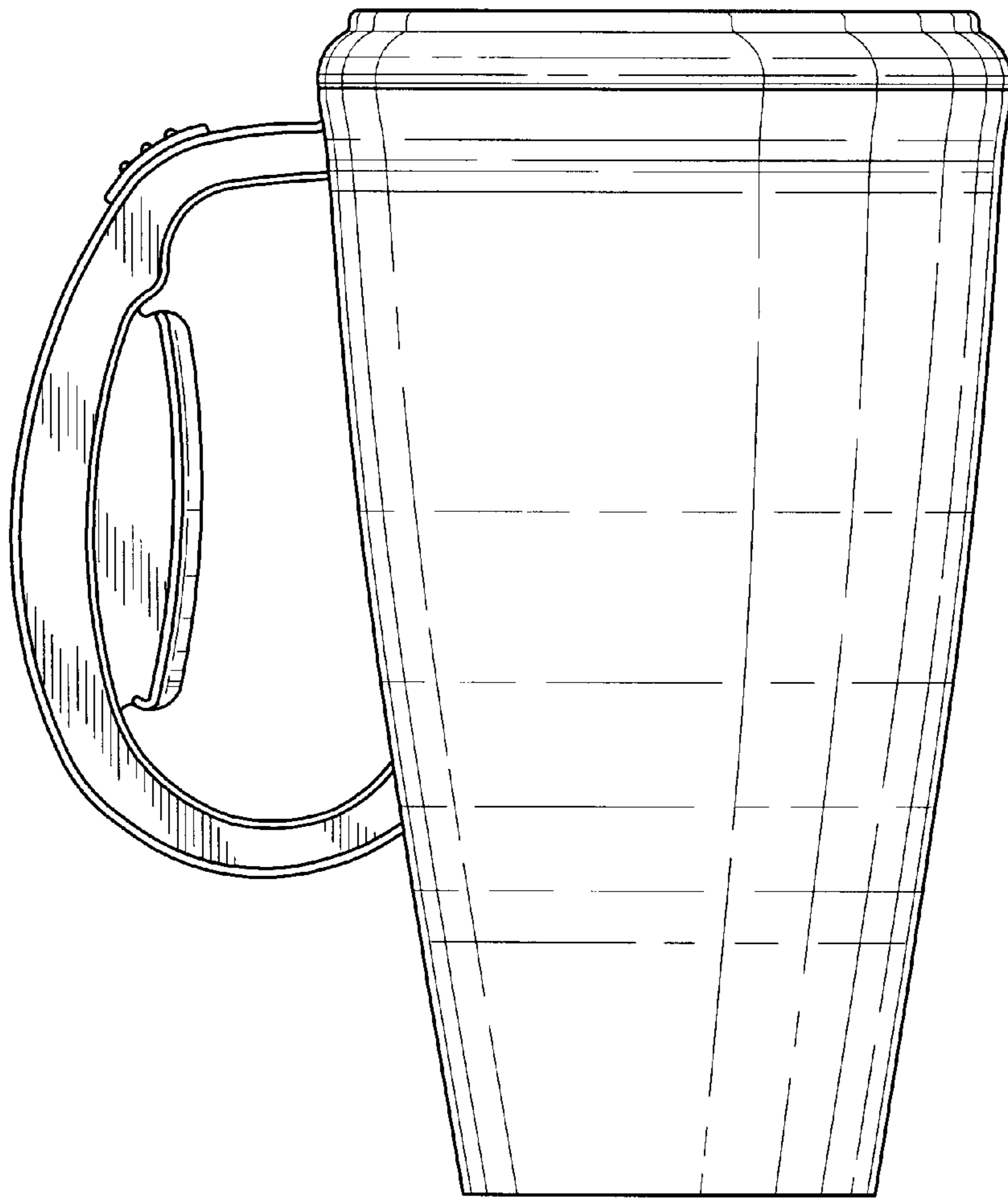


Fig. 3

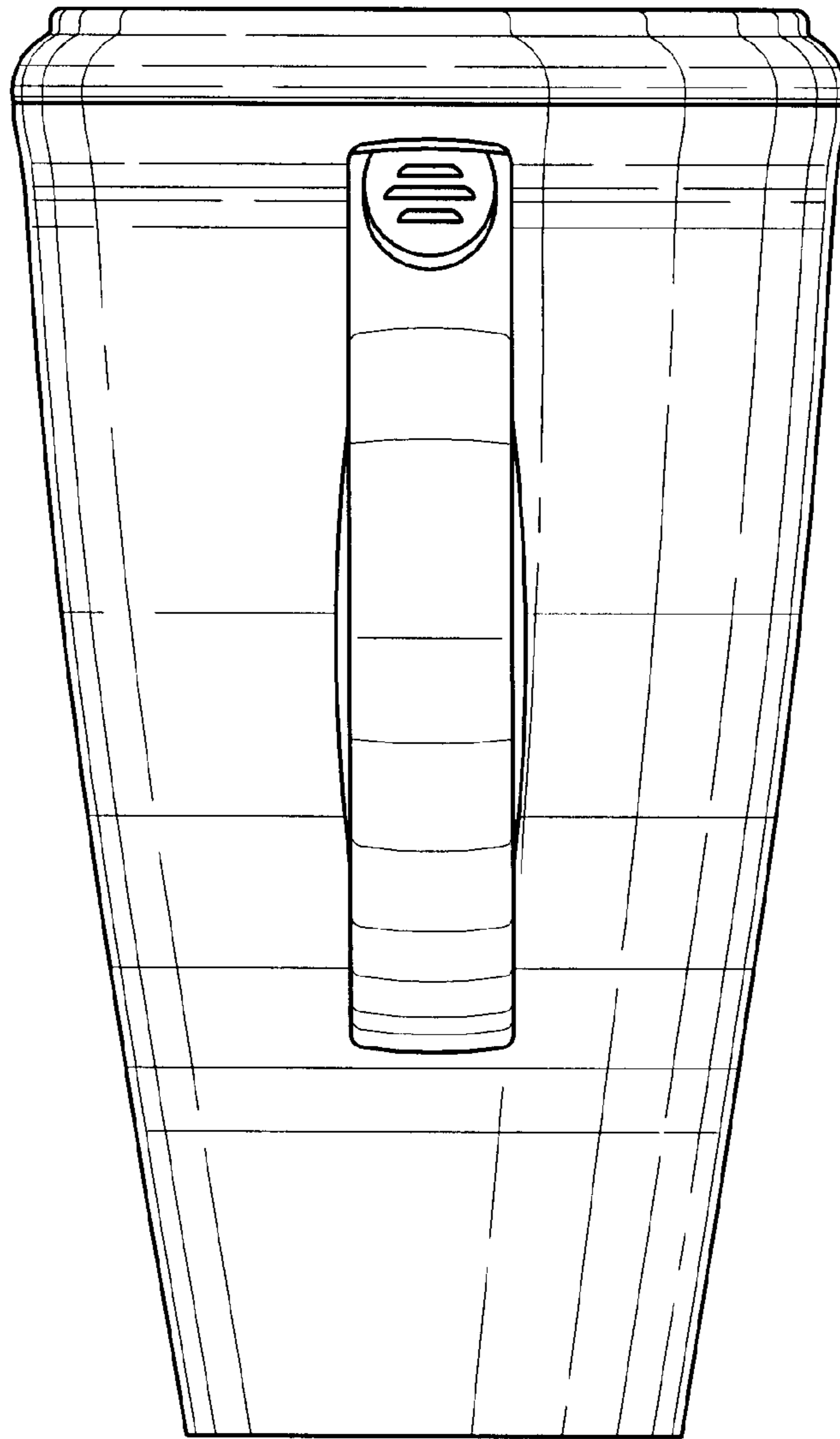


Fig. 4

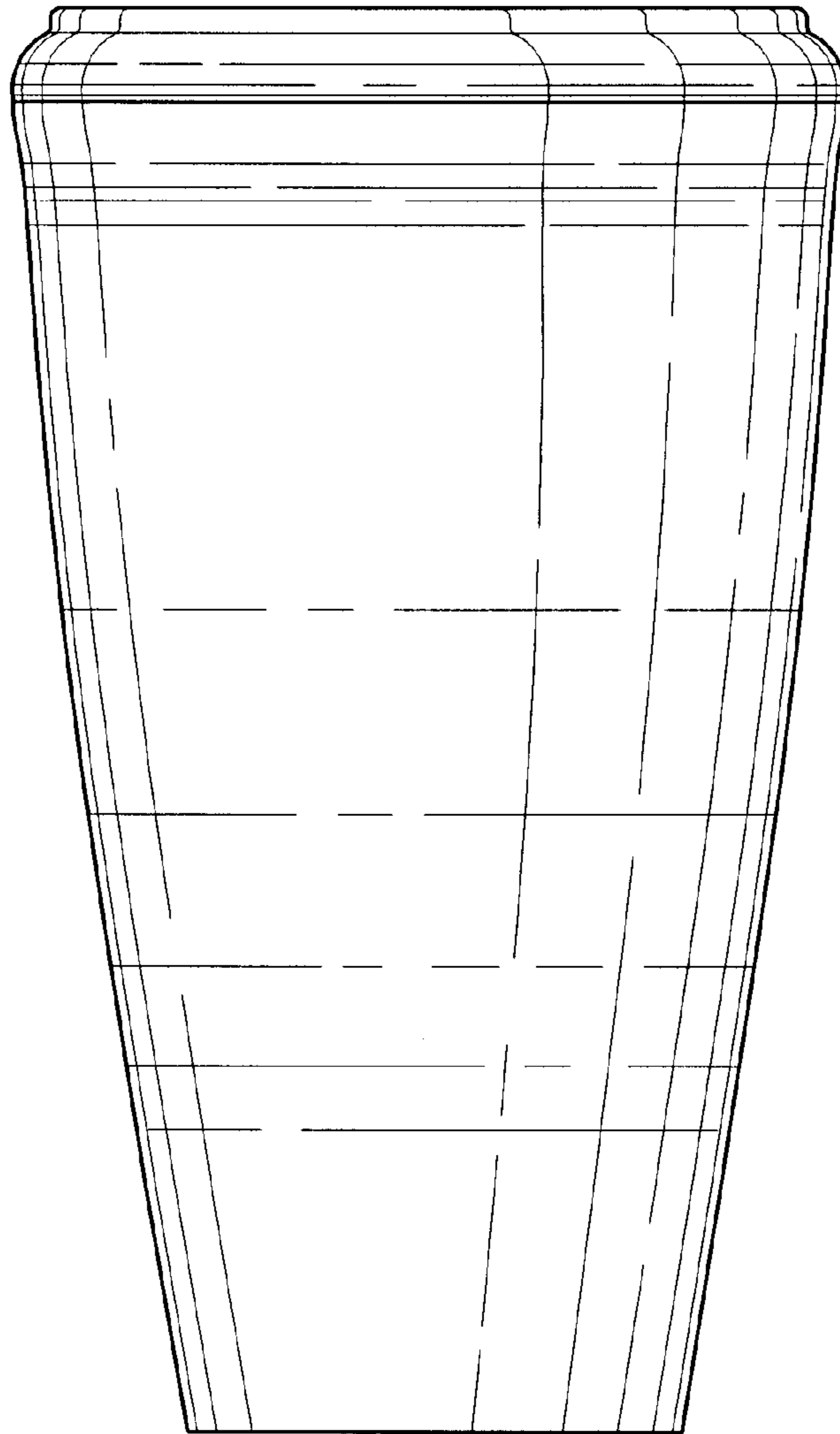


Fig. 5

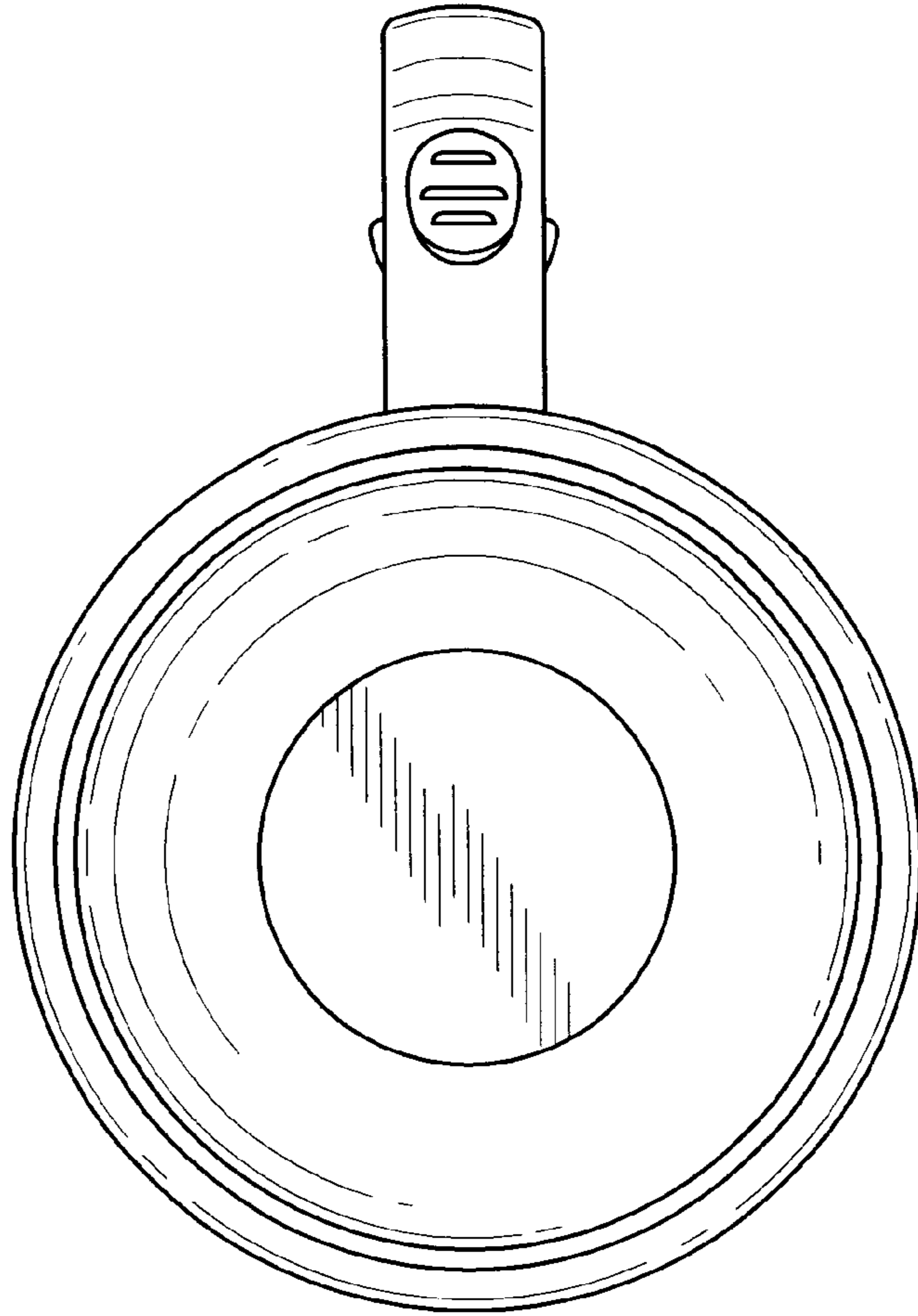


Fig. 6

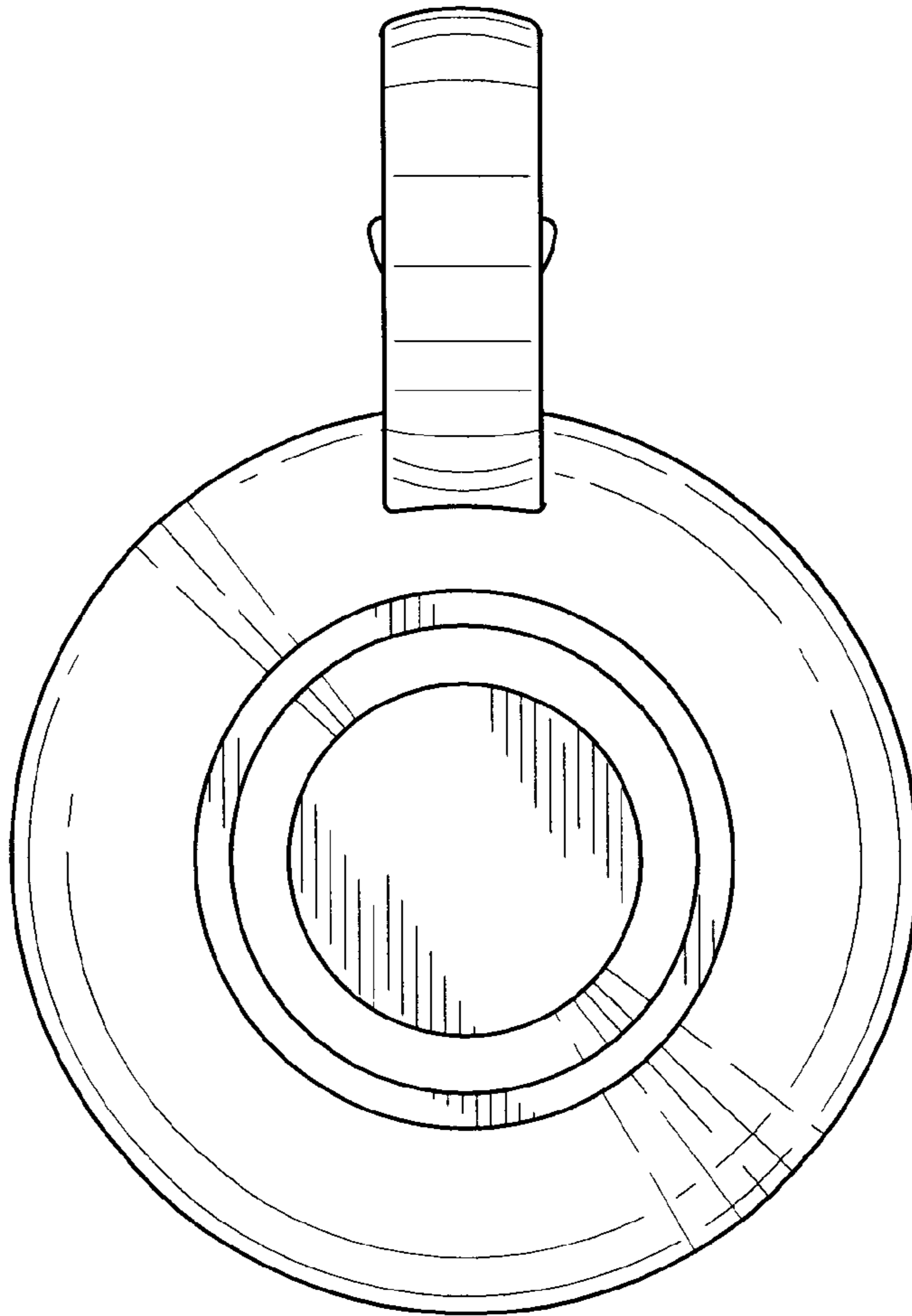


Fig. 7