



US00D486696S

(12) **United States Design Patent**
McMullin

(10) **Patent No.:** **US D486,696 S**

(45) **Date of Patent:** **** Feb. 17, 2004**

(54) **DRINKING VESSEL**

(75) Inventor: **Kevin S. McMullin**, Dove Canyon, CA (US)

(73) Assignee: **Destiny Plastics, Inc.**, Dove Canyon, CA (US)

(**) Term: **14 Years**

(21) Appl. No.: **29/183,670**

(22) Filed: **Jun. 16, 2003**

Related U.S. Application Data

(62) Division of application No. 29/160,395, filed on May 9, 2002.

(51) **LOC (7) Cl.** **07-01**

(52) **U.S. Cl.** **D7/533**

(58) **Field of Search** D7/500, 509-537, D7/396.1-396.6; 229/400-405; 206/217, 515, 520; 220/670, 703-719; 362/84, 101; D34/1

(56) **References Cited**

U.S. PATENT DOCUMENTS

D75,525 S * 6/1928 Sebring D7/535

D299,605 S * 1/1989 Durand D7/535

D365,248 S * 12/1995 Falzarano D7/533

D371,937 S * 7/1996 Peugeot et al. D7/536

D372,168 S * 7/1996 Seager D7/536

D461,370 S * 8/2002 Seager D7/536

* cited by examiner

Primary Examiner—Caron D. Veynar

(74) *Attorney, Agent, or Firm*—Francis C. Hand; Carella, Byrne, Bain et al.

(57) **CLAIM**

The ornamental design for a drinking vessel, as shown and described.

DESCRIPTION

FIG. 1 illustrates a perspective view of a drinking vessel employing the ornamental design in accordance with the invention;

FIG. 2 illustrates a side elevation view of the drinking vessel of FIG. 1 (each side being the same as that shown with the exception of the position of the handle);

FIG. 3 illustrates a top view of the drinking vessel of FIG. 1; and,

FIG. 4 illustrates a bottom view of the drinking vessel of FIG. 1.

1 Claim, 2 Drawing Sheets

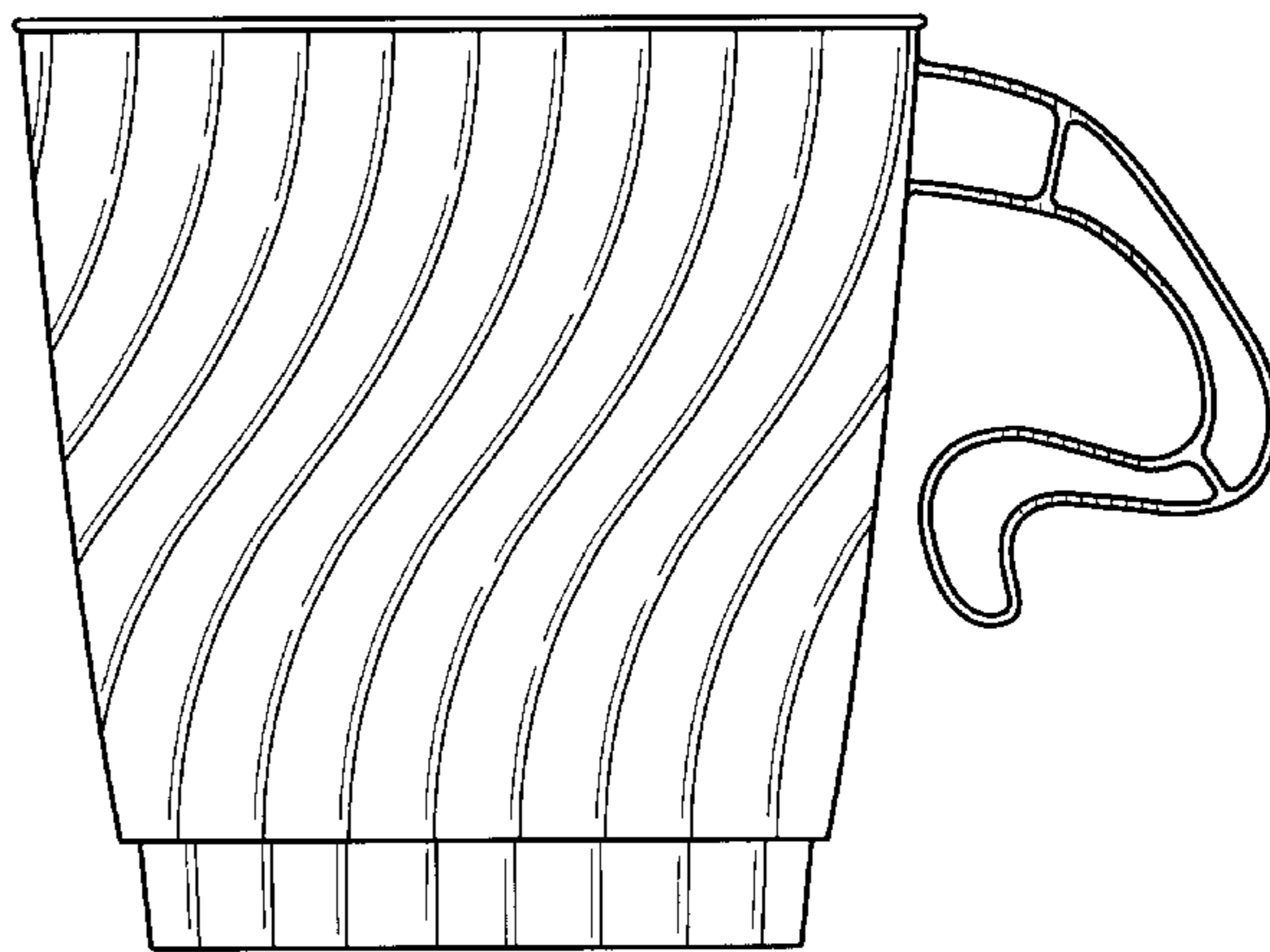
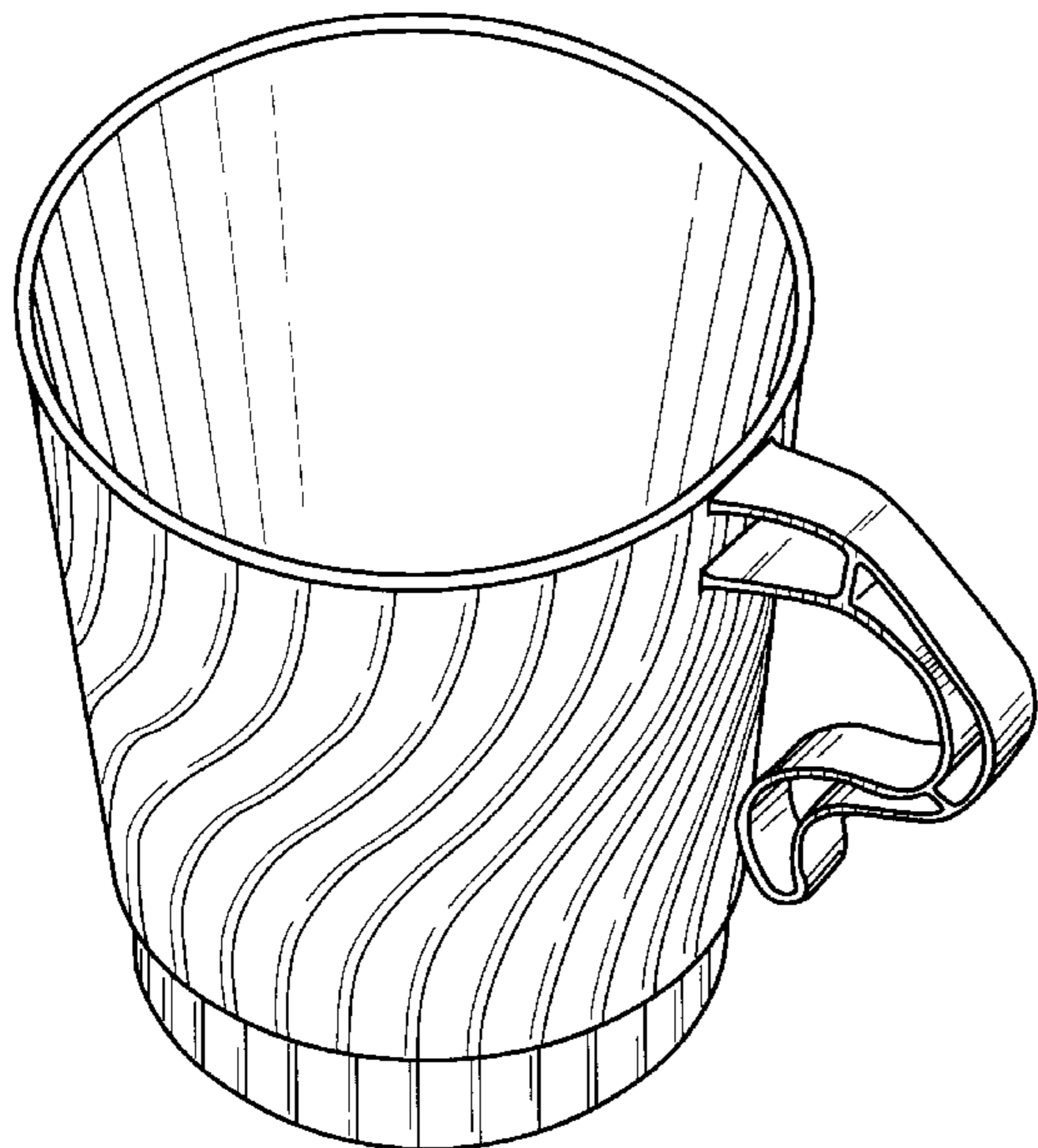


FIG. 1

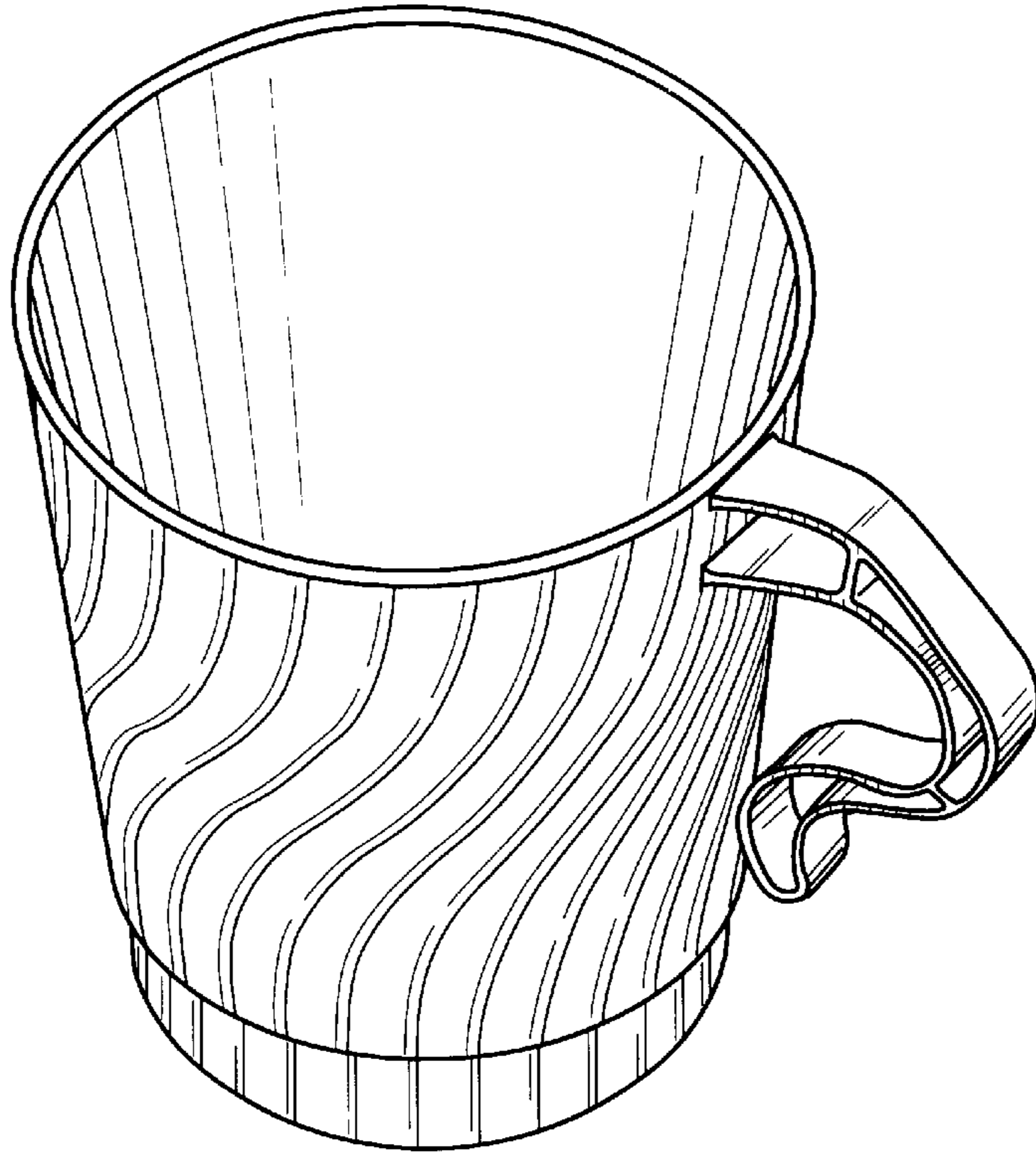


FIG. 2

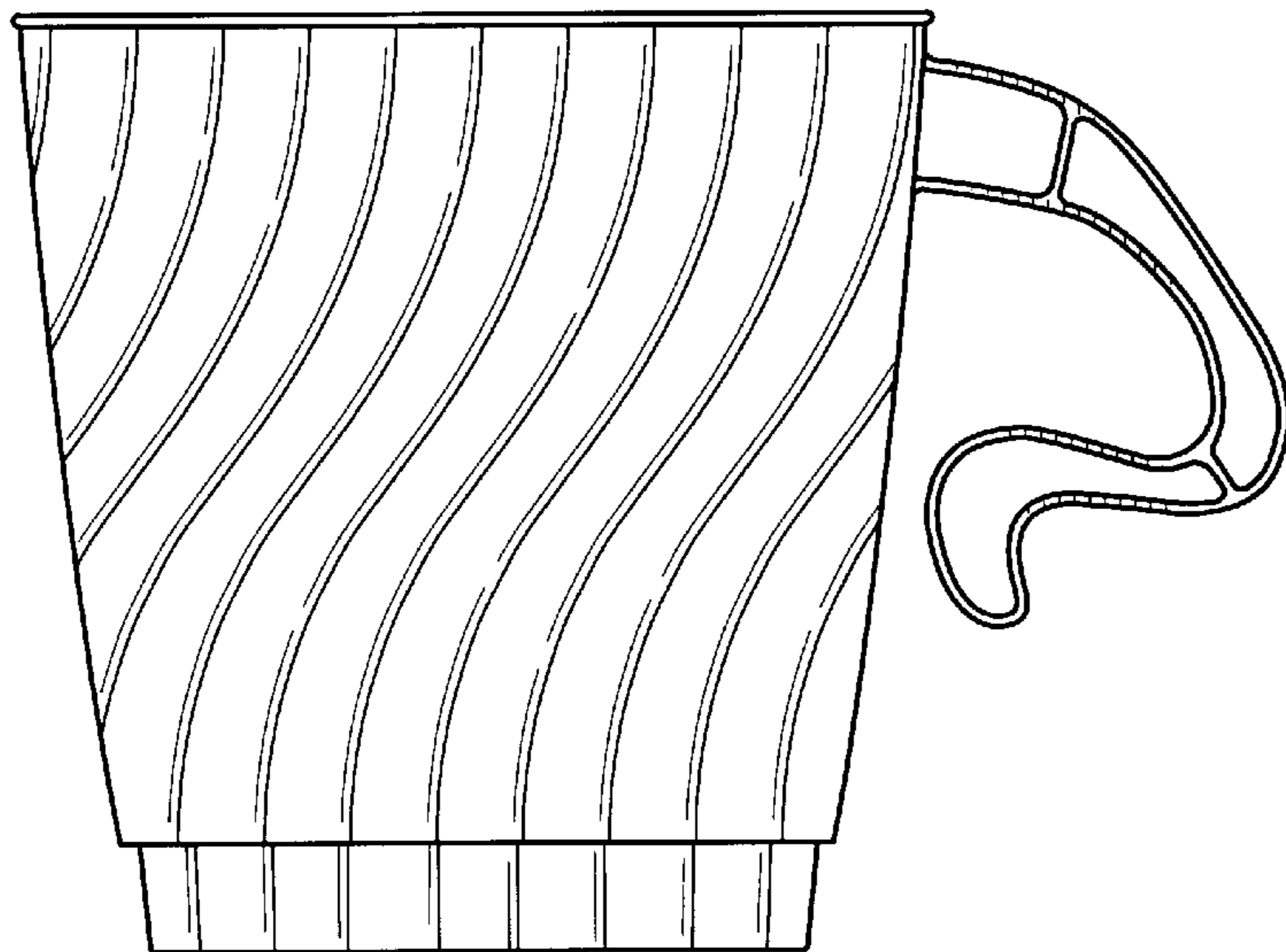


FIG. 3

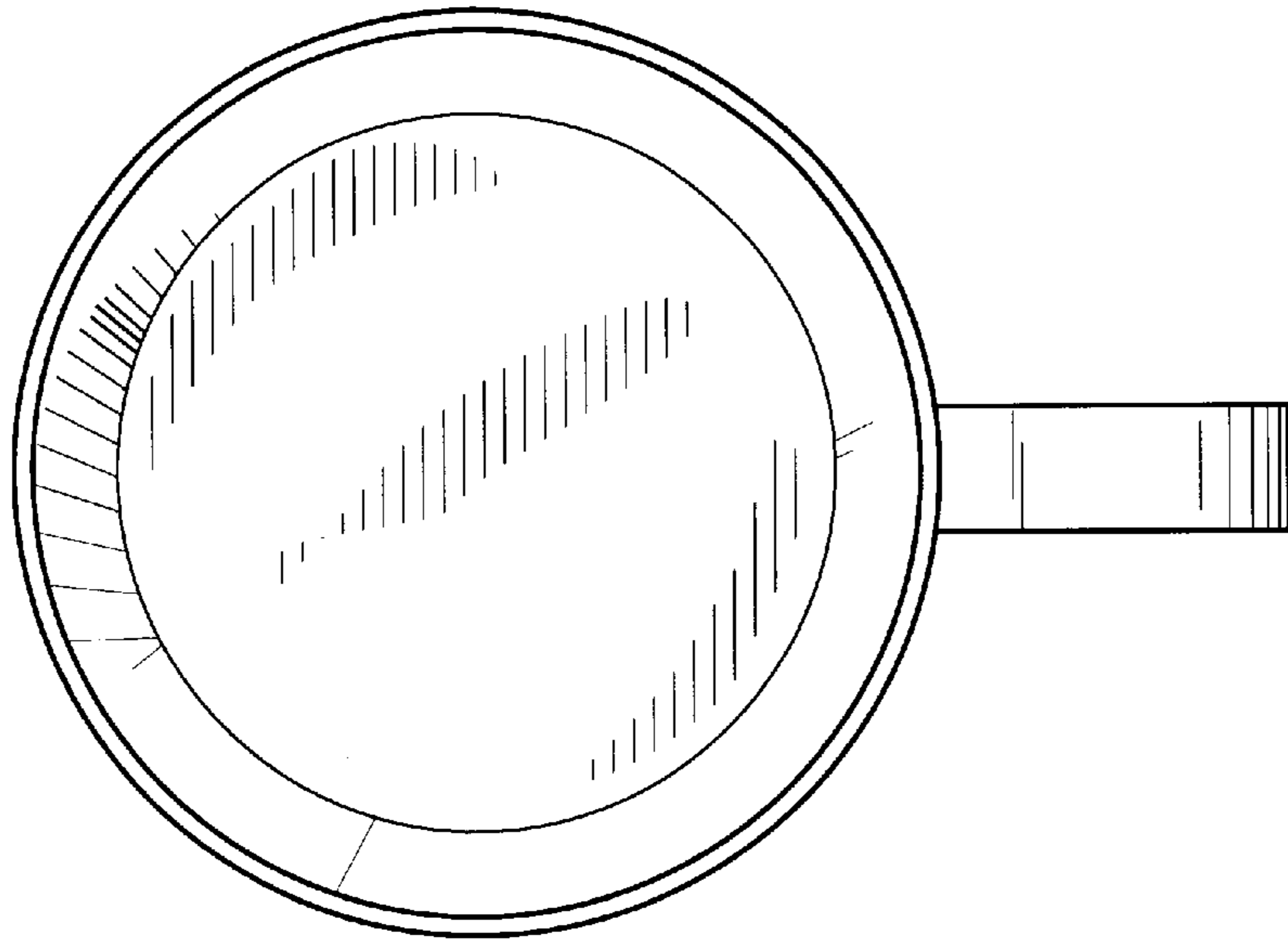


FIG. 4

