



US00D486694S

(12) **United States Design Patent**
McMullin

(10) **Patent No.:** **US D486,694 S**

(45) **Date of Patent:** **** Feb. 17, 2004**

(54) **DRINKING VESSEL**

D423,879 S * 5/2000 Lin D7/529
D474,074 S * 5/2003 Hou D7/531

(75) Inventor: **Kevin S. McMullin**, Dove Canyon, CA (US)

* cited by examiner

(73) Assignee: **Destiny Plastics, Inc.**, Dove Canyon, CA (US)

Primary Examiner—Caron D. Veynar
(74) *Attorney, Agent, or Firm*—Francis C. Hand; Carella, Byrne, Bain et al.

(**) Term: **14 Years**

(57) **CLAIM**

(21) Appl. No.: **29/183,672**

The ornamental design for a drinking vessel, as shown and described.

(22) Filed: **Jun. 16, 2003**

DESCRIPTION

Related U.S. Application Data

(62) Division of application No. 29/160,395, filed on May 9, 2002.

(51) **LOC (7) Cl.** **07-01**

(52) **U.S. Cl.** **D7/529**

(58) **Field of Search** D7/500, 509–537,
D7/396.1–396.6; 229/400–405; 206/217,
515, 520; 220/703–719, 670; 362/84, 101;
D34/1

FIG. 1 illustrates a perspective view of a drinking vessel employing the ornamental design in accordance with the invention;

FIG. 2 illustrates a side elevation view of the drinking vessel of FIG. 1 (each side being the same as that shown);

FIG. 3 illustrates a top view of the drinking vessel of FIG. 1;

FIG. 4 illustrates a bottom view of the drinking vessel of FIG. 1;

FIG. 5 illustrates a perspective view of a drinking vessel employing the ornamental design in accordance with the invention;

FIG. 6 illustrates a side elevation view of the drinking vessel of FIG. 5 (each side being the same as that shown);

FIG. 7 illustrates a top view of the drinking vessel of FIG. 5; and,

FIG. 8 illustrates a bottom view of the drinking vessel of FIG. 5.

(56) **References Cited**

U.S. PATENT DOCUMENTS

D90,120 S * 6/1933 McNash D7/523
D109,474 S * 5/1938 Connor D34/1
3,495,736 A * 2/1970 Ragetti 220/670
D372,398 S * 8/1996 Lamson D7/529
D383,942 S * 9/1997 Rench et al. D7/529
D422,841 S * 4/2000 Milford et al. D7/531

1 Claim, 4 Drawing Sheets

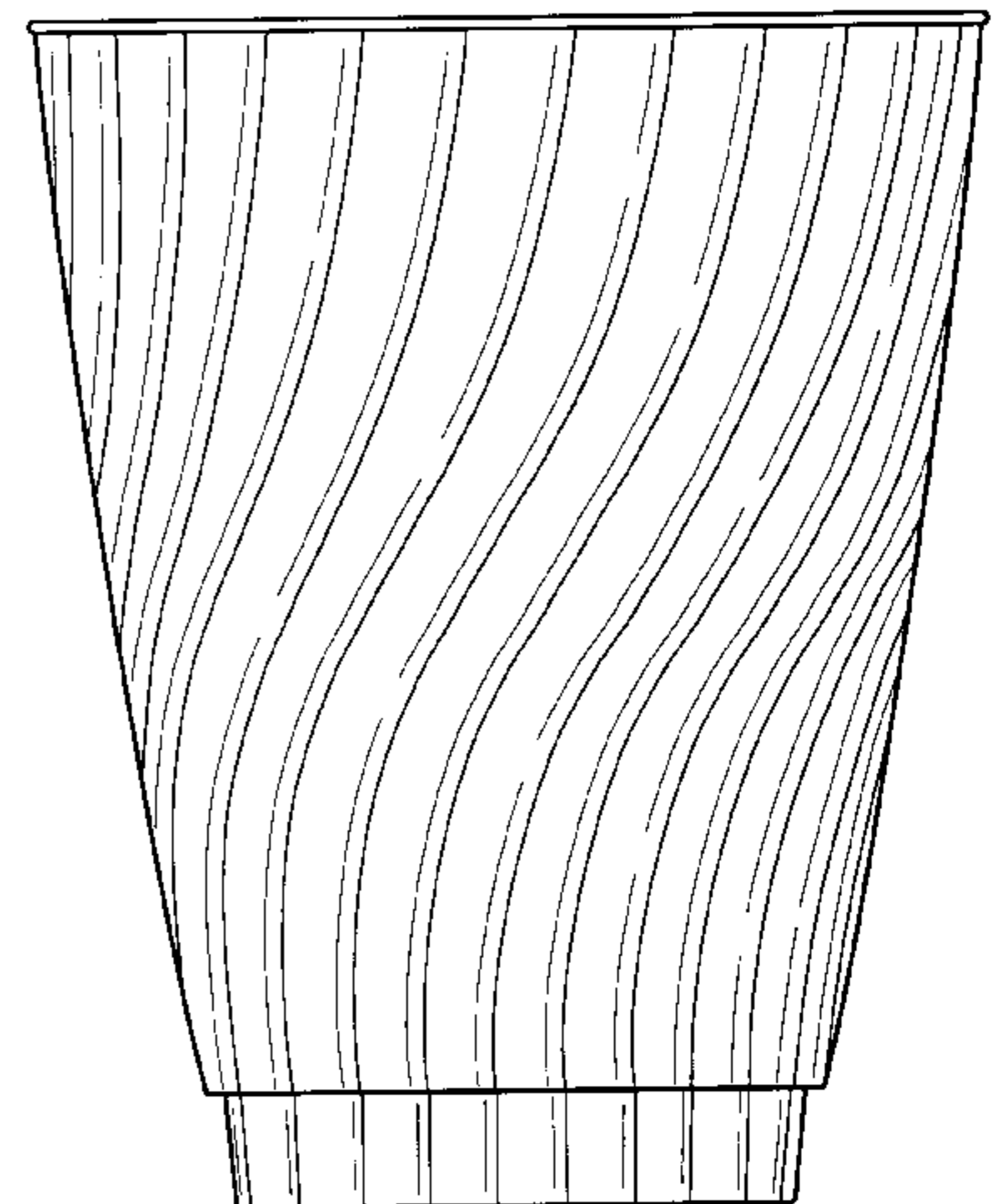
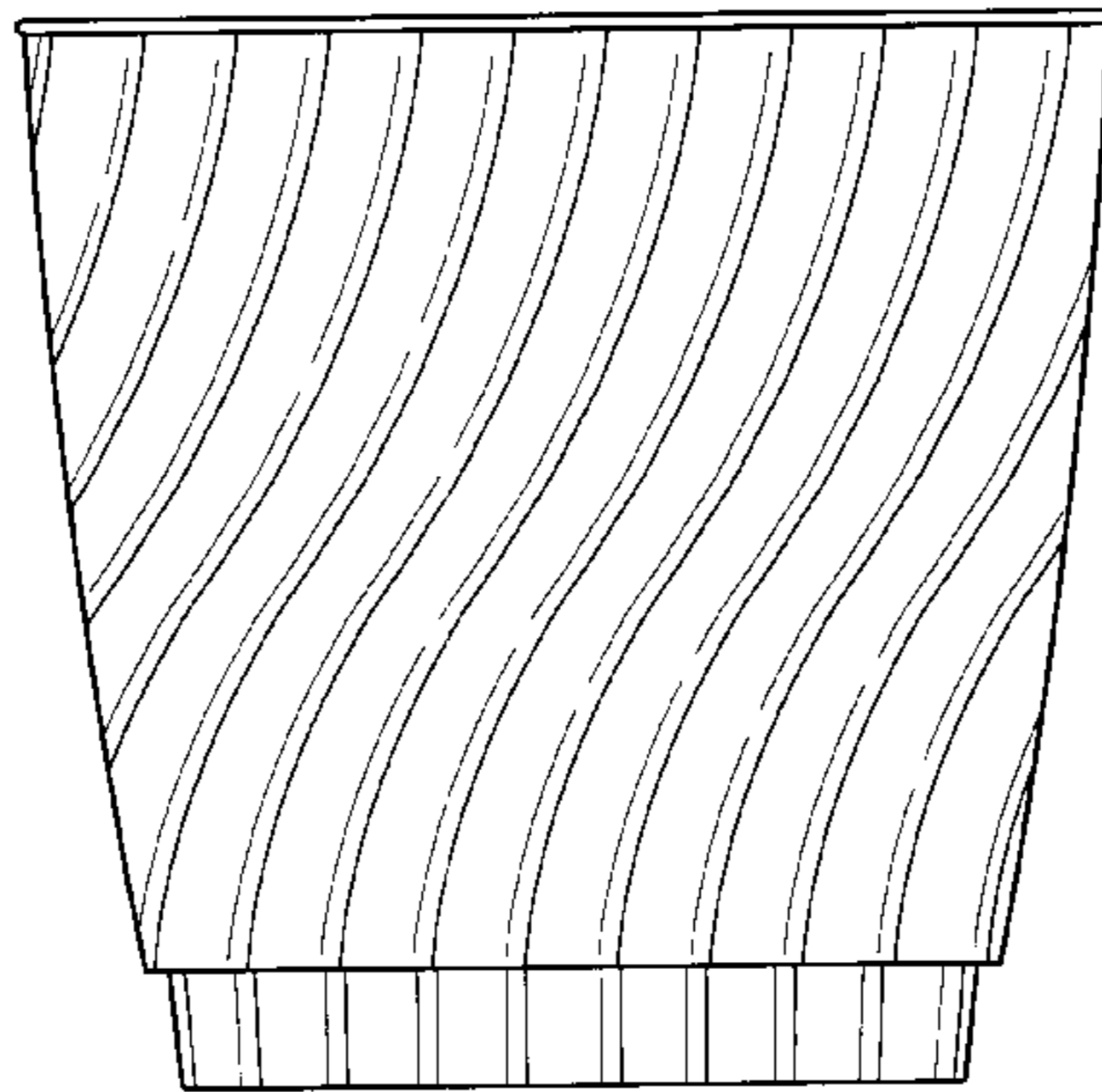
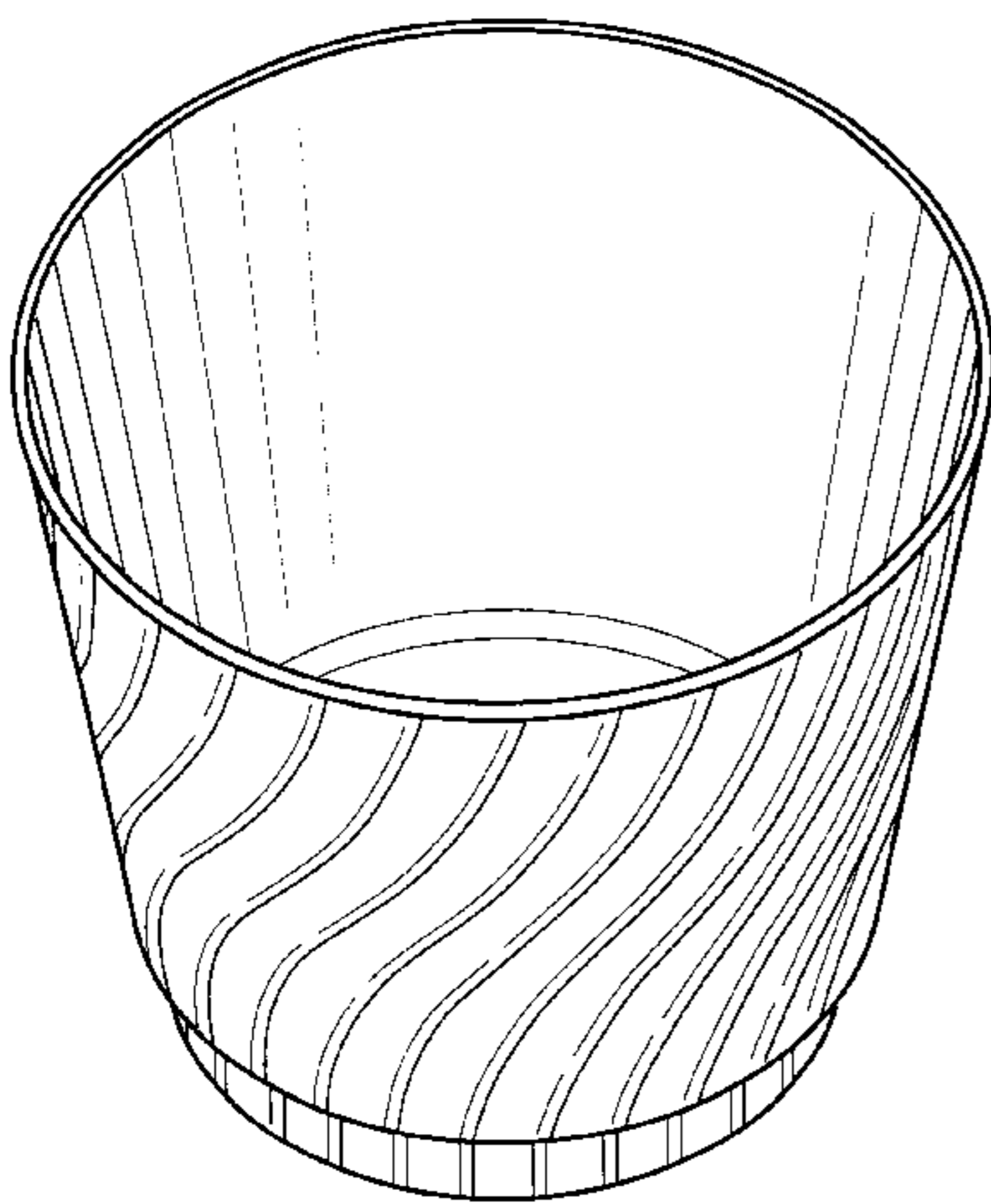


FIG. 1

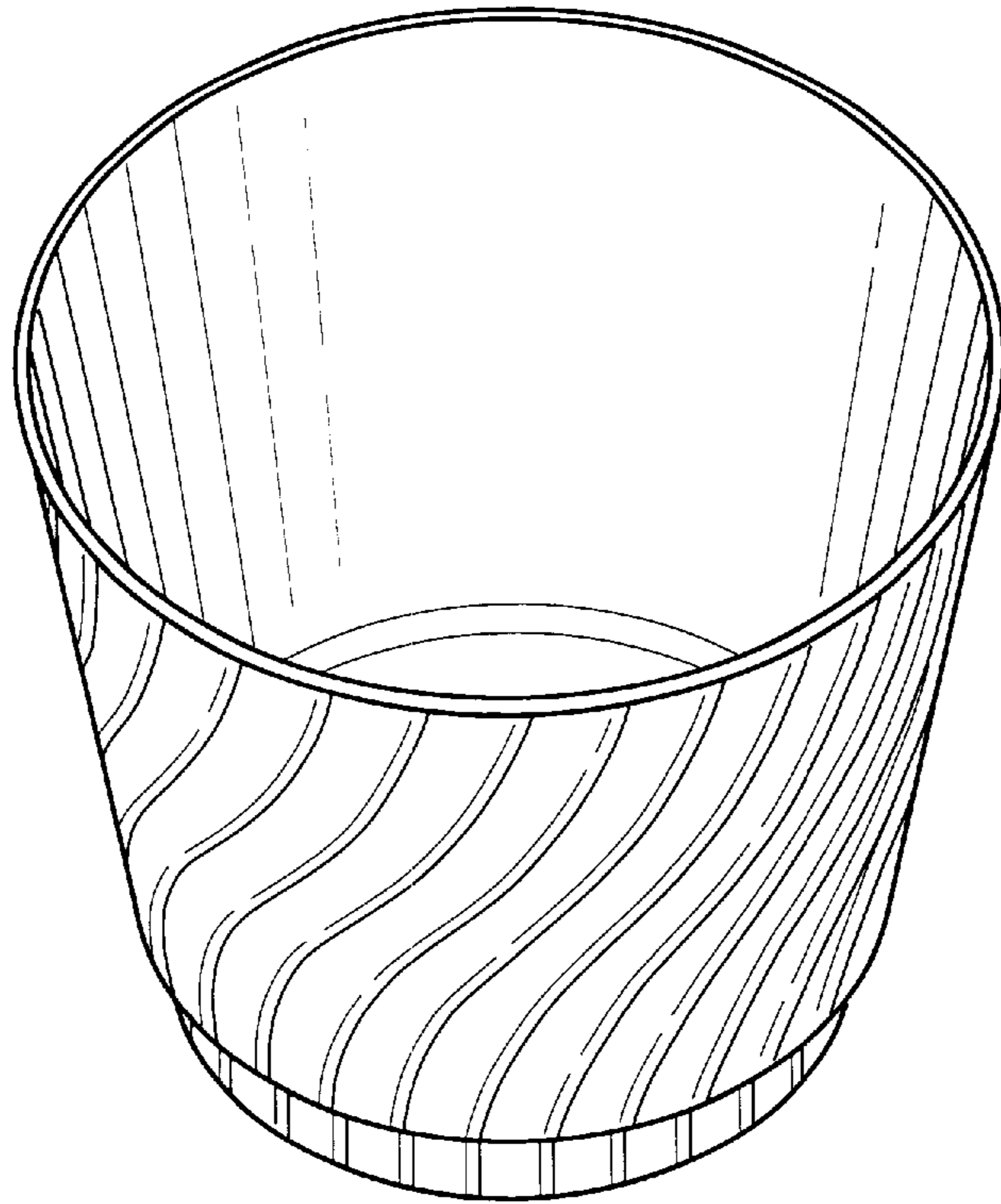


FIG. 2

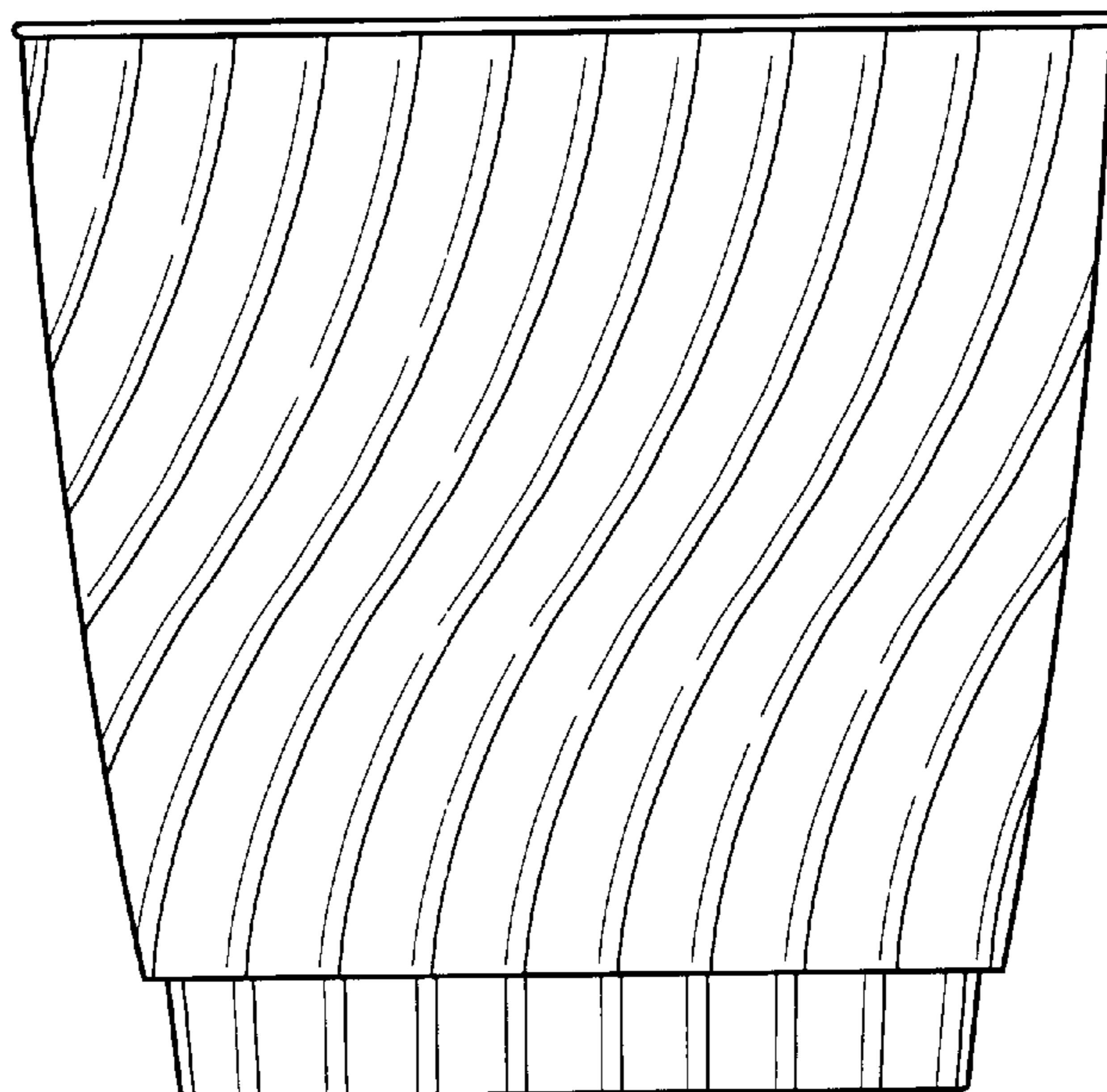


FIG. 3

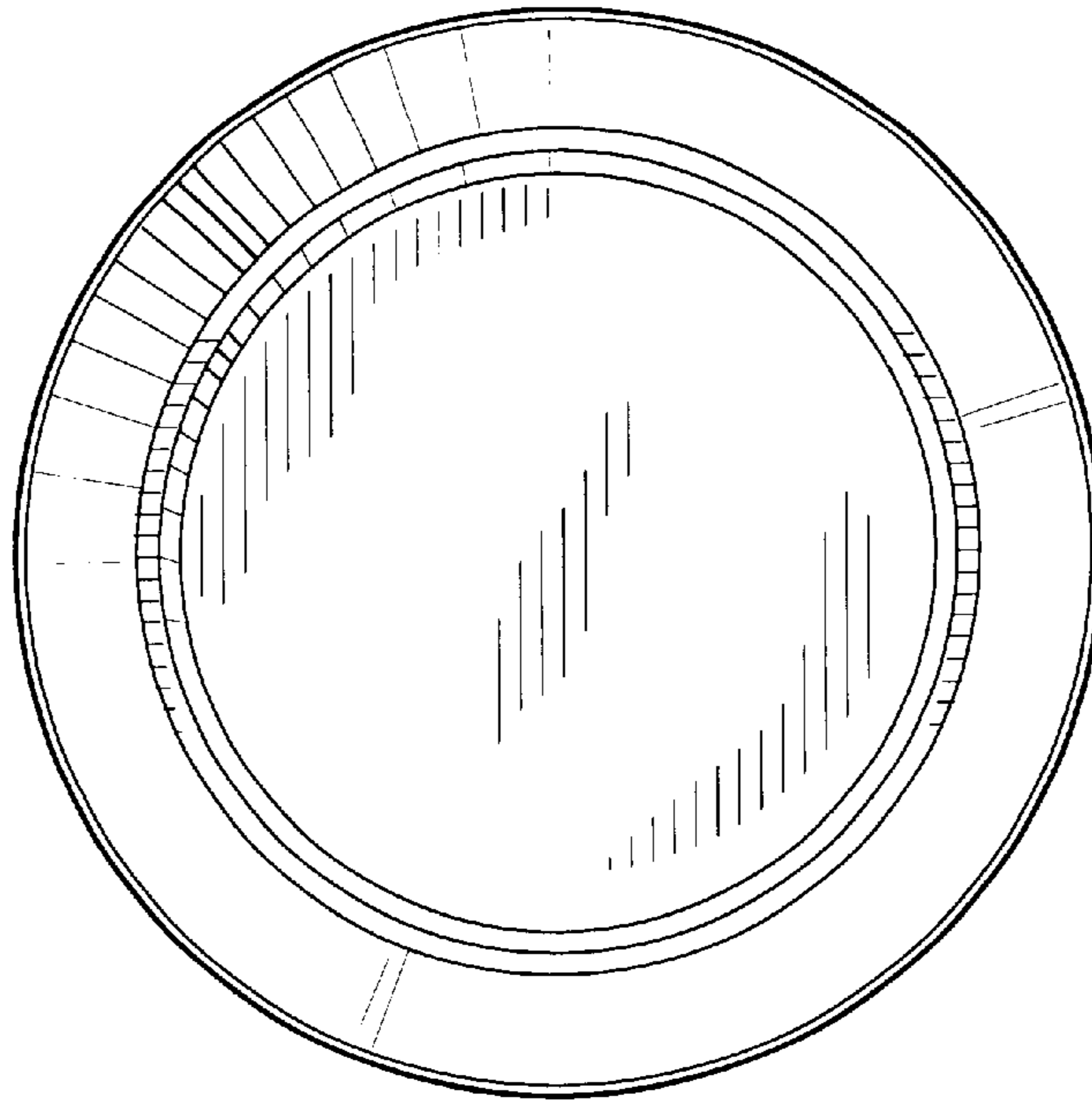


FIG. 4

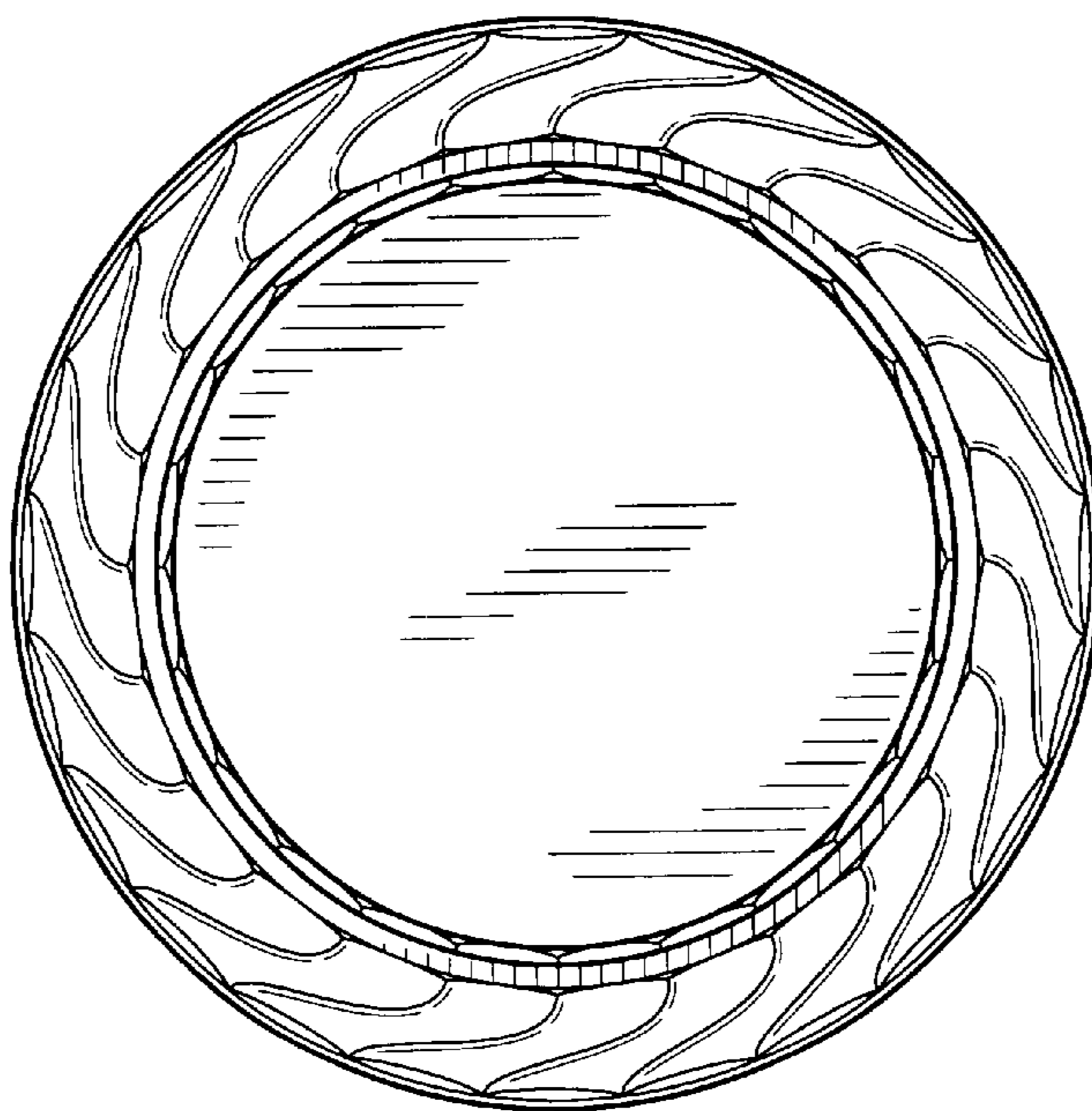


FIG. 5

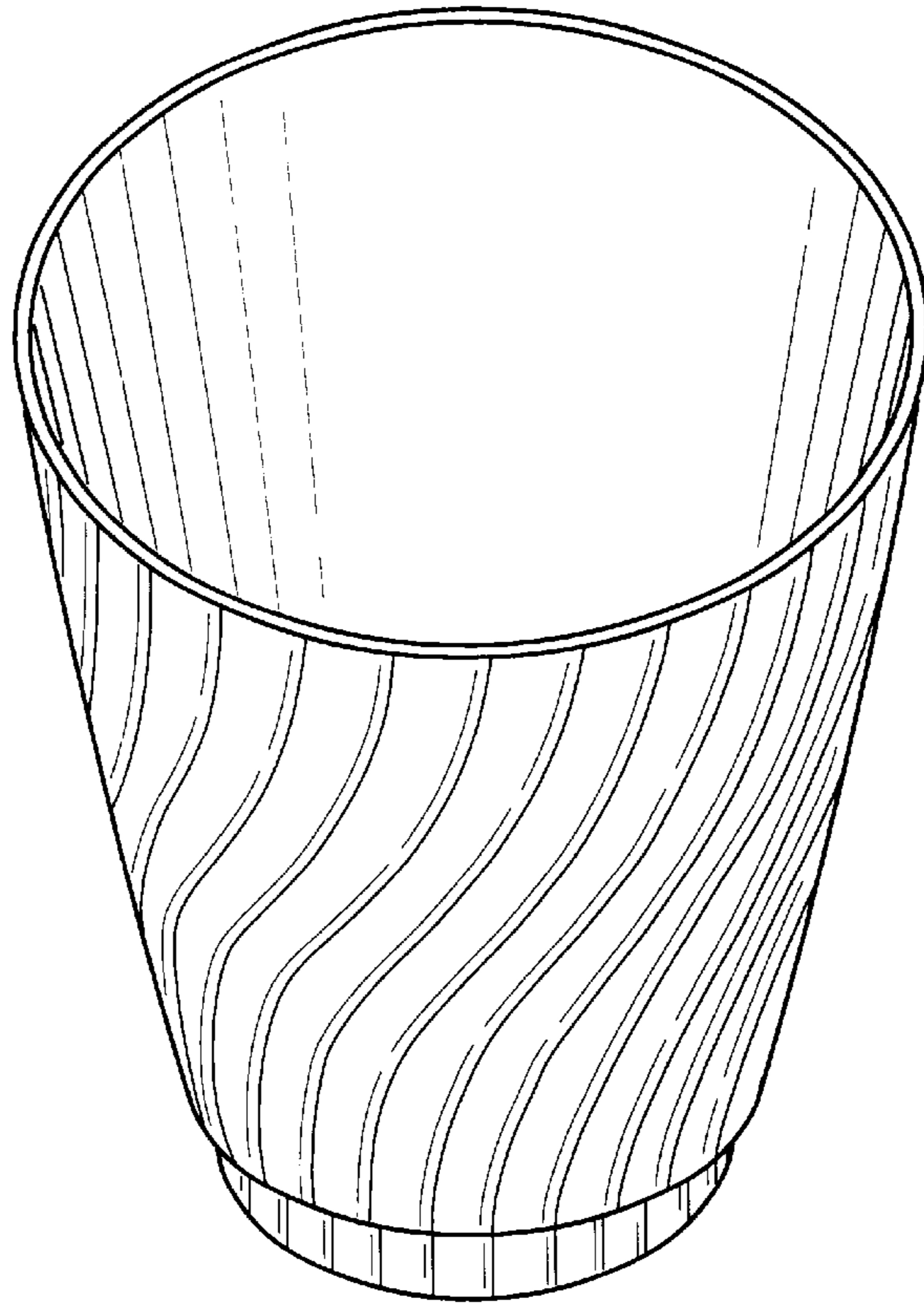


FIG. 6

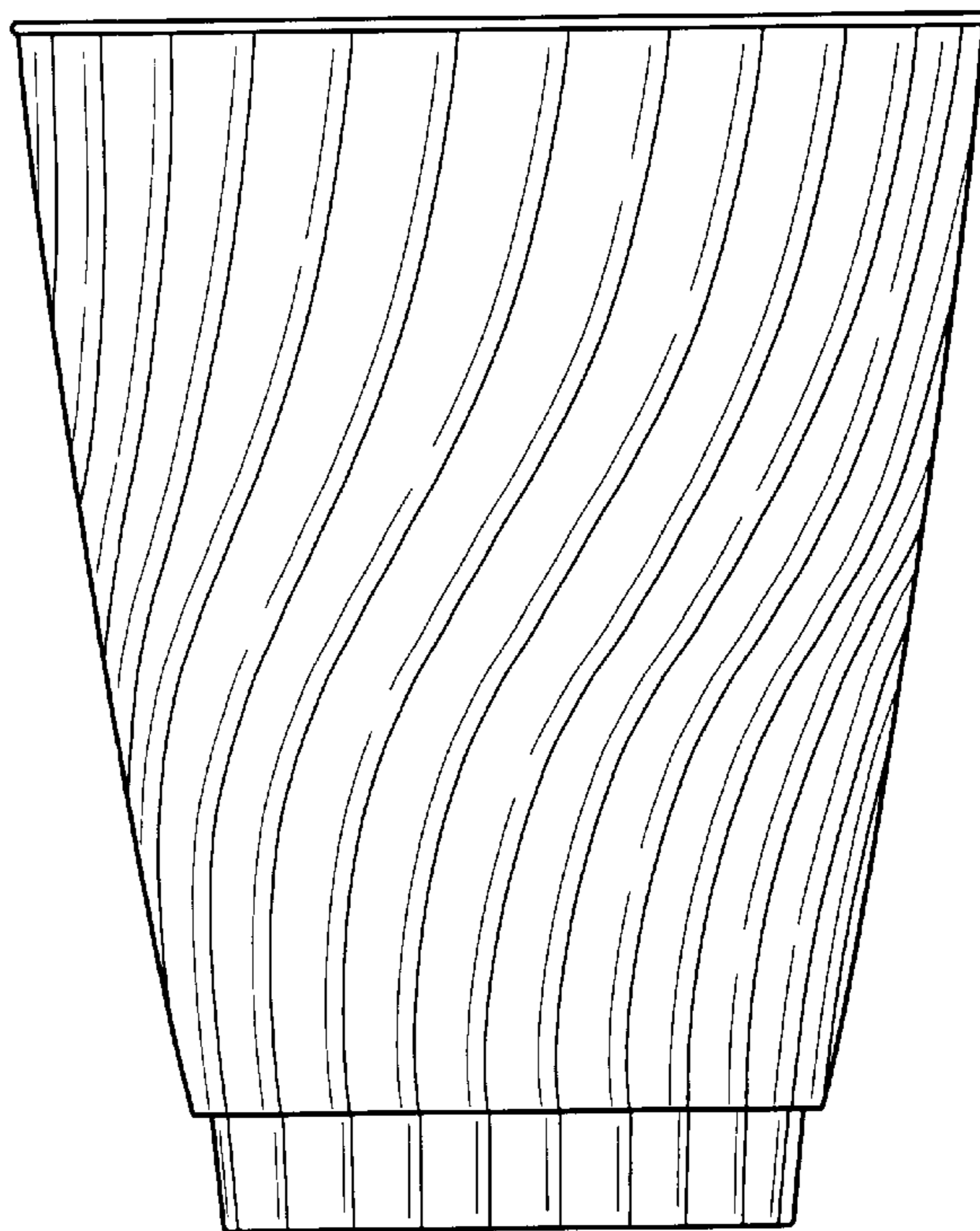


FIG. 7

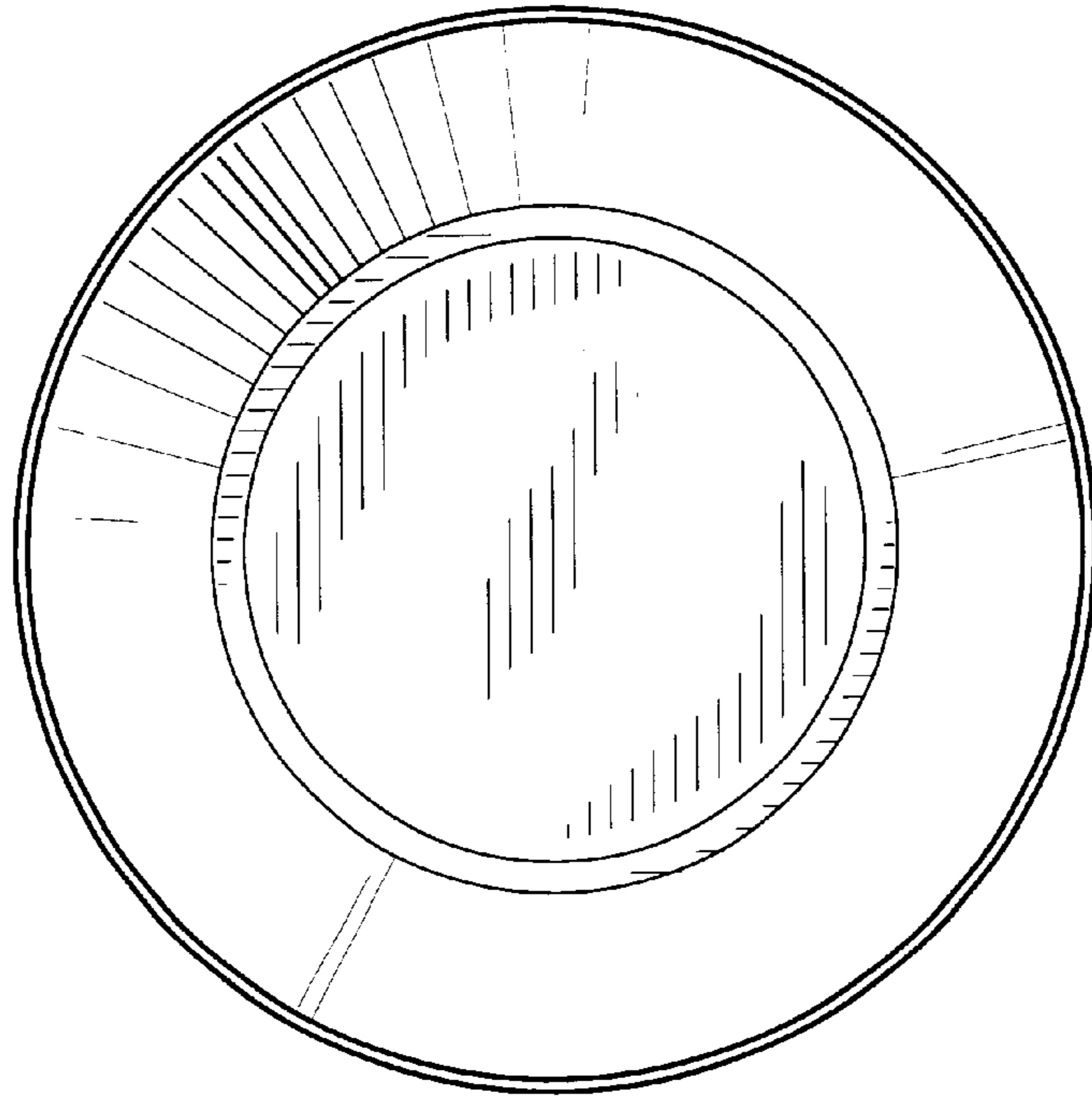


FIG. 8

