



US00D486689S

(12) **United States Design Patent**
Lu

(10) **Patent No.:** **US D486,689 S**

(45) **Date of Patent:** **** Feb. 17, 2004**

(54) **TURKEY FRYER STAND**

6,626,090 B2 * 9/2003 McLemore et al. 99/340

(75) Inventor: **James Lu**, Cumming, GA (US)

* cited by examiner

(73) Assignee: **International Business Corporation**,
Alpharetta, GA (US)

Primary Examiner—Louis S. Zarfes

Assistant Examiner—Robert A. Delehanty

(74) *Attorney, Agent, or Firm*—Smith, Gambrell & Russell

(**) Term: **14 Years**

(57) **CLAIM**

(21) Appl. No.: **29/175,059**

The ornamental design for a turkey fryer stand, as shown and described.

(22) Filed: **Jan. 29, 2003**

(51) **LOC (7) Cl.** **07-02**

(52) **U.S. Cl.** **D7/403**

(58) **Field of Search** D7/334–335, 403;
126/39 B, 1 R, 30, 40; 99/340, 410, 413;
248/97; D34/6

DESCRIPTION

FIG. 1 is a frontal perspective of the turkey fryer stand, in accordance with the present invention.

FIG. 2 is a plan view of a bracket for turkey fryer stand in accordance with the present invention.

FIG. 3 is a side elevation view of a turkey fryer stand in accordance with the present invention.

FIG. 4 is a bottom view of a turkey fryer stand in accordance with the present invention.

FIG. 5 is a opposite side elevation view of a turkey fryer stand in accordance with the present invention.

FIG. 6 is a front elevation view of a turkey fryer stand in accordance with the present invention; and,

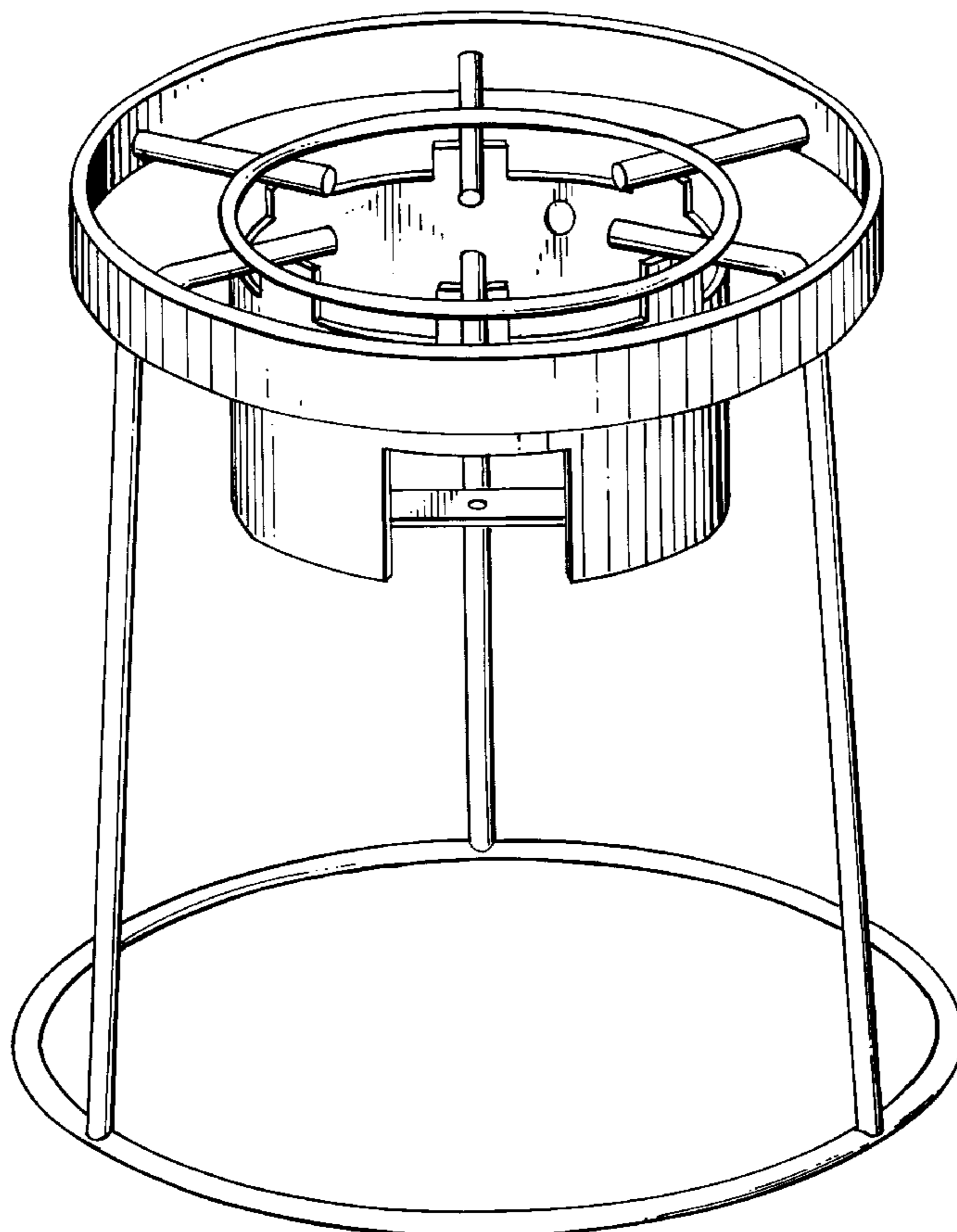
FIG. 7 is a back elevation view of a turkey fryer stand in accordance with the present invention.

(56) **References Cited**

U.S. PATENT DOCUMENTS

4,157,801 A	*	6/1979	Elmer	248/97
5,038,749 A	*	8/1991	Jerry et al.	126/40
5,065,735 A	*	11/1991	Bourgeois et al.	126/40
5,531,154 A	*	7/1996	Perez, III	99/340
5,758,569 A		6/1998	Barbour	
5,813,321 A		9/1998	Bourgeois	
5,896,810 A		4/1999	Barbour	
5,970,852 A		10/1999	Bourgeois	
6,058,830 A		5/2000	Bourgeois	

1 Claim, 4 Drawing Sheets



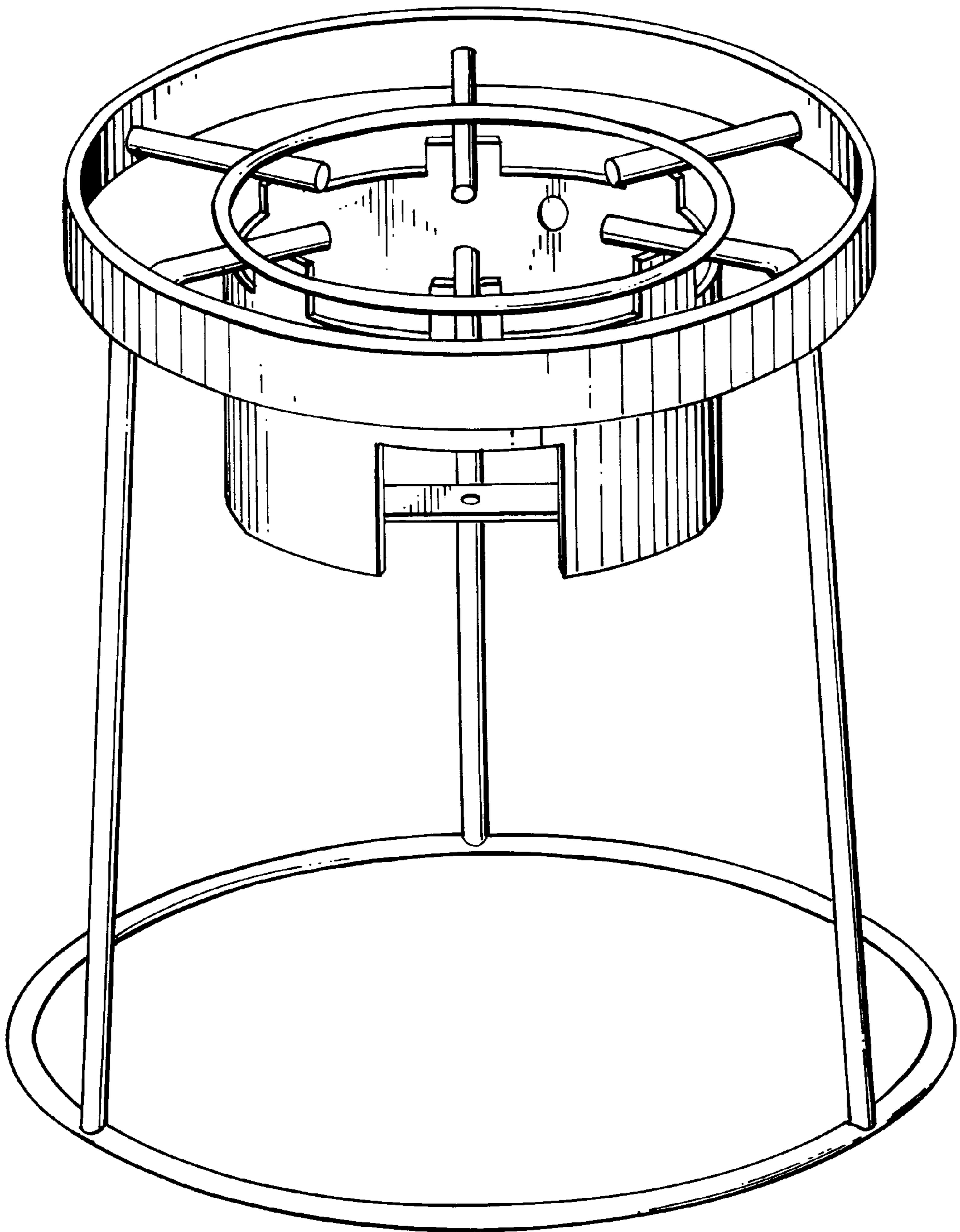


Fig. 1

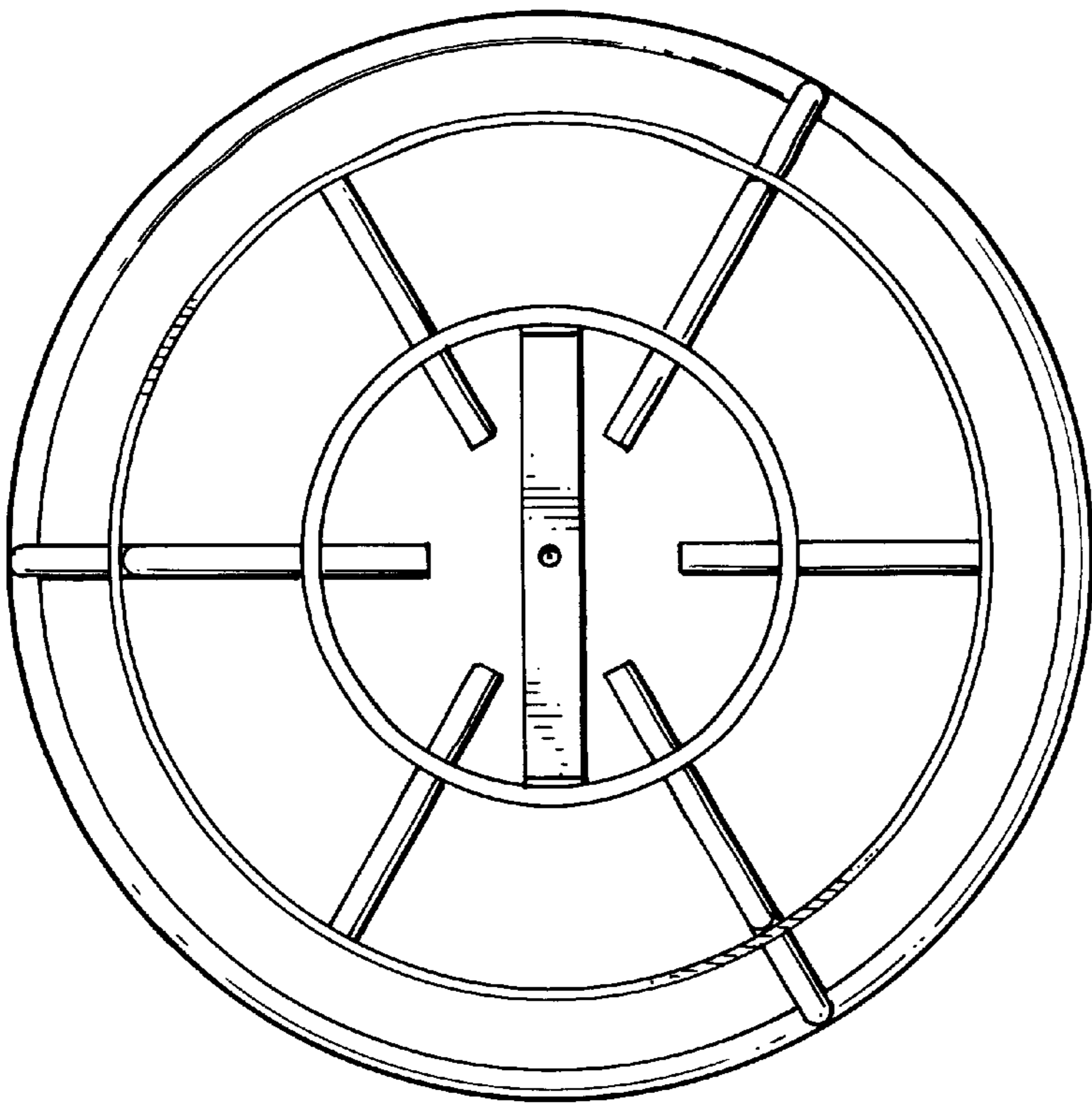


Fig. 2

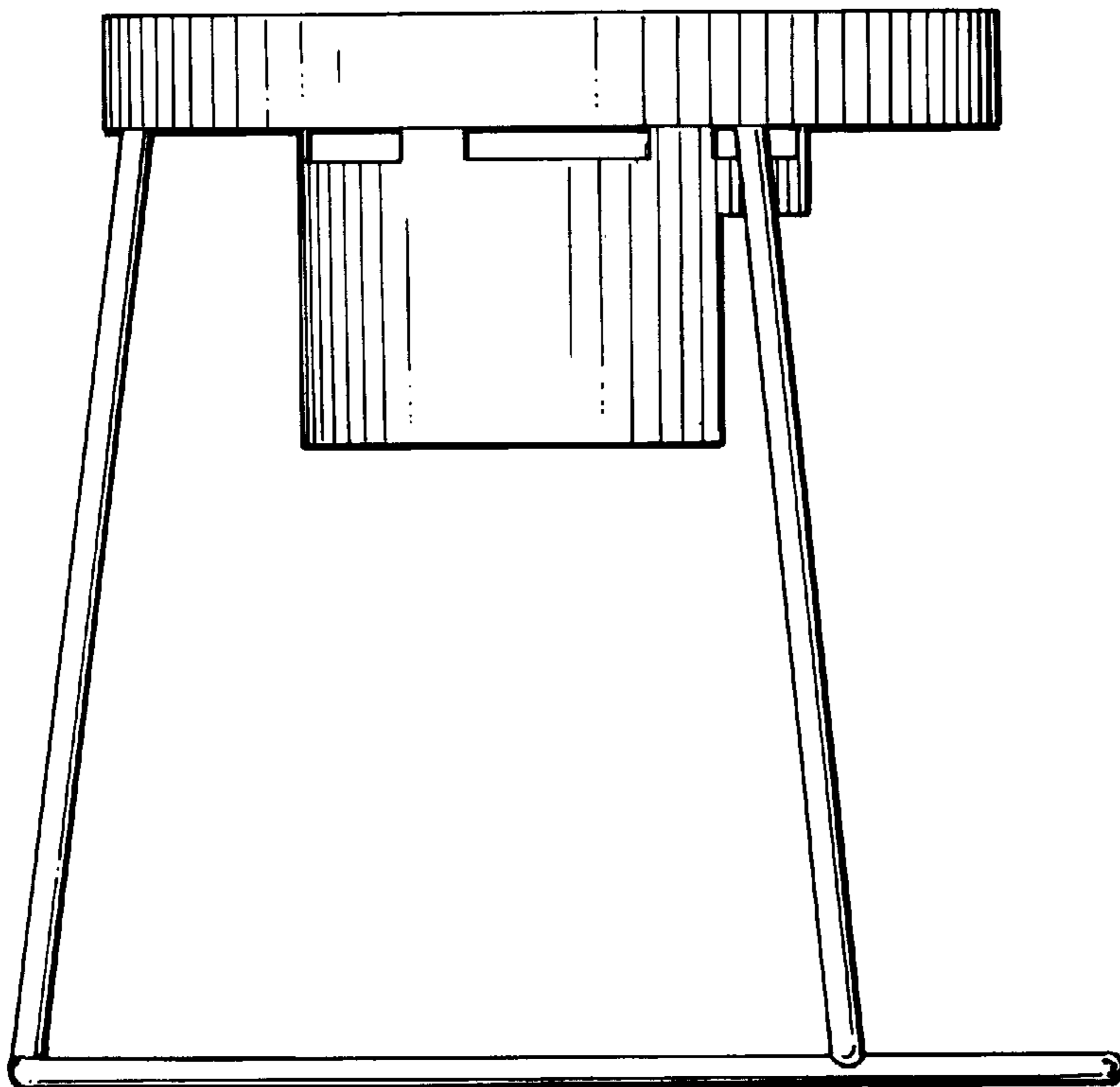


Fig. 3

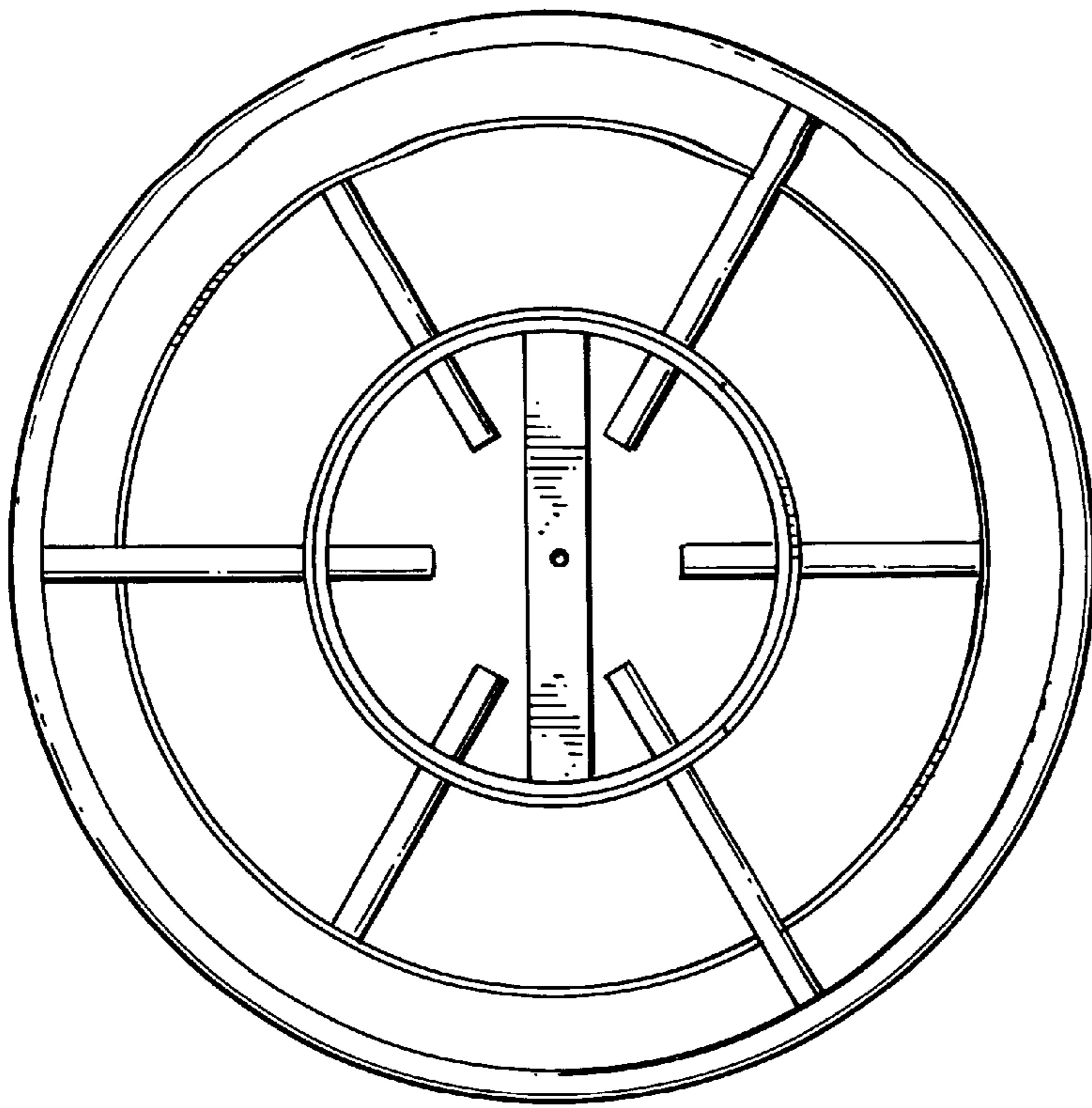
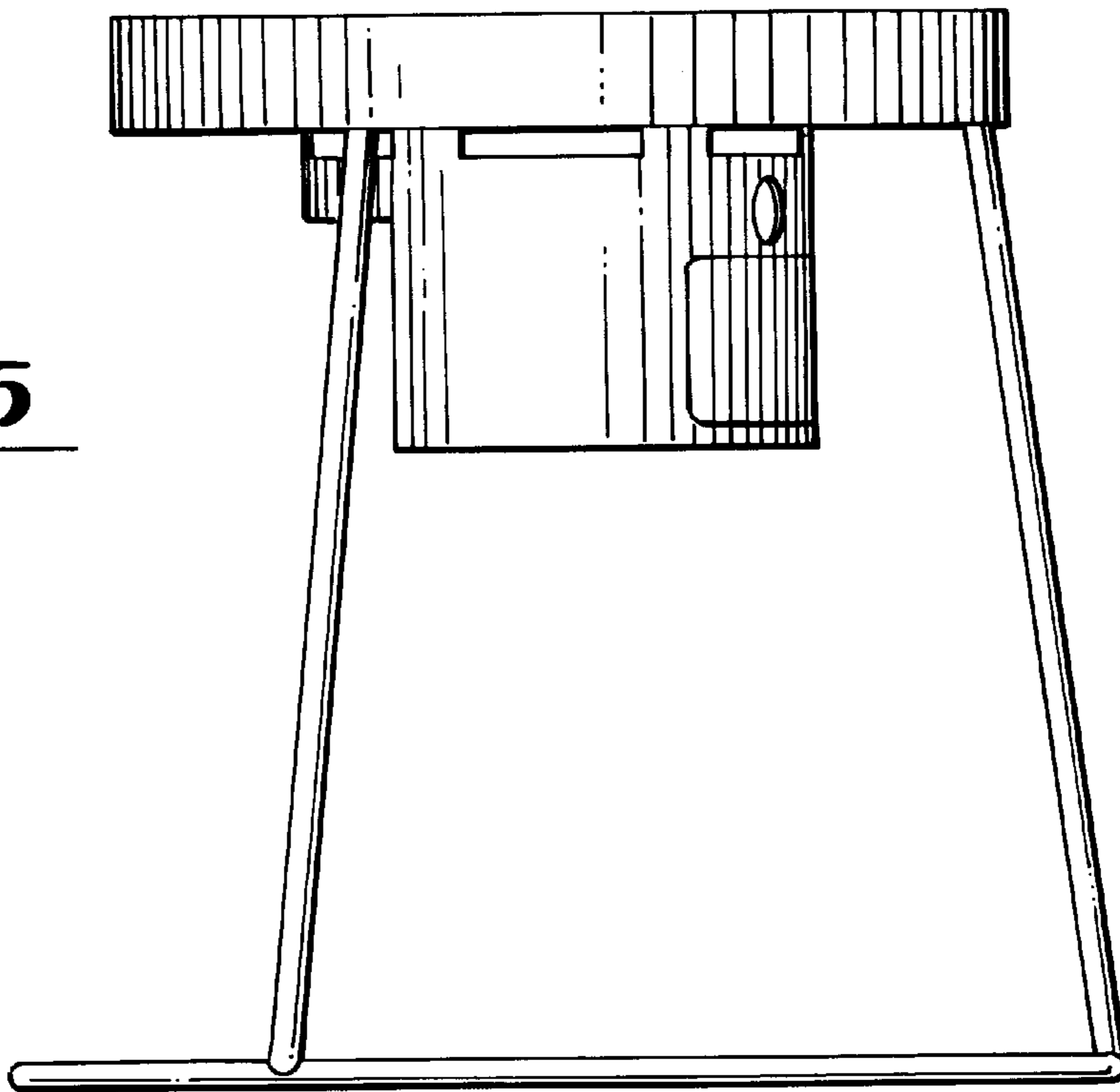


Fig. 4

Fig. 5



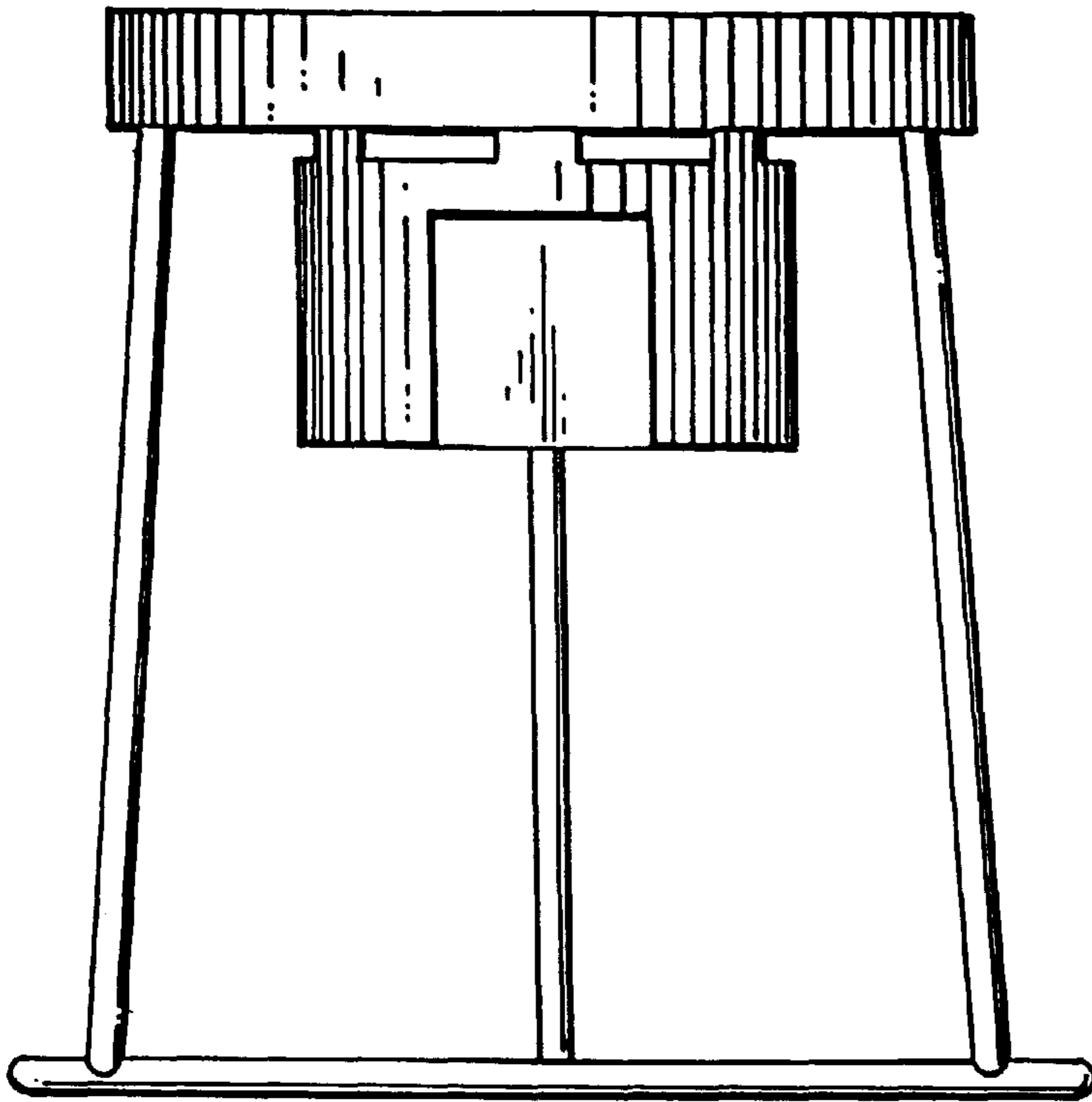


Fig. 6

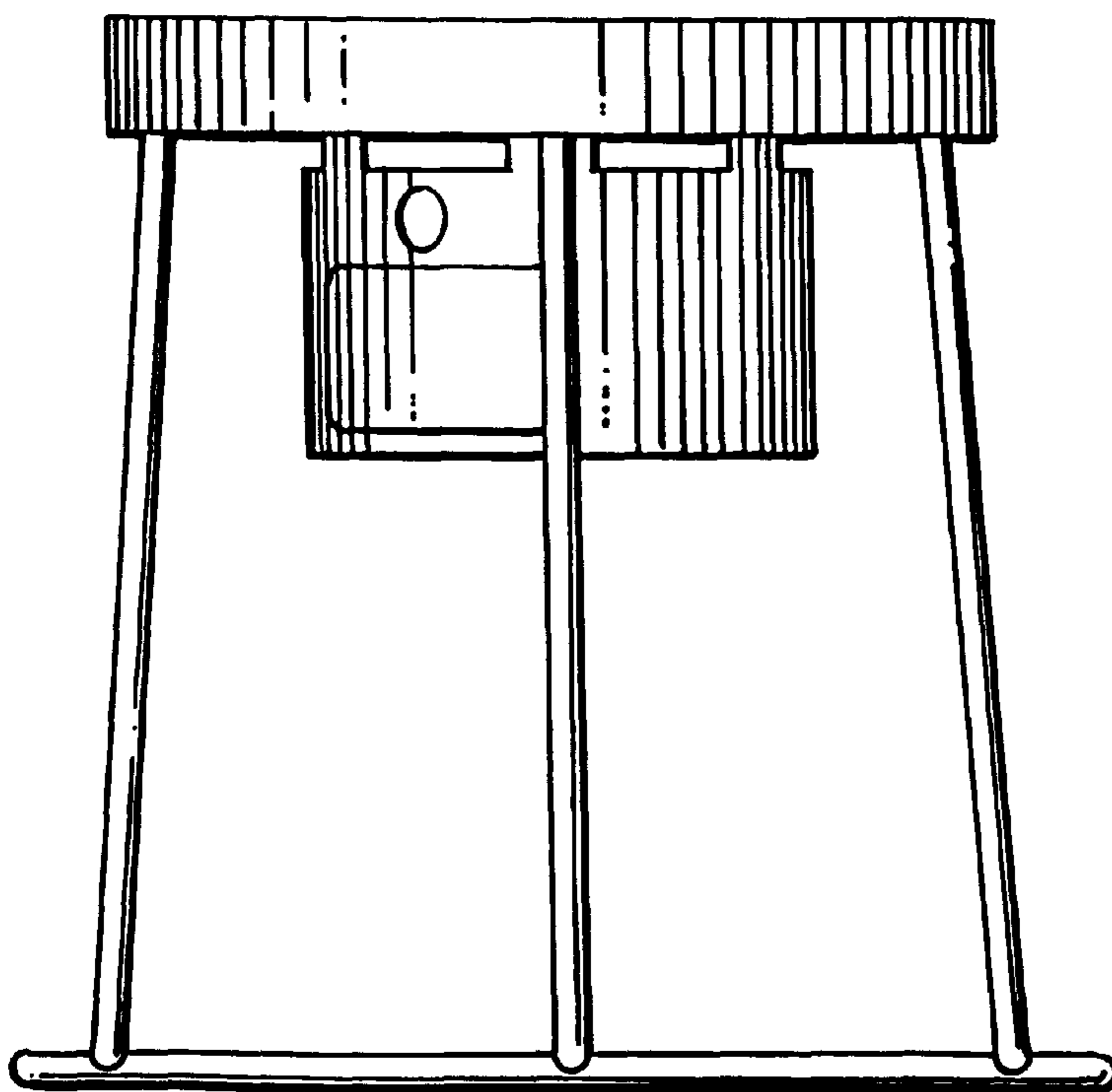


Fig. 7