



US00D486688S

(12) **United States Design Patent**  
**Chan et al.**

(10) **Patent No.:** **US D486,688 S**

(45) **Date of Patent:** **\*\* Feb. 17, 2004**

(54) **BARBEQUE GRILL**

(76) Inventors: **Neil Chan**, 10F. No. 111, Sec. 4,  
San-Ho Rd., San-Chung City, Taipei  
(TW); **Ader Chen**, 10F. No. 111, Sec.  
4, San-Ho Rd., San-Chung City, Taipei  
(TW)

(\*\*) Term: **14 Years**

(21) Appl. No.: **29/173,938**

(22) Filed: **Jan. 8, 2003**

**Related U.S. Application Data**

(63) Continuation-in-part of application No. 29/151,666, filed on  
Dec. 5, 2001.

(51) **LOC (7) Cl.** ..... **07-02**

(52) **U.S. Cl.** ..... **D7/334**

(58) **Field of Search** ..... D7/323, 332-337,  
D7/354, 402-404; 126/25 R, 25 A, 25 AA,  
38, 37 A, 41 R, 40; 99/450, 481-482

(56) **References Cited**

**U.S. PATENT DOCUMENTS**

6,257,229 B1 \* 7/2001 Stewart et al. .... 126/276

D460,313 S \* 7/2002 Crookshanks et al. .... D7/334  
D462,564 S \* 9/2002 Brake et al. .... D7/334  
D466,756 S \* 12/2002 Bossler et al. .... D7/334  
D469,650 S \* 2/2003 Pai ..... D7/334  
D471,057 S \* 3/2003 Chung ..... D7/334  
D472,422 S \* 4/2003 Pai ..... D7/334  
D474,063 S \* 5/2003 Eisinger et al. .... D7/334  
6,561,082 B2 \* 5/2003 Gillespie et al. .... 99/339

\* cited by examiner

*Primary Examiner*—Ruth McInroy

(74) *Attorney, Agent, or Firm*—Chan Law Group LC

(57) **CLAIM**

The ornamental design for a barbeque grill, as shown and  
described.

**DESCRIPTION**

FIG. 1 is an orthogonal view of a barbeque grill showing our  
new design;

FIG. 2 is a left side elevation view thereof;

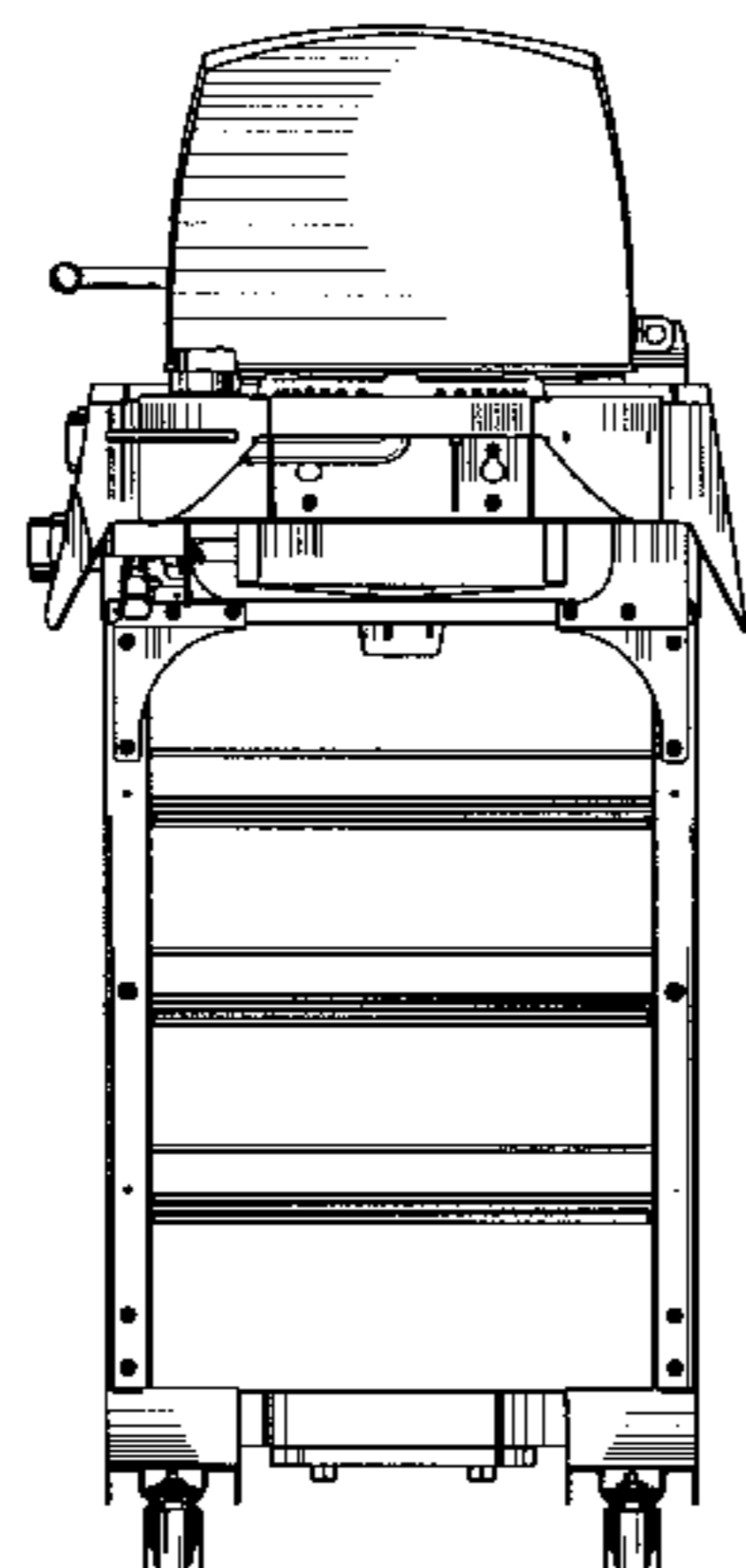
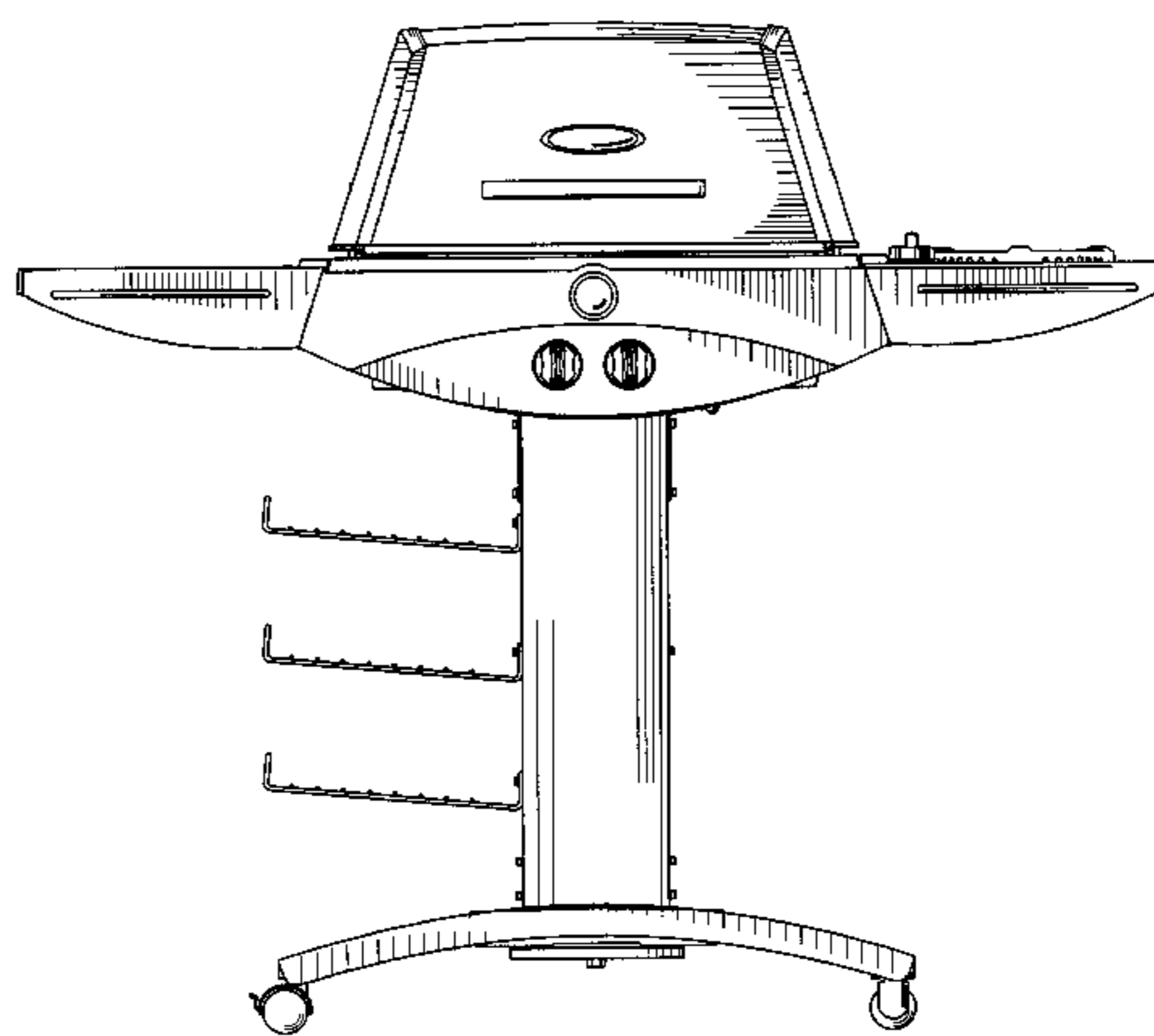
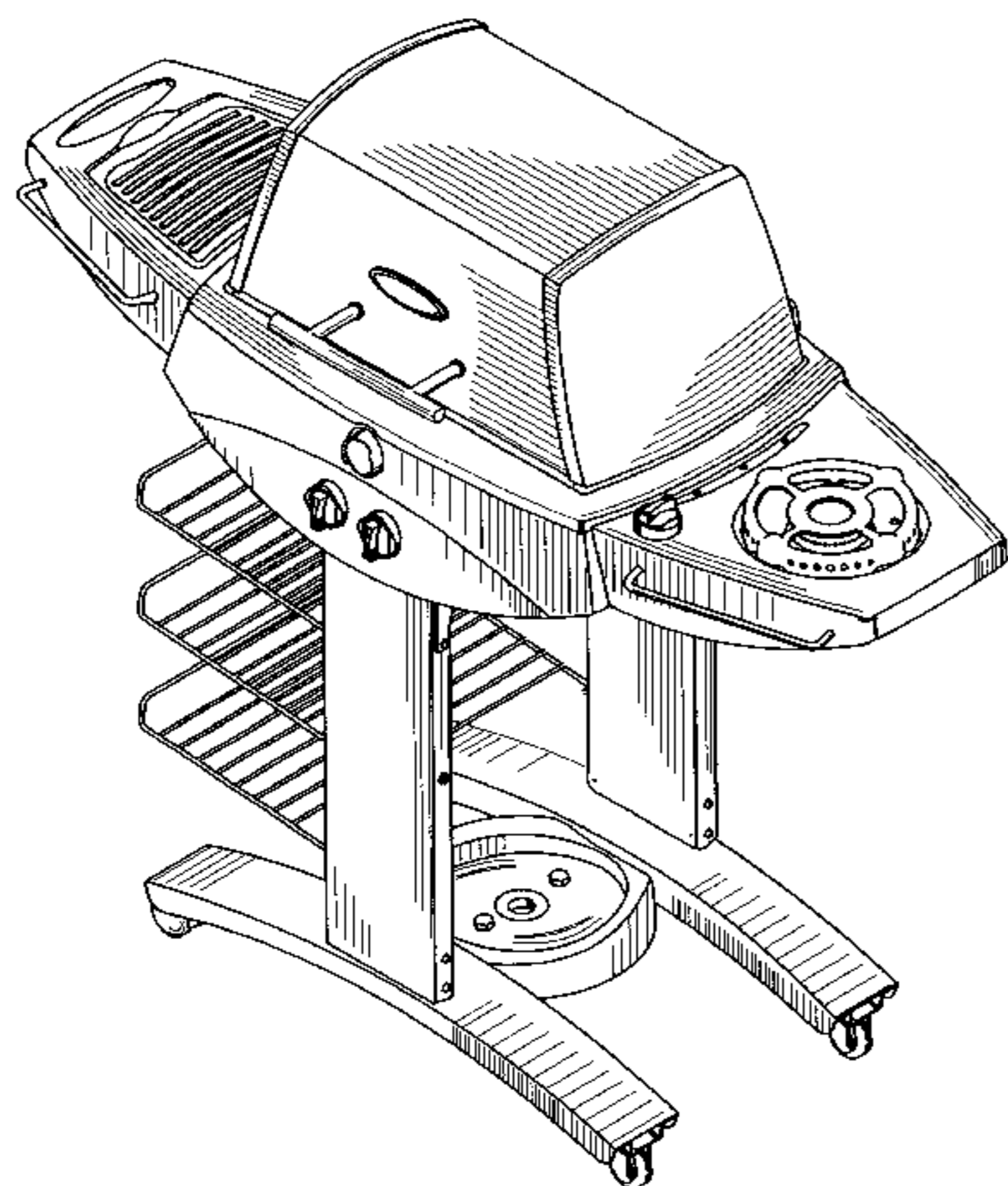
FIG. 3 is a front elevation view thereof;

FIG. 4 is a back elevation view thereof;

FIG. 5 is a right side elevation view thereof; and,

FIG. 6 is a top plan view thereof.

**1 Claim, 6 Drawing Sheets**



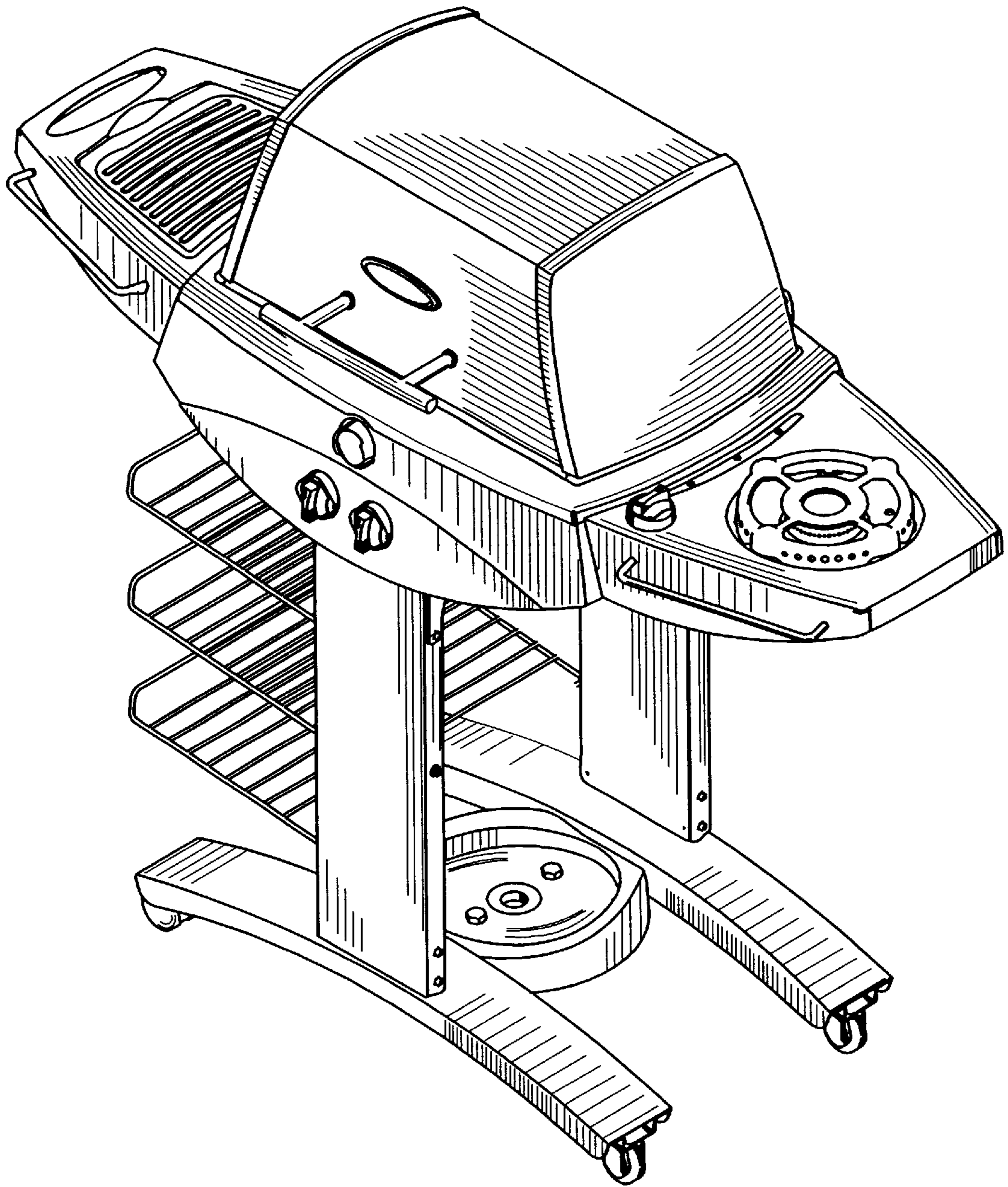


FIG. 1

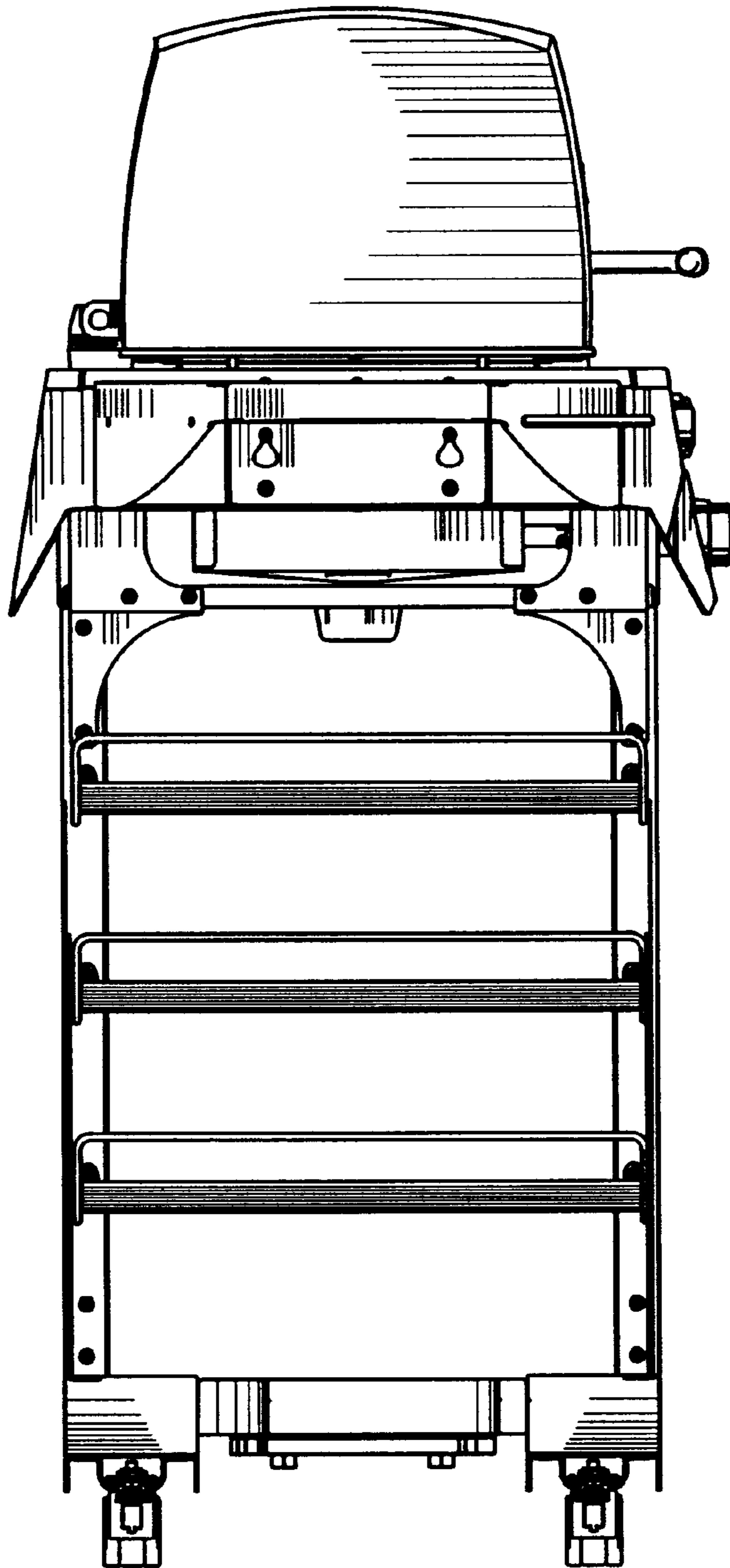


FIG. 2

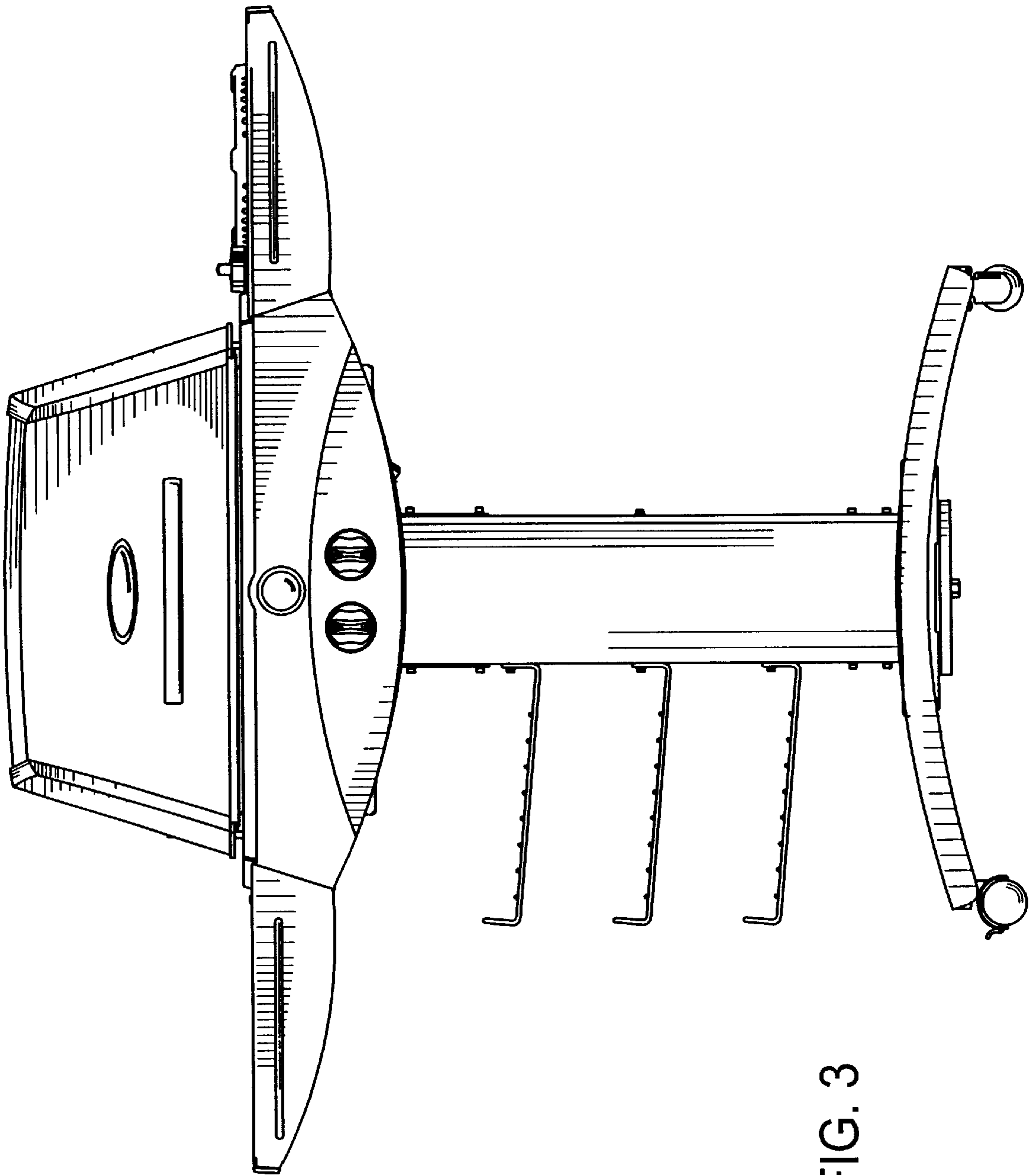


FIG. 3

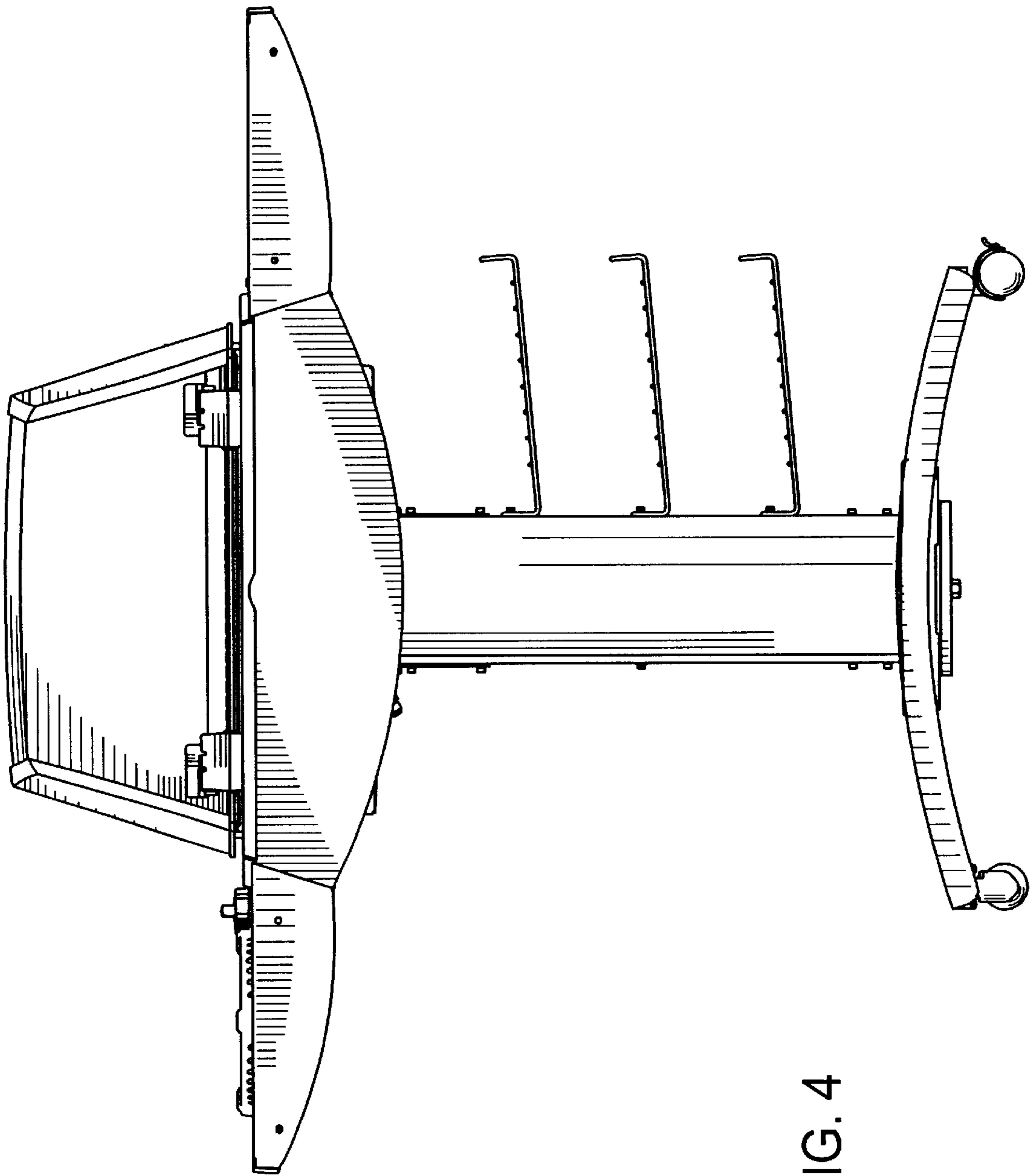


FIG. 4

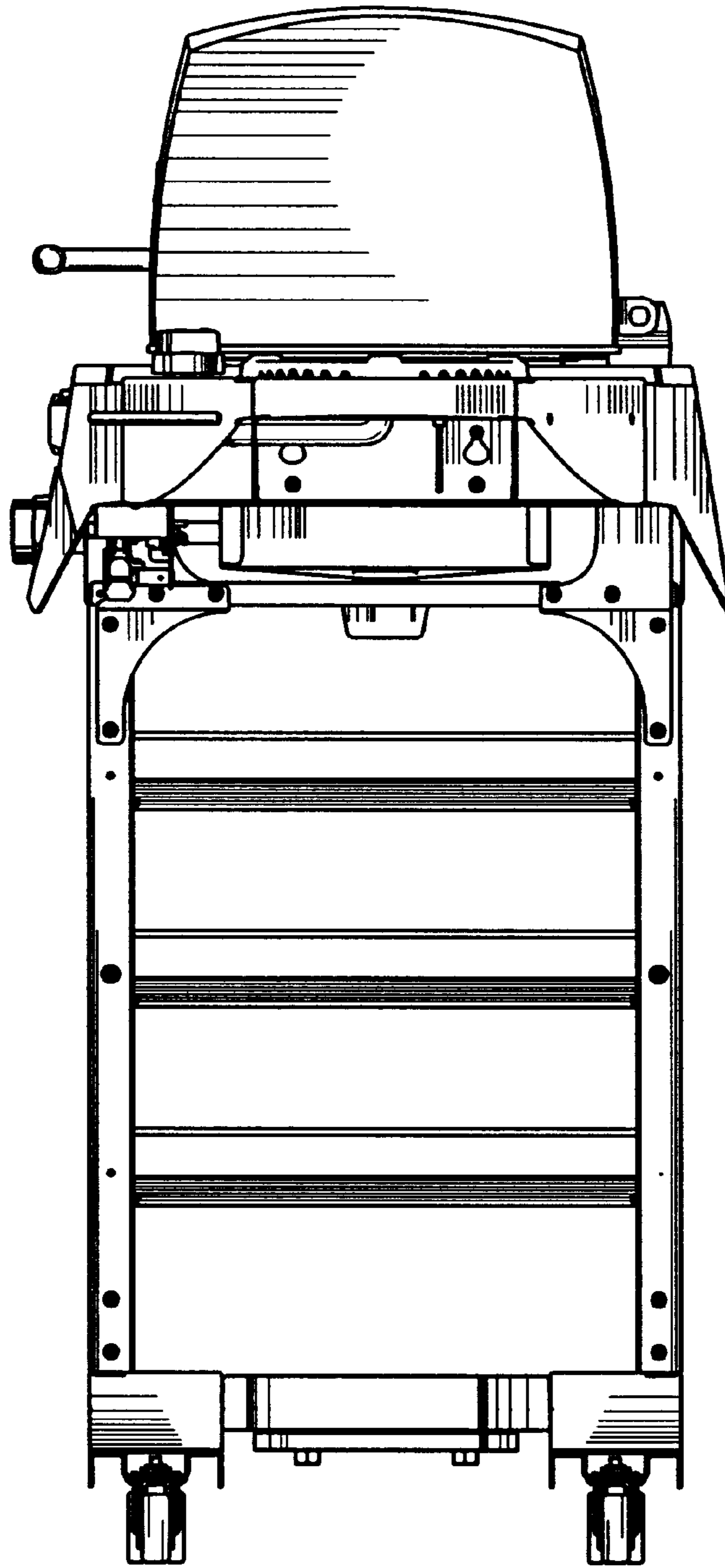


FIG. 5

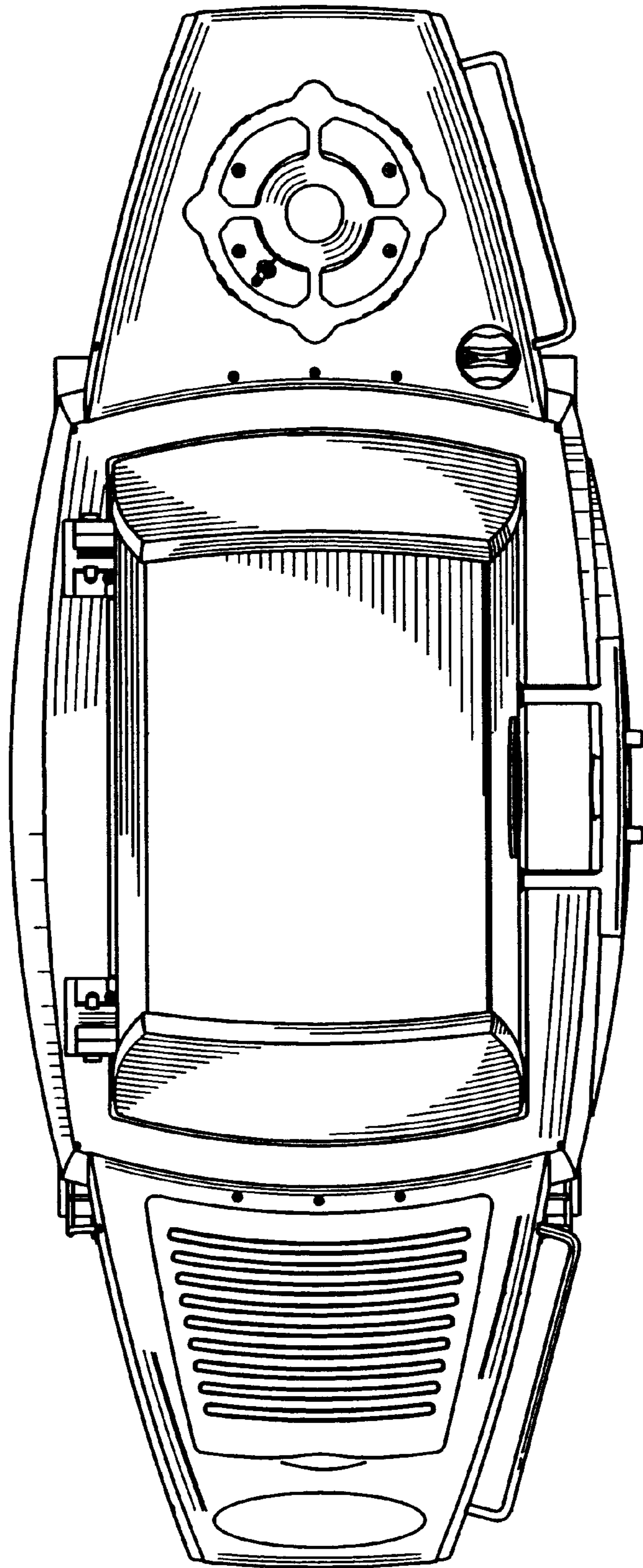


FIG. 6