



US00D486685S

(12) **United States Design Patent**
Marusak et al.

(10) **Patent No.:** **US D486,685 S**

(45) **Date of Patent:** **** Feb. 17, 2004**

(54) **WINDOW BLIND SLAT**

(75) Inventors: **Thomas J. Marusak**, Loudonville, NY (US); **George Allen**, Middle Grove, NY (US)

(73) Assignee: **Comfortex Corporation**, Watervliet, NY (US)

(**) Term: **14 Years**

(21) Appl. No.: **29/172,546**

(22) Filed: **Dec. 12, 2002**

(51) **LOC (7) Cl.** **06-10**

(52) **U.S. Cl.** **D6/577**

(58) **Field of Search** D6/577-580; 160/166.1, 160/130, 236

(56) **References Cited**

U.S. PATENT DOCUMENTS

2,413,464 A	*	12/1946	Nihon	160/173 R
D366,586 S	*	1/1996	Underdahl	D6/580
D366,587 S	*	1/1996	Underdahl	D6/580
D440,804 S	*	4/2001	Huang et al.	D6/580
D464,518 S	*	10/2002	Griffiths et al.	D6/580

* cited by examiner

Primary Examiner—Robin V. Taylor
(74) *Attorney, Agent, or Firm*—Rader, Fishman & Grauer, PLLC

(57) **CLAIM**

The ornamental design for a window blind slat, as shown and described.

DESCRIPTION

FIG. 1 is a top isometric perspective view of a window blind slat of the present invention, shown broken away to indicate indeterminate length;

FIG. 2 is a bottom isometric perspective view of the window blind slat of FIG. 1, shown broken away to indicate indeterminate length;

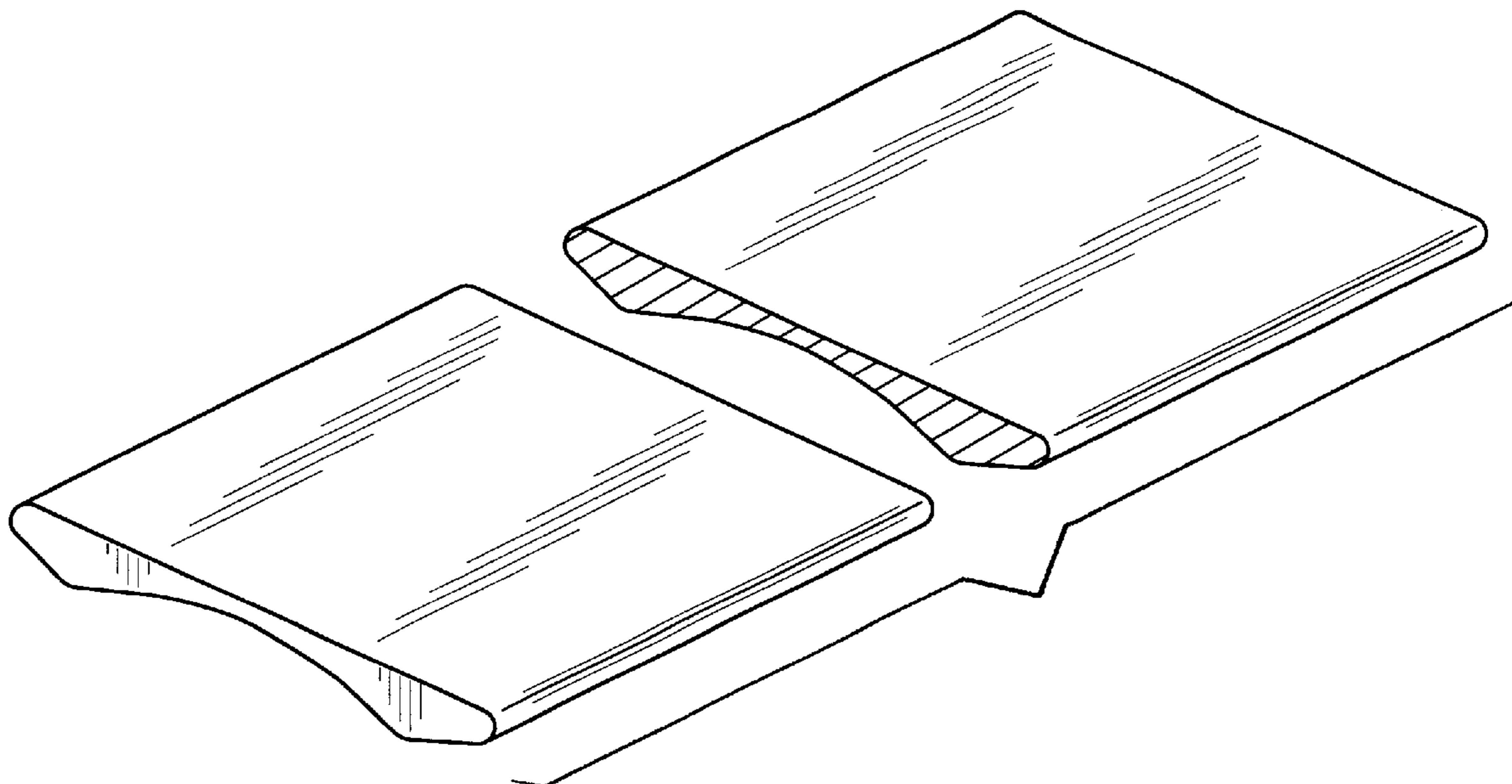
FIG. 3 is a side elevational view of the window blind slat of FIG. 1;

FIG. 4 is a front or rear elevational view of the window blind slat of FIG. 1;

FIG. 5 is a top view of the window blind slat of FIG. 1; and,

FIG. 6 is a bottom view of the window blind slat of FIG. 1.

1 Claim, 2 Drawing Sheets



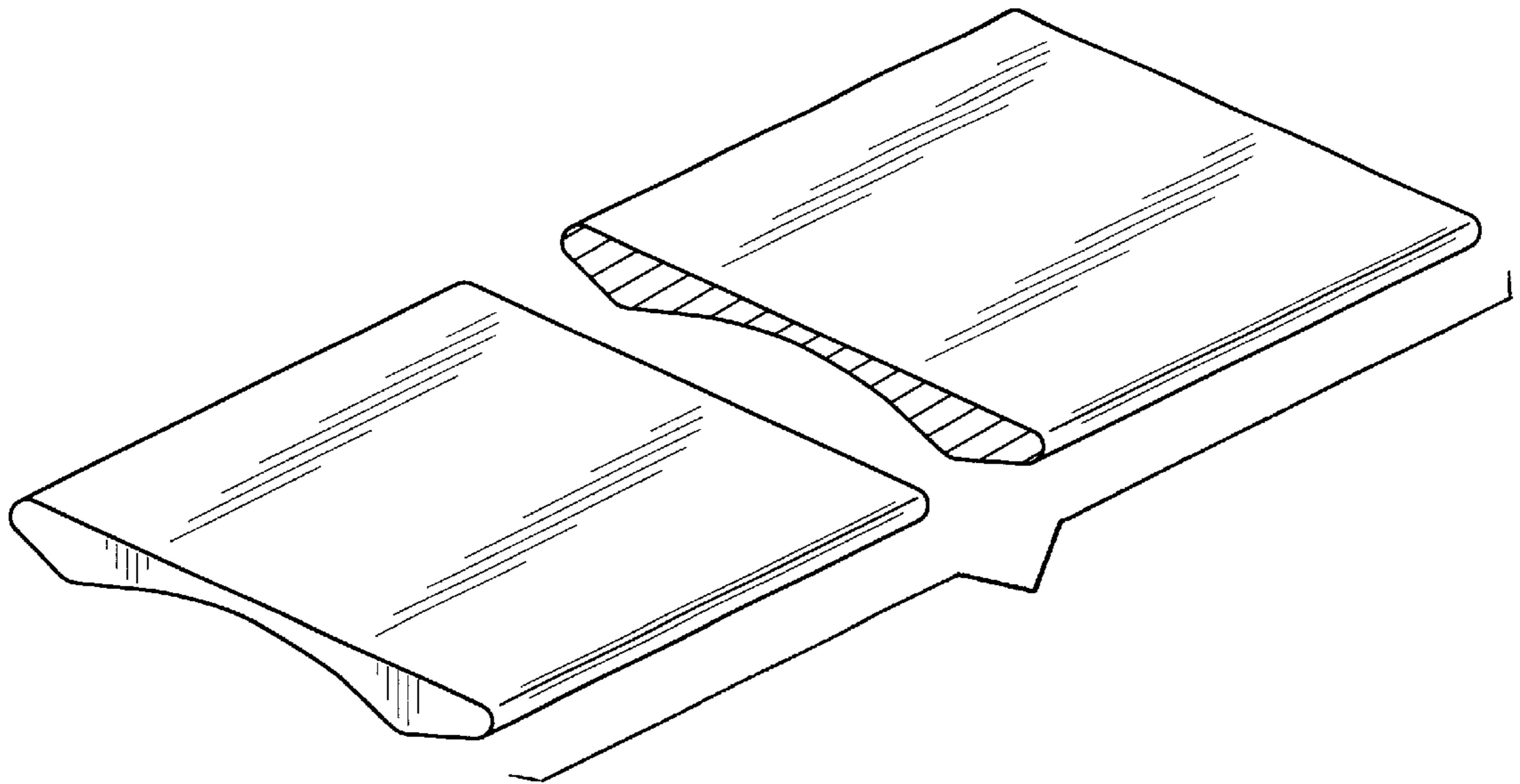


FIG. 1

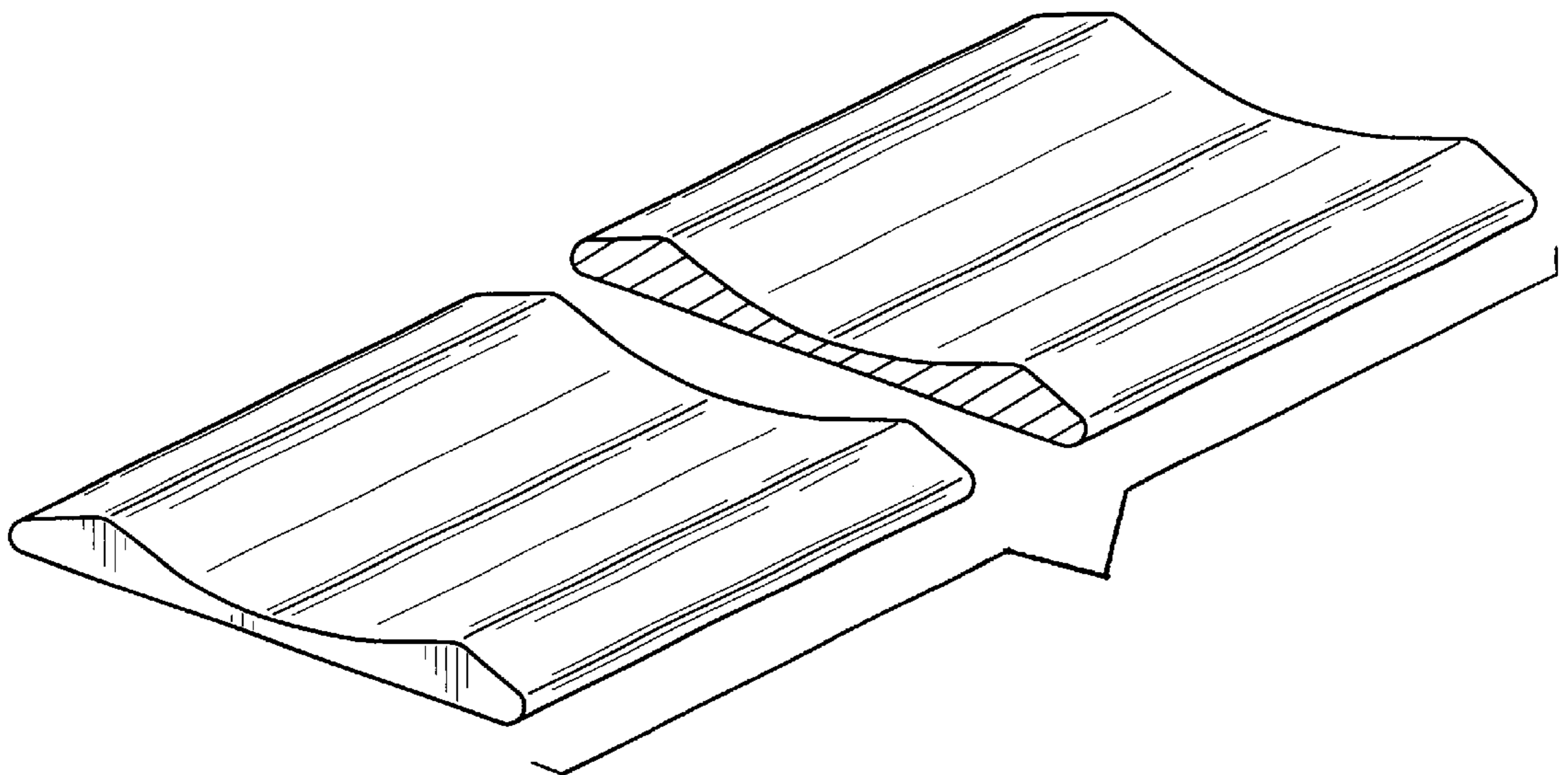


FIG. 2

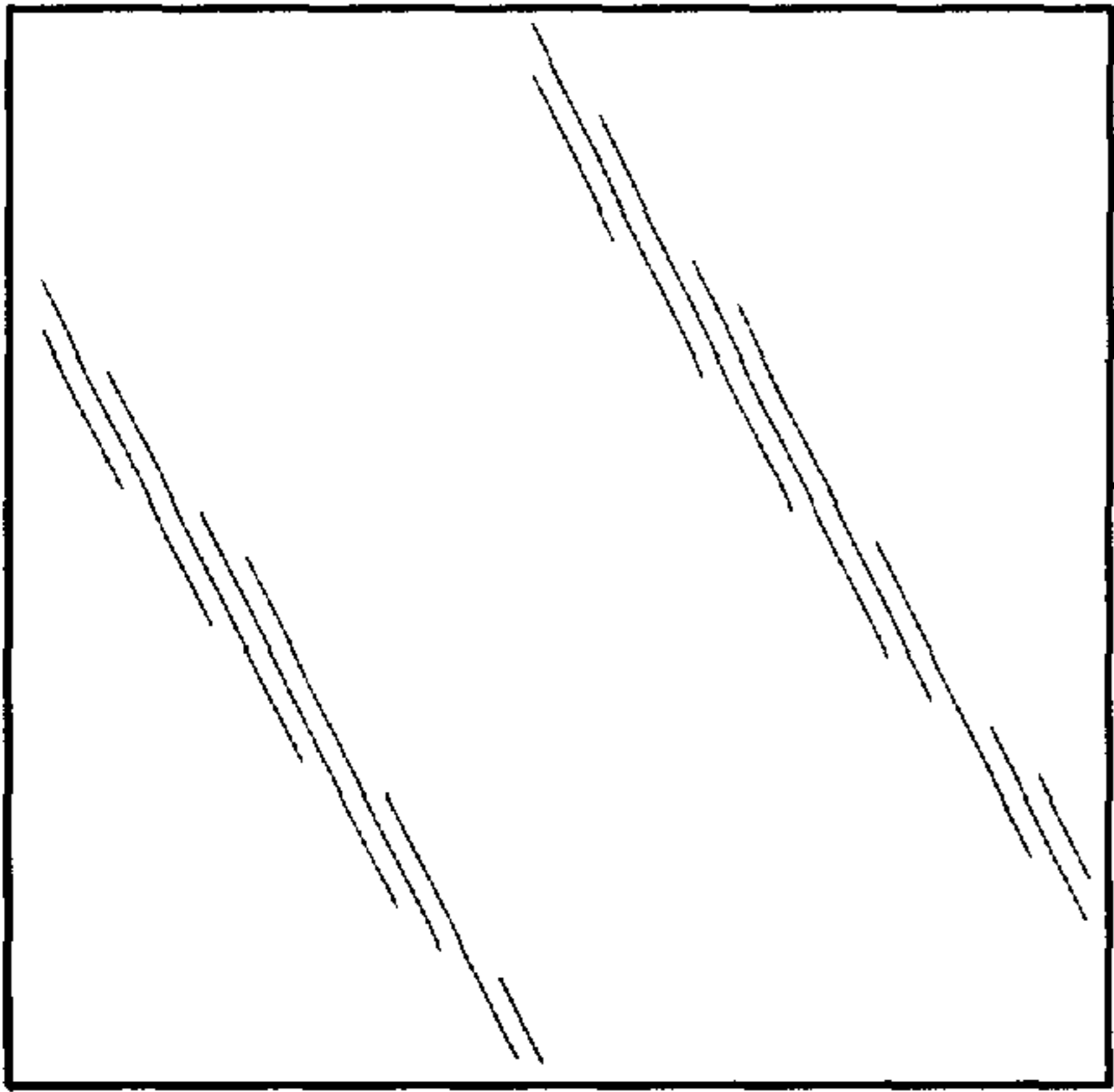


FIG. 5



FIG. 3



FIG. 4

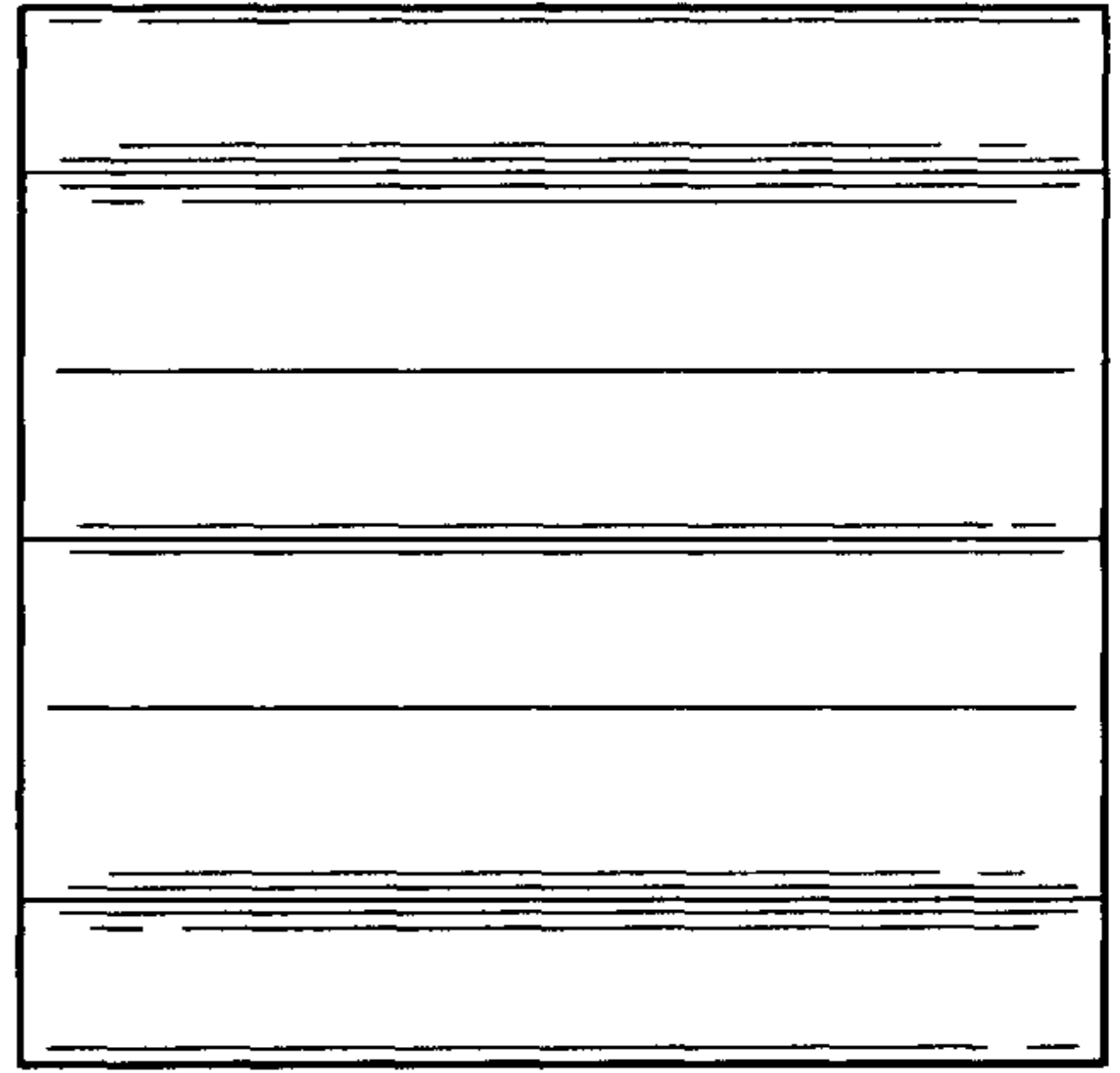


FIG. 6