



US00D486684S

(12) **United States Design Patent**  
**Hessell**

(10) **Patent No.:** **US D486,684 S**

(45) **Date of Patent:** **\*\* Feb. 17, 2004**

(54) **DISPLAY SHELF**

(75) Inventor: **John Hessell**, Paramus, NJ (US)

(73) Assignee: **UV Sales, Inc.**, Rockleigh, NJ (US)

(\*\*) Term: **14 Years**

(21) Appl. No.: **29/183,765**

(22) Filed: **Jun. 17, 2003**

(51) **LOC (7) Cl.** ..... **06-04**

(52) **U.S. Cl.** ..... **D6/574**

(58) **Field of Search** ..... D6/552, 553, 567,  
D6/574, 572; 24/13.1, 71, 74, 75, 86.01,  
87.01, 88.01, 126.1, 134

(56) **References Cited**

**U.S. PATENT DOCUMENTS**

D275,348 S	*	9/1984	Olson	.....	D6/574
D311,657 S	*	10/1990	Pate	.....	D6/574
D391,795 S	*	3/1998	Pellerin	.....	D6/574
D436,782 S	*	1/2001	Rapp	.....	D6/574
D465,353 S		11/2002	Hessell et al.		

\* cited by examiner

*Primary Examiner*—Brian N. Vinson

(74) *Attorney, Agent, or Firm*—Bazerman & Drangel PC

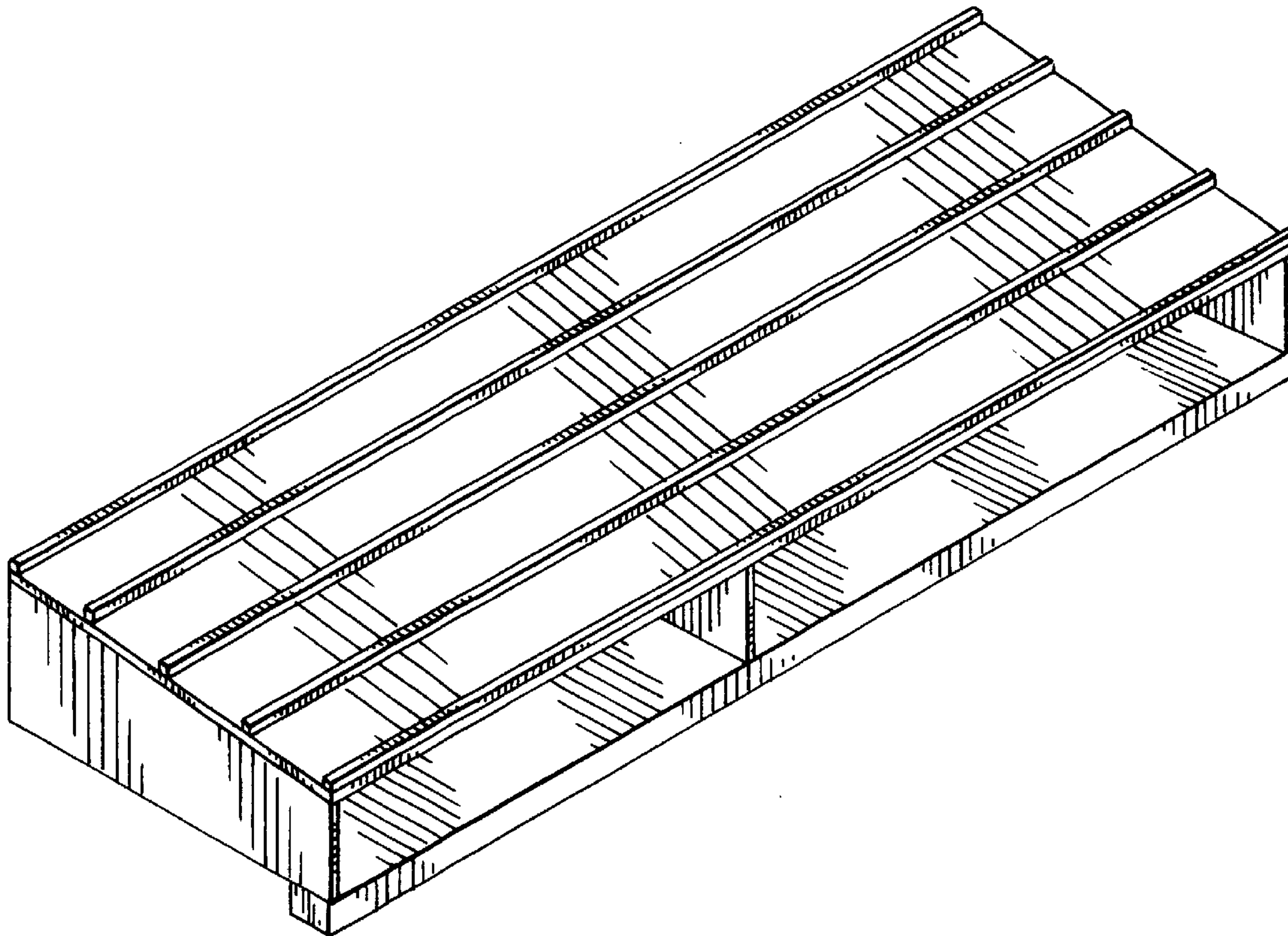
(57) **CLAIM**

The ornamental design for display shelf, as shown and described.

**DESCRIPTION**

FIG. 1 is a perspective view of the display shelf;  
FIG. 2 is a front view of the embodiment described in FIG. 1;  
FIG. 3 is a rear view of the embodiment described in FIG. 1;  
FIG. 4 is a right end view of the embodiment described in FIG. 1;  
FIG. 5 is a left end view of the embodiment described in FIG. 1;  
FIG. 6 is a top plan view of the embodiment described in FIG. 1; and,  
FIG. 7 is a bottom plan view of the embodiment described in FIG. 1.

**1 Claim, 4 Drawing Sheets**



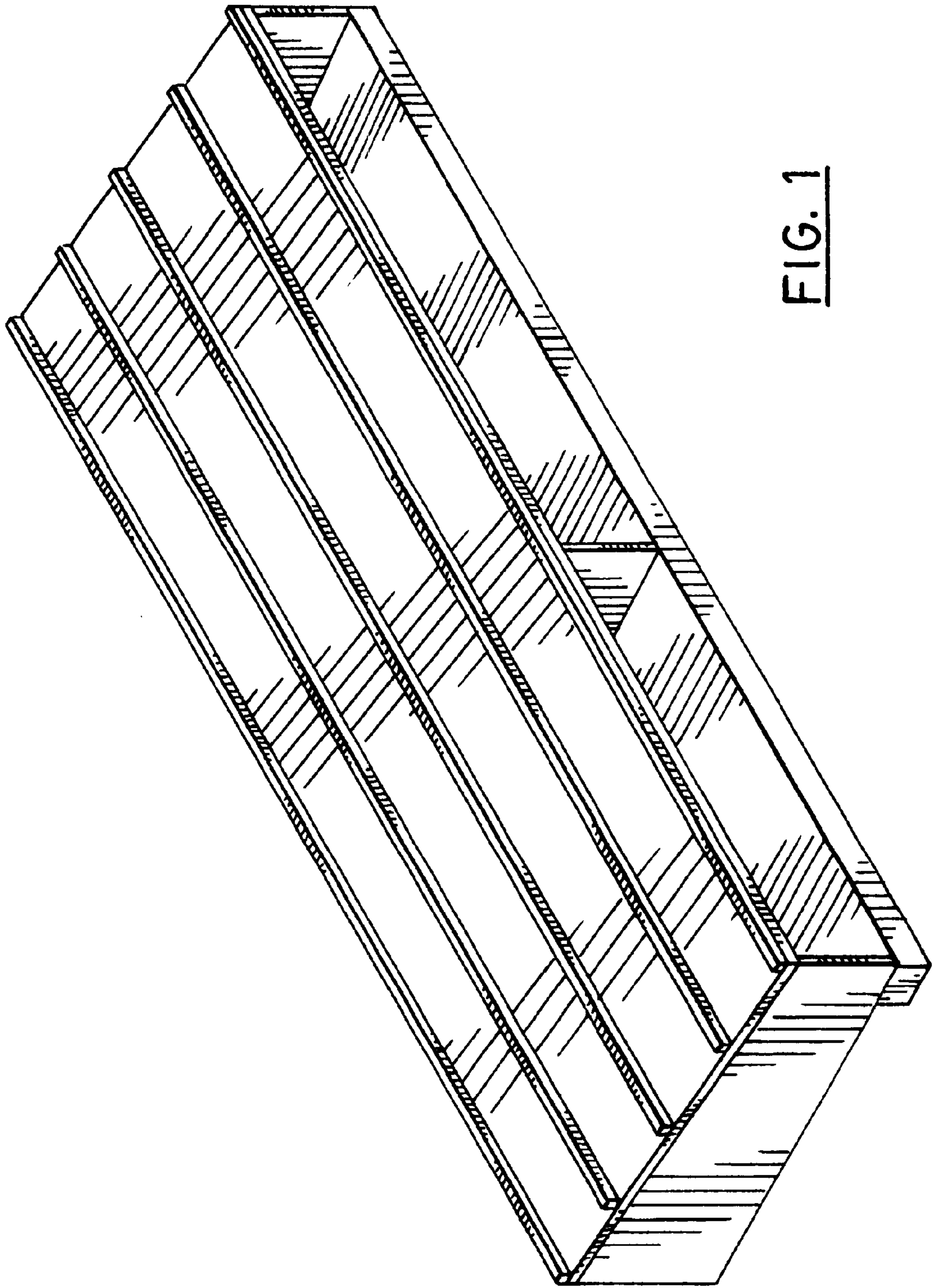


FIG. 1

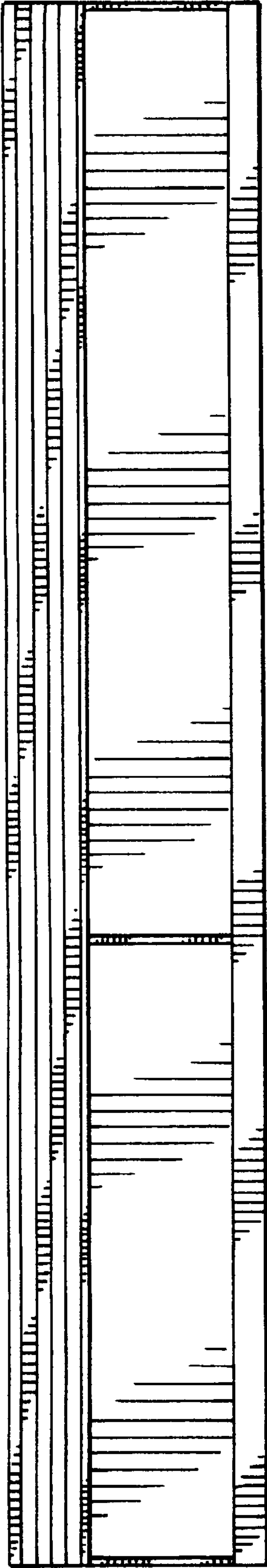


FIG. 2

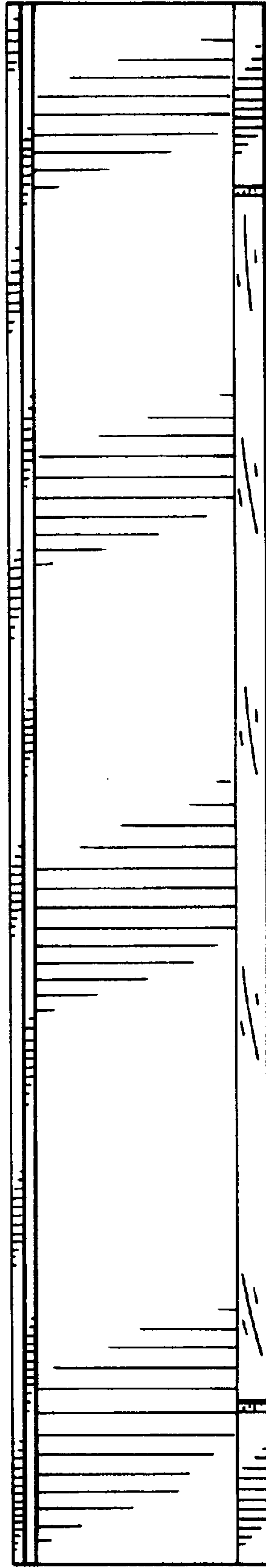


FIG. 3

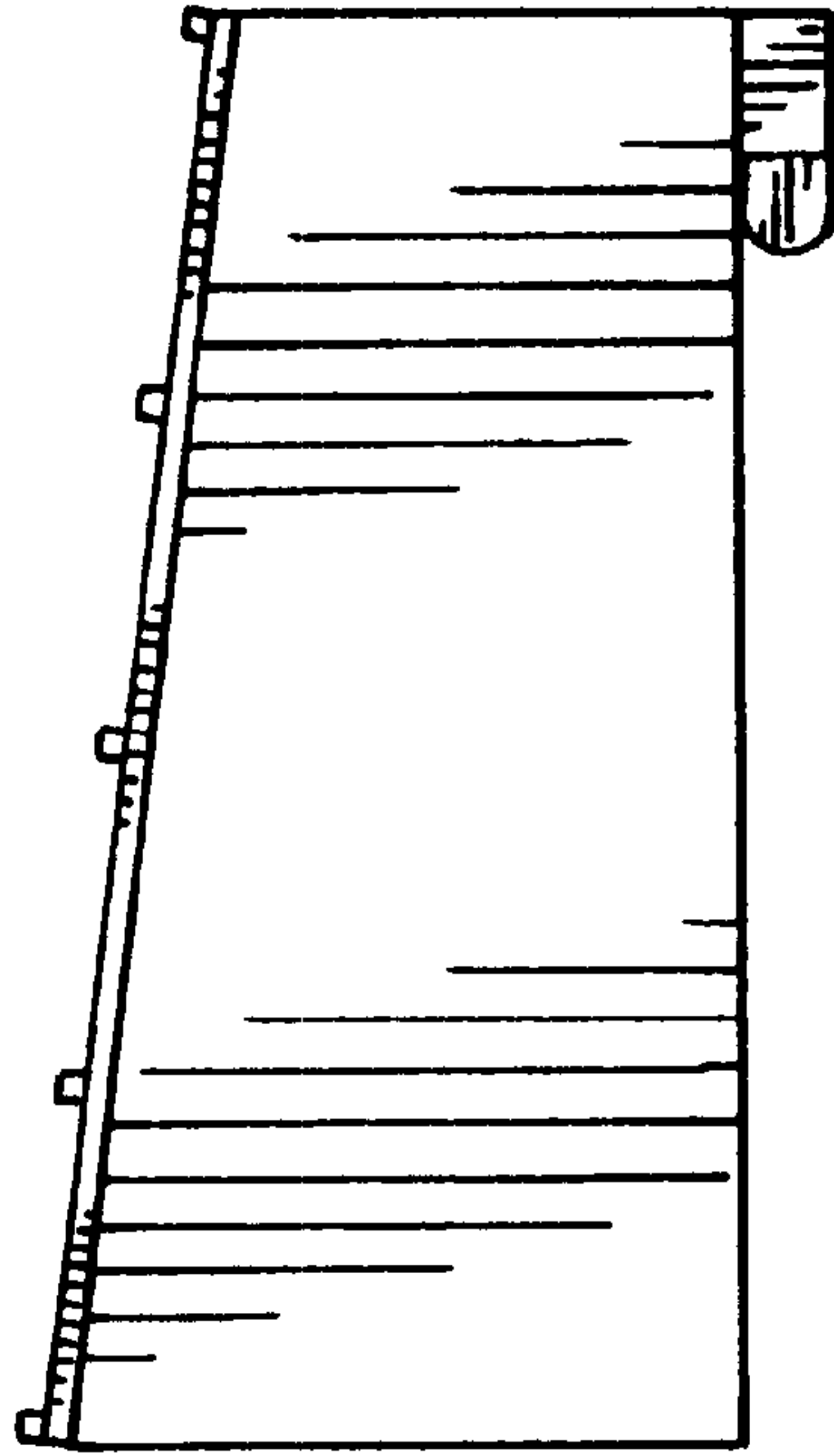


FIG. 5

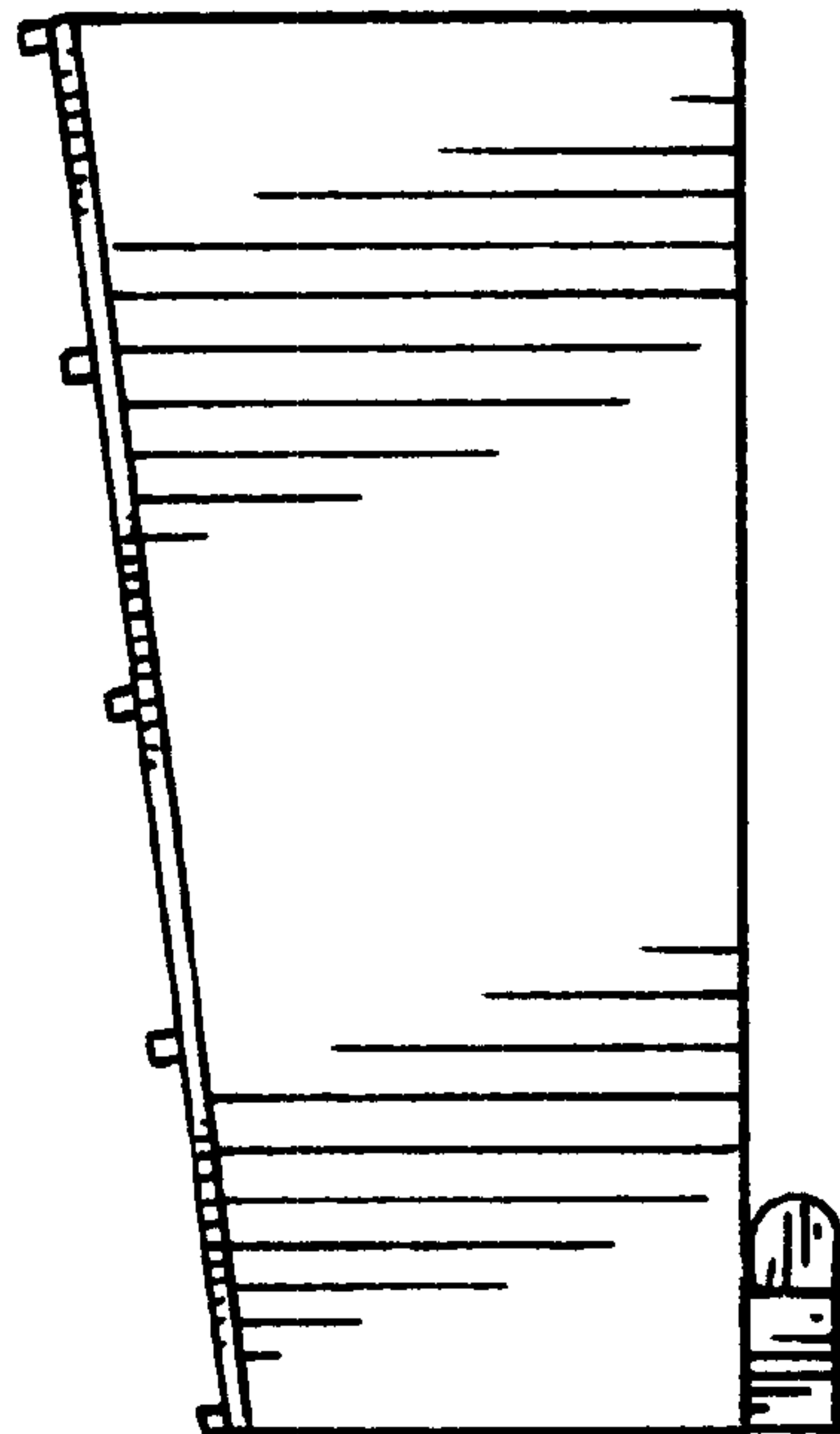


FIG. 4



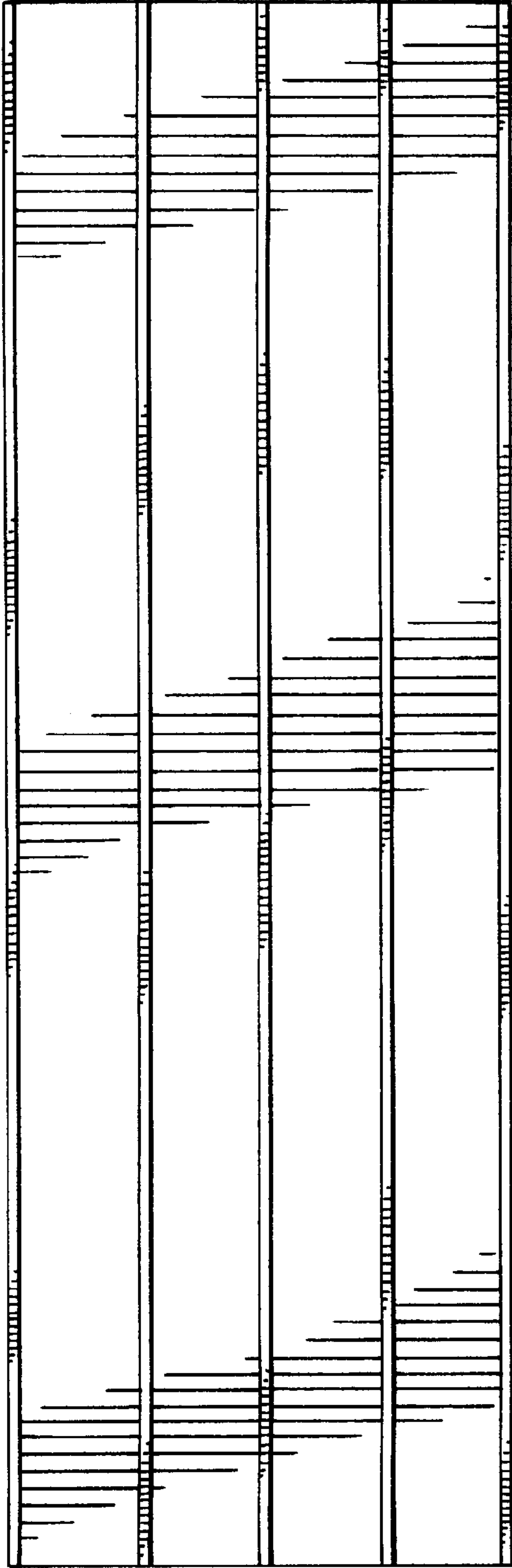


FIG. 6

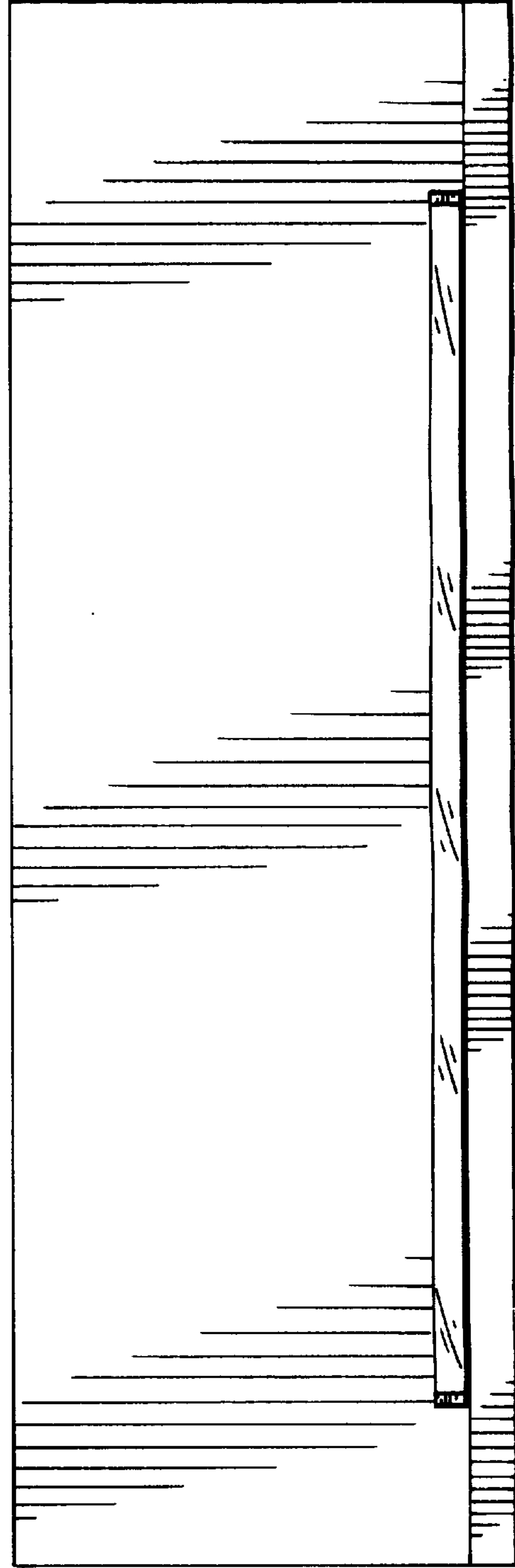


FIG. 7