



US00D486680S

(12) **United States Design Patent**  
**AlJizawi**

(10) **Patent No.:** **US D486,680 S**

(45) **Date of Patent:** **\*\* Feb. 17, 2004**

(54) **PAPER TOWEL HOLDER**

(75) Inventor: **Hakim Mahmoud AlJizawi**, Arcadia, CA (US)

(73) Assignee: **Hakim M. Aljizawi**, Arcadia, CA (US)

(\*\*) Term: **14 Years**

(21) Appl. No.: **29/179,302**

(22) Filed: **Apr. 8, 2003**

(51) **LOC (7) Cl.** ..... **23-02**

(52) **U.S. Cl.** ..... **D6/522**

(58) **Field of Search** ..... D6/518-523; 206/389; 211/13.1, 85.5, 6, 45, 123; 242/570, 579, 590, 595, 596, 598, 600; 248/176.1

(56) **References Cited**

**U.S. PATENT DOCUMENTS**

- D327,598 S \* 7/1992 Emery ..... D6/549
- D336,582 S \* 6/1993 Harrison ..... D6/522
- D365,234 S \* 12/1995 Bragazzi et al. .... D6/523

- D405,992 S \* 2/1999 Lee et al. .... D6/522
- D406,208 S \* 3/1999 Law ..... D6/523

\* cited by examiner

*Primary Examiner*—Brian N. Vinson

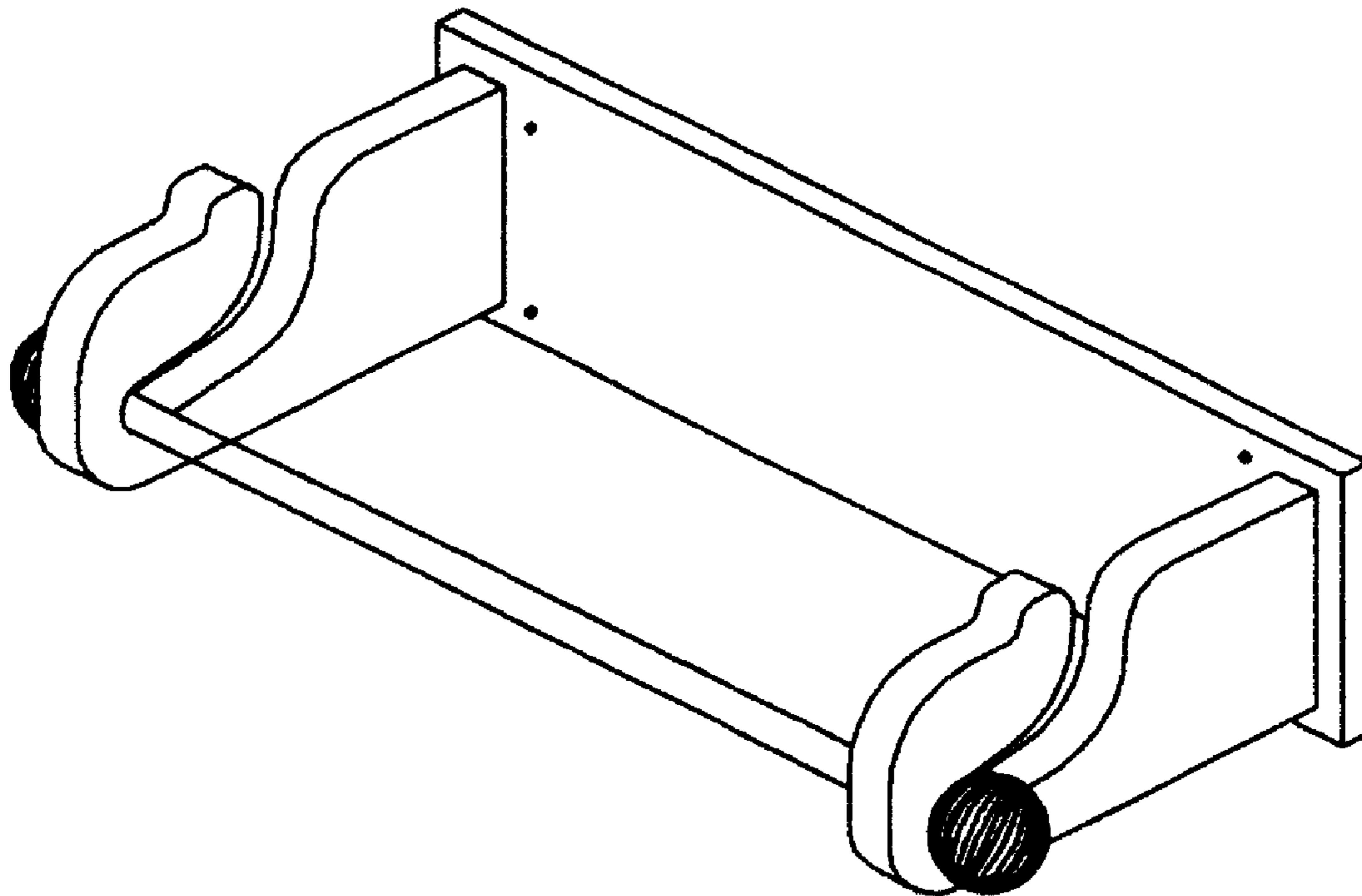
(57) **CLAIM**

The ornamental design for a paper towel holder, as shown and described.

**DESCRIPTION**

FIG. 1 is a top, front, and right side perspective view of a paper towel holder showing my new design;  
 FIG. 2 is a top, front, and right side perspective view of the frame portion thereof;  
 FIG. 3 is a top, front, and right side perspective view of the rod portion thereof;  
 FIG. 4 is a top, front, and right side perspective view thereof, showing the holder mounted in an alternative position; and,  
 FIG. 5 is a top, front, and right side perspective view of the frame portion thereof mounted in an alternative position.

**1 Claim, 2 Drawing Sheets**



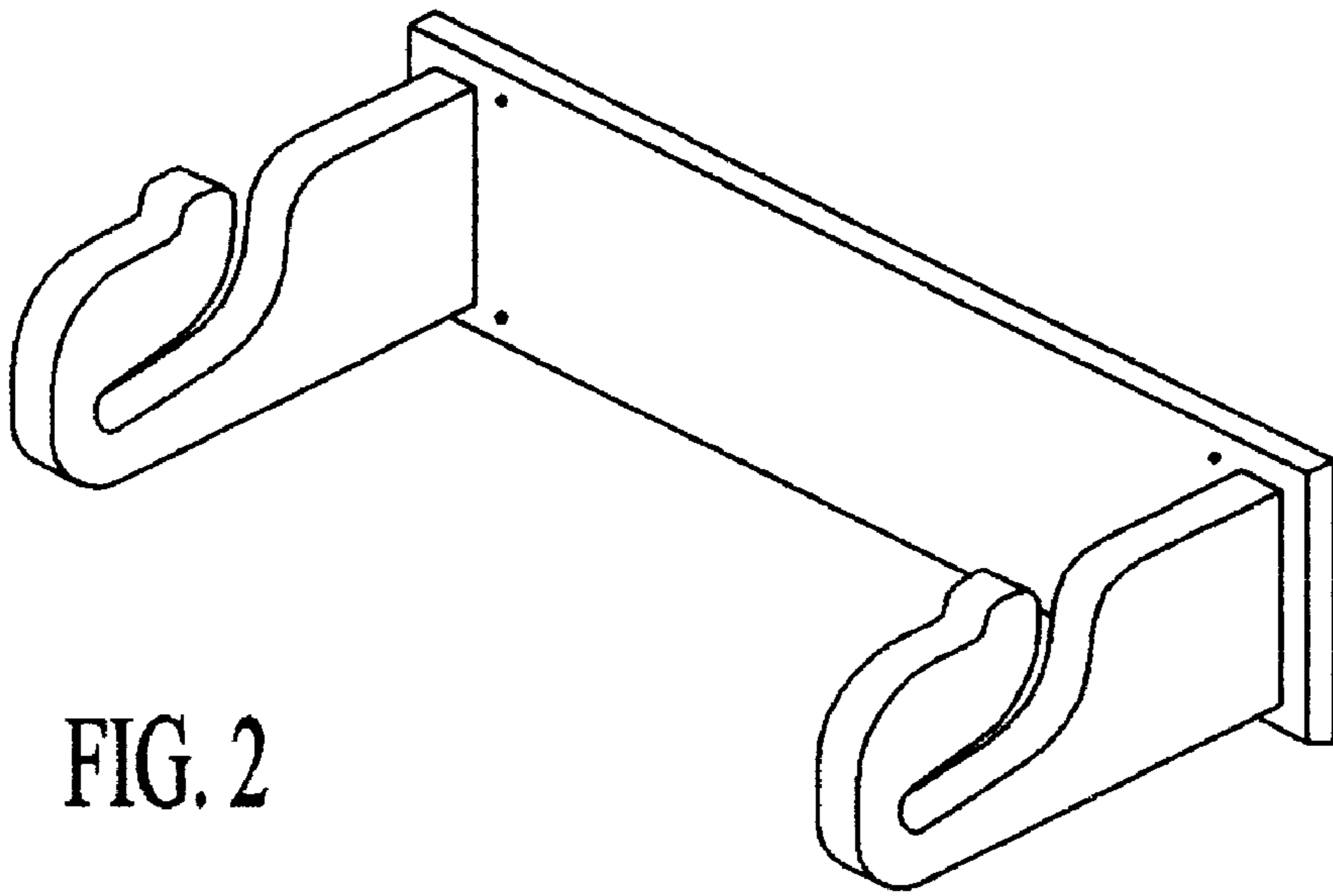


FIG. 2

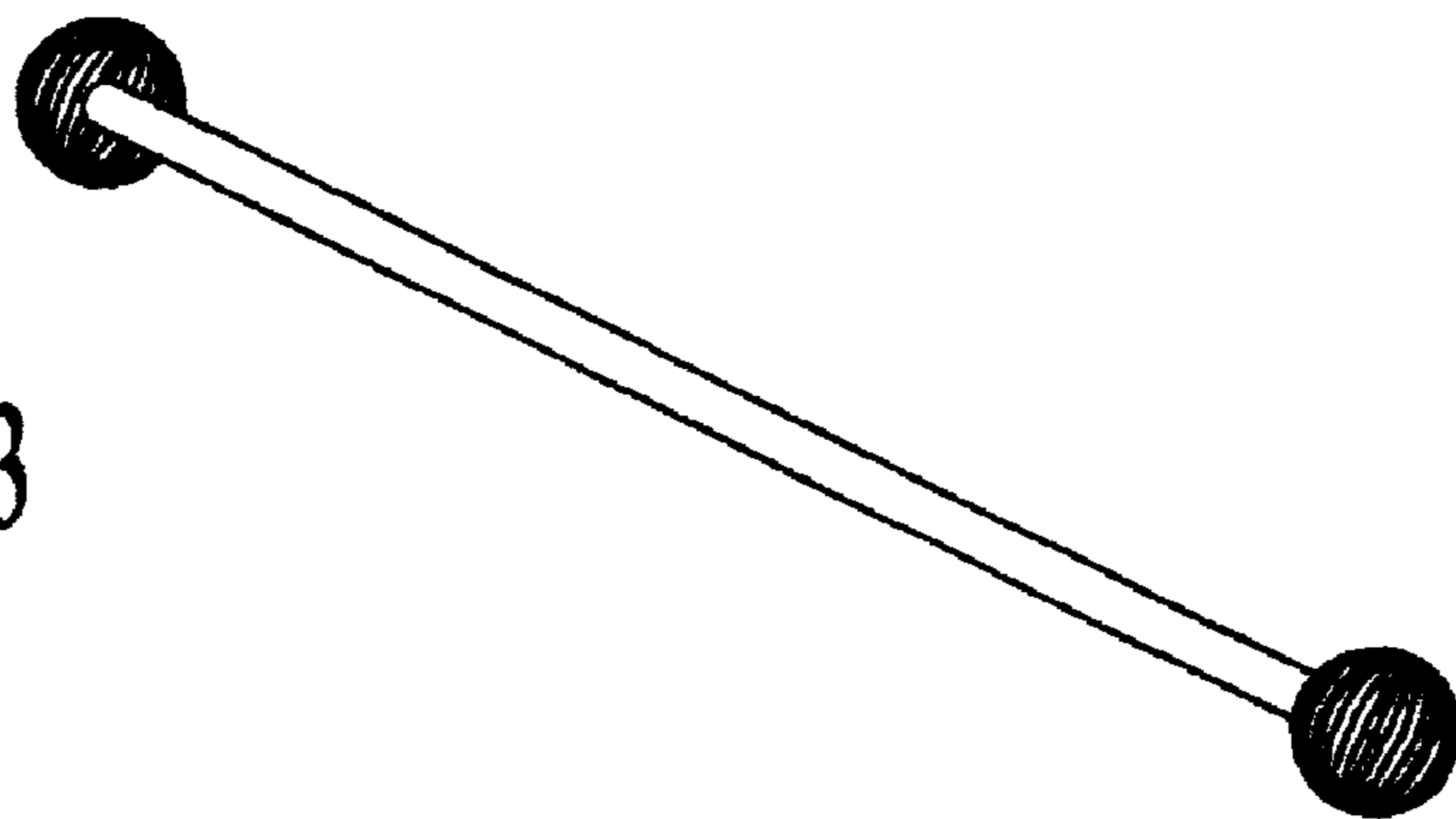


FIG. 3

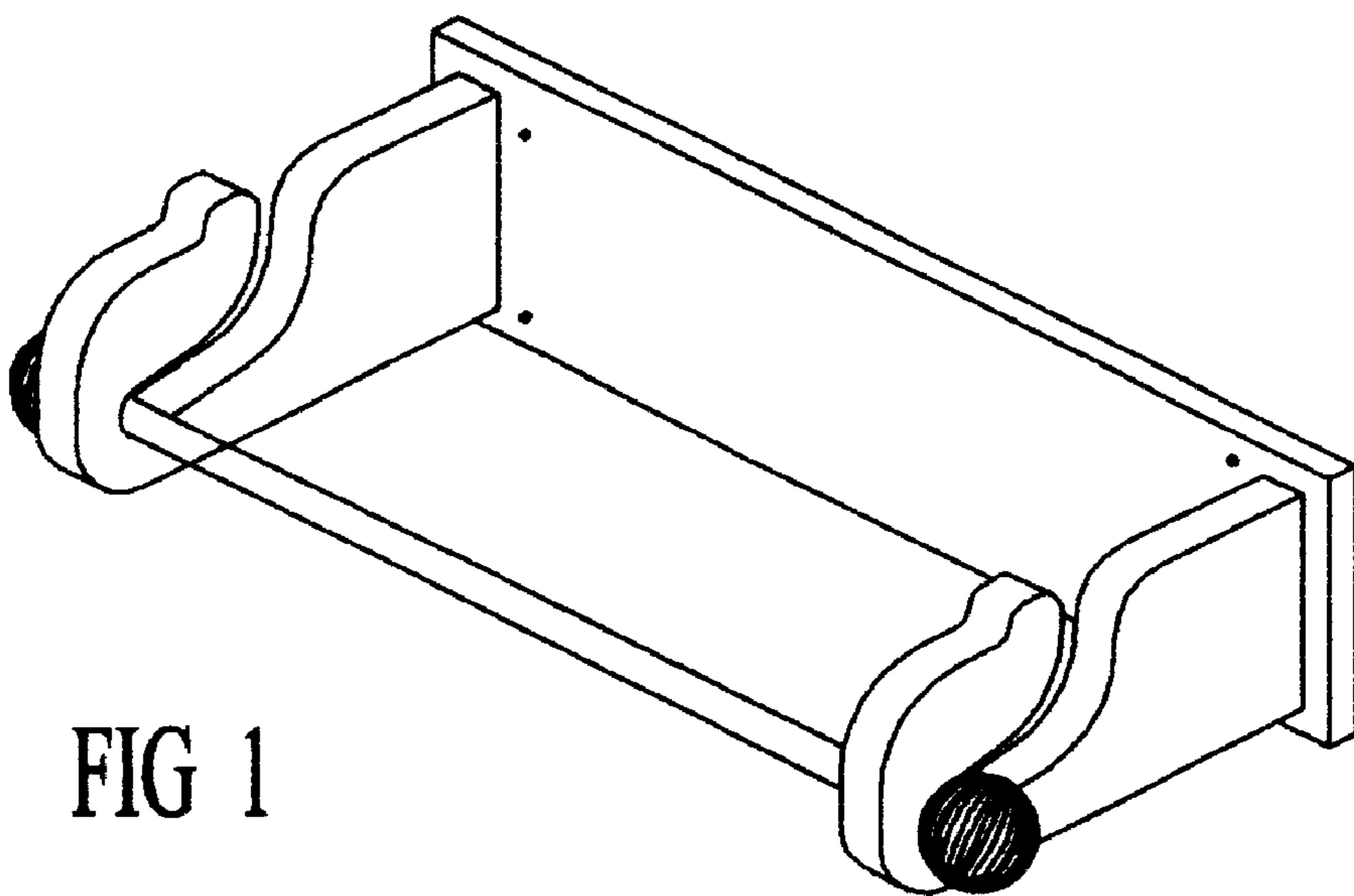


FIG 1

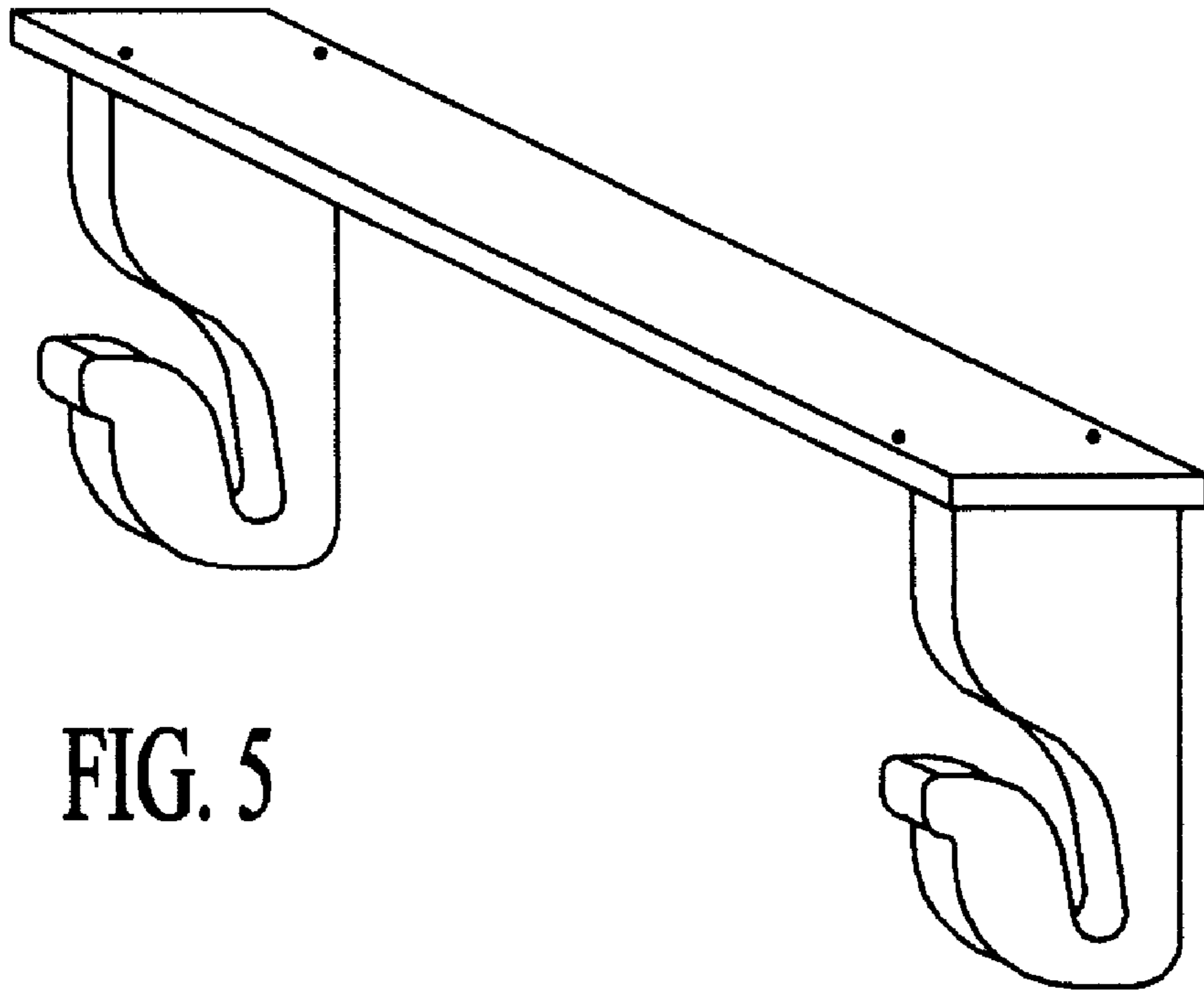


FIG. 5

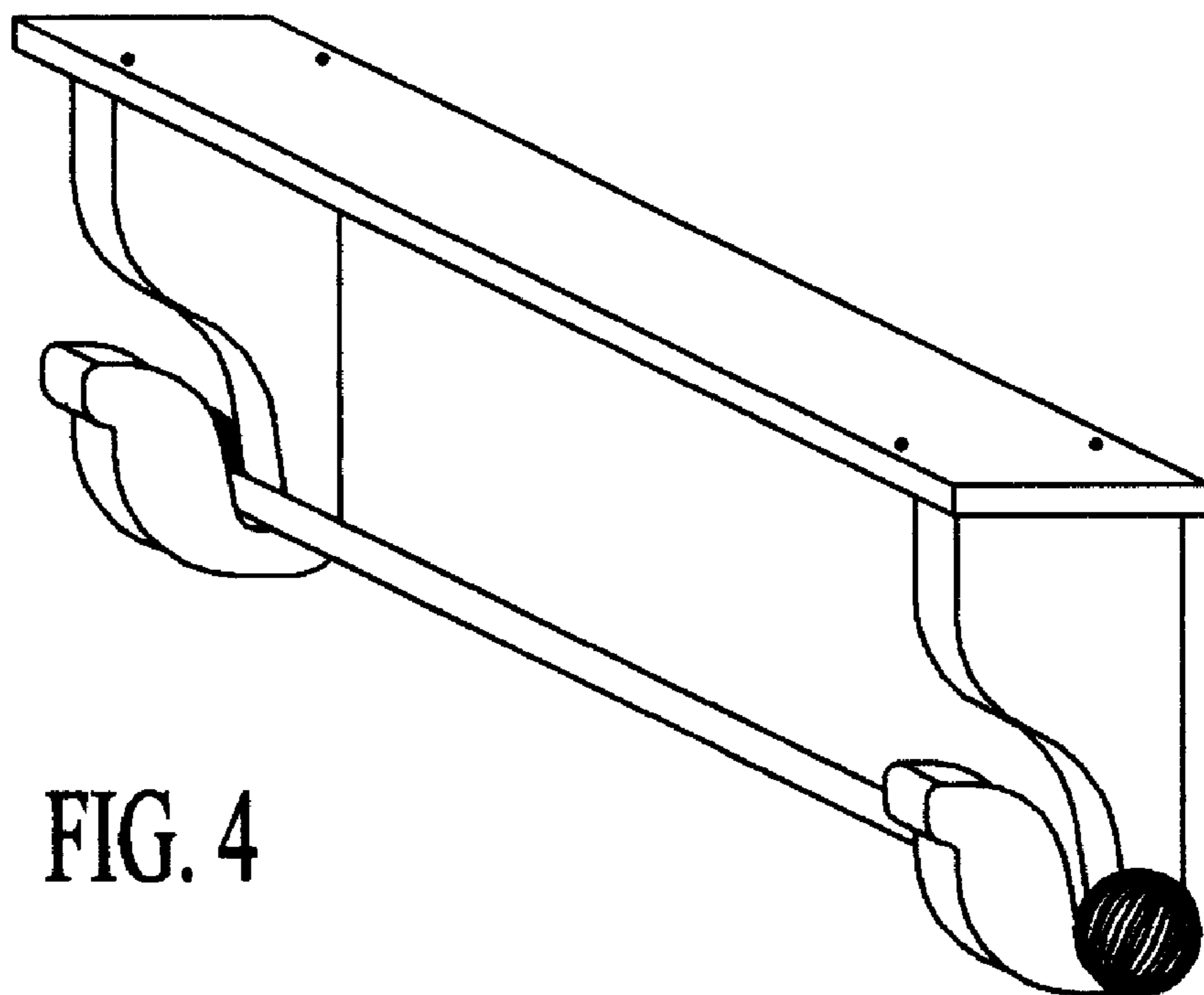


FIG. 4