



US00D486679S

(12) **United States Design Patent**
Linder

(10) **Patent No.:** **US D486,679 S**

(45) **Date of Patent:** **** Feb. 17, 2004**

(54) **WORKSTATION ASSEMBLY**

(75) Inventor: **Steven E. Linder**, Portland, OR (US)

(73) Assignee: **Anthro Corporation**, Tualatin, OR (US)

(**) Term: **14 Years**

(21) Appl. No.: **29/160,410**

(22) Filed: **May 10, 2002**

(51) **LOC (7) Cl.** **06-06**

(52) **U.S. Cl.** **D6/511; D6/480**

(58) **Field of Search** D6/480-489, 511,
D6/427; 108/50.01, 50.02; 312/194-196,
204, 208.1, 208.2, 208.4

(56) **References Cited**

U.S. PATENT DOCUMENTS

D282,132 S	*	1/1986	Santner	D6/511
D367,378 S	*	2/1996	Green et al.	D6/428
D396,576 S	*	8/1998	Moore	D6/422
D440,798 S	*	4/2001	Kuhlman et al.	D6/511
D468,142 S	*	1/2003	Plavsic	D6/511

* cited by examiner

Primary Examiner—Janice E. Seeger

(74) *Attorney, Agent, or Firm*—Stoel Rives LLP

(57) **CLAIM**

The ornamental design for a workstation assembly, as shown and described.

DESCRIPTION

FIG. 1 is a rear perspective view of a workstation assembly in use with its intended environment shown in broken lines; FIG. 2 is a front perspective view thereof; FIG. 3 is a front elevation view thereof; FIG. 4 is a rear elevation view thereof; FIG. 5 is a left side elevation view thereof; FIG. 6 is a top plan view thereof; and, FIG. 7 is a bottom plan view thereof.

The broken lines in FIGS. 1-7 are illustrative of an environmental structure only and form no part of the claimed design. The right side elevation view and left side elevation view are mirror images. Only the left side elevation view is illustrated.

1 Claim, 7 Drawing Sheets

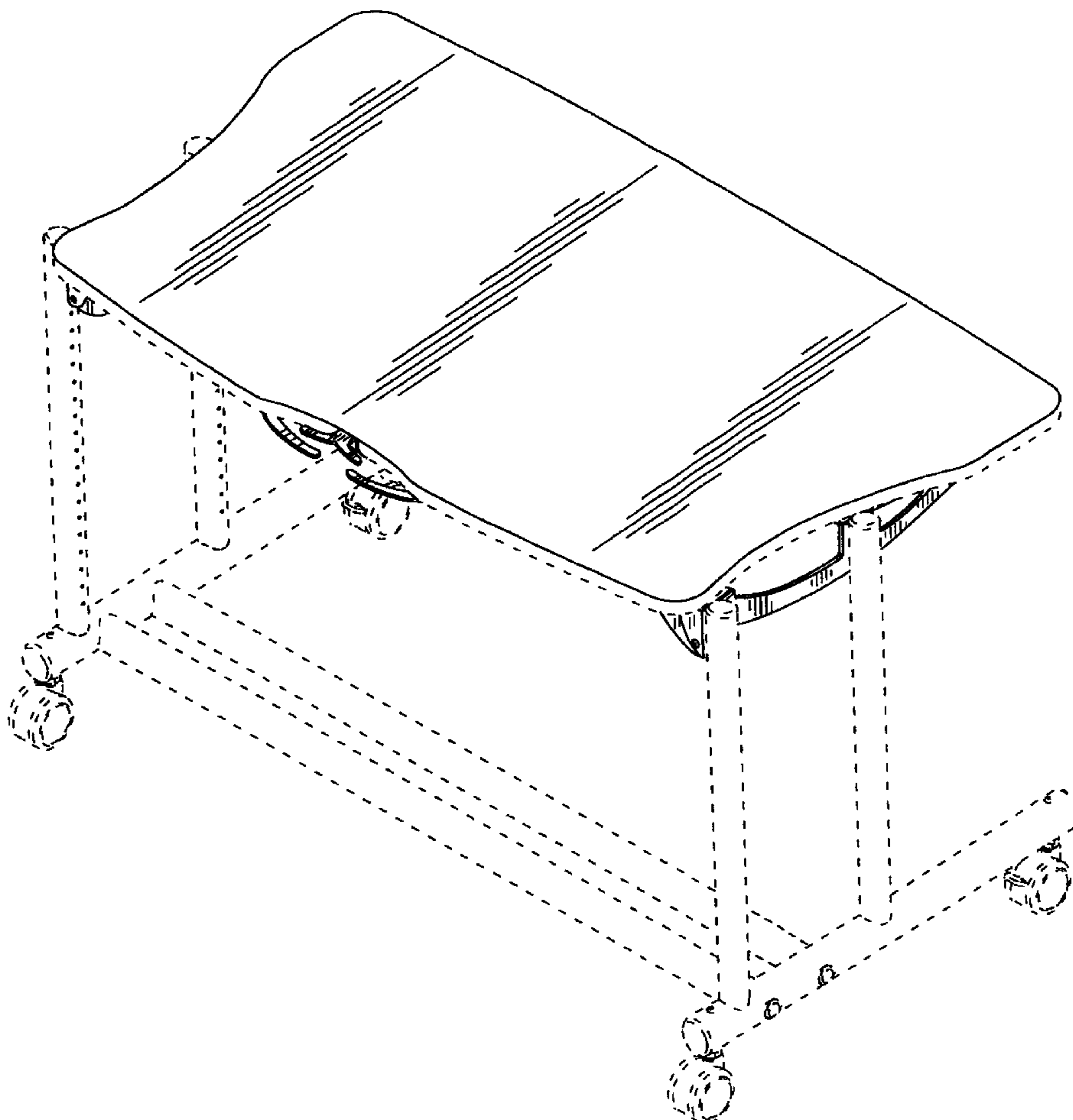


FIG. 1

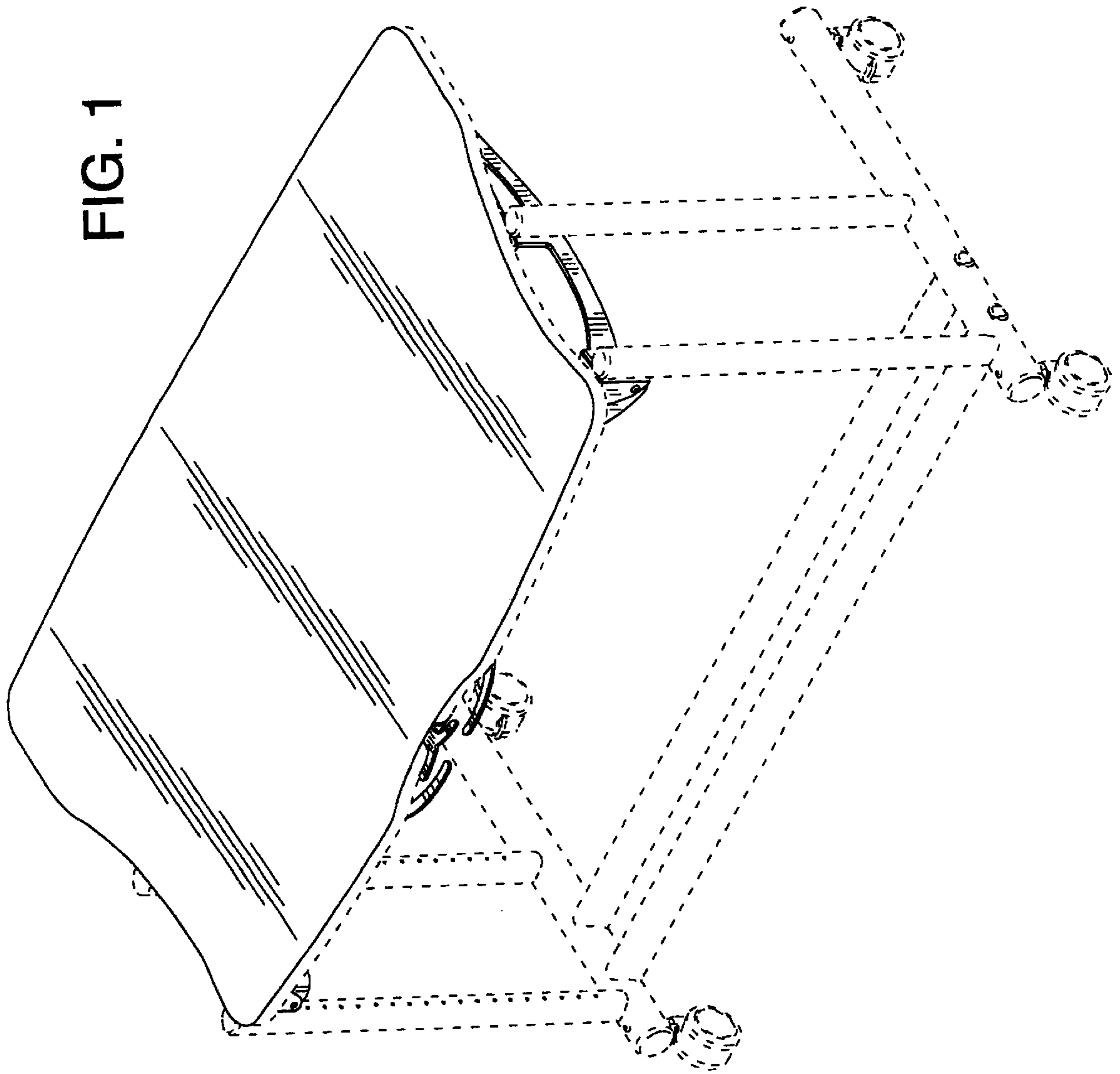


FIG. 2

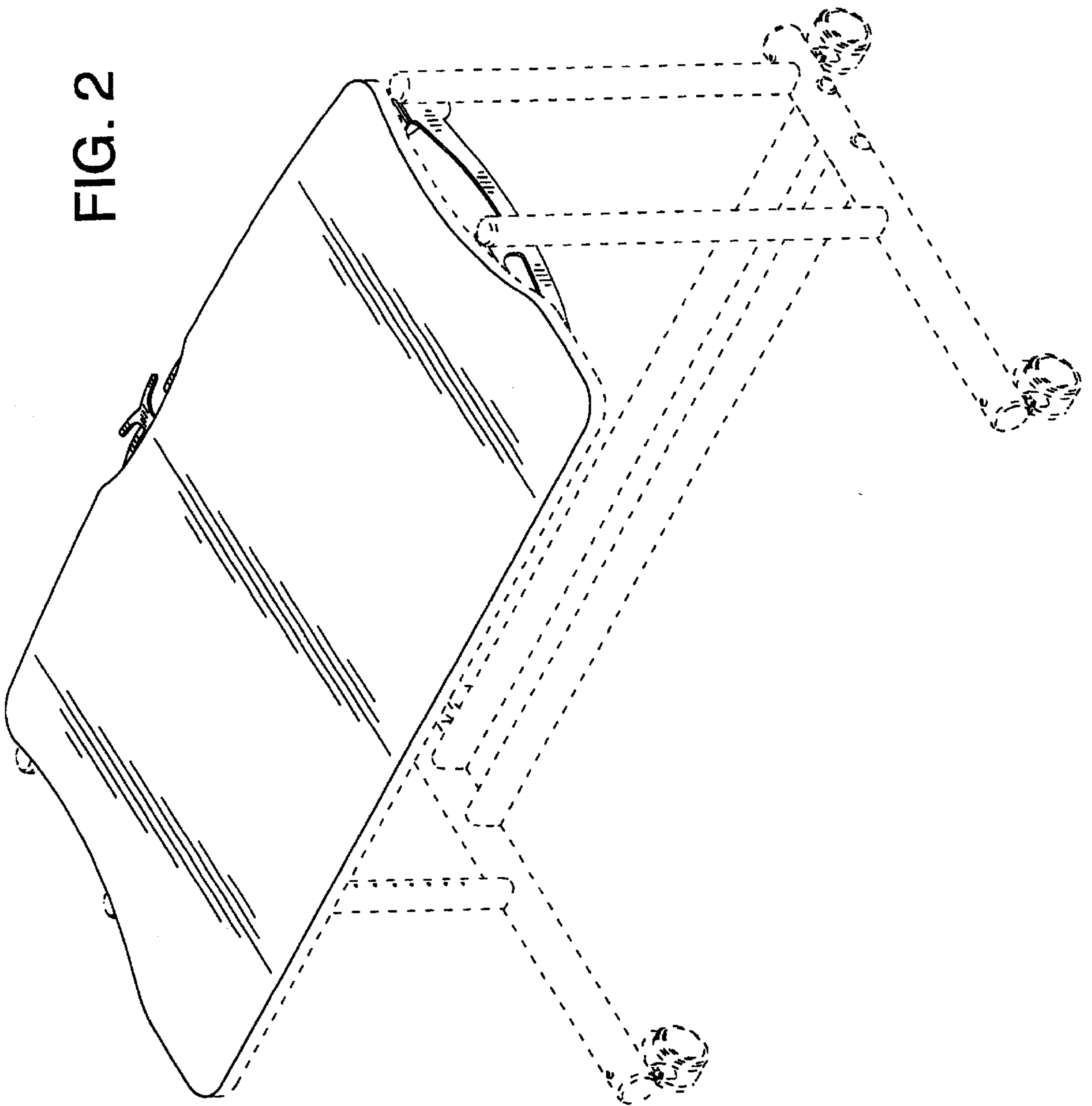
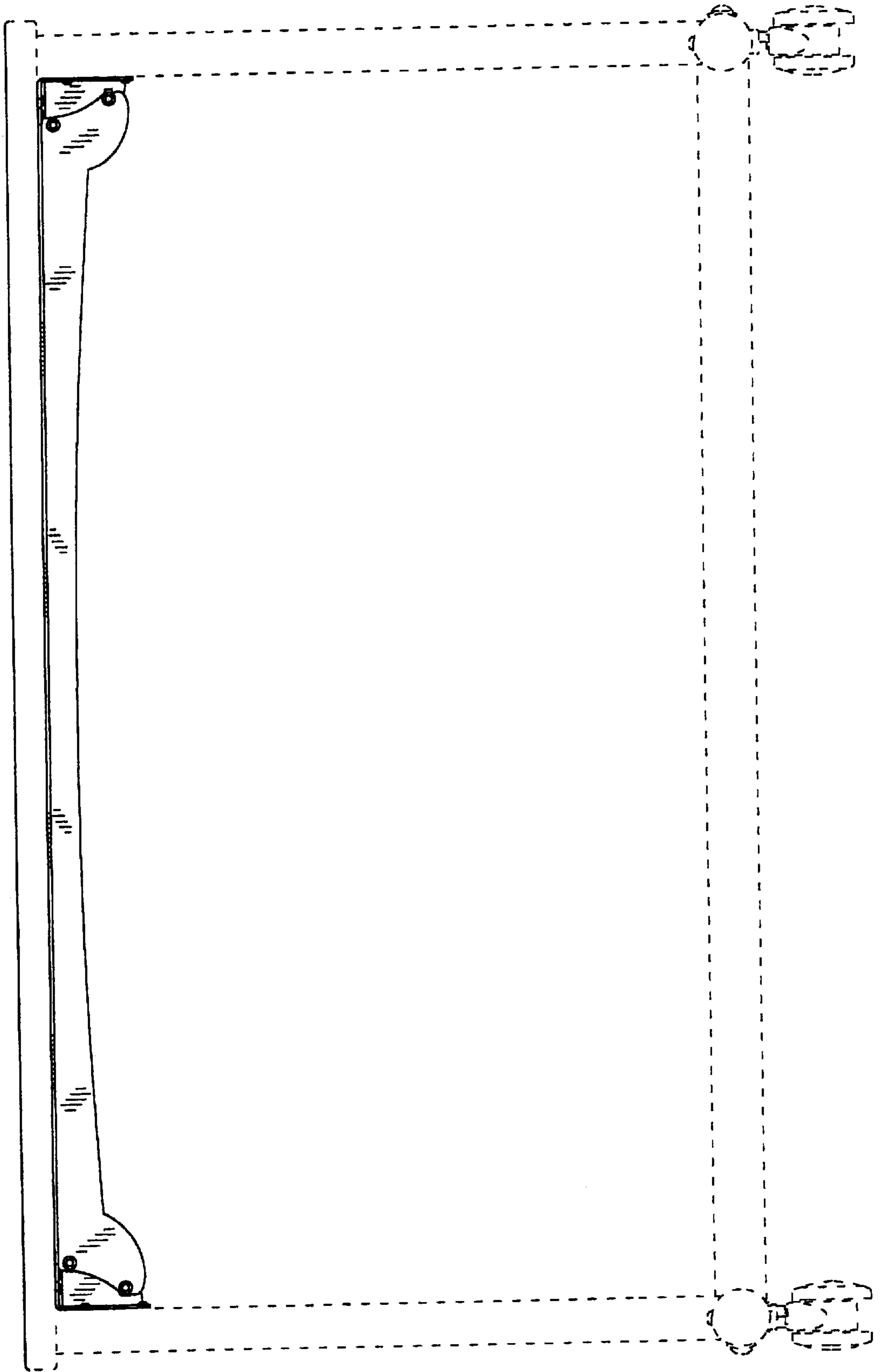


FIG. 3



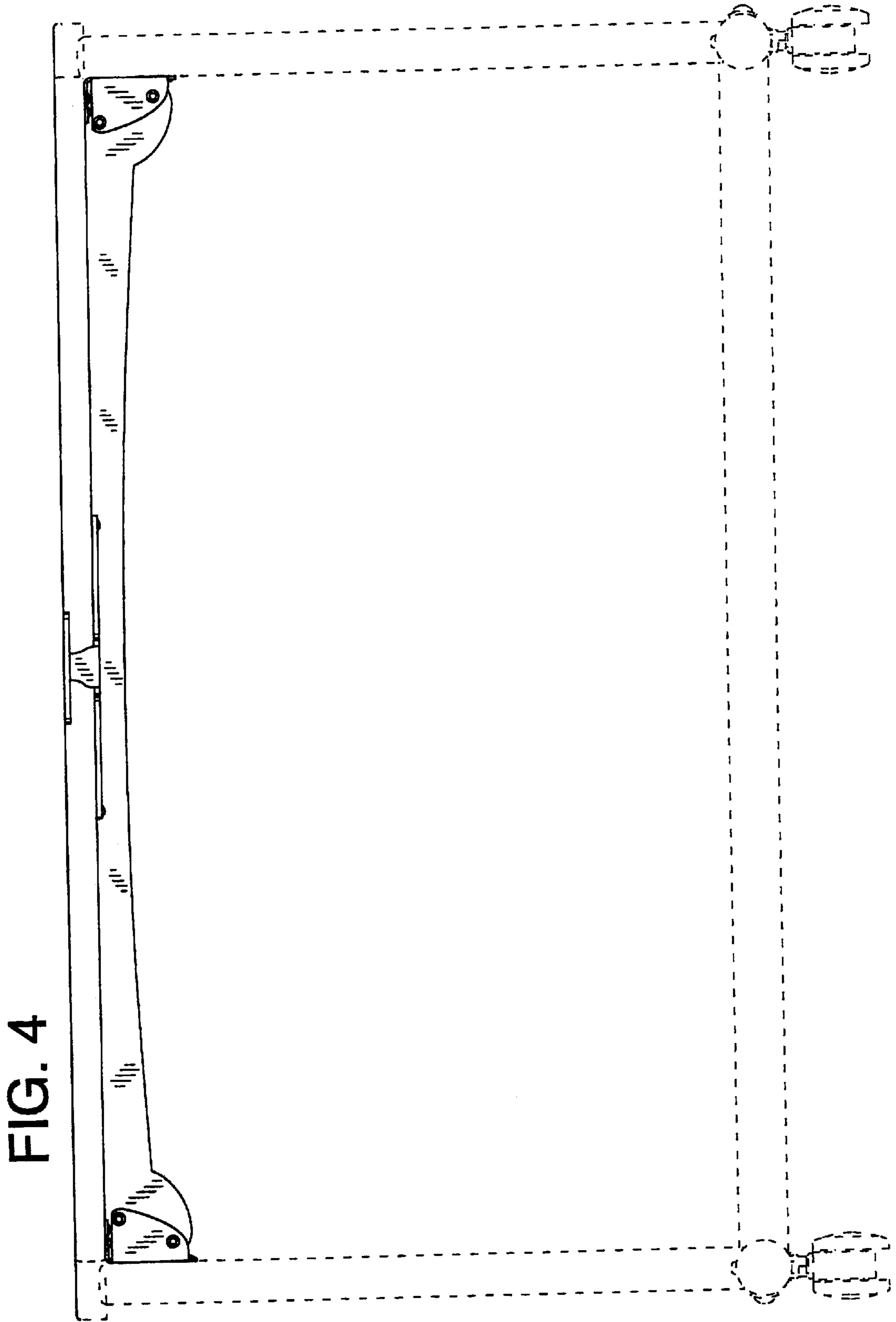


FIG. 5

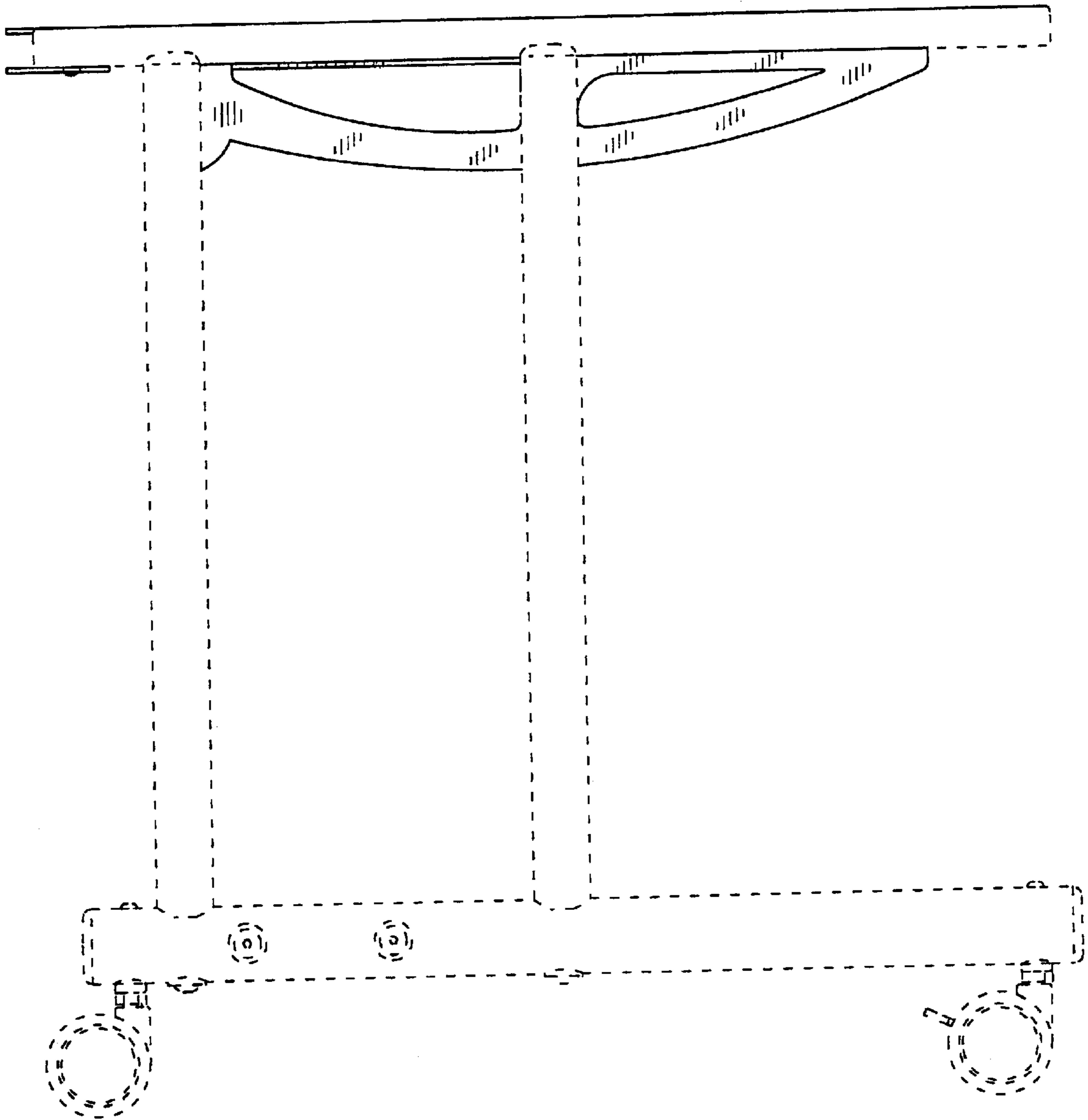


FIG. 6

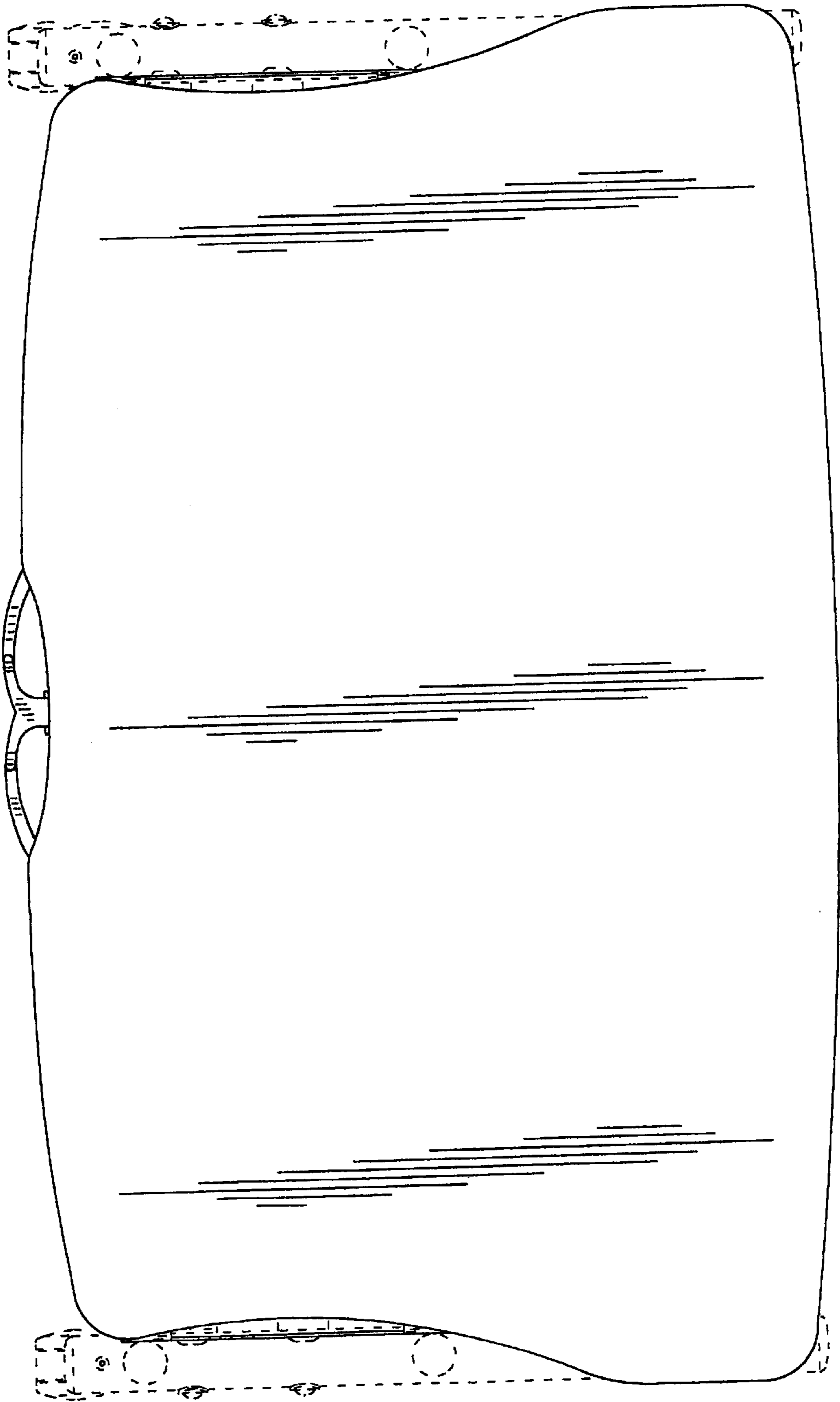


FIG. 7

