



US00D486677S

(12) **United States Design Patent**
Barile, Sr.

(10) **Patent No.:** **US D486,677 S**

(45) **Date of Patent:** **** Feb. 17, 2004**

(54) **BACK FOR CURVED SEAT WITH COMPOUND ANGLES**

(75) Inventor: **Peter Barile, Sr.**, Morristown, TN (US)

(73) Assignee: **Daniel Paul Chairs, LLC**, Morristown, TN (US)

(**) Term: **14 Years**

(21) Appl. No.: **29/180,489**

(22) Filed: **Apr. 24, 2003**

(51) **LOC (7) Cl.** **06-06**

(52) **U.S. Cl.** **D6/500**

(58) **Field of Search** D6/333, 334, 374,
D6/375, 379, 380, 500-502; 297/239, 285,
296, 297, 445.1

(56) **References Cited**

U.S. PATENT DOCUMENTS

| | | | | | | |
|-----------|---|---|---------|-----------------|-------|-----------|
| 3,556,594 | A | * | 1/1971 | Anderson | | 297/445.1 |
| 4,603,904 | A | * | 8/1986 | Tolleson et al. | | 297/296 |
| 5,564,787 | A | * | 10/1996 | Barile | | 297/445.1 |
| D395,967 | S | * | 7/1998 | Swy | | D6/502 |
| 5,902,012 | A | * | 5/1999 | Han | | 297/285 |
| D434,232 | S | * | 11/2000 | Abendschoen | | D6/333 |
| D439,069 | S | * | 3/2001 | Turner et al. | | D6/380 |

OTHER PUBLICATIONS

“A Complete Look at MTS,” MTS Seating Catalog, 1998. Shelby Williams Industries, Inc., “The Elegante Aluminum Chair,” Banquet, Conference Center & Function Room Furnishings Catalog, BQ-12A. 1999.

* cited by examiner

Primary Examiner—Robert M. Spear
Assistant Examiner—Mimosa De
(74) *Attorney, Agent, or Firm*—Pitts & Brittan, P.C.

(57) **CLAIM**

The ornamental design for a back for curved seat with compound angles, as shown and described.

DESCRIPTION

FIG. 1 is a perspective view of a back for curved seat with compound angles of the present invention;

FIG. 2 is a front elevation view of a back for curved seat with compound angles of the present invention;

FIG. 3 is a rear elevation view of a back for curved seat with compound angles of the present invention;

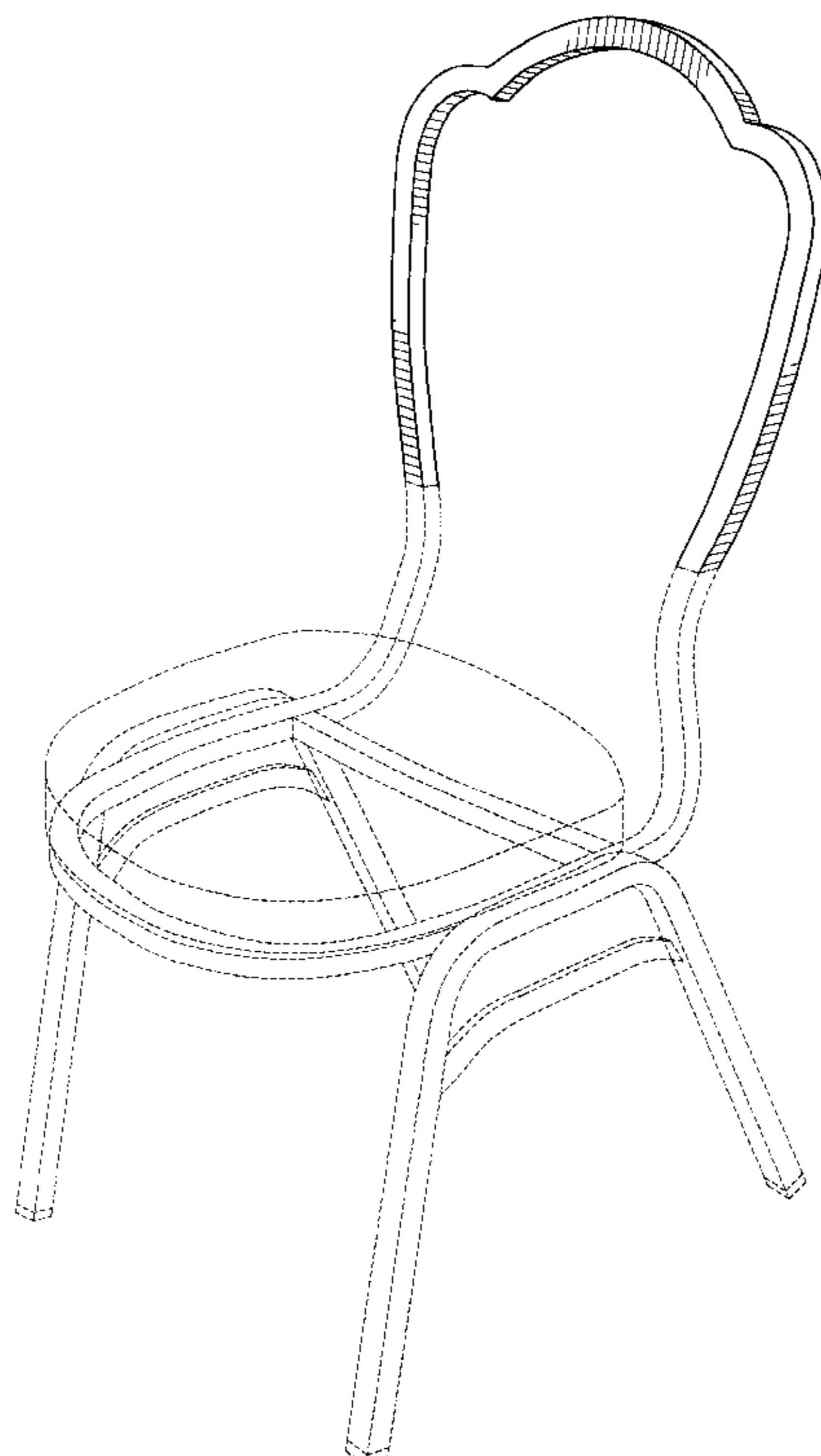
FIG. 4 is a left side elevation view of a back for curved seat with compound angles of the present invention, the right side elevation view being a mirror image thereof;

FIG. 5 is a top plan view of a back for curved seat with compound angles of the present invention; and,

FIG. 6 is a bottom plan view of a back for curved seat with compound angles of the present invention.

The features of the chair frame shown in broken lines are for illustrative purposes only and form no part of the claimed design.

1 Claim, 6 Drawing Sheets



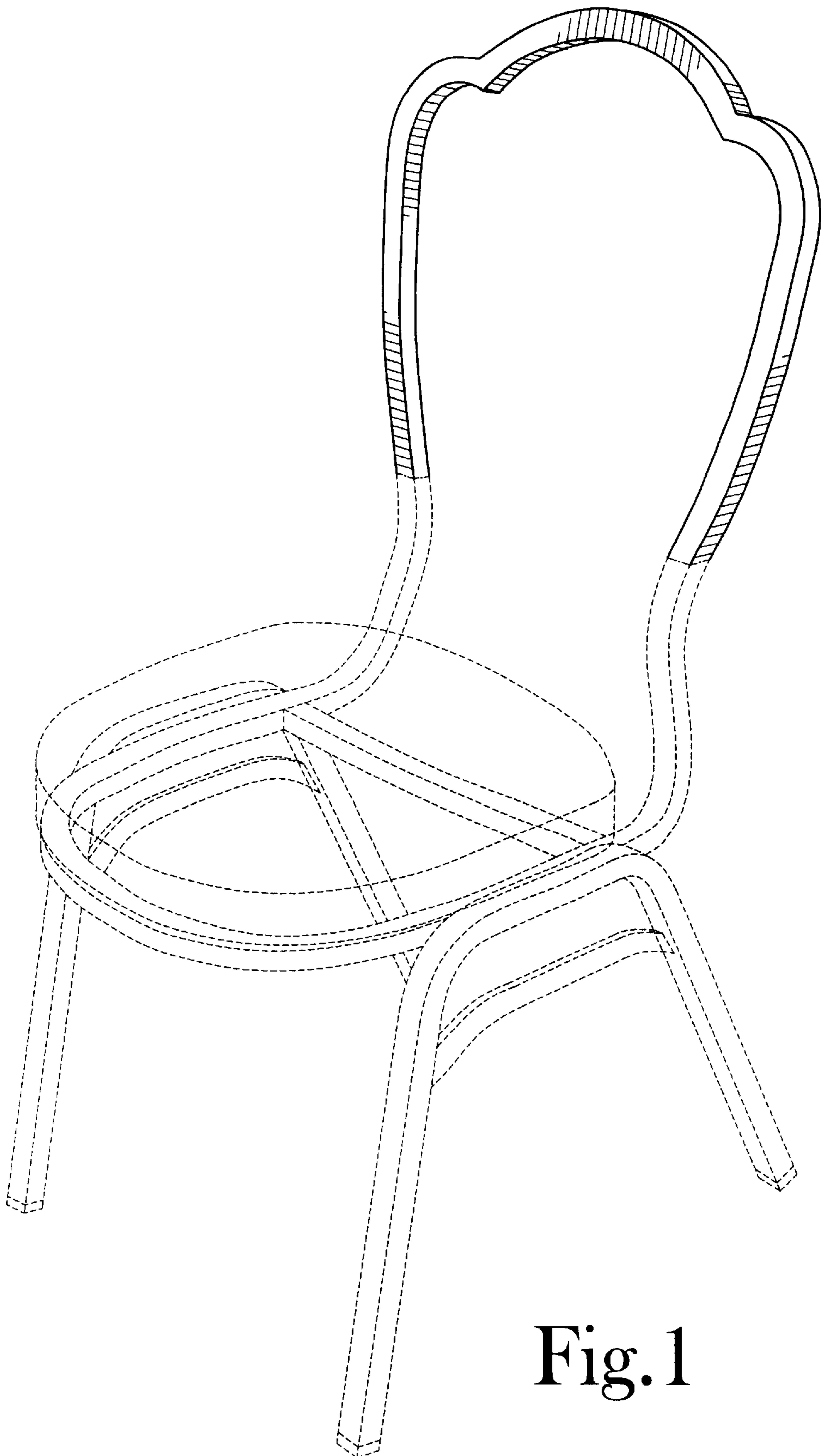


Fig. 1

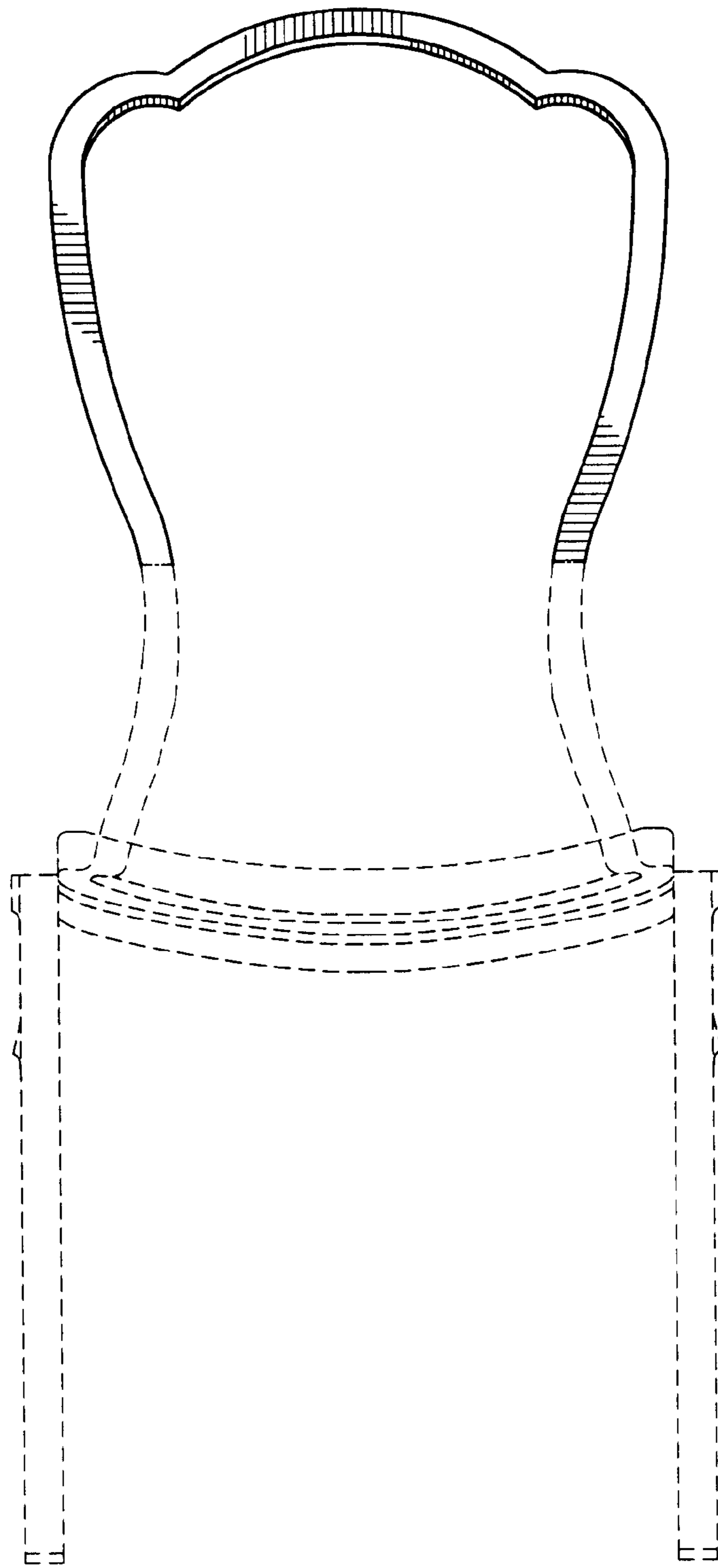


Fig. 2

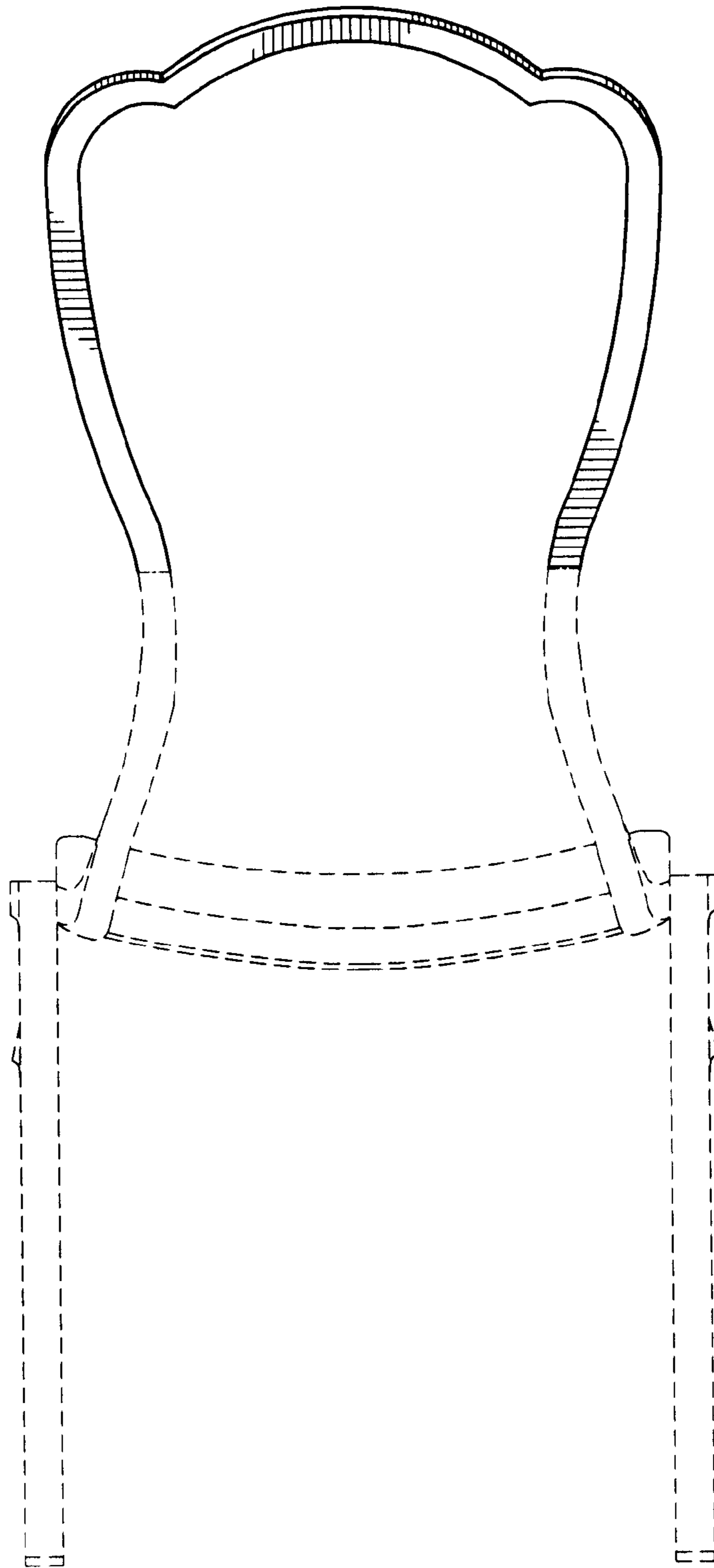


Fig. 3

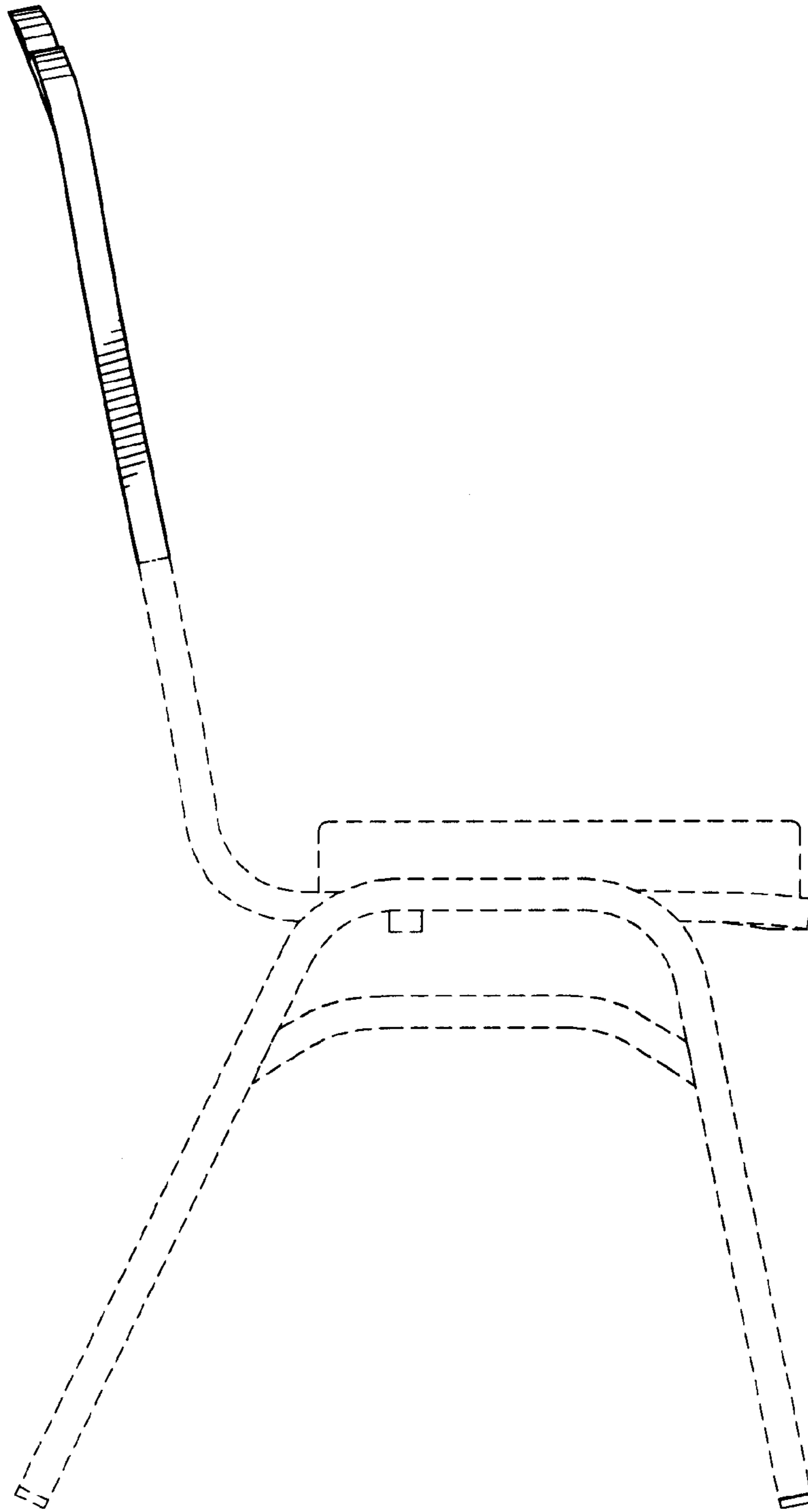


Fig. 4

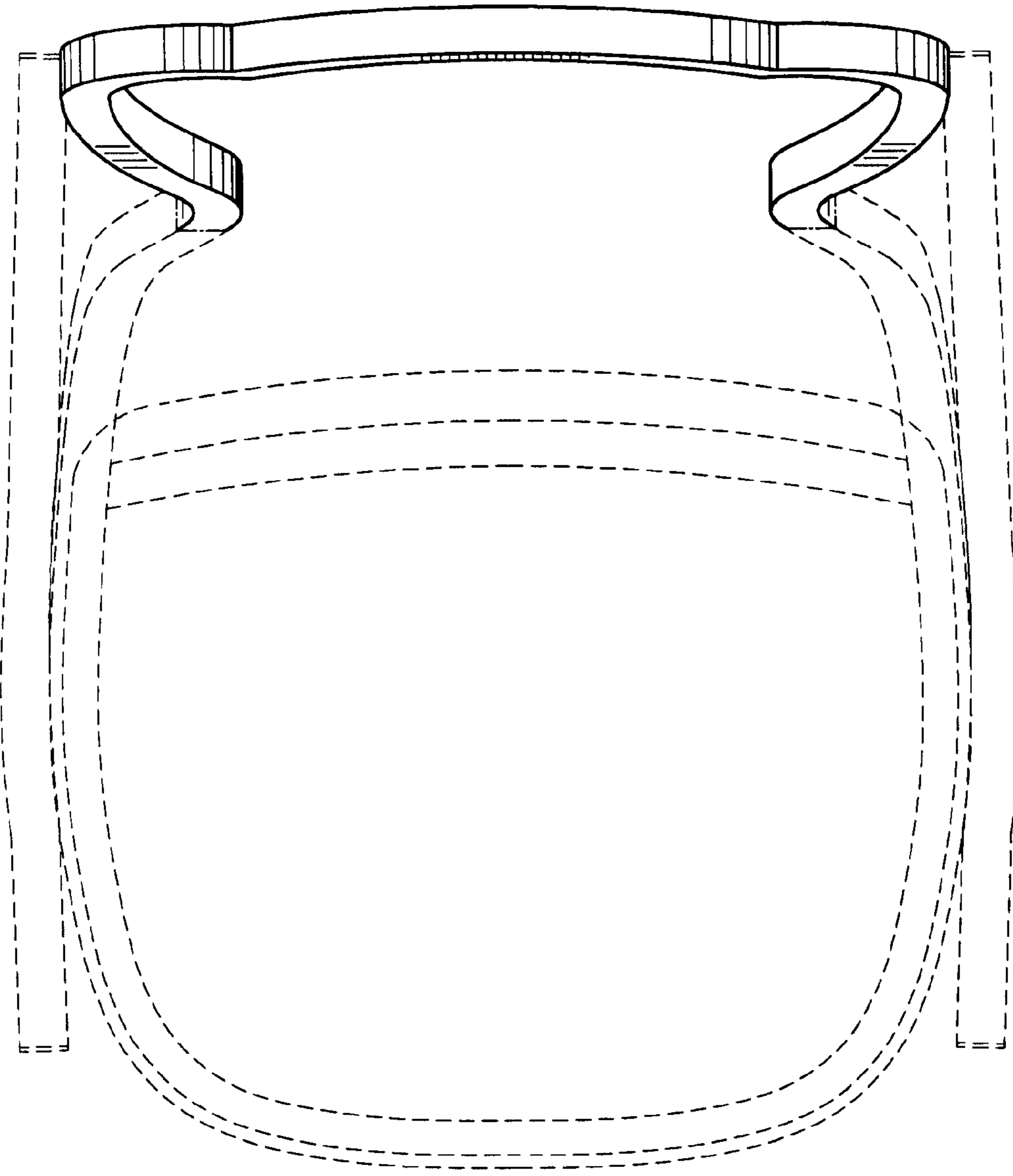


Fig. 5

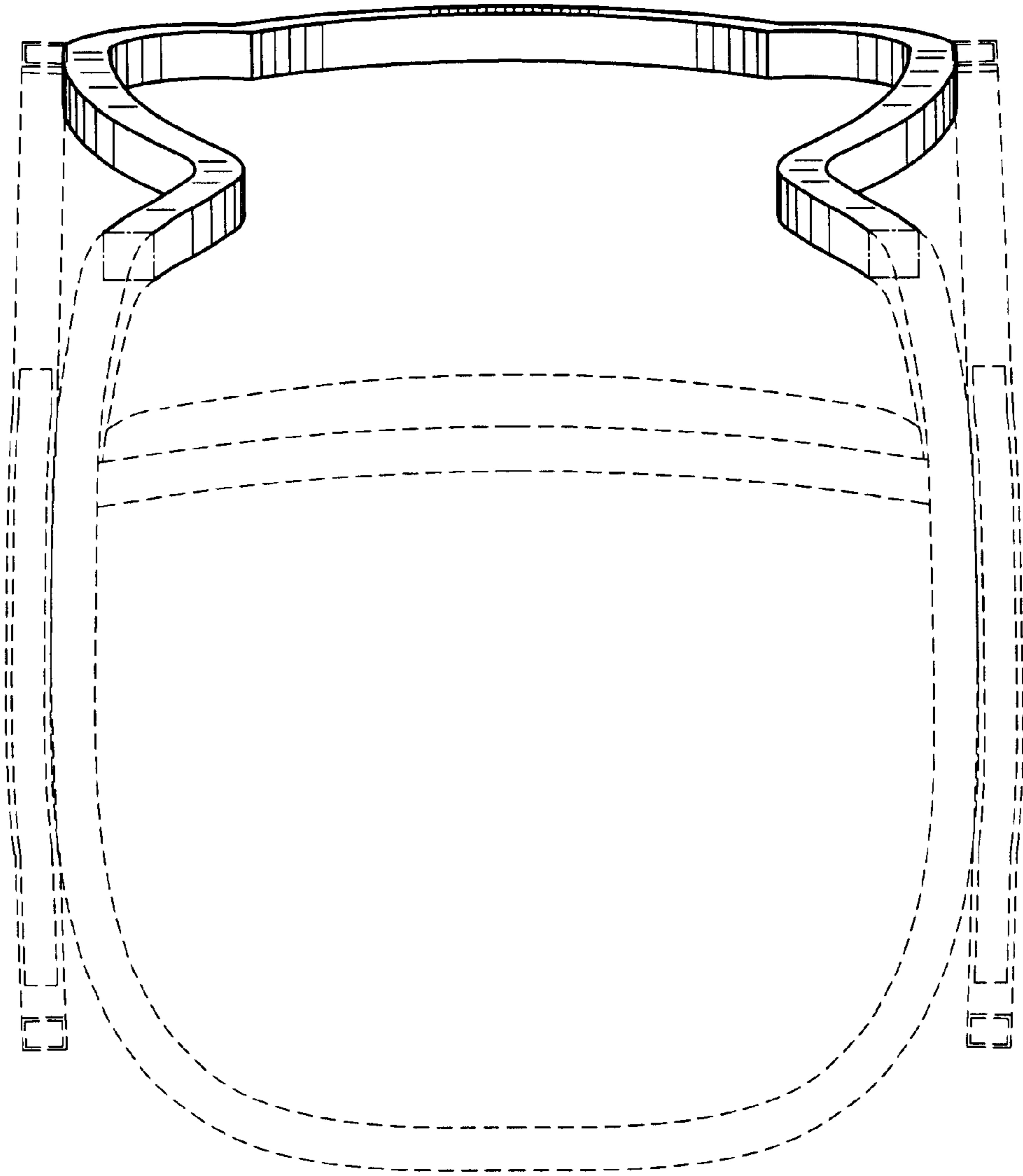


Fig.6