



US00D486675S

(12) **United States Design Patent**  
**Vaaler**

(10) **Patent No.:** **US D486,675 S**

(45) **Date of Patent:** **\*\* Feb. 17, 2004**

(54) **TABLE**

(75) Inventor: **Lawrence I. Vaaler**, Lenoir, NC (US)

(73) Assignee: **Bernhardt, L.L.C.**, Lenoir, NC (US)

(\*\*) Term: **14 Years**

(21) Appl. No.: **29/177,094**

(22) Filed: **Mar. 4, 2003**

(51) **LOC (7) Cl.** ..... **06-03**

(52) **U.S. Cl.** ..... **D6/480**

(58) **Field of Search** ..... D6/480-489, 511,  
D6/495; 108/150, 153.1, 155, 156, 157.1,  
161; 248/188, 188.1, 188.8

(56) **References Cited**

**U.S. PATENT DOCUMENTS**

D351,511 S	10/1994	Ferguson	.....	D6/379
D393,964 S	* 5/1998	Bergelin	.....	D6/480
D430,418 S	9/2000	O'Hare	.....	D6/334
D438,032 S	* 2/2001	Cain	.....	D6/484
D451,694 S	12/2001	Vaaler	.....	D6/379
D455,579 S	4/2002	Vaaler	.....	D6/480
D459,621 S	7/2002	O'Hare et al.	.....	D6/484
D462,546 S	9/2002	Vaaler	.....	D6/484
D468,923 S	1/2003	O'Hare	.....	D6/379
D468,925 S	1/2003	Vaaler	.....	D6/379
D477,728 S	* 7/2003	McDaniel et al.	.....	D6/480

**OTHER PUBLICATIONS**

Ethan Allen c1998, p. 358, #22-6543, table in center.\*  
Mastercraft, p. 14, table.\*

Color photocopy of three pictures of a table leg; origin unknown, undated; possible prior art.

Photocopy of *Chairs & Couches* by Curtis dated 1977.

Color photos of Council Craftsman desk circa 1992 (3 views).

Color photos of Council Craftsman side table circa 1992 (3 views).

Photocopy of *East Hampton* by Thomasville dated Apr. 1995.

Photocopy of *River Roads Diving Room* by Thomasville dated Jun. 1999.

\* cited by examiner

*Primary Examiner*—Janice E. Seeger

(74) *Attorney, Agent, or Firm*—MacCord Mason PLLC

(57) **CLAIM**

The ornamental design for a table, as shown and described.

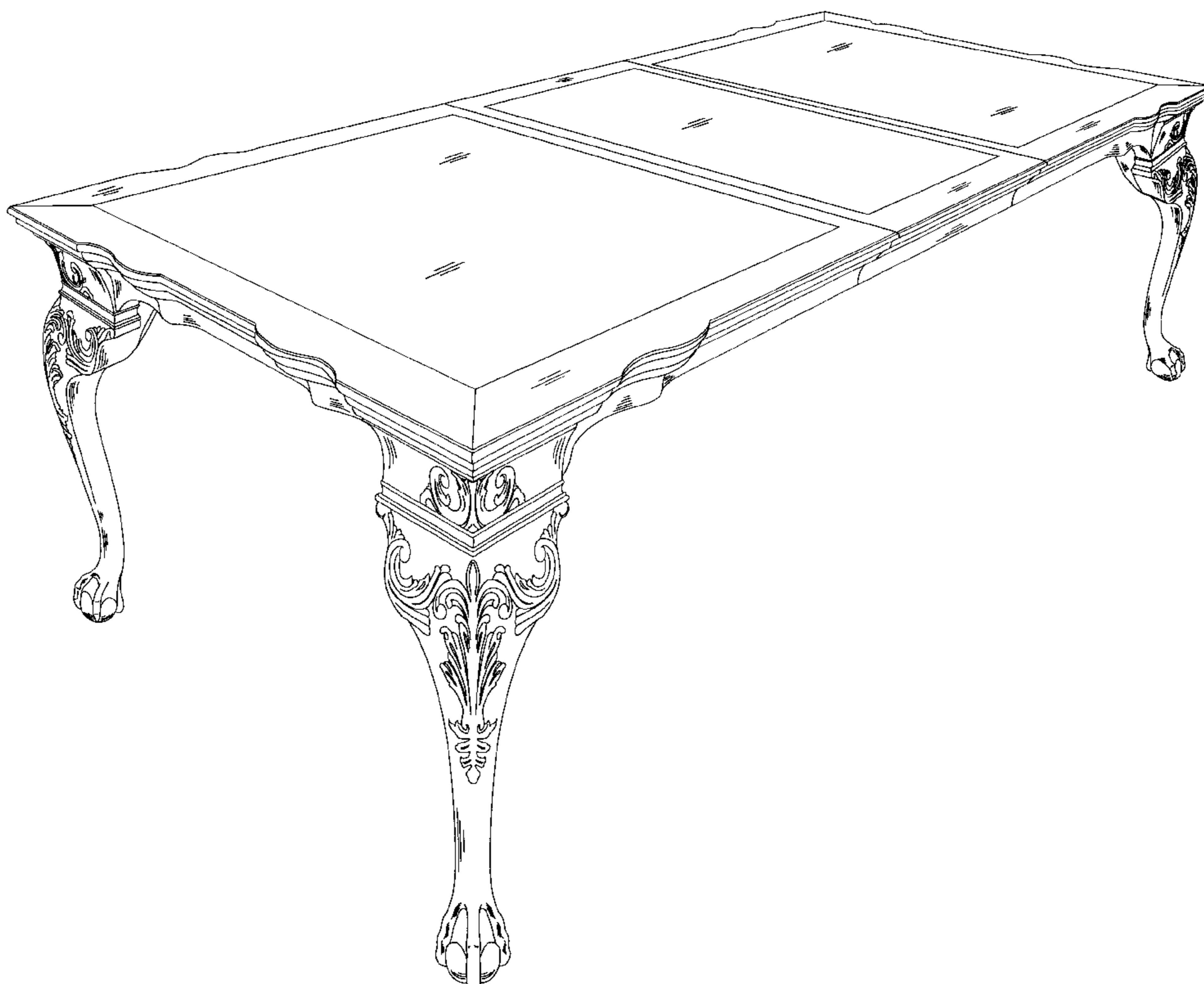
**DESCRIPTION**

FIG. 1 is a front perspective view of a table showing my new design;

FIG. 2 is a side view, the opposite side being a mirror image thereof; and,

FIG. 3 is an end view, the opposite end being a mirror image thereof.

**1 Claim, 3 Drawing Sheets**



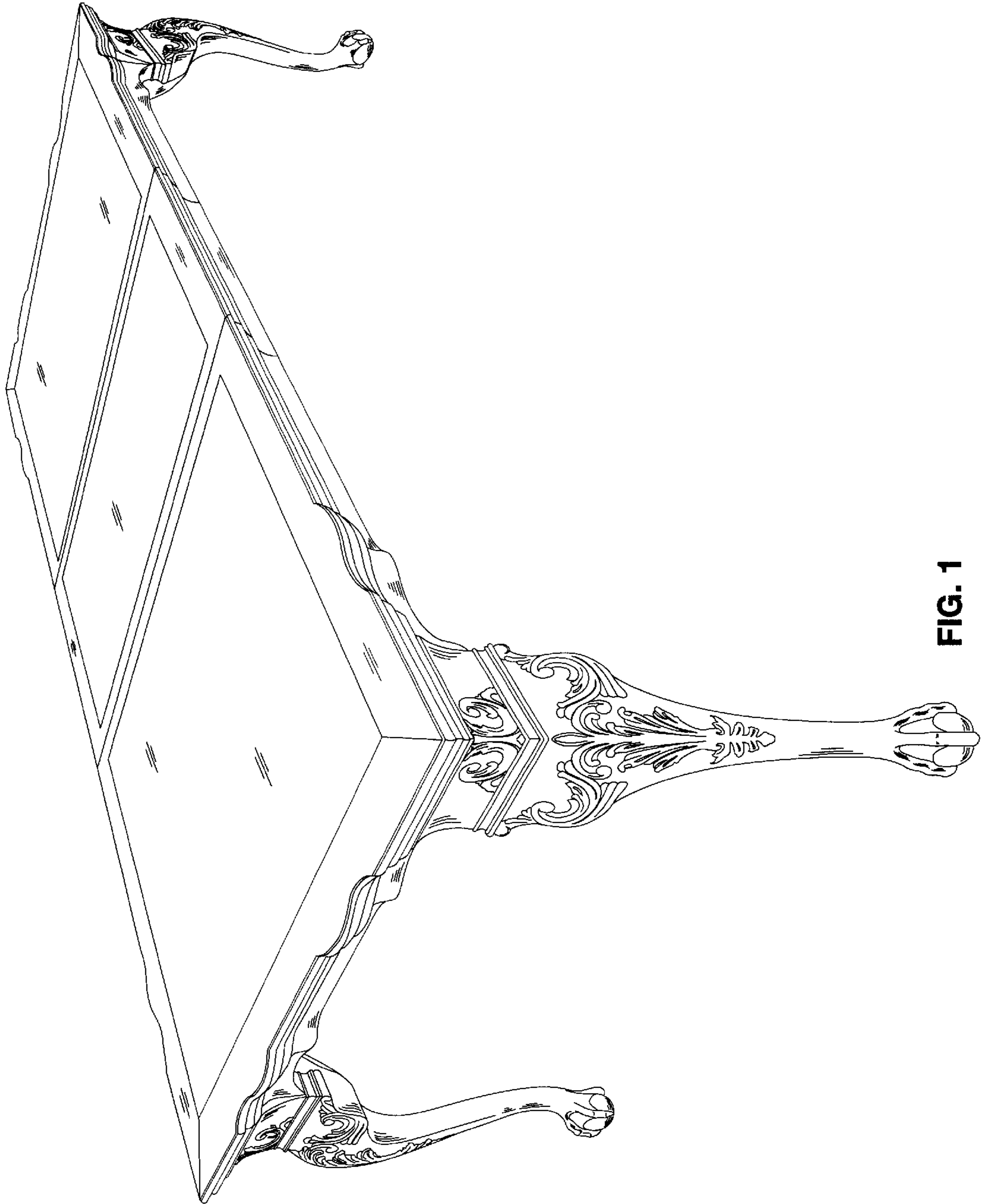


FIG. 1

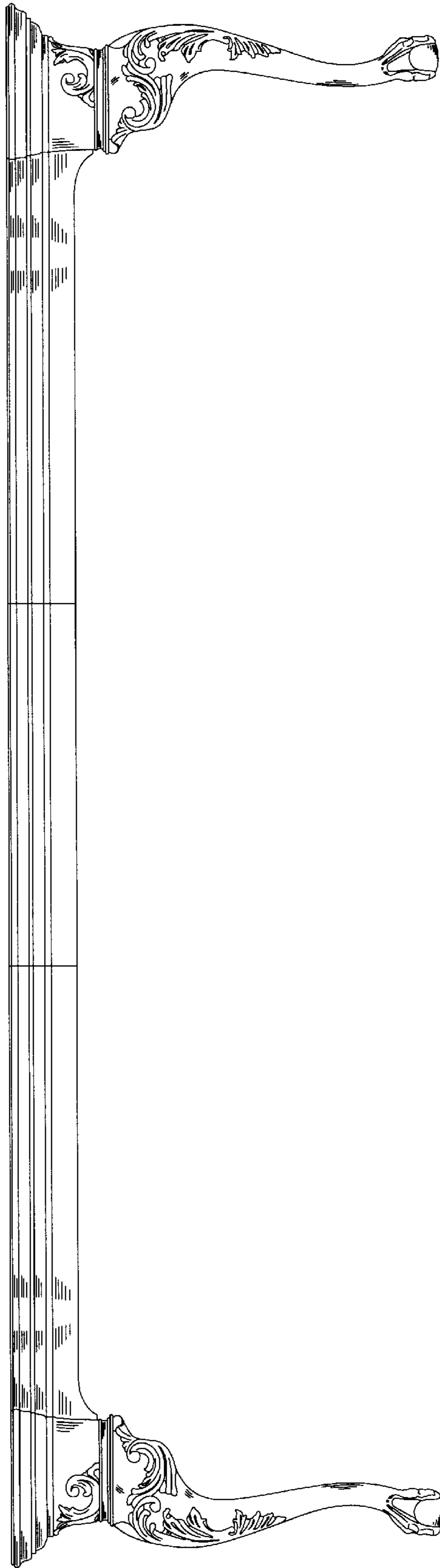


FIG. 2

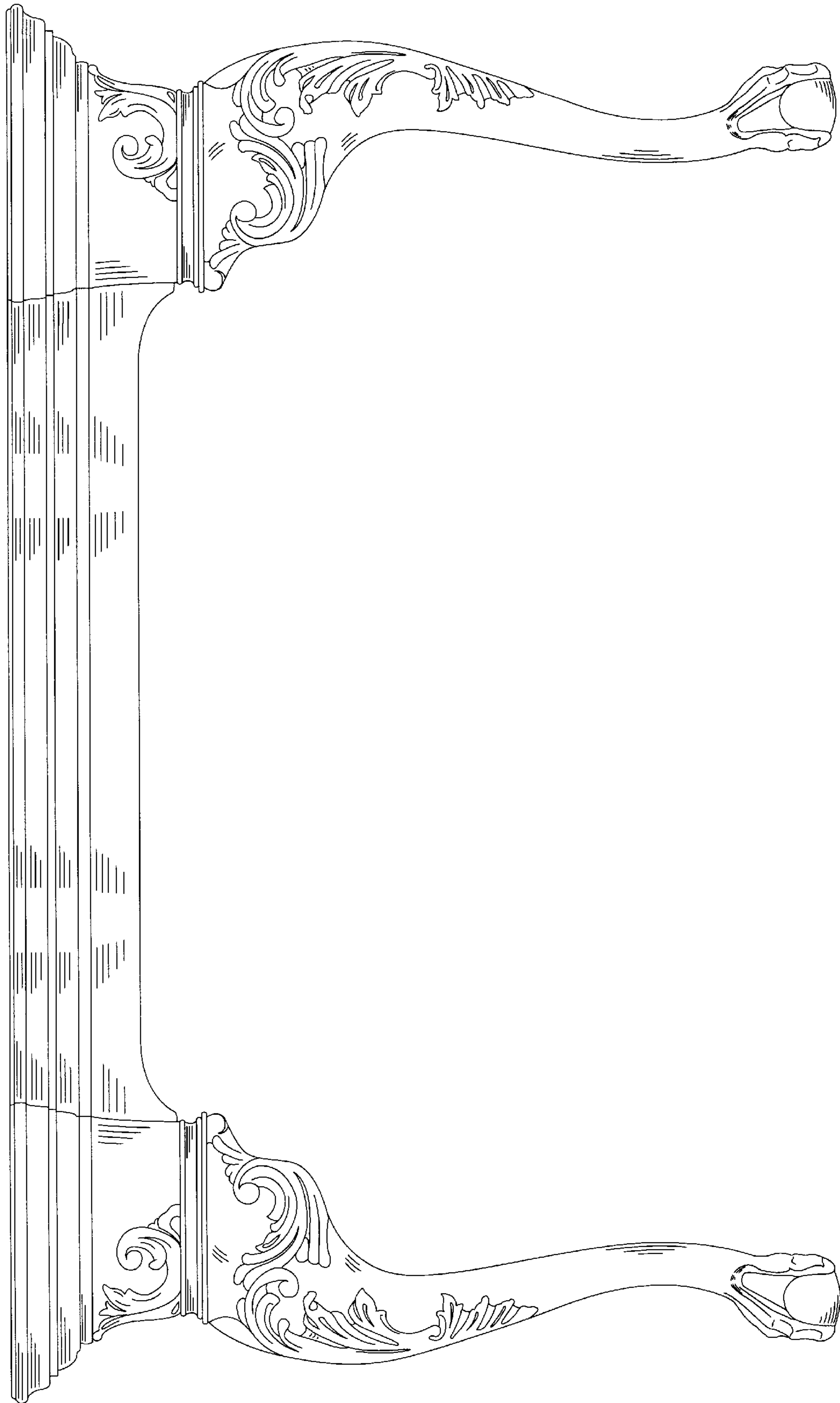


FIG. 3