



US00D486673S

(12) **United States Design Patent**
Hessell

(10) **Patent No.:** **US D486,673 S**

(45) **Date of Patent:** **** Feb. 17, 2004**

(54) **DISPLAY DEVICE**

(75) **Inventor:** **John Hessell**, Paramus, NJ (US)

(73) **Assignee:** **UV Sales, Inc.**, Rockleigh, NJ (US)

(**) **Term:** **14 Years**

(21) **Appl. No.:** **29/183,729**

(22) **Filed:** **Jun. 17, 2003**

(51) **LOC (7) Cl.** **06-04**

(52) **U.S. Cl.** **D6/474; D6/468**

(58) **Field of Search** D6/397, 405, 630,
D6/455, 457-462, 465, 467-469, 473, 474,
479; 108/59, 91-93, 106, 147.12, 147.13;
211/13.1, 85.1, 85.21, 49.1, 50, 70, 74,
78, 60.1, 134, 189, 195; 248/102, 105,
346.03, 349.1

(56) **References Cited**

U.S. PATENT DOCUMENTS

D161,117 S * 12/1950 Moody D6/464

D256,198 S * 8/1980 Winter et al. D6/468

4,919,282 A * 4/1990 Duff et al. 211/134

5,014,862 A * 5/1991 Bustos 211/193

D318,585 S * 7/1991 Duff et al. D6/479

D459,908 S * 7/2002 Sharpton, III D6/405

* cited by examiner

Primary Examiner—Cathron C. Brooks

(74) *Attorney, Agent, or Firm*—Bazerman & Drangel PC

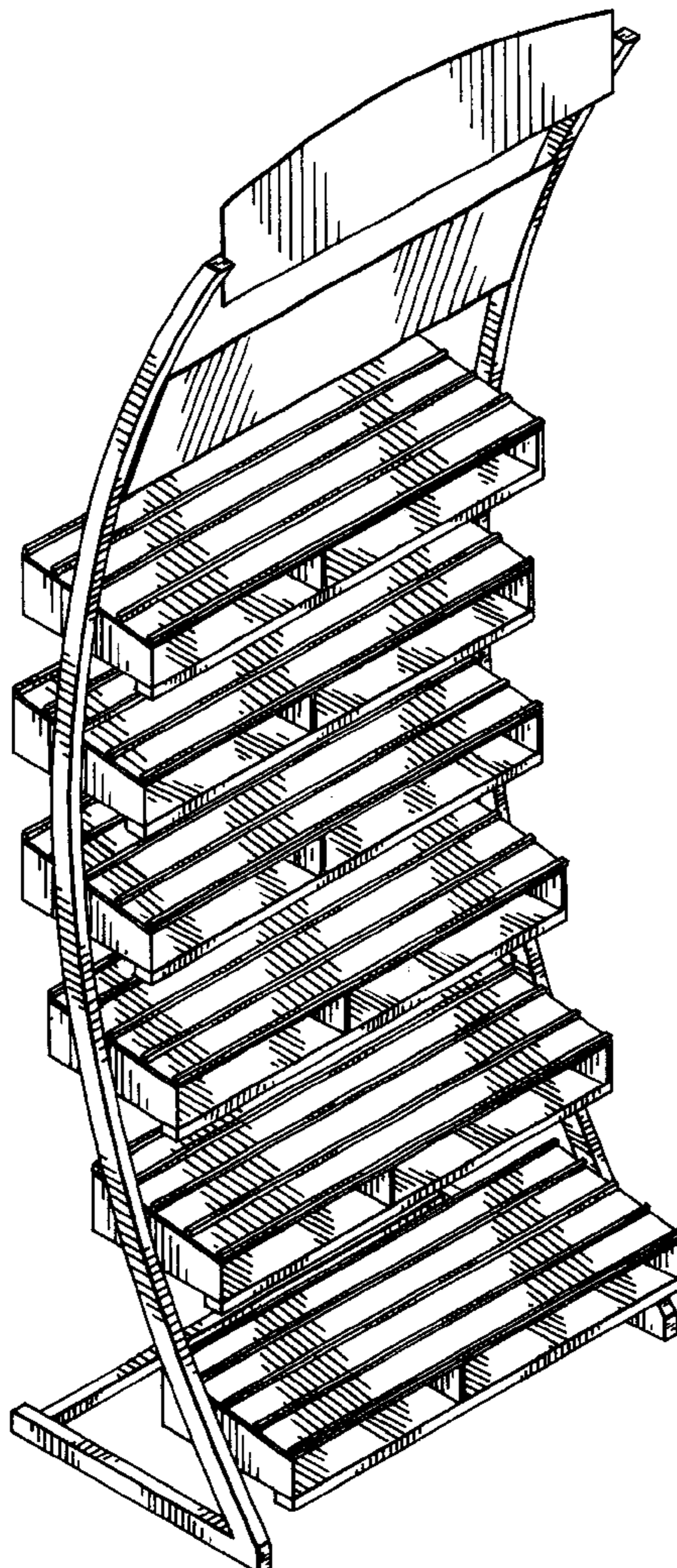
(57) **CLAIM**

The ornamental design for display device, as shown and described.

DESCRIPTION

FIG. 1 is a perspective view of the display device;
FIG. 2 is a front view thereof;
FIG. 3 is a rear view thereof;
FIG. 4 is a right end view thereof;
FIG. 5 is a left end view thereof;
FIG. 6 is a top plan view thereof; and,
FIG. 7 is a bottom plan view thereof.

1 Claim, 5 Drawing Sheets



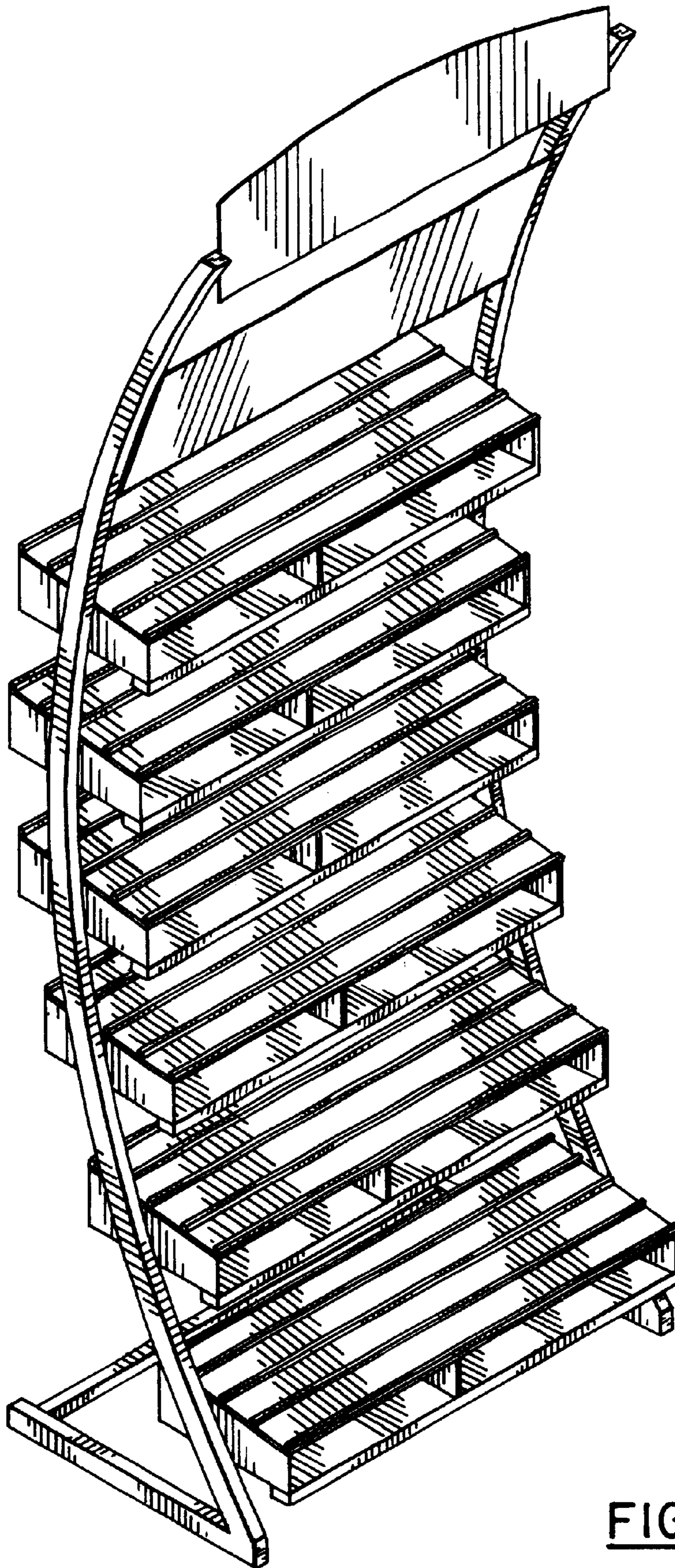


FIG. 1

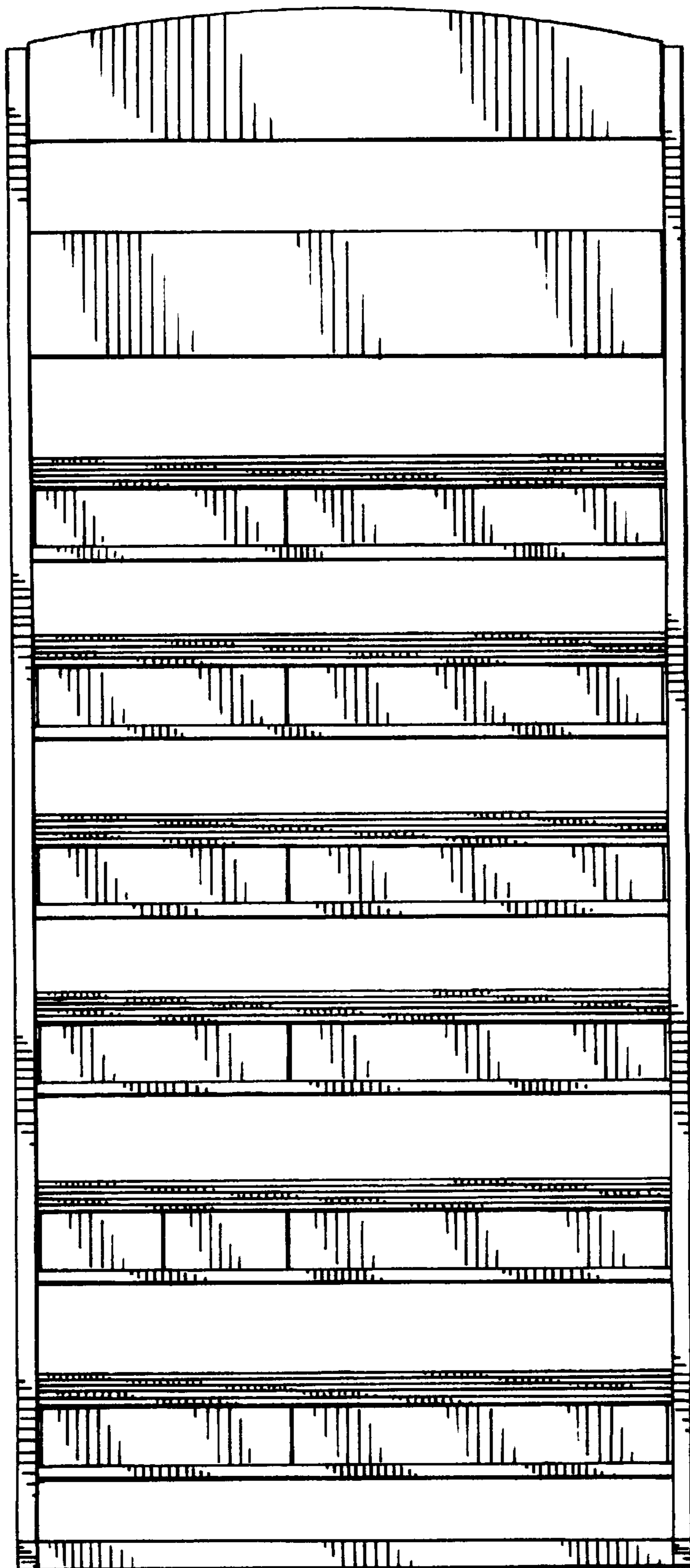


FIG. 2

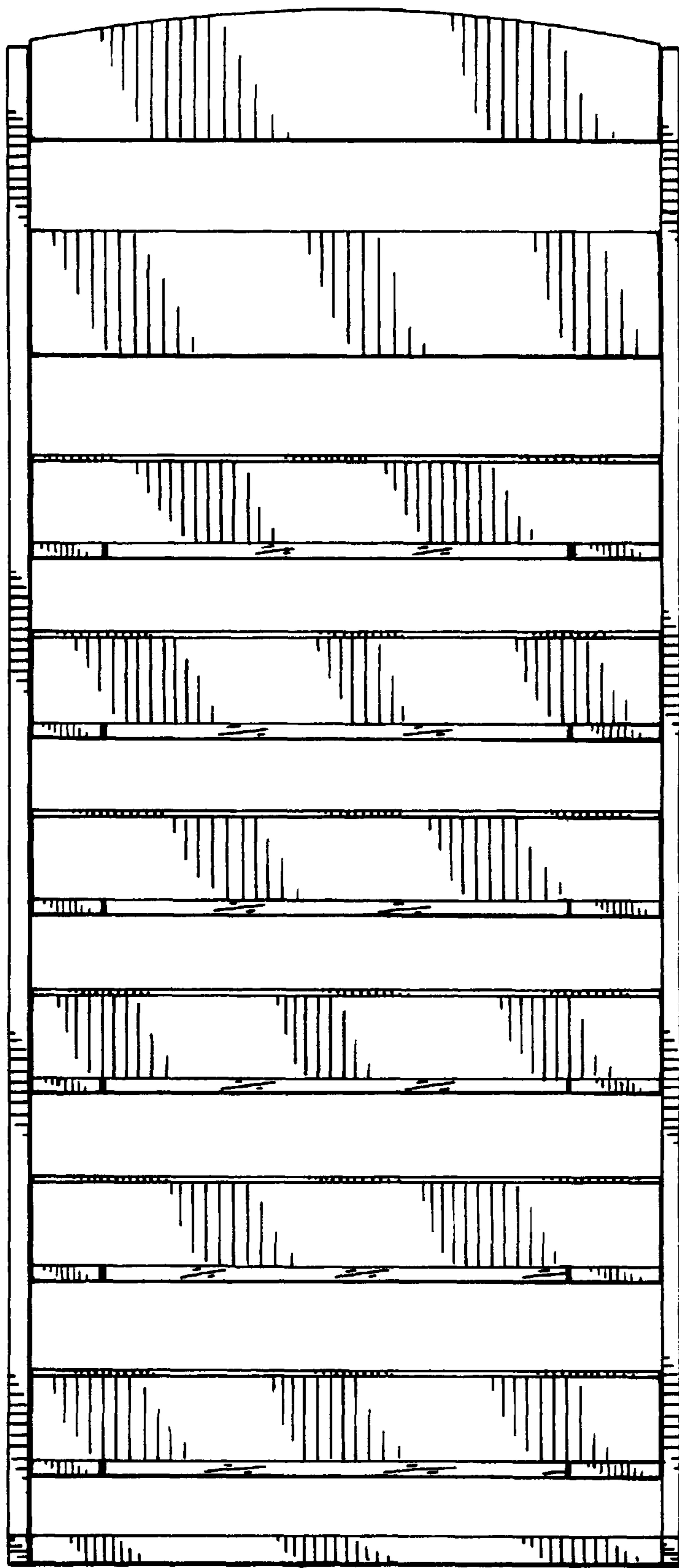


FIG. 3

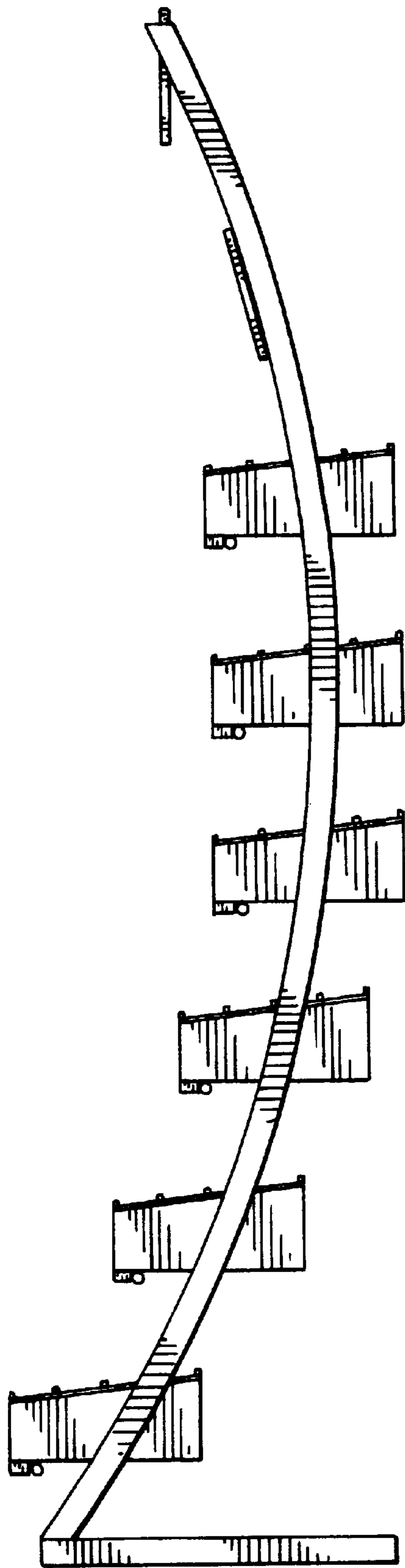


FIG. 4

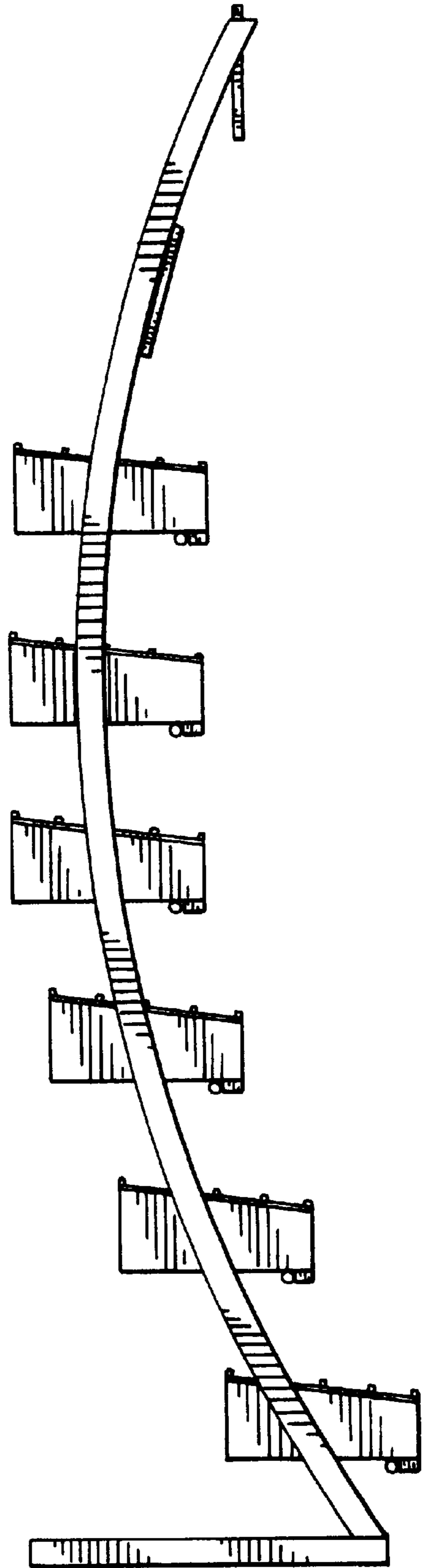


FIG. 5

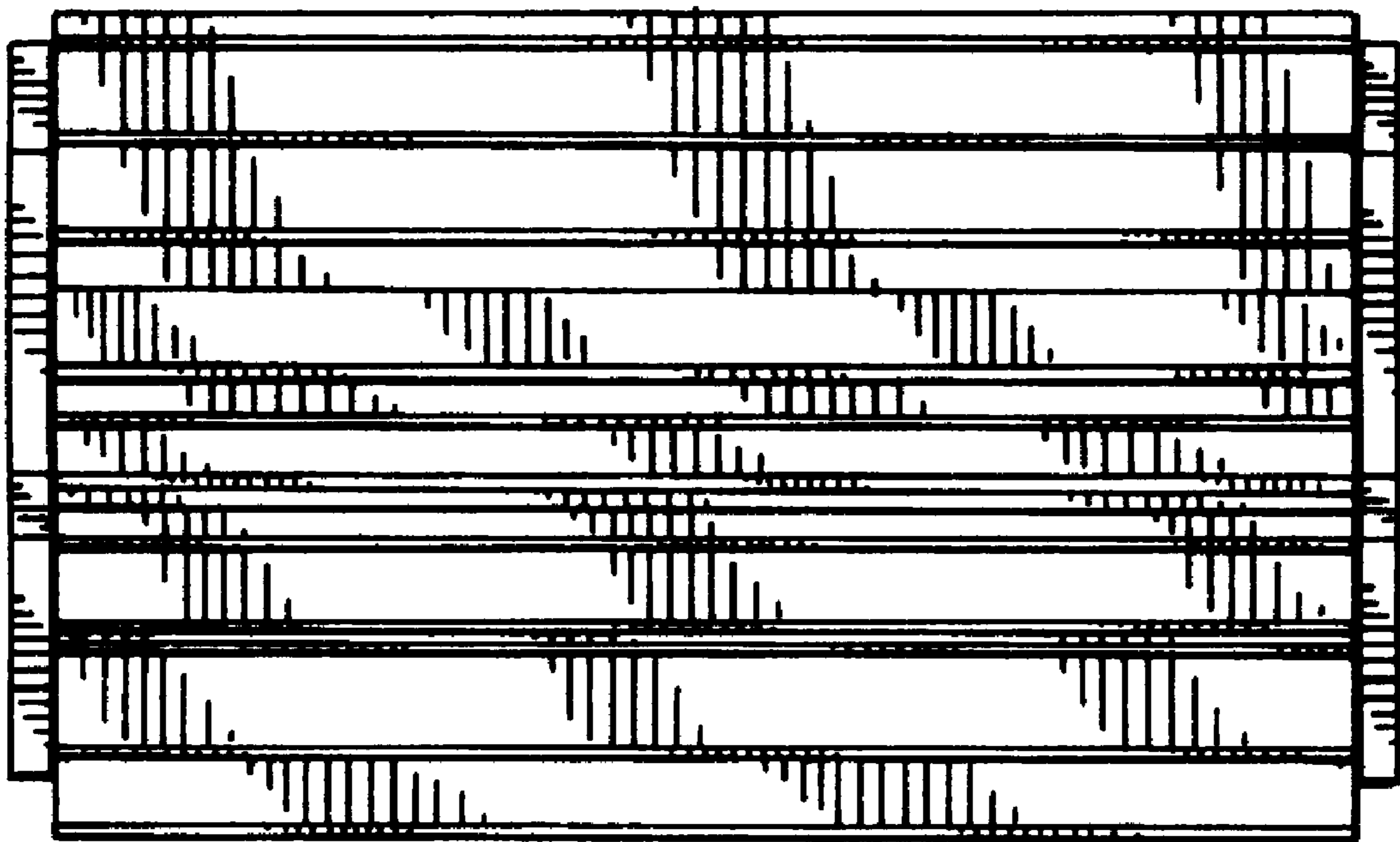


FIG. 6

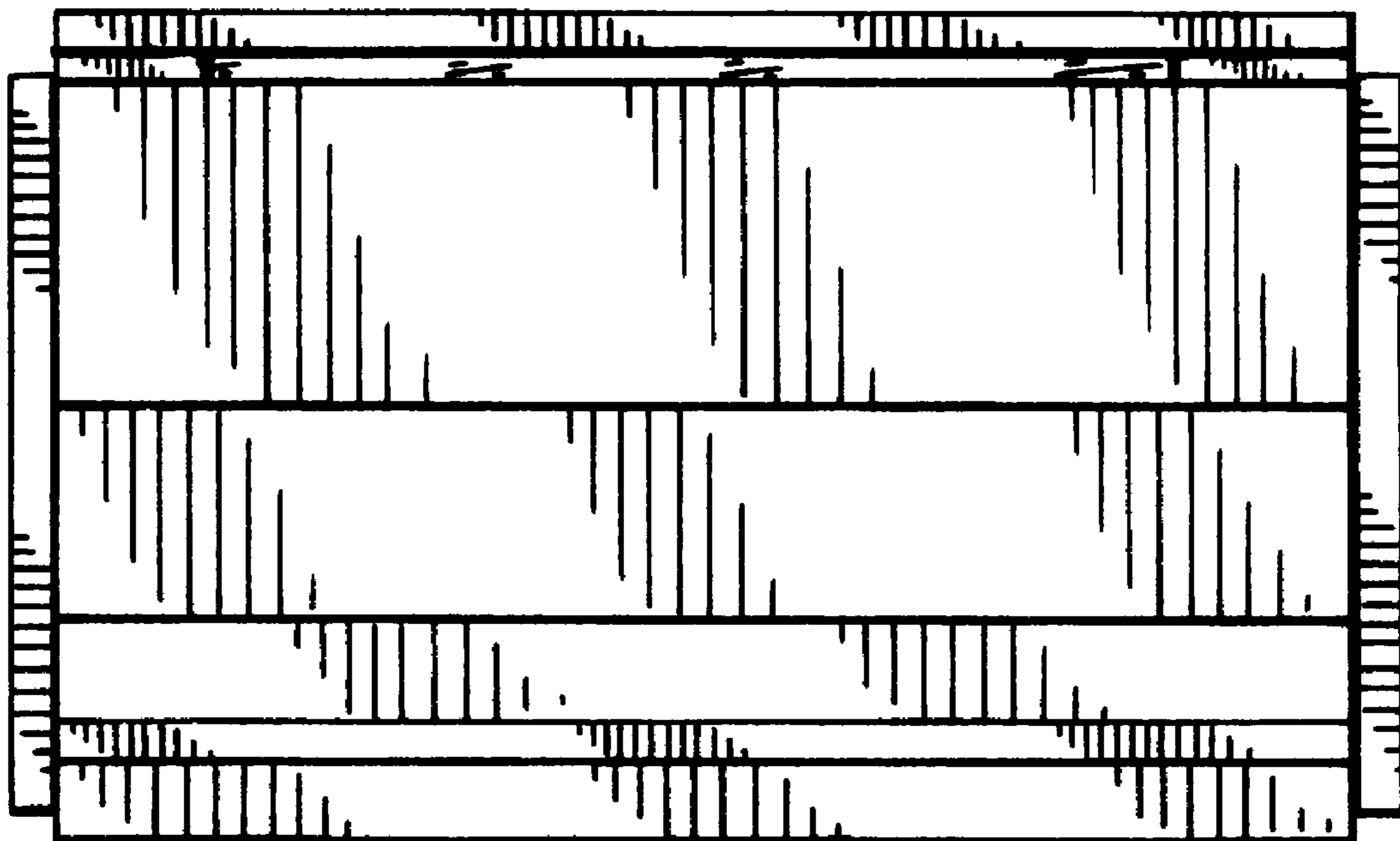


FIG. 7