



US00D486669S

(12) **United States Design Patent**  
**Wang**

(10) **Patent No.:** **US D486,669 S**

(45) **Date of Patent:** **\*\* Feb. 17, 2004**

(54) **COMPUTER TABLE**

D478,225 S \* 8/2003 Wang ..... D6/426

(76) Inventor: **Chih-Wei Wang**, 58, Ma Yuan West St., Taichung (TW)

\* cited by examiner

*Primary Examiner*—Janice E. Seeger

(\*\*) Term: **14 Years**

(57) **CLAIM**

(21) Appl. No.: **29/179,656**

The ornamental design for a computer table, as shown and described.

(22) Filed: **Apr. 9, 2003**

**DESCRIPTION**

(51) **LOC (7) Cl.** ..... **06-04**

(52) **U.S. Cl.** ..... **D6/426**

(58) **Field of Search** ..... D6/421, 422, 425–428, D6/474, 479, 477; 108/50.01, 50.02, 91, 92, 59; 312/194–196, 208.1

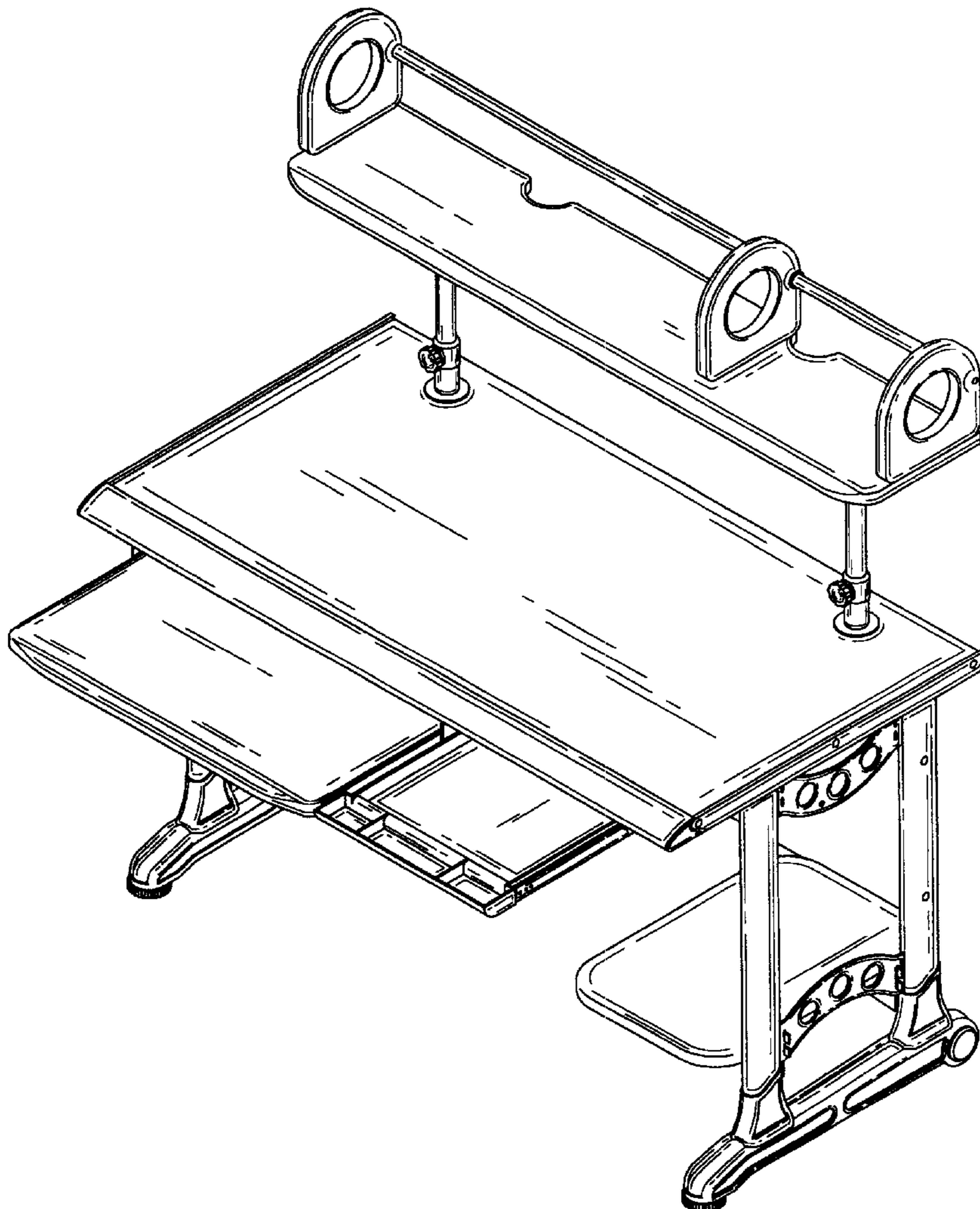
FIG. 1 is a front elevational view of a computer table showing my design;  
FIG. 2 is a rear elevational view thereof;  
FIG. 3 is a left side elevational view thereof;  
FIG. 4 is a right side elevational view thereof;  
FIG. 5 is a top plan view thereof;  
FIG. 6 is a bottom plan view thereof;  
FIG. 7 is a perspective view thereof; and,  
FIG. 8 is a perspective view showing the computer table in an alternate position.

(56) **References Cited**

**U.S. PATENT DOCUMENTS**

- D462,194 S \* 9/2002 Wang ..... D6/425
- D469,976 S \* 2/2003 Wang ..... D6/425
- D469,979 S \* 2/2003 Wang ..... D6/425

**1 Claim, 8 Drawing Sheets**



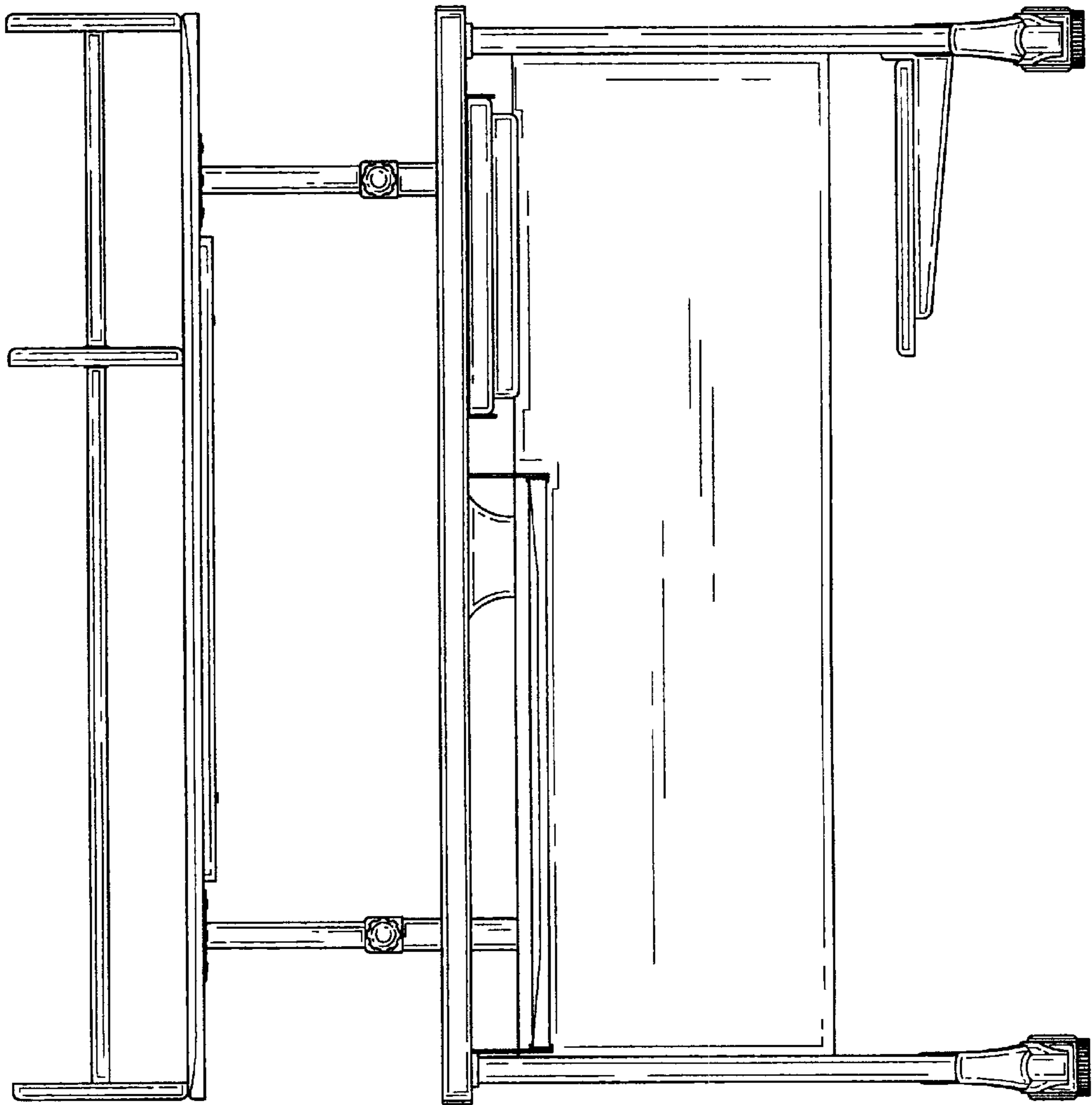


FIG. 1

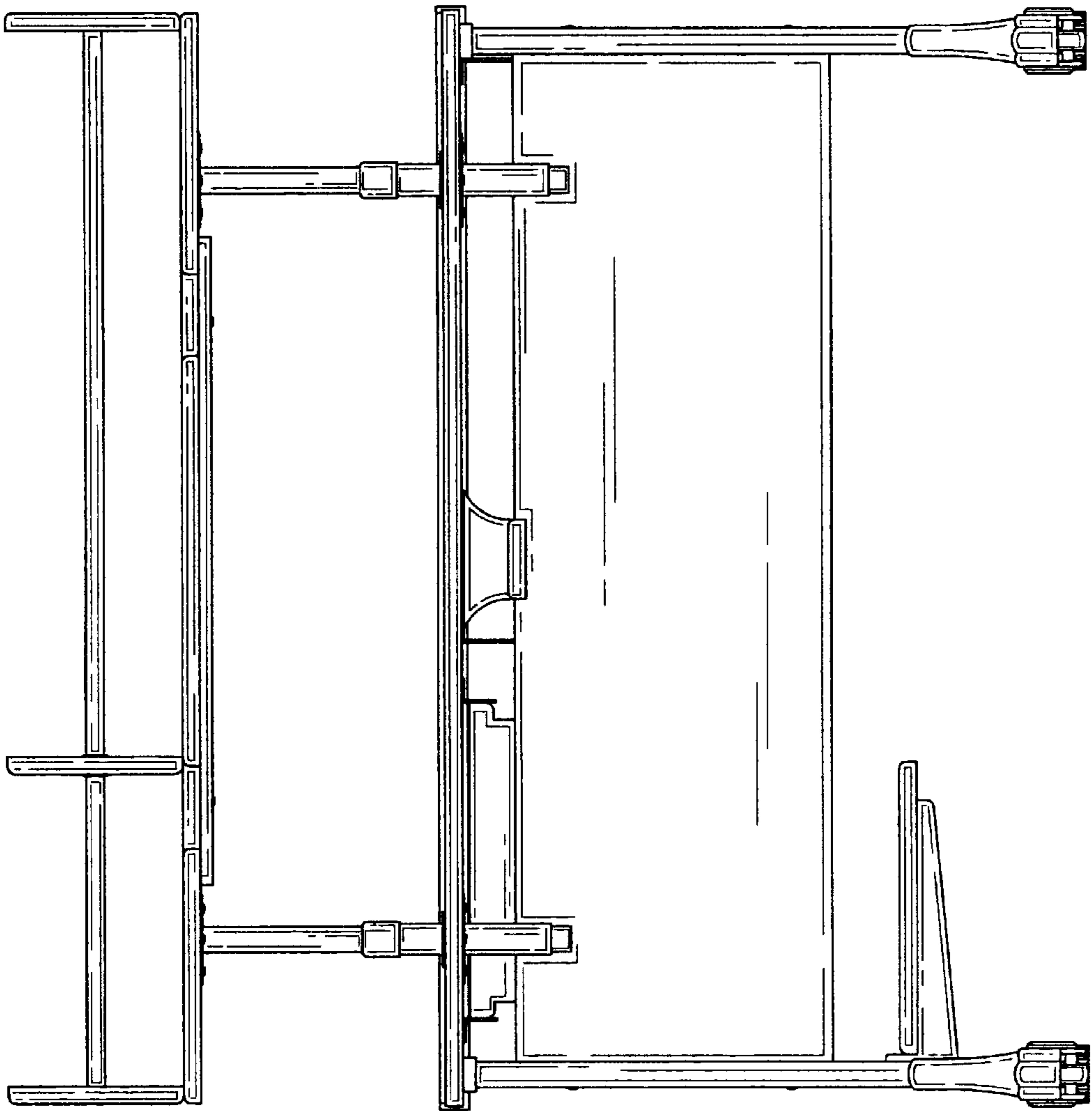


FIG. 2

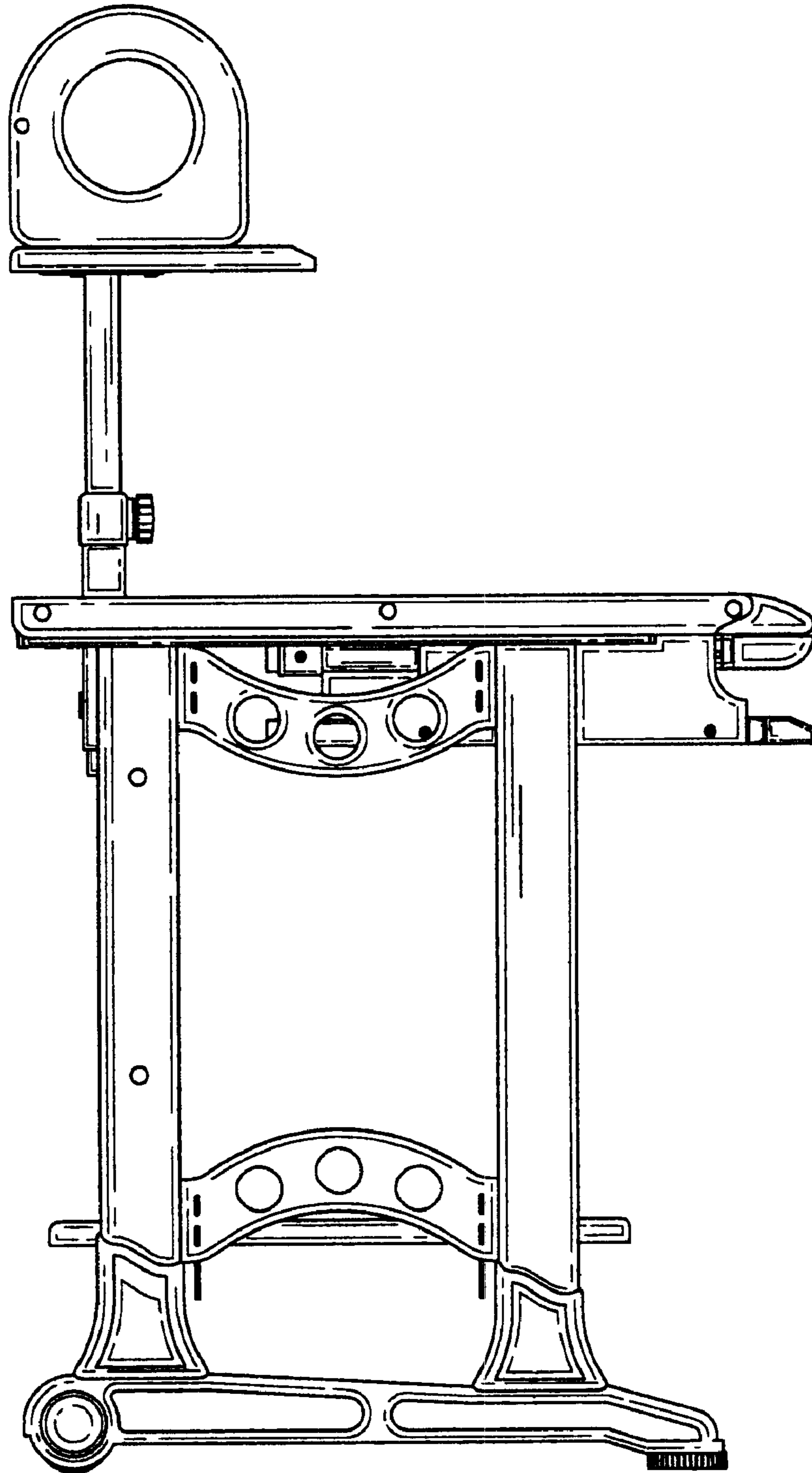


FIG. 3

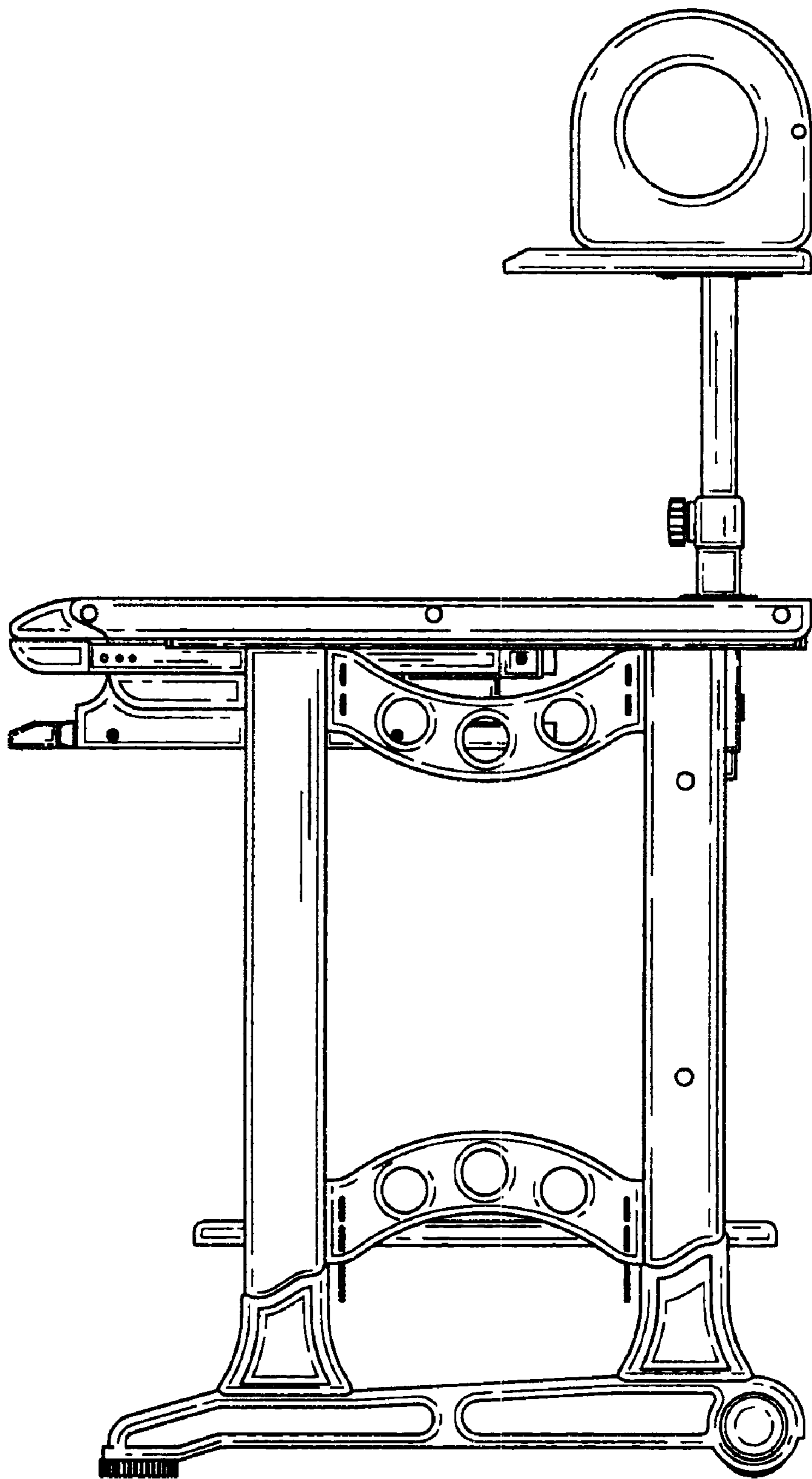


FIG. 4

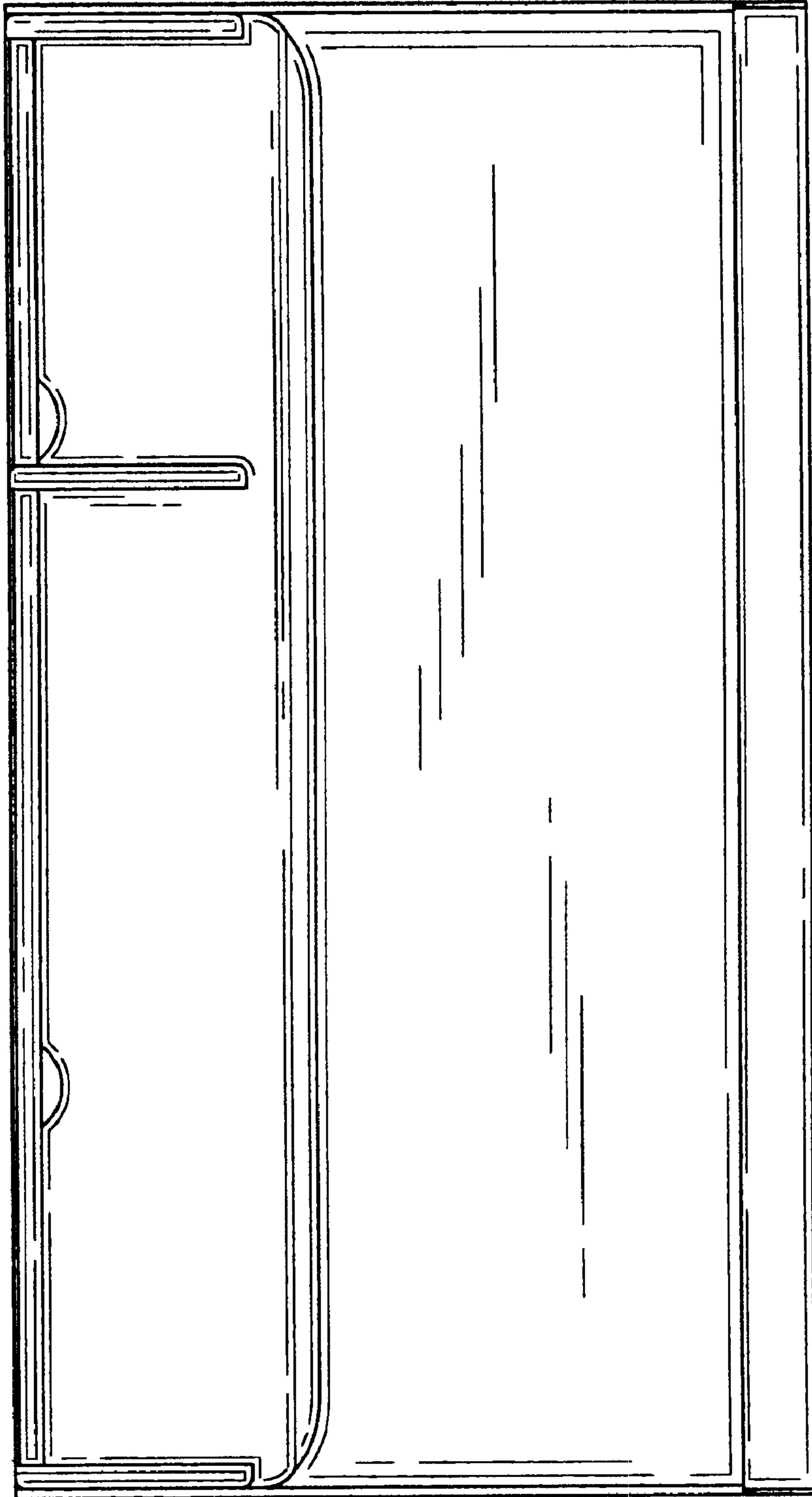


FIG. 5

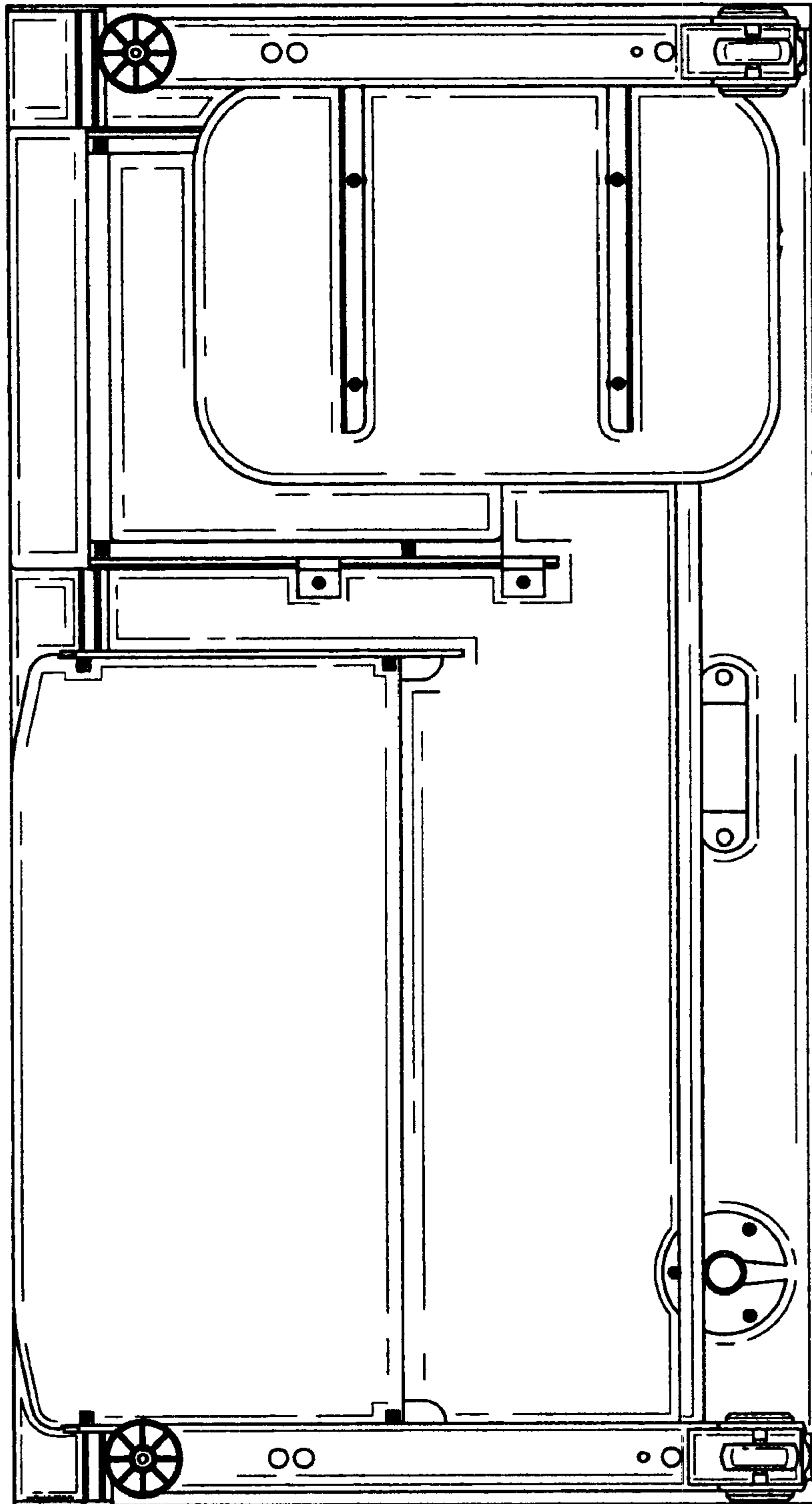


FIG. 6

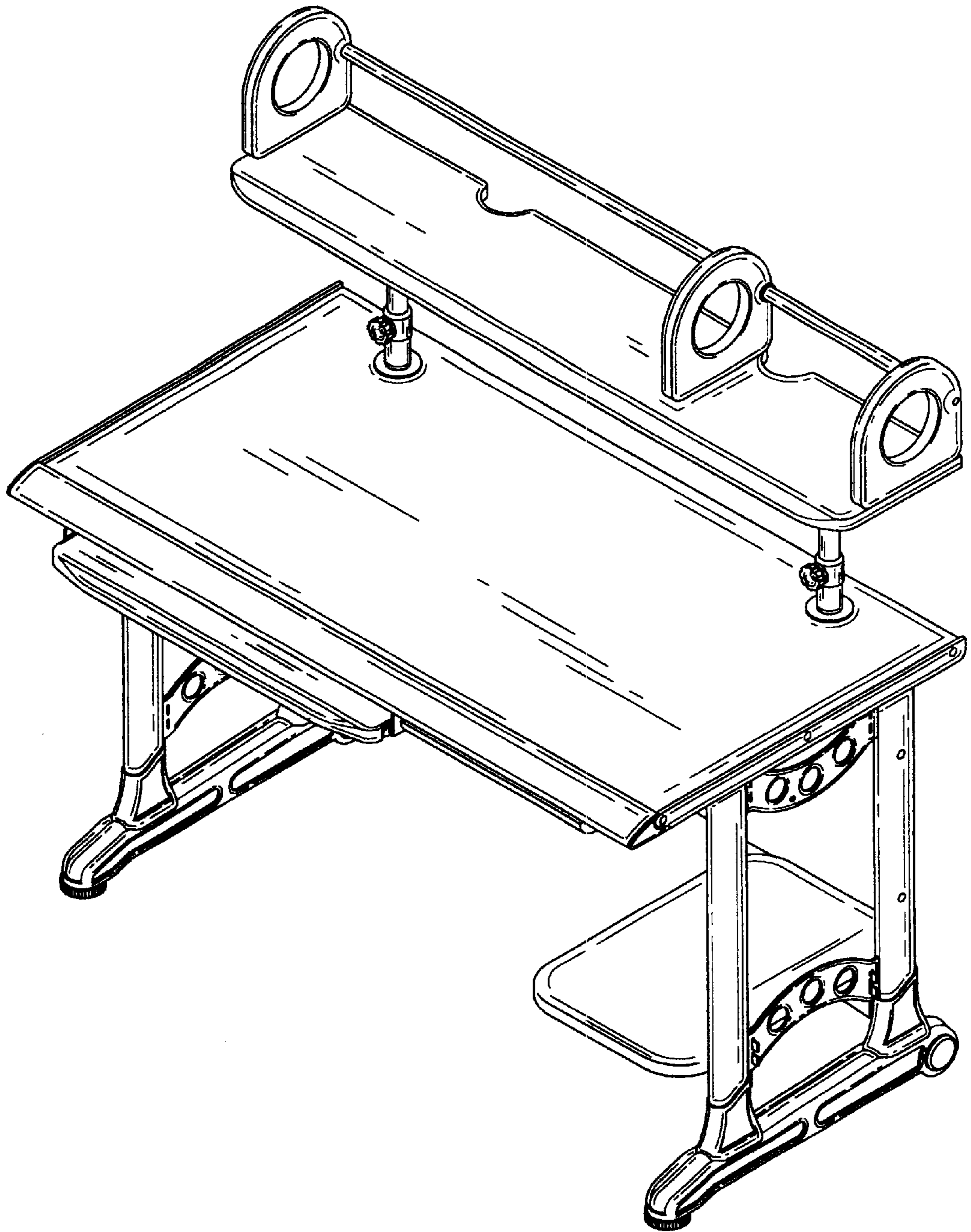


FIG. 7



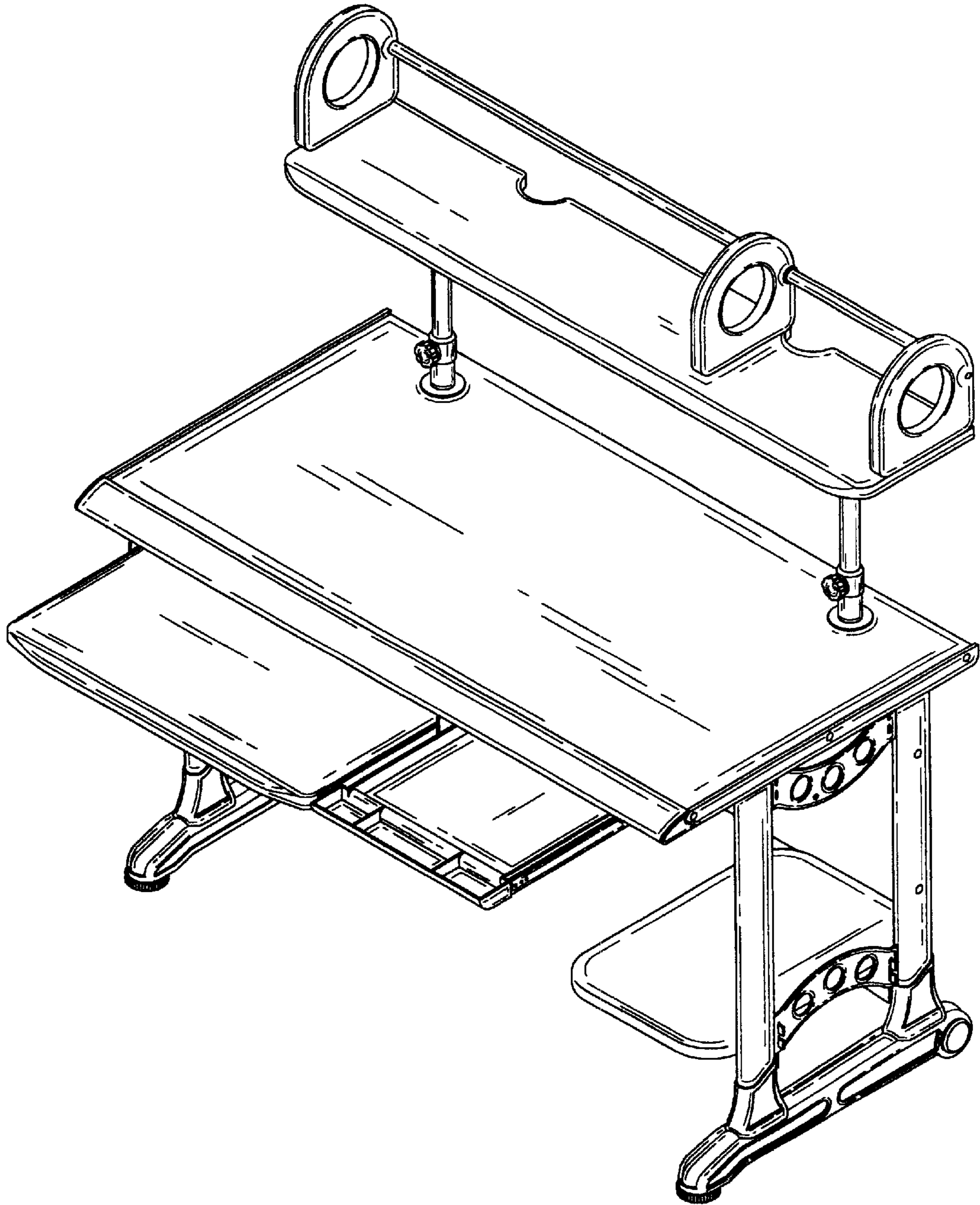


FIG. 8