



US00D486664S

(12) **United States Design Patent**
Pappas

(10) **Patent No.:** **US D486,664 S**

(45) **Date of Patent:** **** Feb. 17, 2004**

(54) **BENCH**

D457,742 S * 5/2002 Arnold D6/370
D466,318 S * 12/2002 Arnold D6/370

(76) **Inventor:** **Mark Pappas**, P.O. Box 2458, Rancho Mirage, CA (US) 92270-1087

* cited by examiner

(**) **Term:** **14 Years**

Primary Examiner—Doris V. Coles
Assistant Examiner—Elizabeth A. Albert
(74) *Attorney, Agent, or Firm*—Thomas M. Freiburger

(21) **Appl. No.:** **29/176,276**

(22) **Filed:** **Feb. 18, 2003**

(57) **CLAIM**

(51) **LOC (7) Cl.** **06-01**

The ornamental design for a bench, substantially as shown and described.

(52) **U.S. Cl.** **D6/381**

(58) **Field of Search** D6/334, 335, 336, D6/356, 364, 370, 371, 373, 379, 380, 381, 500, 501, 502; 5/12.1; 297/232

DESCRIPTION

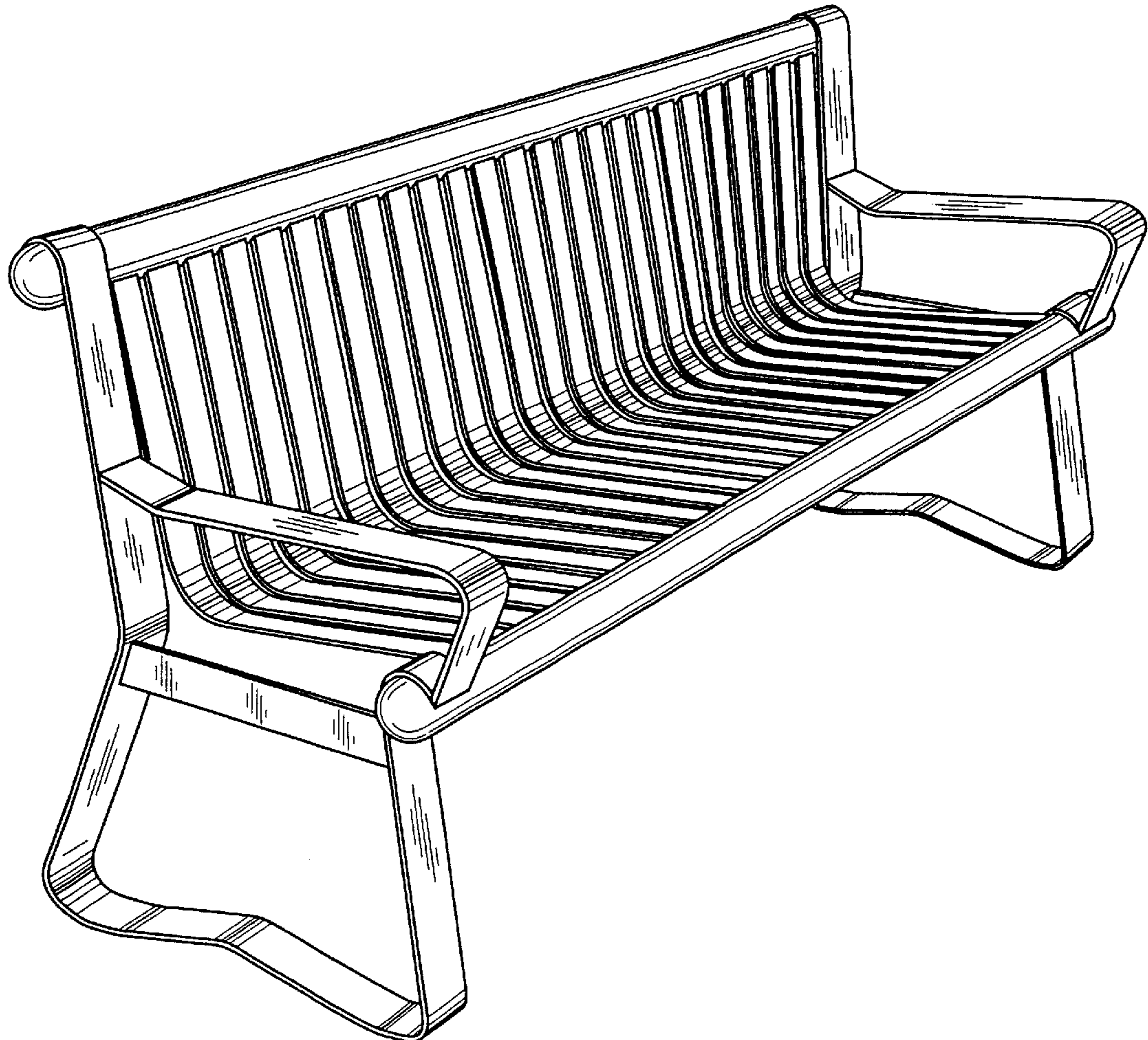
(56) **References Cited**

U.S. PATENT DOCUMENTS

D294,782 S * 3/1988 Balderi D6/373
D296,961 S * 8/1988 Norton D6/370
D344,417 S * 2/1994 Schwartz D6/370
D360,538 S * 7/1995 Skalka D6/381
D376,271 S * 12/1996 Skalka D6/370

FIG. 1 is a front side perspective view showing a bench according to my new design;
FIG. 2 is a right side view thereof, the left side view being a mirror image;
FIG. 3 is a top plan view thereof;
FIG. 4 is a front elevation view thereof;
FIG. 5 is a bottom plan view thereof; and,
FIG. 6 is a back elevation view thereof.

1 Claim, 2 Drawing Sheets



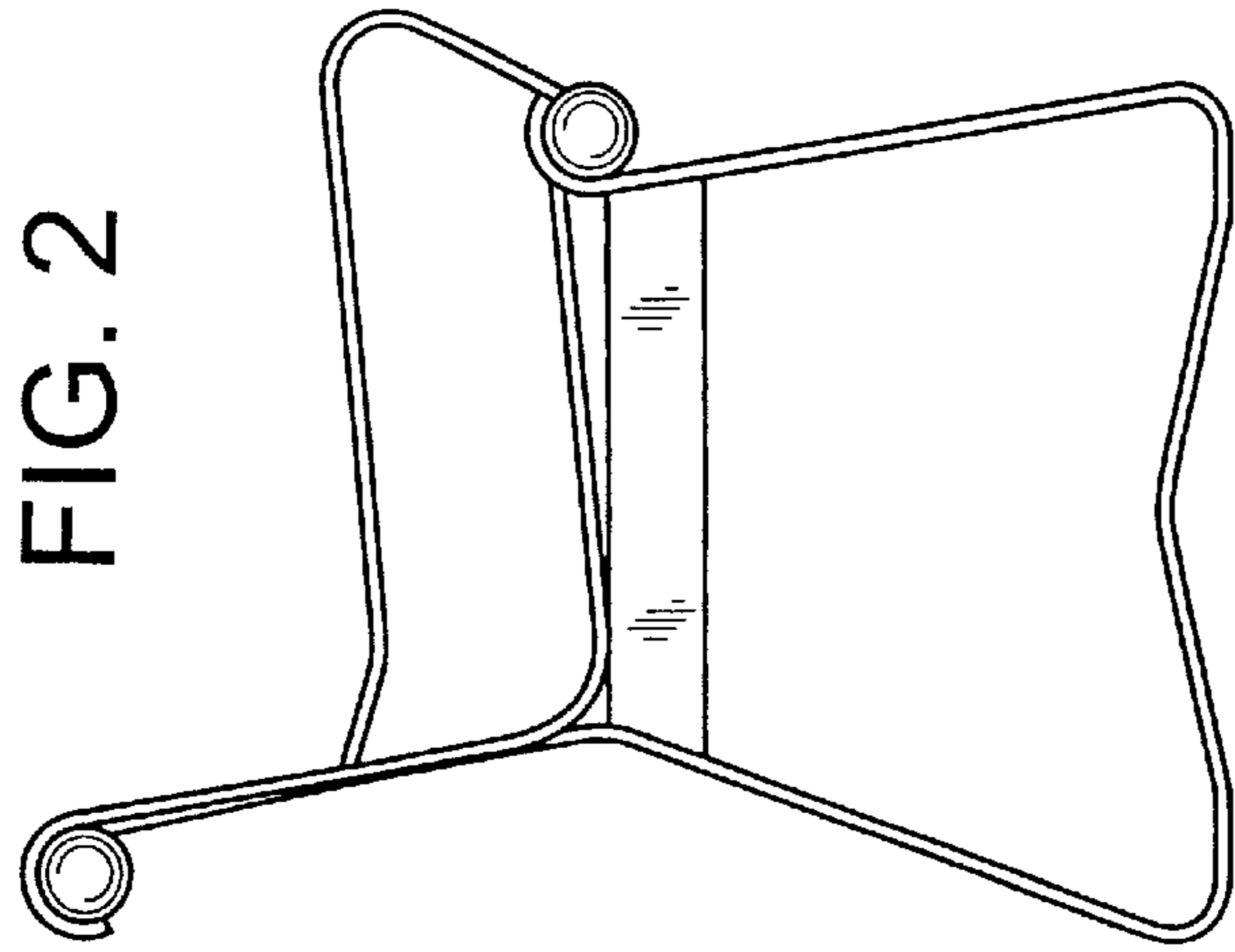


FIG. 2

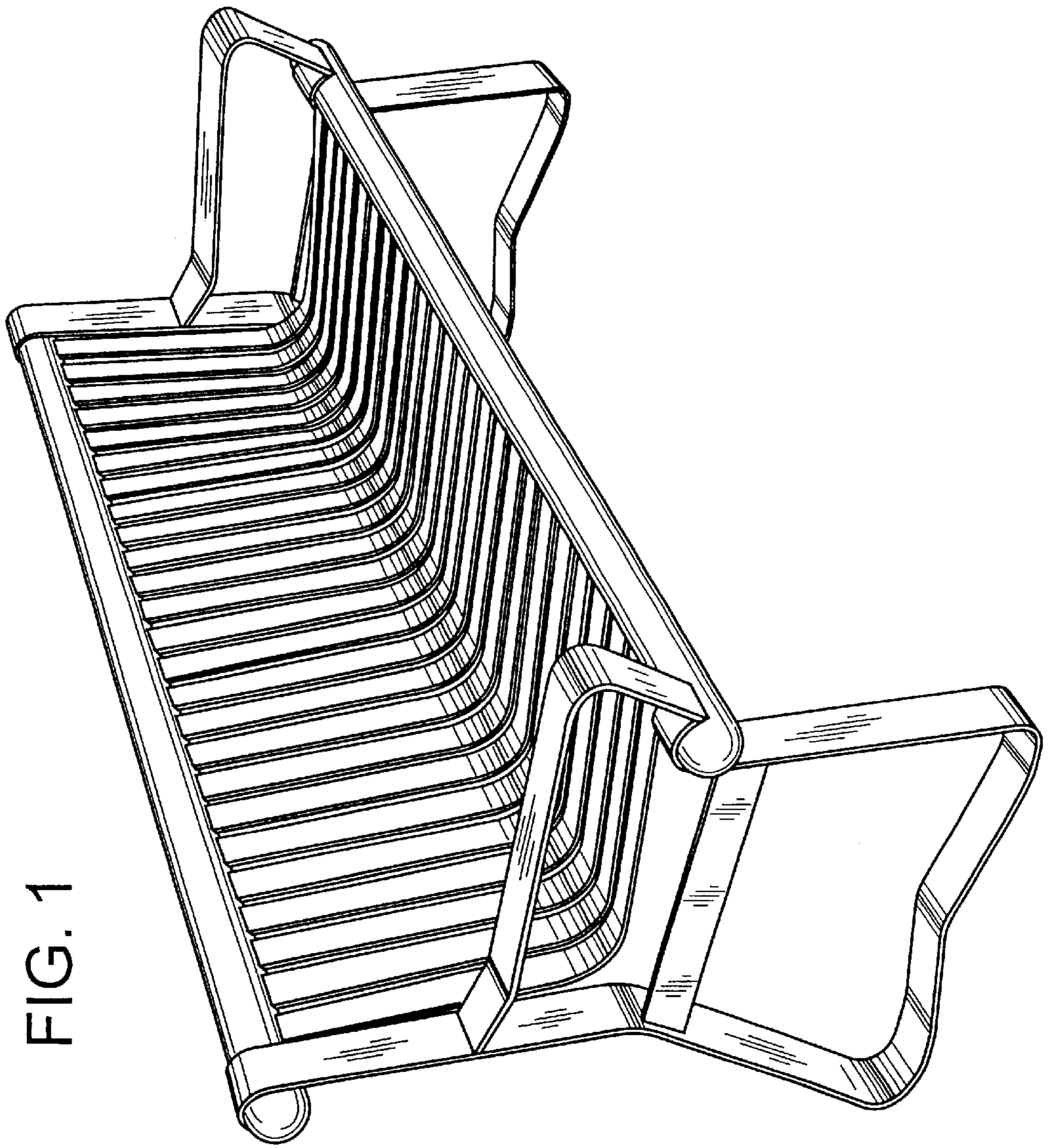


FIG. 1

FIG. 3

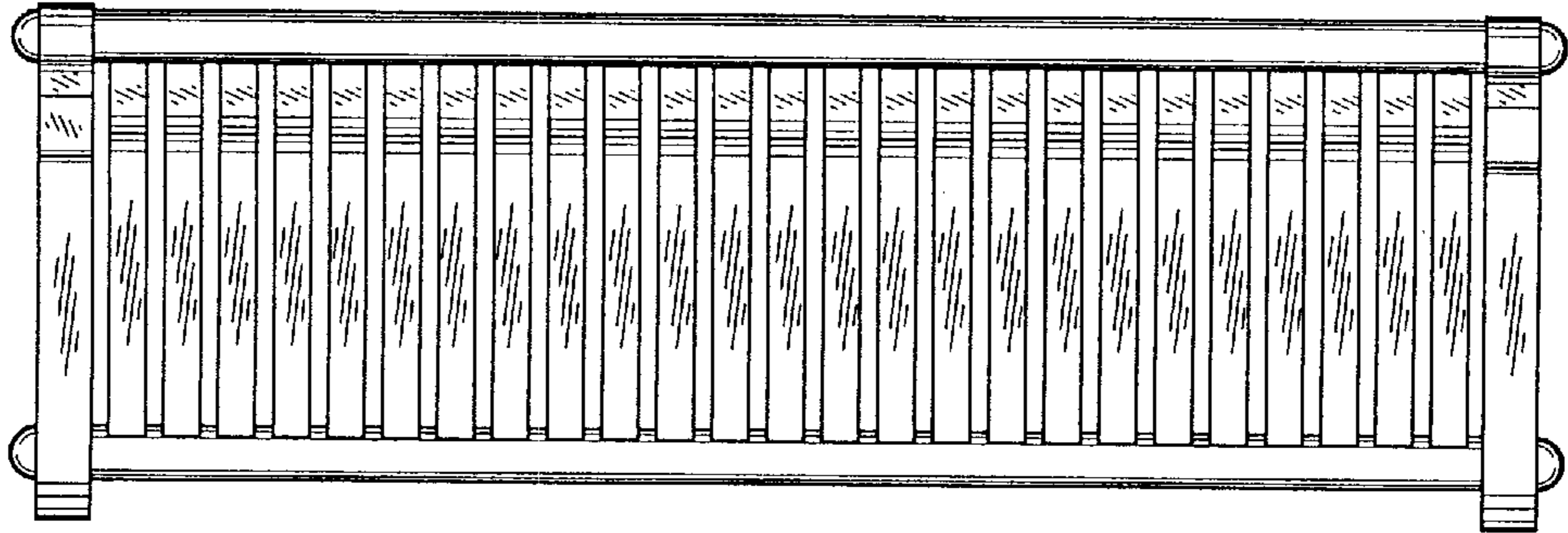


FIG. 4

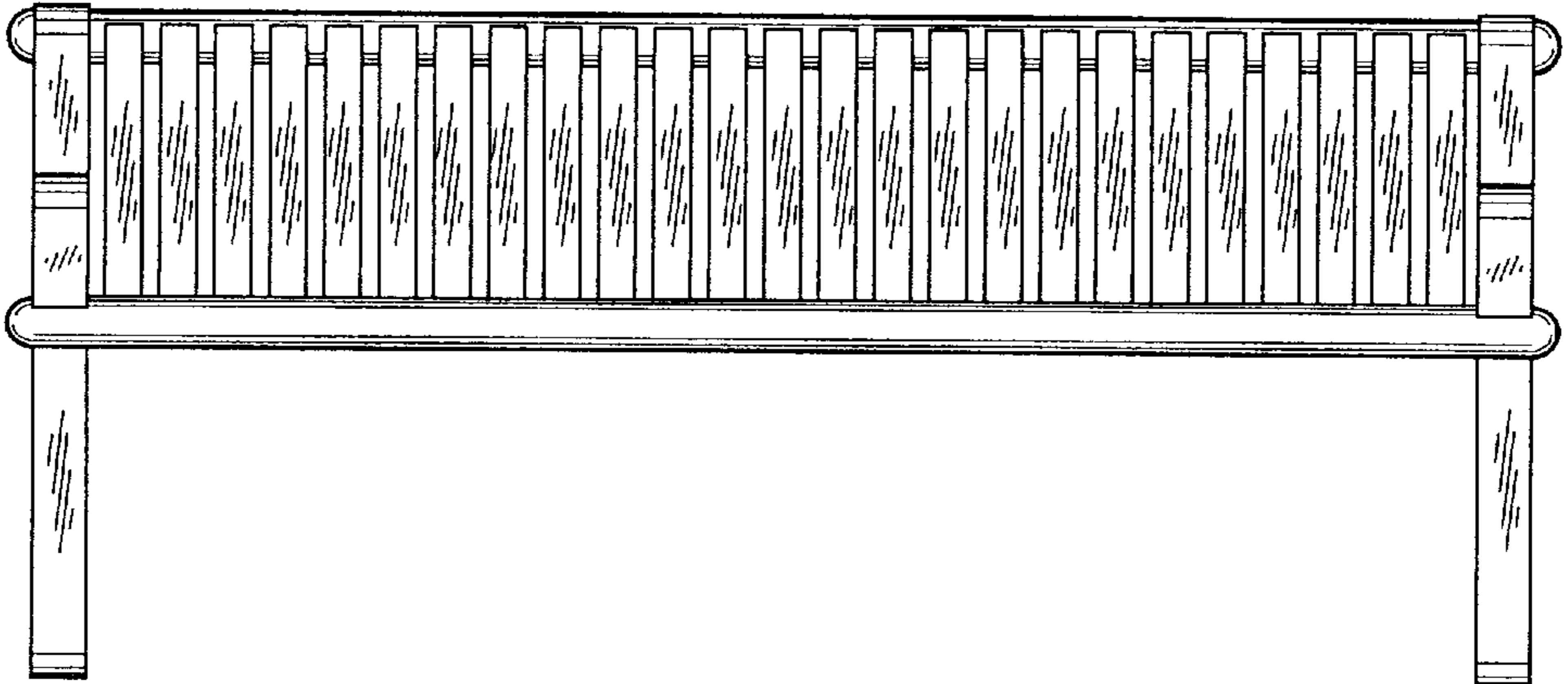


FIG. 5

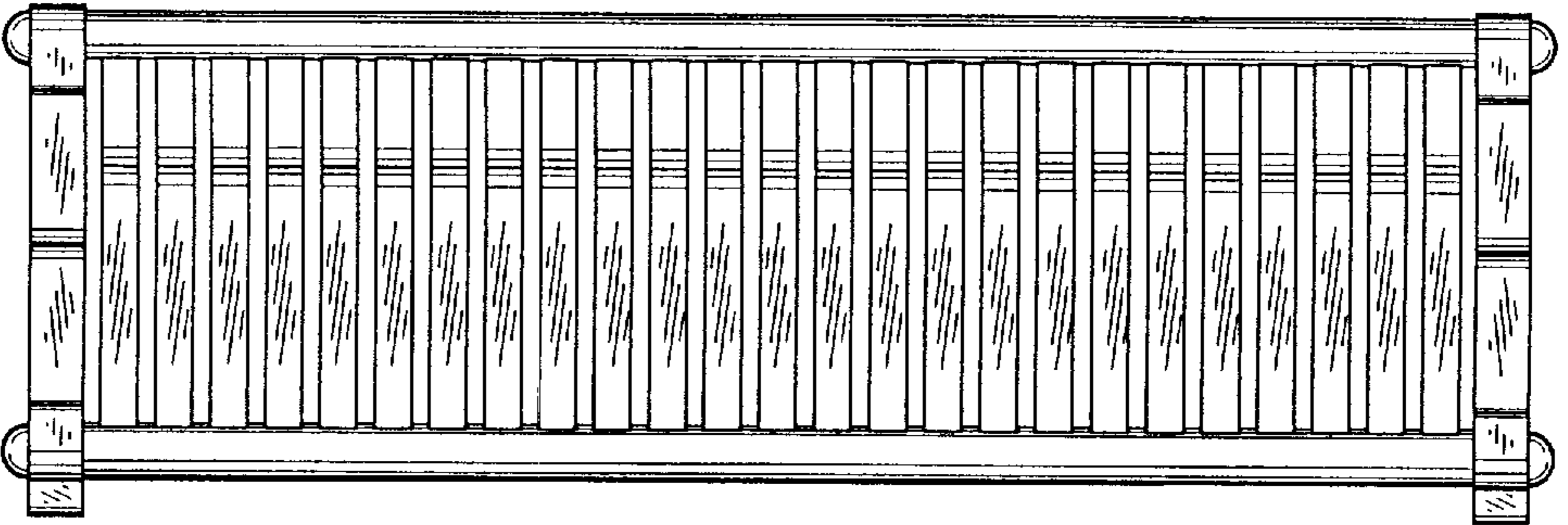


FIG. 6

