



US00D486659S

(12) **United States Design Patent**
Tseng

(10) **Patent No.:** **US D486,659 S**

(45) **Date of Patent:** **** Feb. 17, 2004**

(54) **LAWN CHAIR**

(75) Inventor: **Chuen-Jong Tseng**, Chiayi Hsien (TW)

(73) Assignee: **Shin Yeh Enterprise Co., Ltd.**, Chiayi Hsien (TW)

(**) Term: **14 Years**

(21) Appl. No.: **29/177,956**

(22) Filed: **Mar. 19, 2003**

(51) **LOC (7) Cl.** **06-01**

(52) **U.S. Cl.** **D6/376; D6/379**

(58) **Field of Search** D6/334, 374, 375,
D6/376, 379, 380, 500, 501, 502; 297/445.1,
446.1

(56) **References Cited**

U.S. PATENT DOCUMENTS

D342,391 S	*	12/1993	Caldwell	D6/376
D371,685 S	*	7/1996	Caldwell	D6/376
D395,176 S	*	6/1998	Tseng	D6/379
D426,718 S	*	6/2000	Gaylord et al.	D6/376

D434,241 S	*	11/2000	Tseng	D6/376
D450,197 S	*	11/2001	Lin	D6/376
D454,716 S	*	3/2002	Tseng	D6/379
D463,153 S	*	9/2002	Liu	D6/379

* cited by examiner

Primary Examiner—Gary D. Watson

(74) *Attorney, Agent, or Firm*—Ladas & Parry

(57) **CLAIM**

The ornamental design for lawn chair, as shown and described.

DESCRIPTION

FIG. 1 is a perspective view of lawn chair showing my new design;

FIG. 2 is a front elevational view thereof;

FIG. 3 is a rear elevational view thereof;

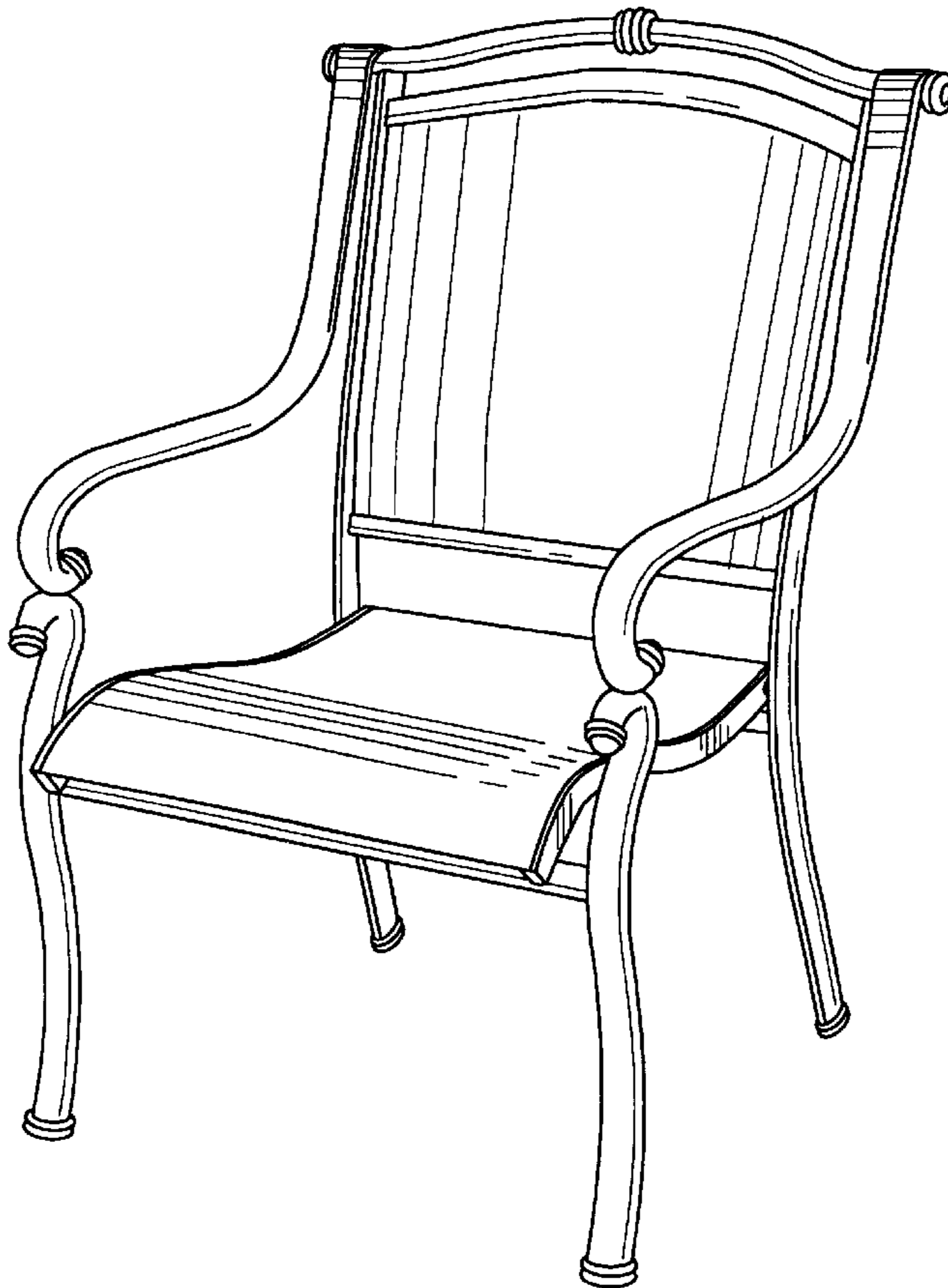
FIG. 4 is a left side elevational view thereof;

FIG. 5 is a right side elevational view thereof;

FIG. 6 is a top plan view thereof; and,

FIG. 7 is a bottom plan view thereof.

1 Claim, 4 Drawing Sheets



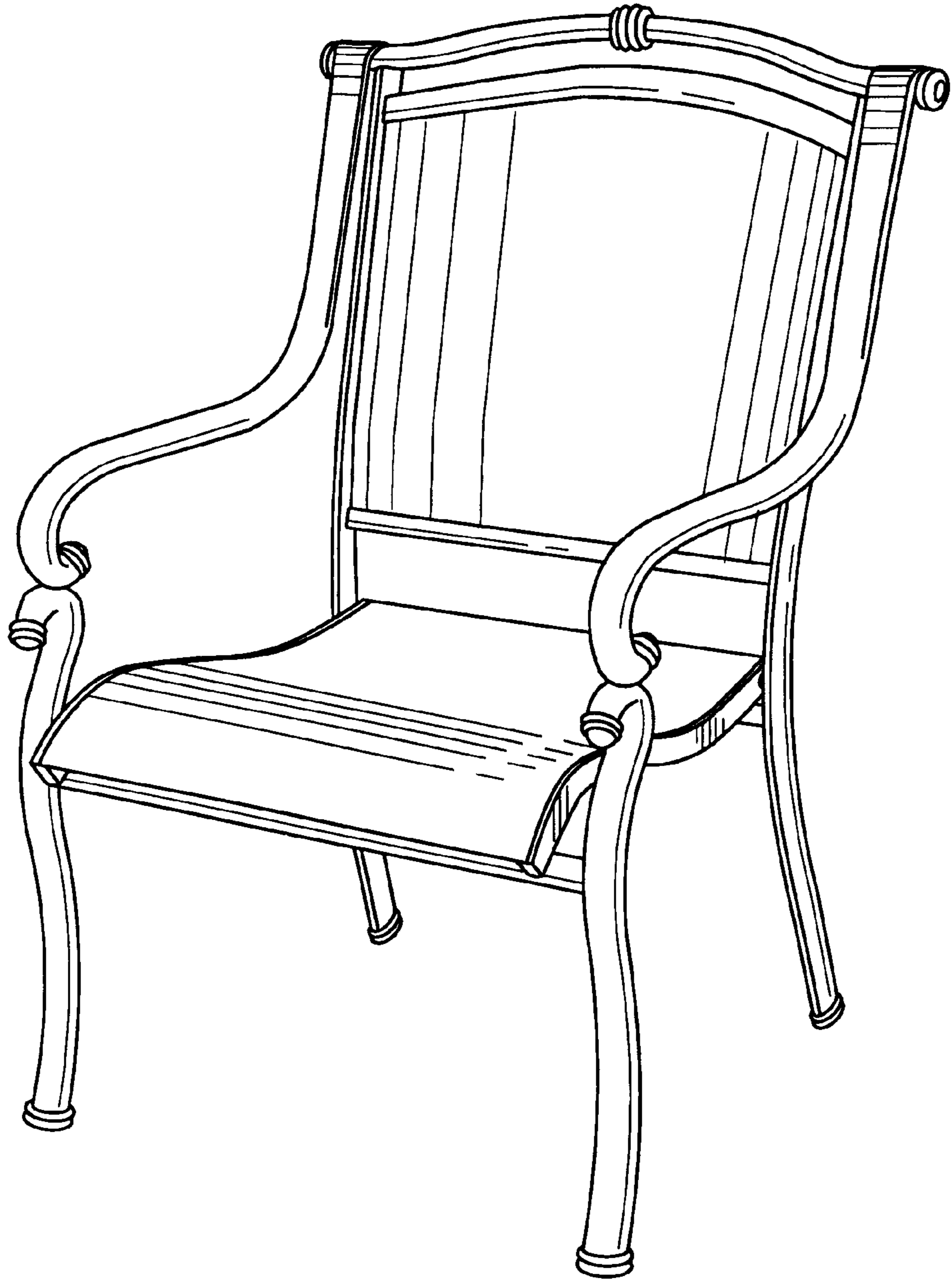


FIG. 1

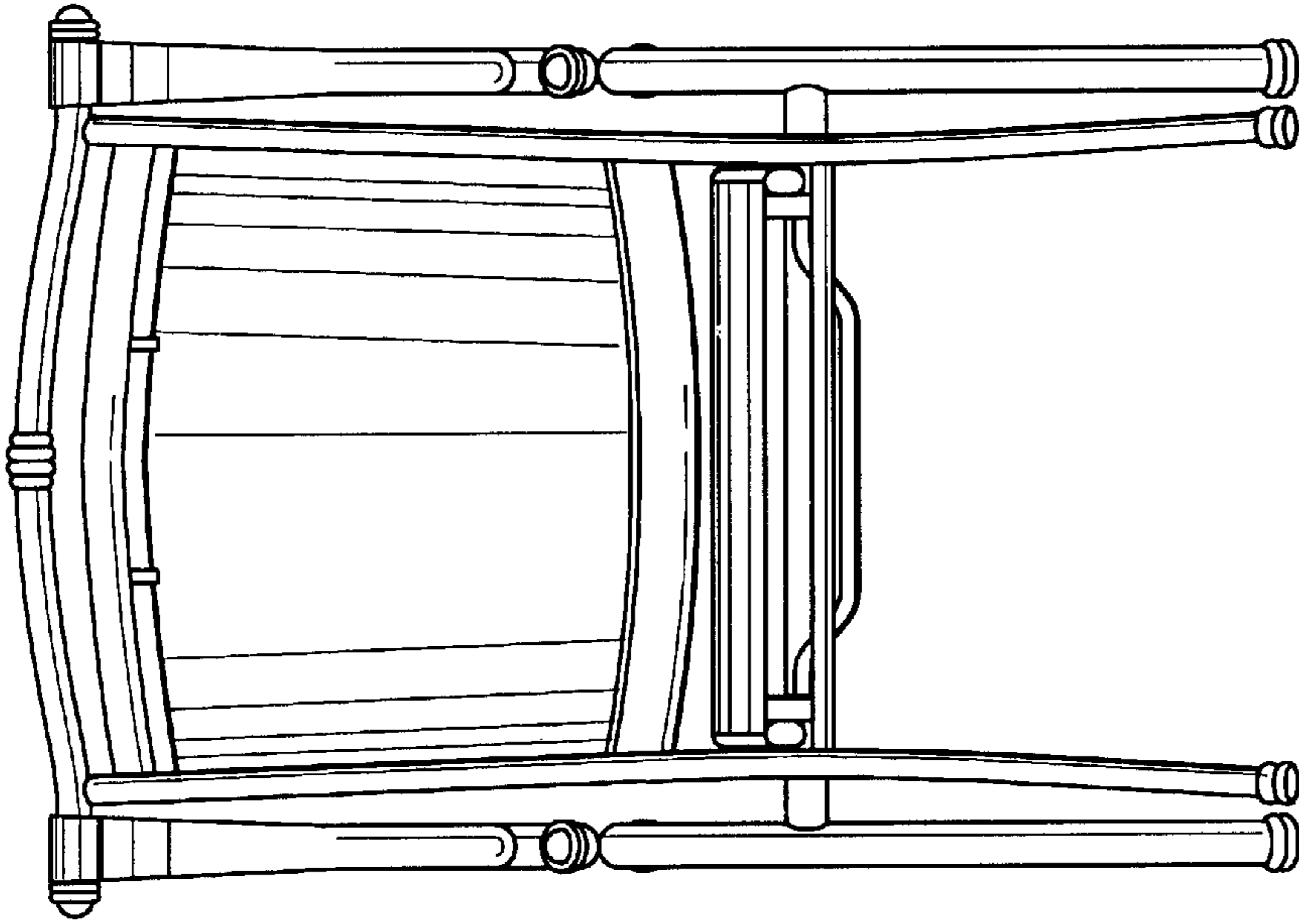


FIG. 2

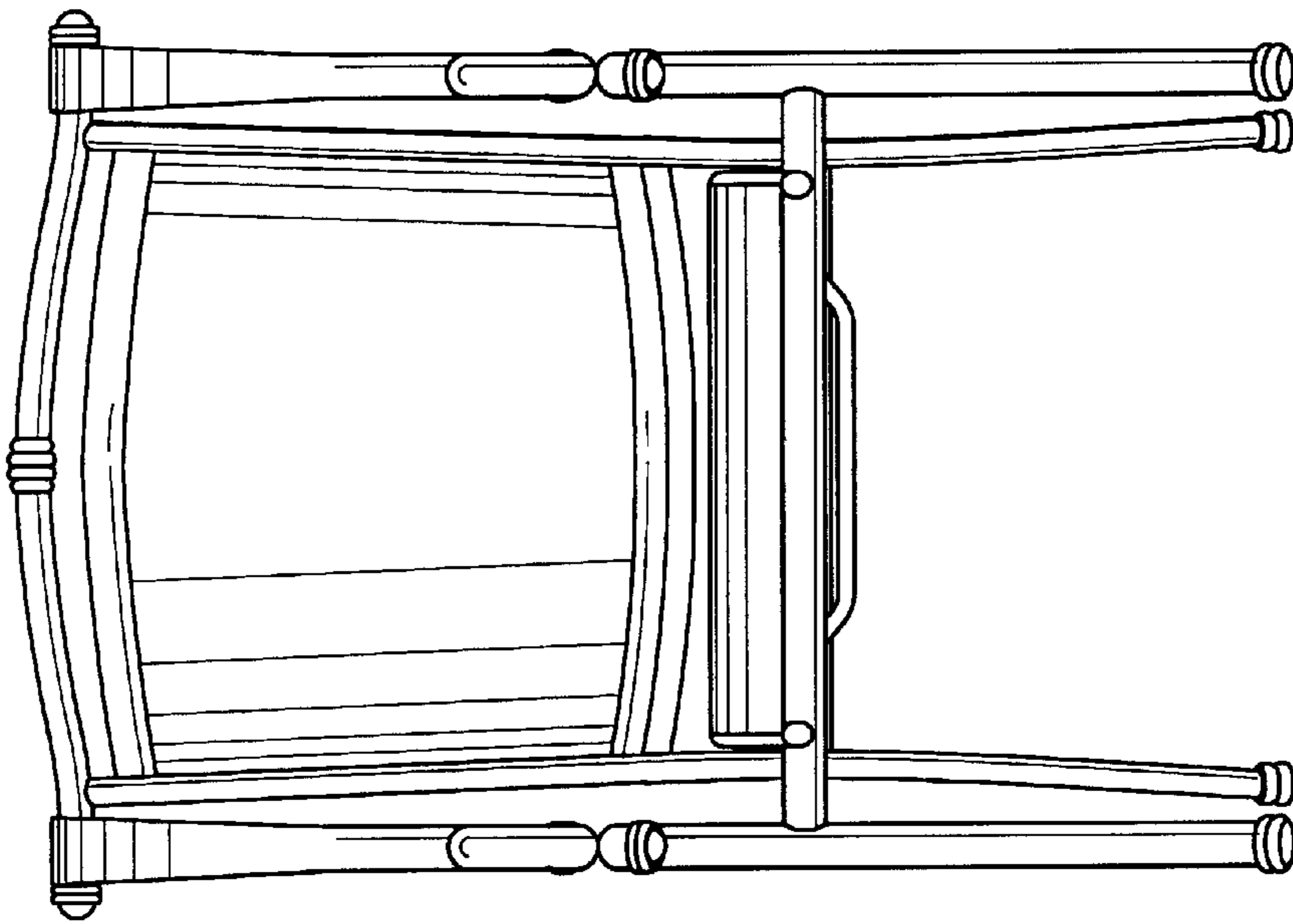


FIG. 3

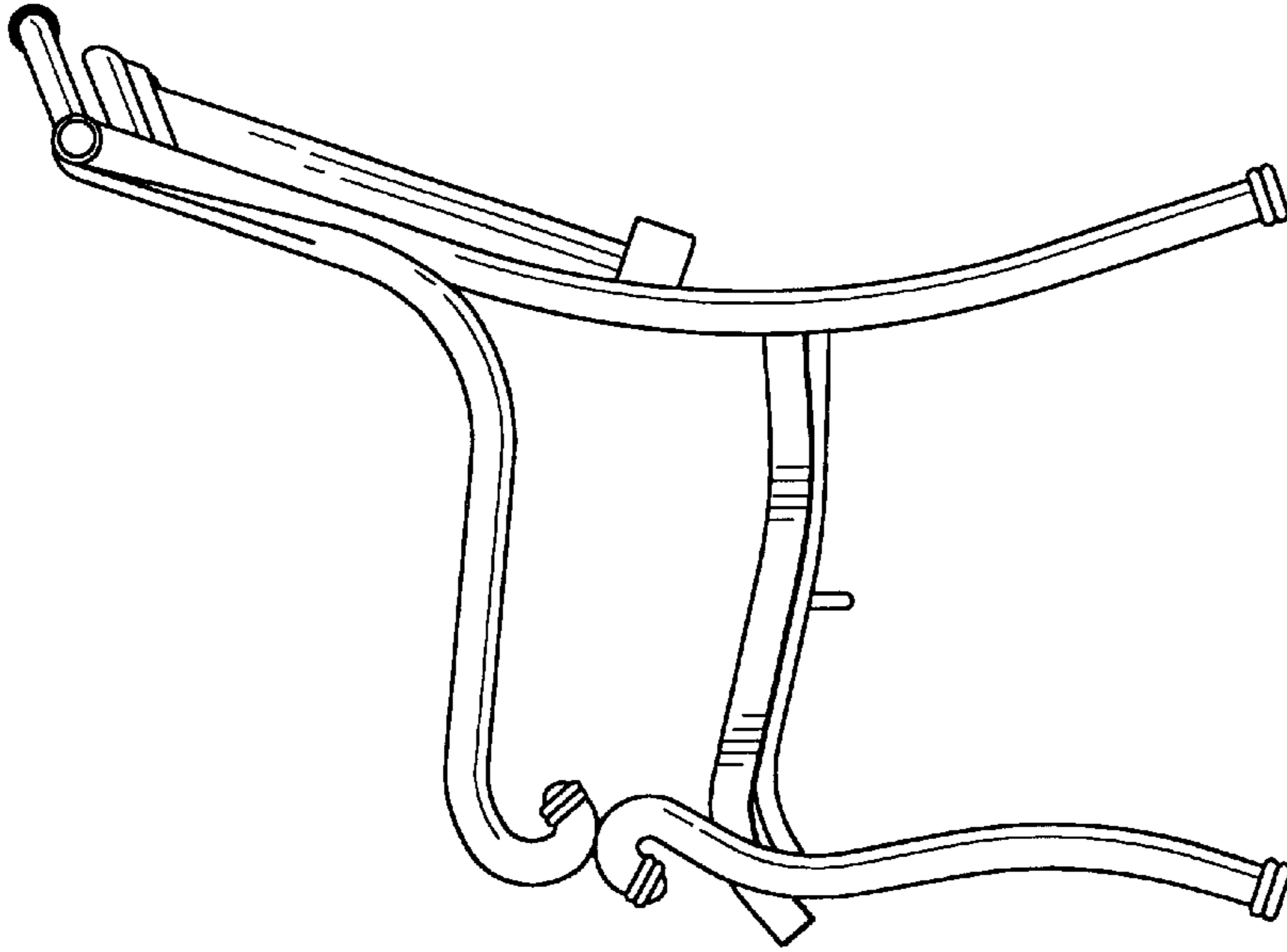


FIG. 5

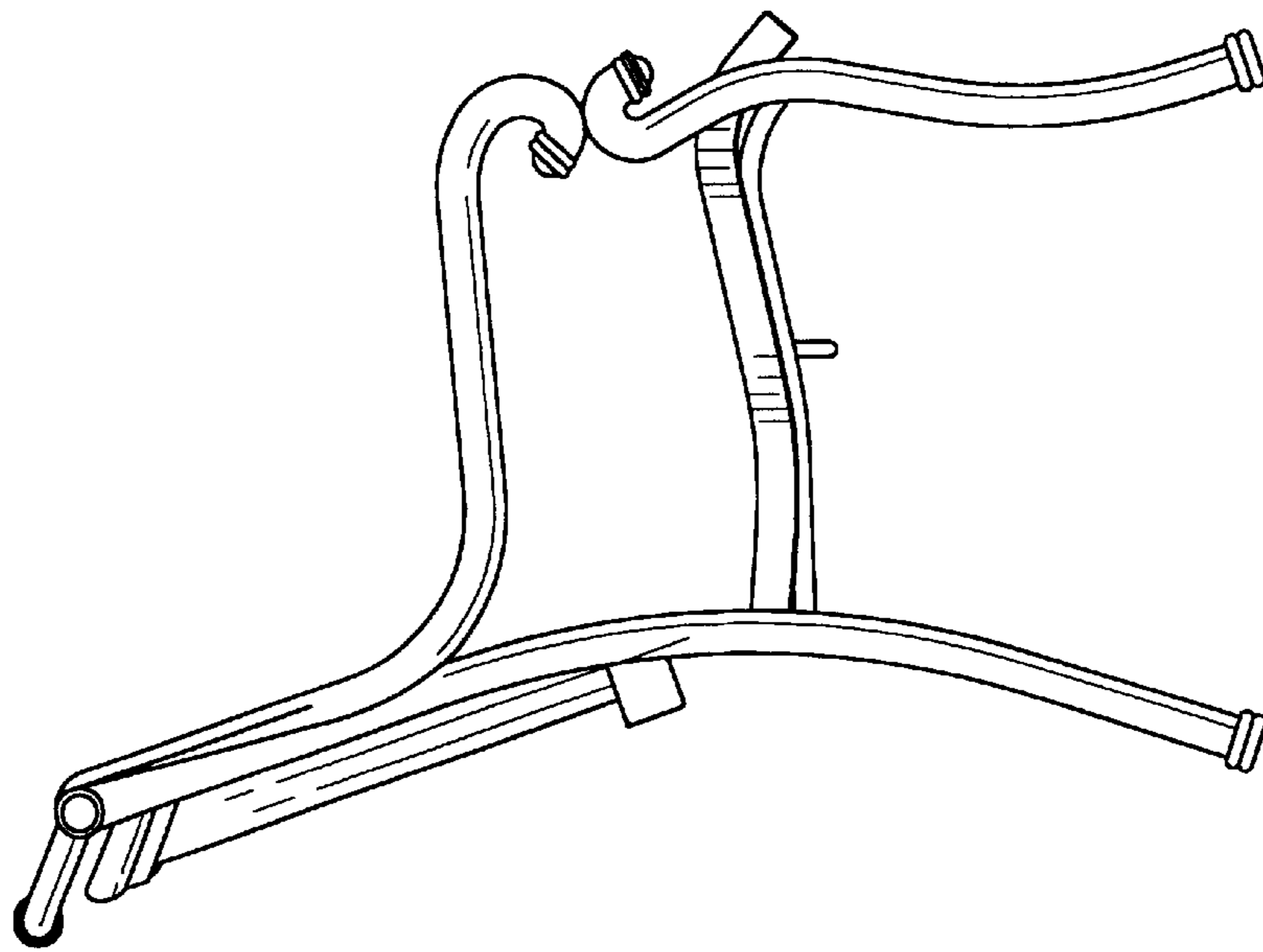


FIG. 4

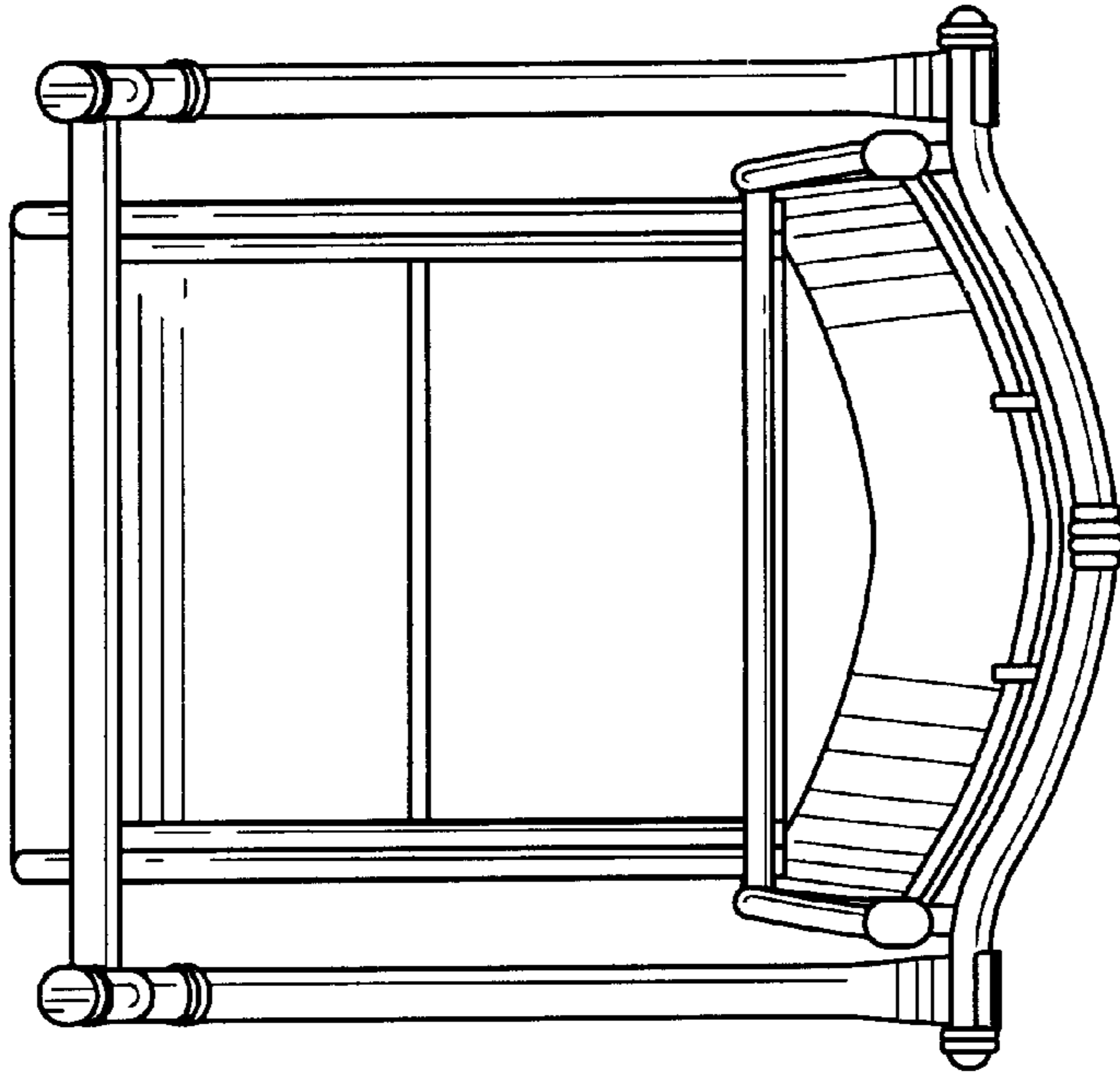


FIG. 7

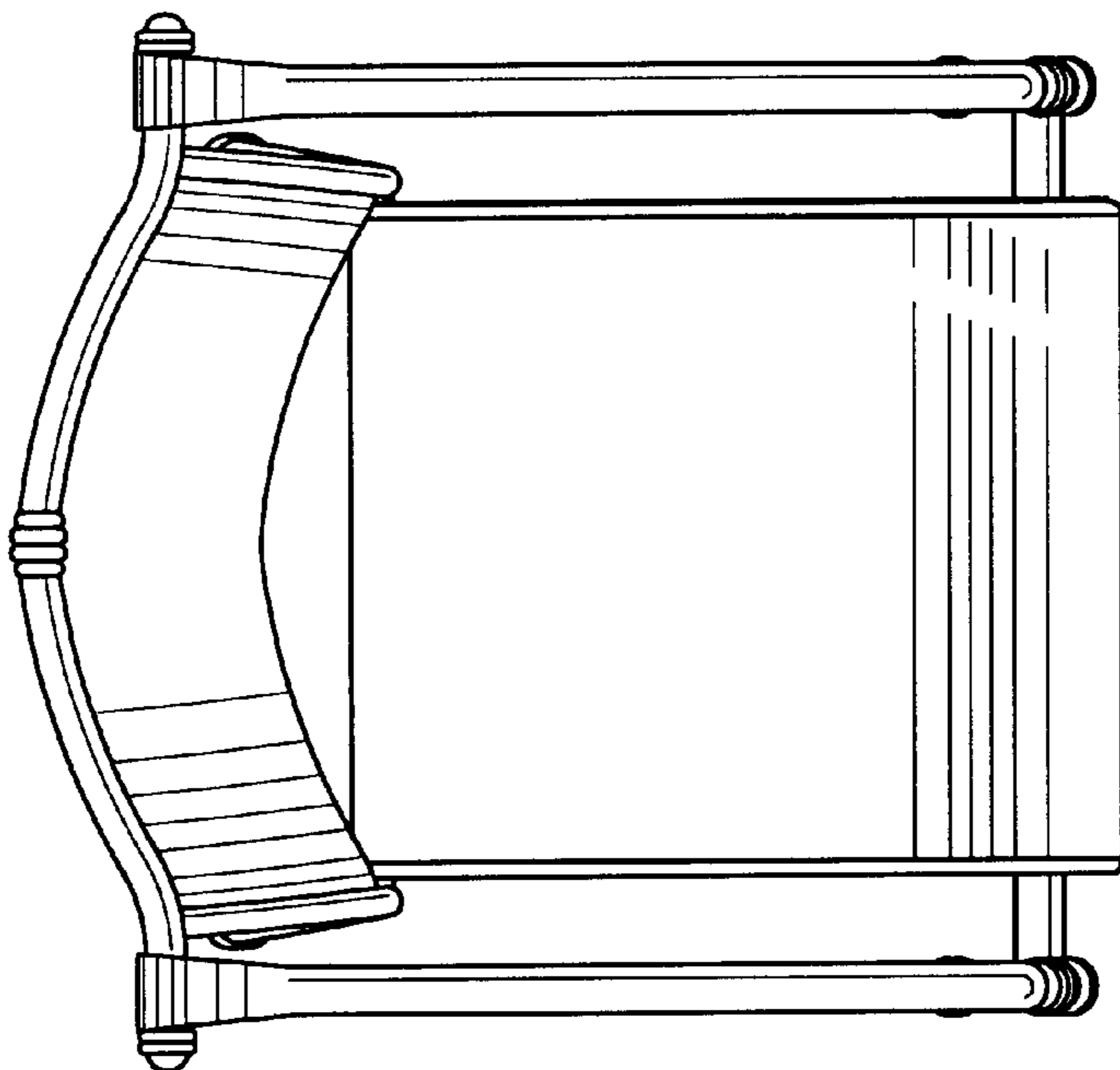


FIG. 6