



US00D486658S

(12) **United States Design Patent**  
**Weaver**

(10) **Patent No.:** **US D486,658 S**

(45) **Date of Patent:** **\*\* Feb. 17, 2004**

(54) **DINING CHAIR**

(75) **Inventor:** **Paul J. Weaver**, San Francisco, CA (US)

(73) **Assignee:** **Michael Taylor Designs, Inc.**, San Francisco, CA (US)

(\*\*) **Term:** **14 Years**

(21) **Appl. No.:** **29/176,303**

(22) **Filed:** **Feb. 20, 2003**

(51) **LOC (7) Cl.** ..... **06-01**

(52) **U.S. Cl.** ..... **D6/370; D6/360; D6/379**

(58) **Field of Search** ..... D6/334, 335, 360, D6/370, 374, 376, 379, 380, 500, 501, 502; 297/445.1, 446.1, 452.2, 452.63

(56) **References Cited**

**U.S. PATENT DOCUMENTS**

D180,659 S	*	7/1957	Jiranek	.....	D6/379
D202,426 S	*	9/1965	Jakobsen	.....	D6/360
D252,238 S	*	7/1979	Van Sant	.....	D6/379
D262,244 S	*	12/1981	Wilson	.....	D6/379
D296,050 S	*	6/1988	Allen	.....	D6/370
D319,355 S	*	8/1991	Hess	.....	D6/379
D357,592 S	*	4/1995	Kellen	.....	D6/360
D380,311 S	*	7/1997	Diaz-Azcuy	.....	D6/370 X
D386,322 S	*	11/1997	Maury	.....	D6/370
D388,983 S	*	1/1998	Mulligan et al.	.....	D6/500
D396,359 S	*	7/1998	Jiang	.....	D6/370
D431,380 S	*	10/2000	Hutton	.....	D6/360
D460,872 S	*	7/2002	Diaz-Azcuy	.....	D6/370 X
D465,669 S	*	11/2002	Gaylord et al.	.....	D6/360 X
D468,919 S	*	1/2003	Juneau	.....	D6/360

**OTHER PUBLICATIONS**

Loewenstein catalist 14, p. 24, chair #864Z at bottom center page.\*

Plow & Hearth, p. 6, chairs at bottom left.\*

Architectural Digest, "La Quinta Norte—Douglas S. Cramer's Ranch in Santa Ynez Valley", pp. 137–147, May 1985.

Weaver, pending U.S. design patent application Ser. No. 29/176,361, filed Feb. 20, 2003, entitled "Lounge Chair".

Weaver, pending U.S. design patent application Ser. No. 29/176,307, filed Feb. 20, 2003, entitled "Ottoman".

Weaver, pending U.S. design patent application Ser. No. 29/176,305, filed Feb. 20, 2003, entitled "Chaise".

Weaver, pending U.S. design patent application Ser. No. 29/176,359, filed Feb. 20, 2003, entitled "Chaise".

Weaver, pending U.S. design patent application Ser. No. 29/176,300, filed Feb. 20, 2003, entitled "Platform".

\* cited by examiner

*Primary Examiner*—Gary D. Watson

(74) *Attorney, Agent, or Firm*—Heslin Rothenberg Farley & Mesiti, P.C.

(57) **CLAIM**

The ornamental design for a dining chair, as shown and described.

**DESCRIPTION**

FIG. 1 is a perspective view of a dining chair in accordance with the new design;

FIG. 2 is a top view thereof;

FIG. 3 is a front elevational view thereof;

FIG. 4 is a left side elevational view thereof, a right side elevational view being a mirror image thereof;

FIG. 5 is a rear elevational view thereof;

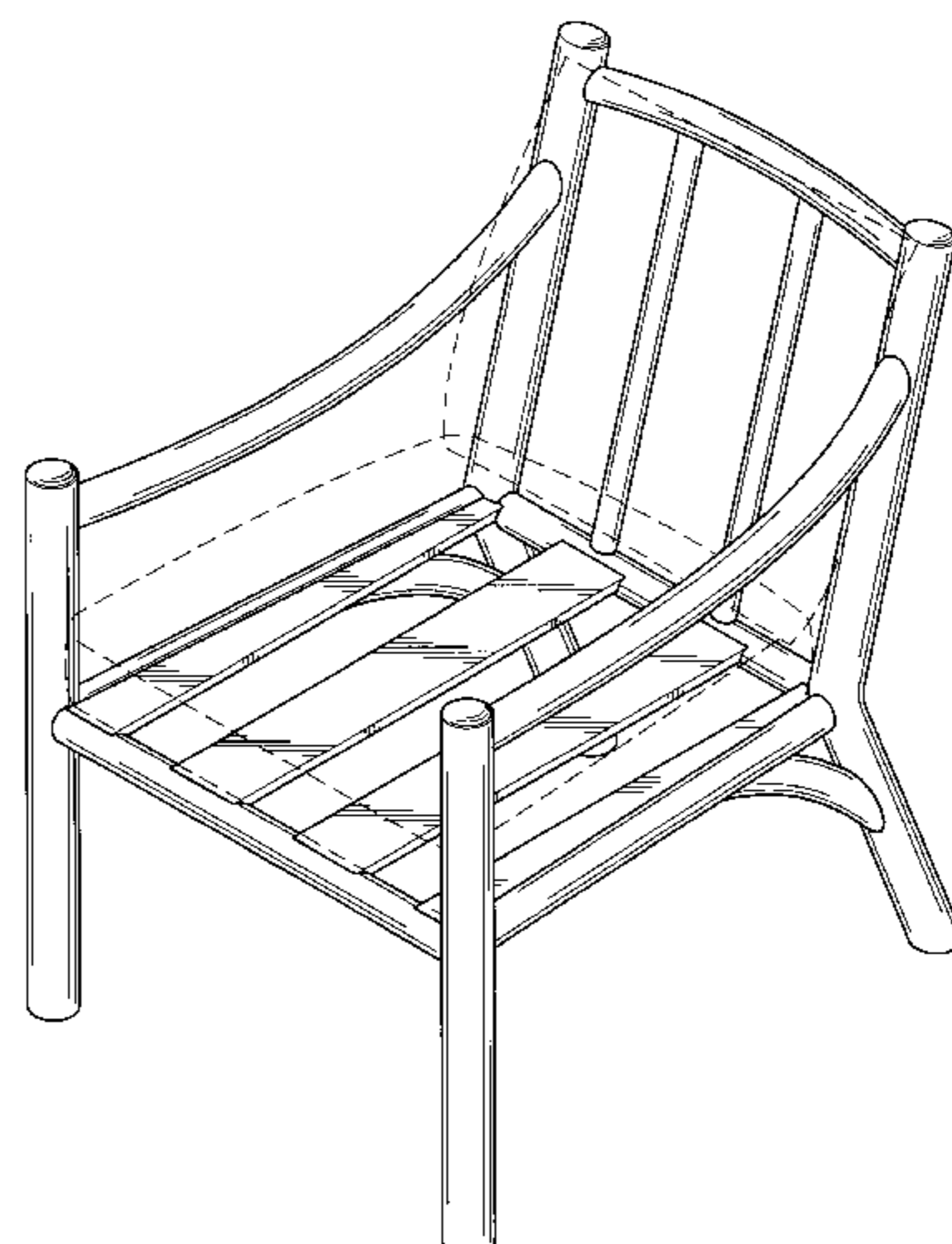
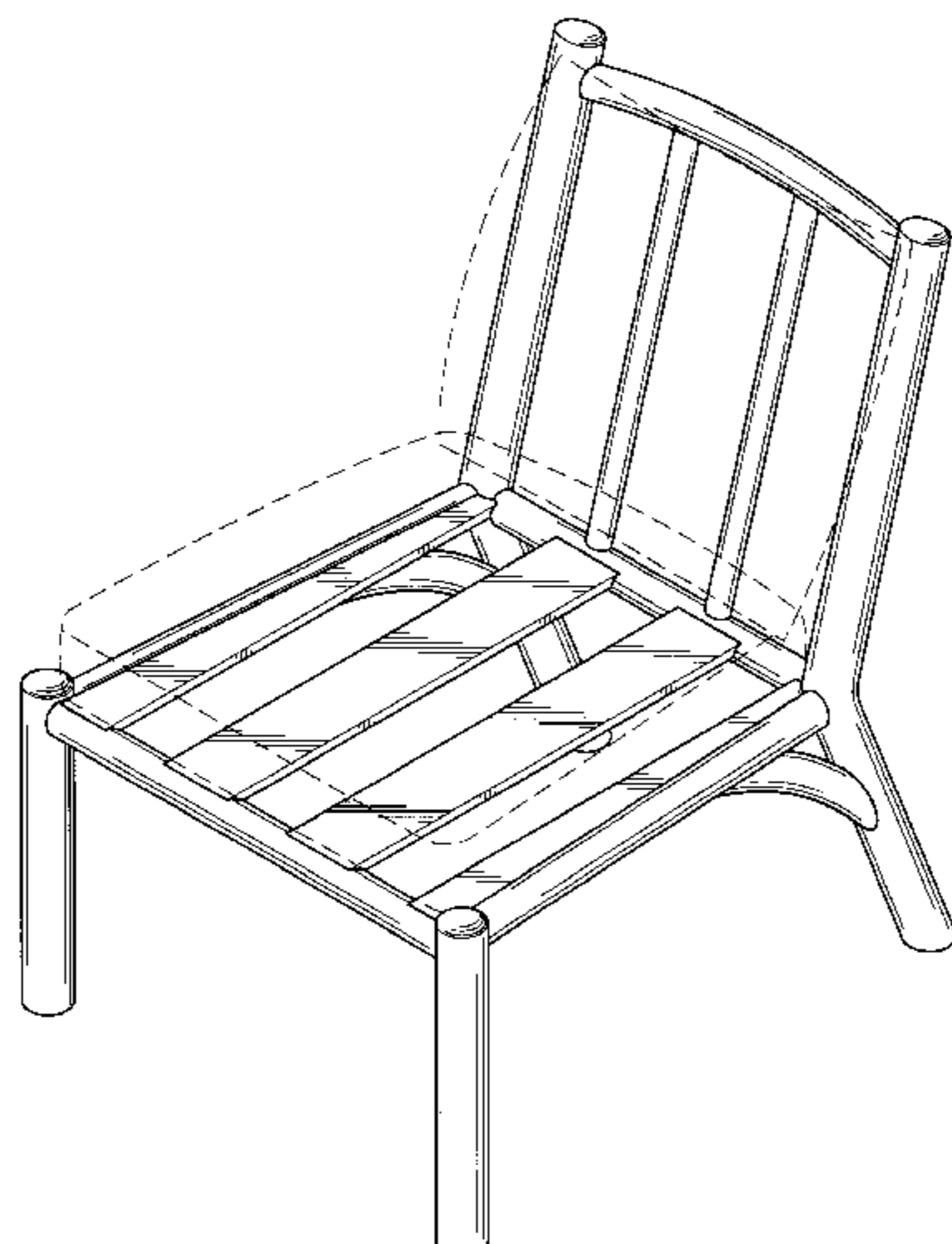
FIG. 6 is a perspective view of an alternative embodiment of a dining chair in accordance with the new design with arms;

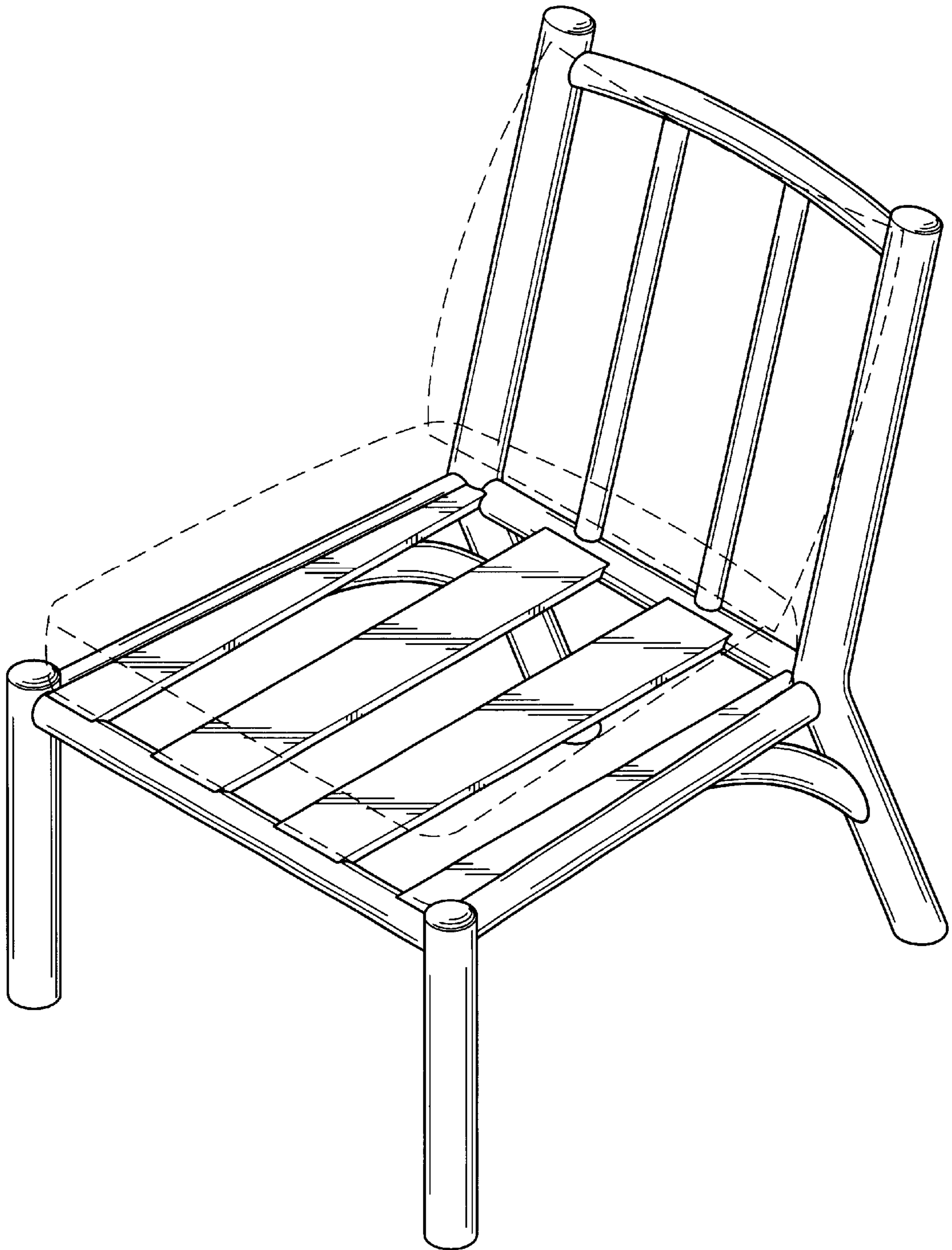
FIG. 7 is a perspective view of an alternative embodiment of a dining chair in accordance with the new design in the form of a bar stool without arms; and,

FIG. 8 is a perspective view of an alternative embodiment of a dining chair in accordance with the new design in the form of a bar stool with arms.

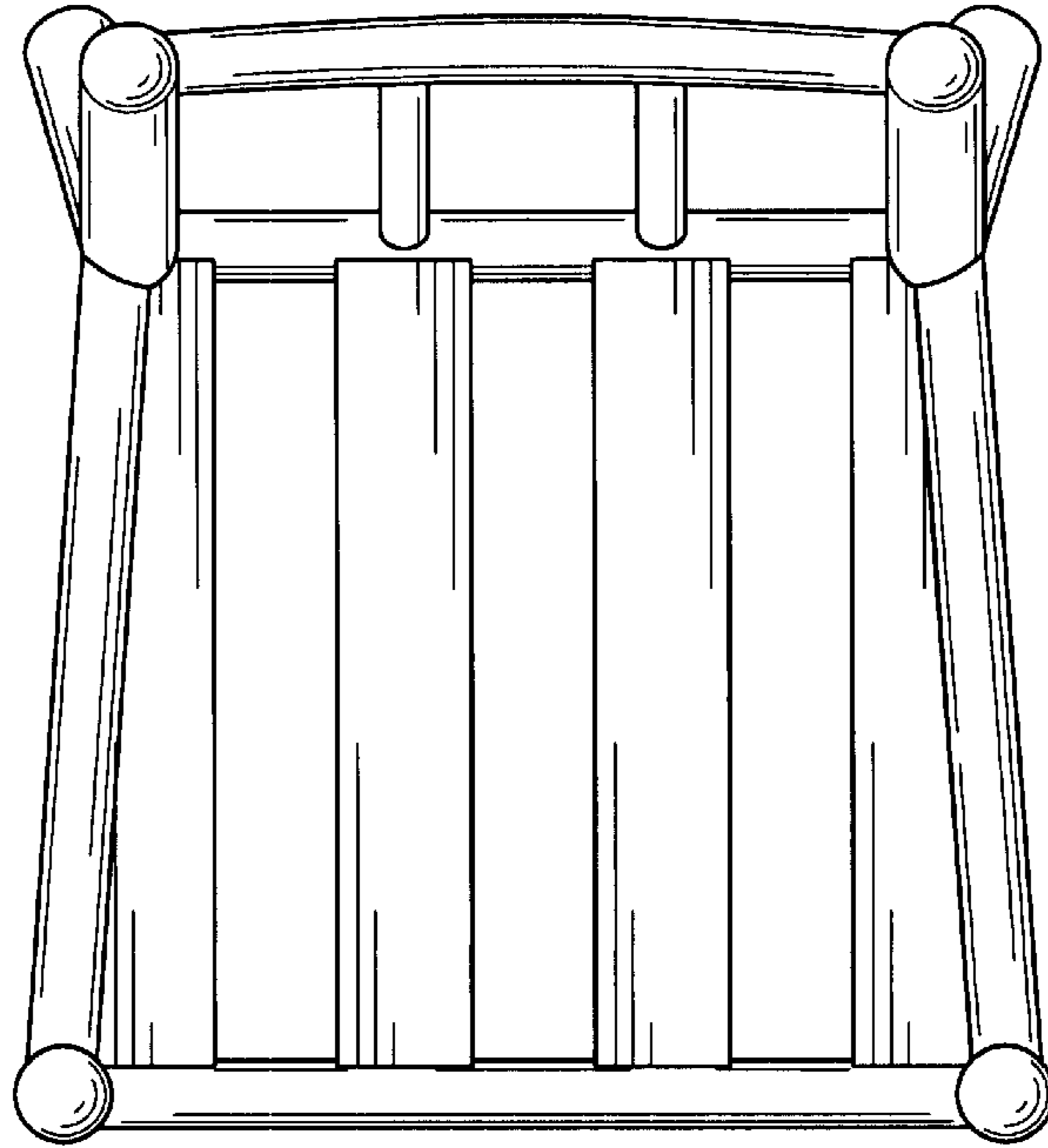
The broken lines in FIGS. 1 and 6–8 are for illustrative purposes only and form no part of the claimed design.

**1 Claim, 6 Drawing Sheets**

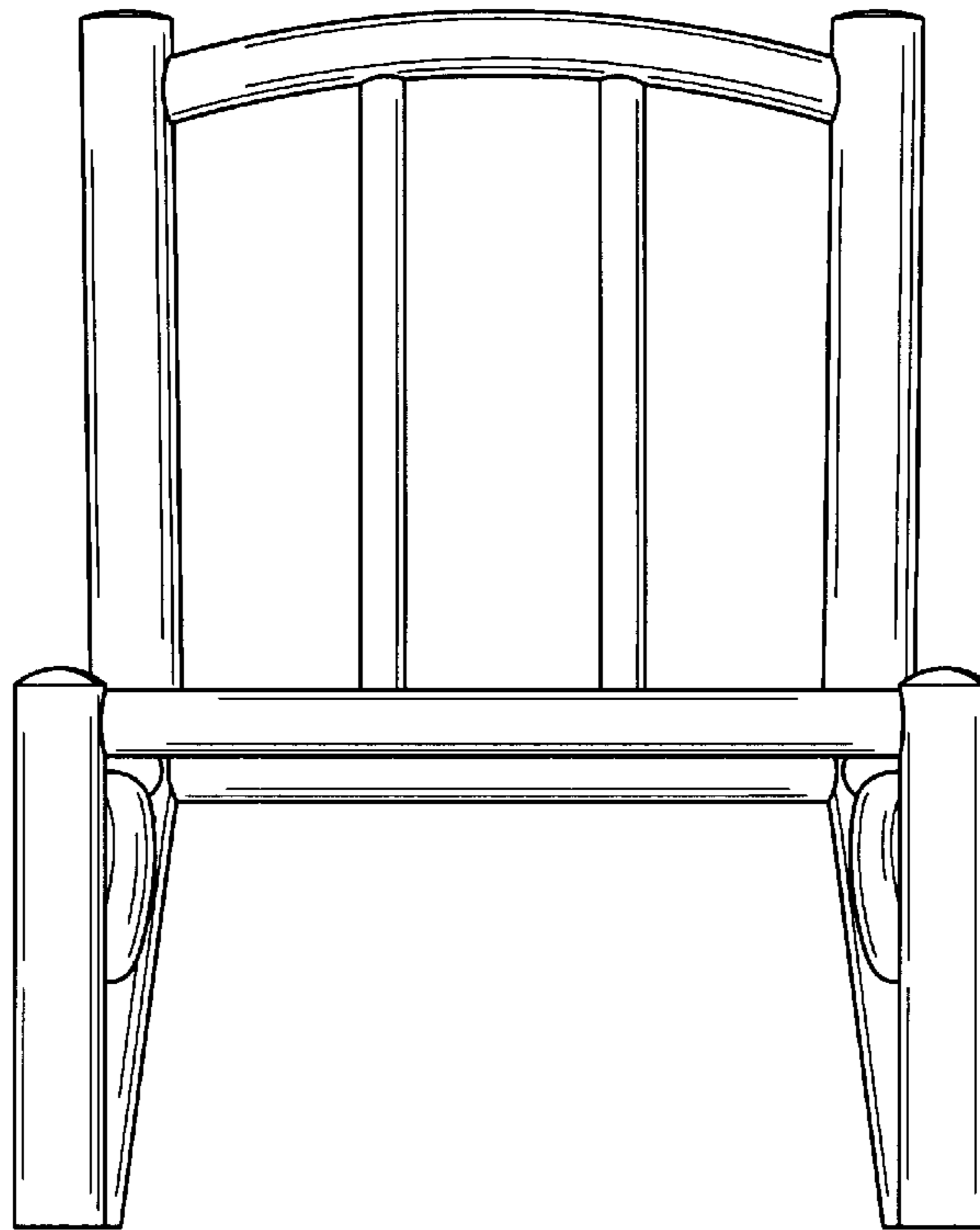




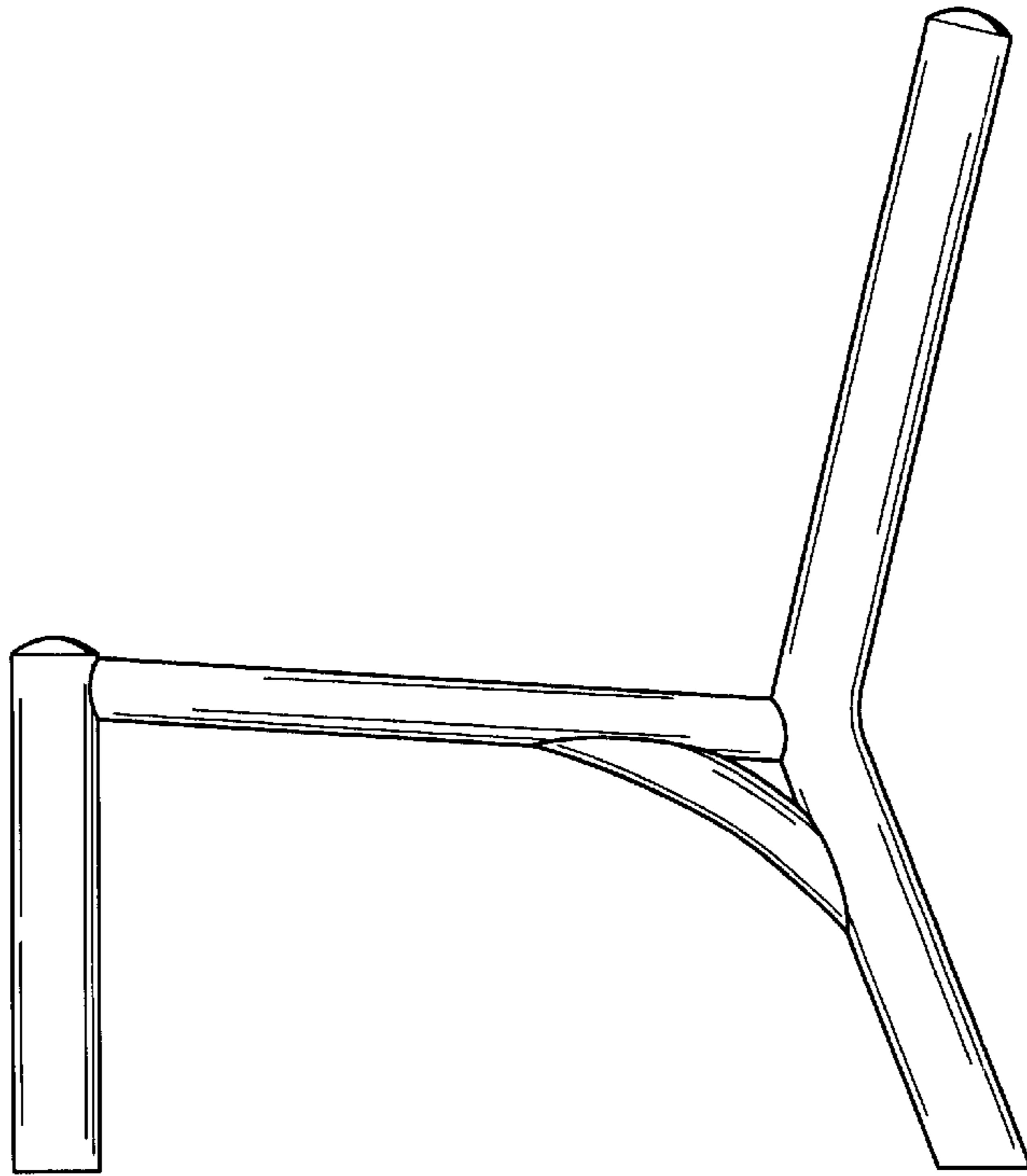
**FIG. 1**



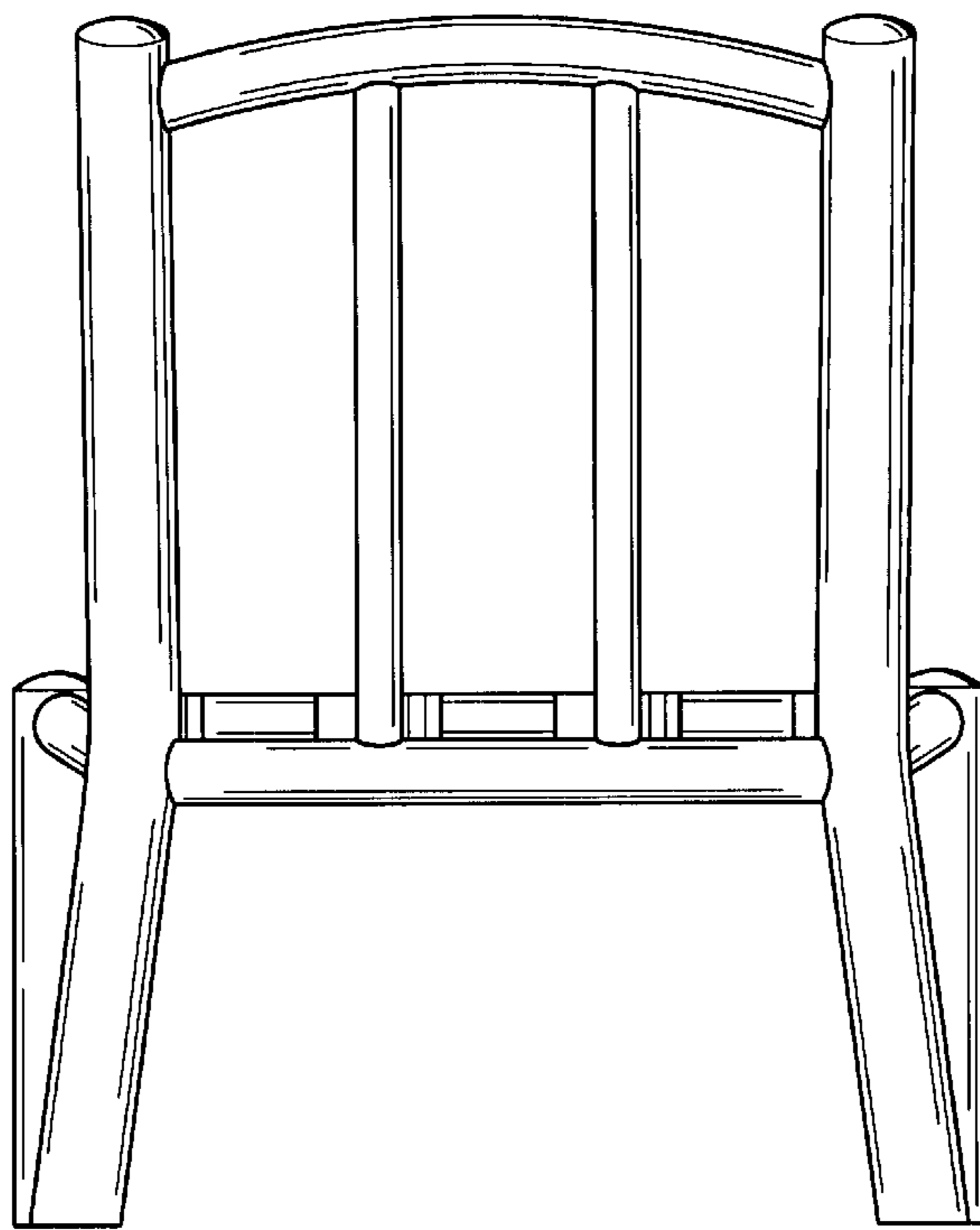
**FIG. 2**



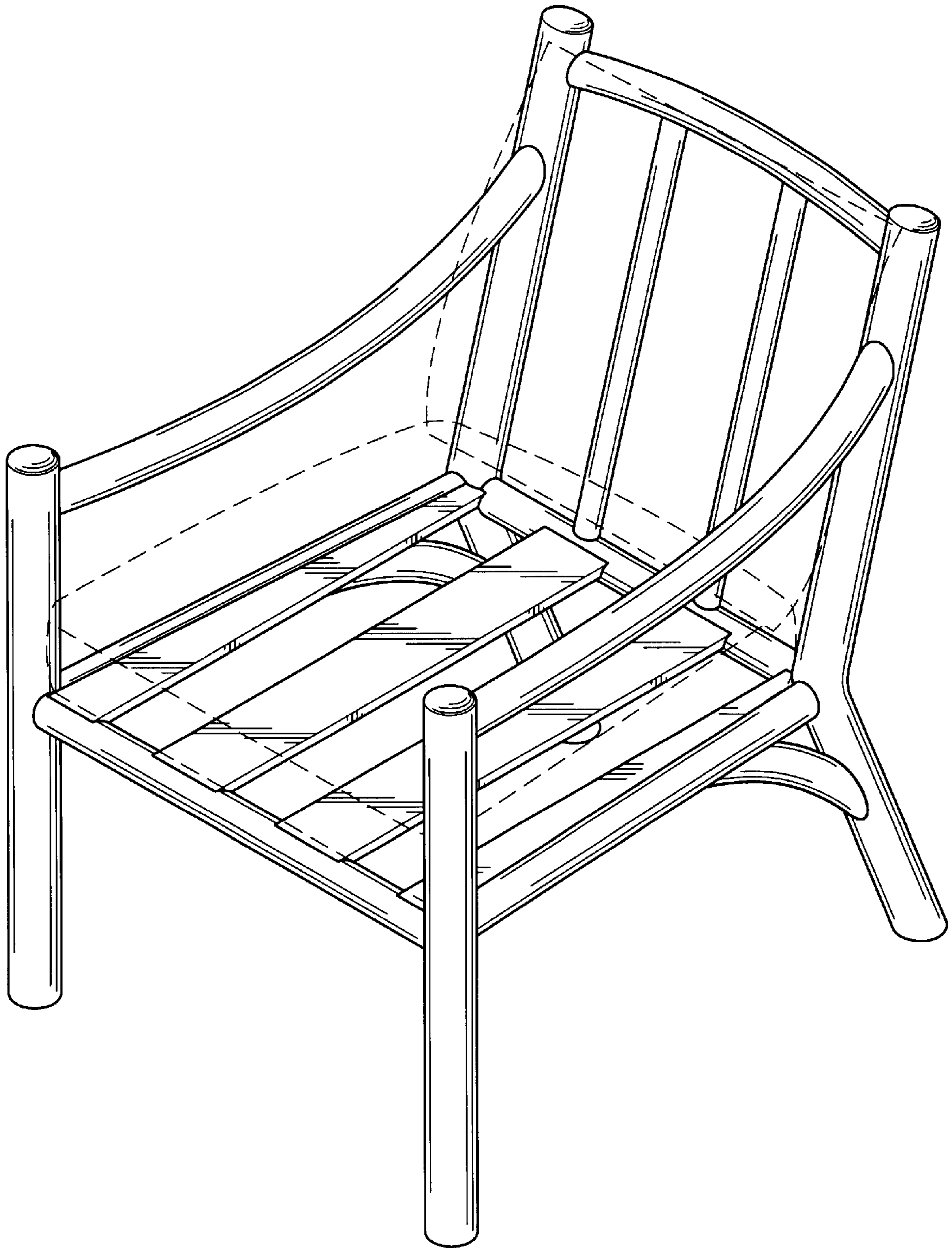
**FIG. 3**



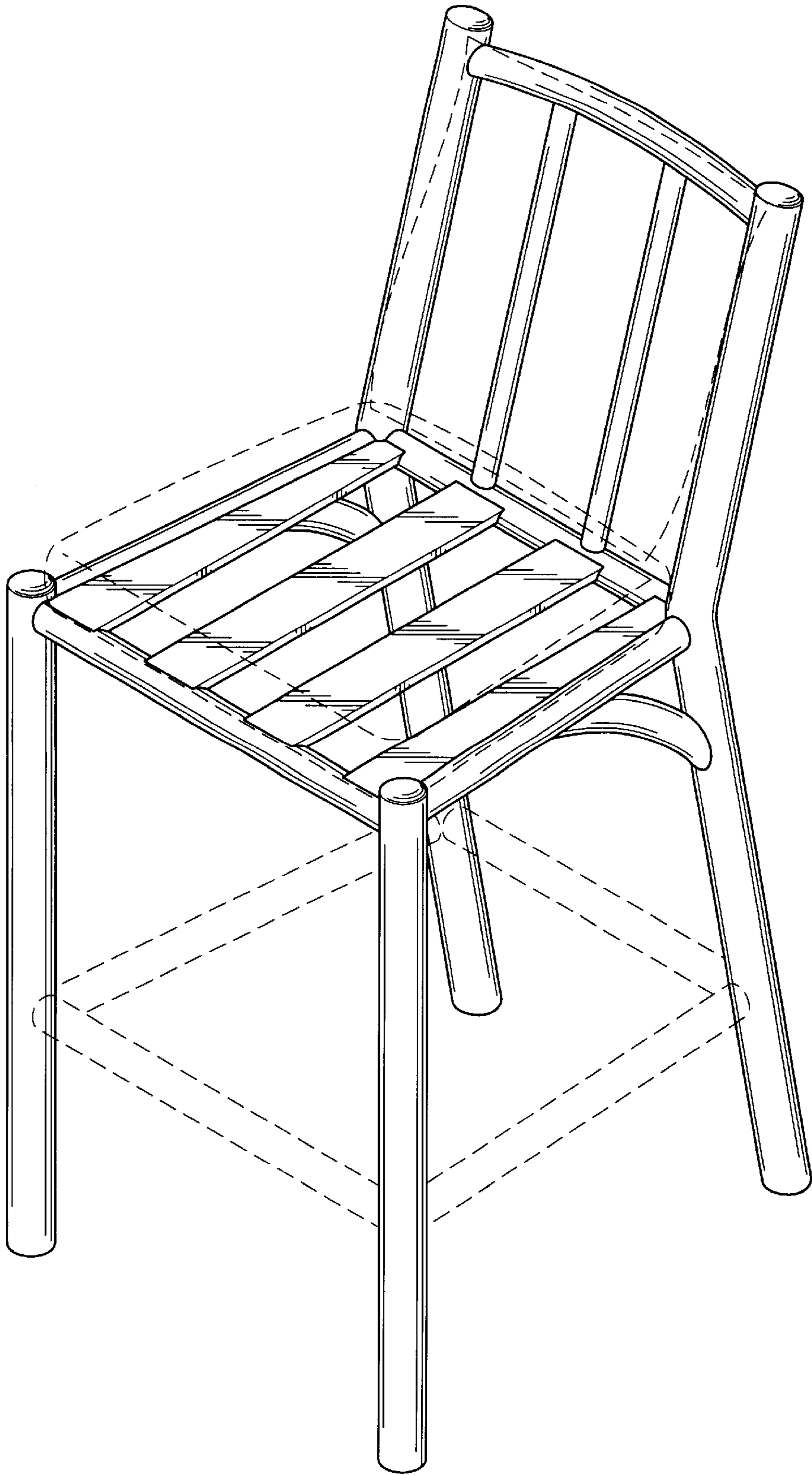
**FIG. 4**



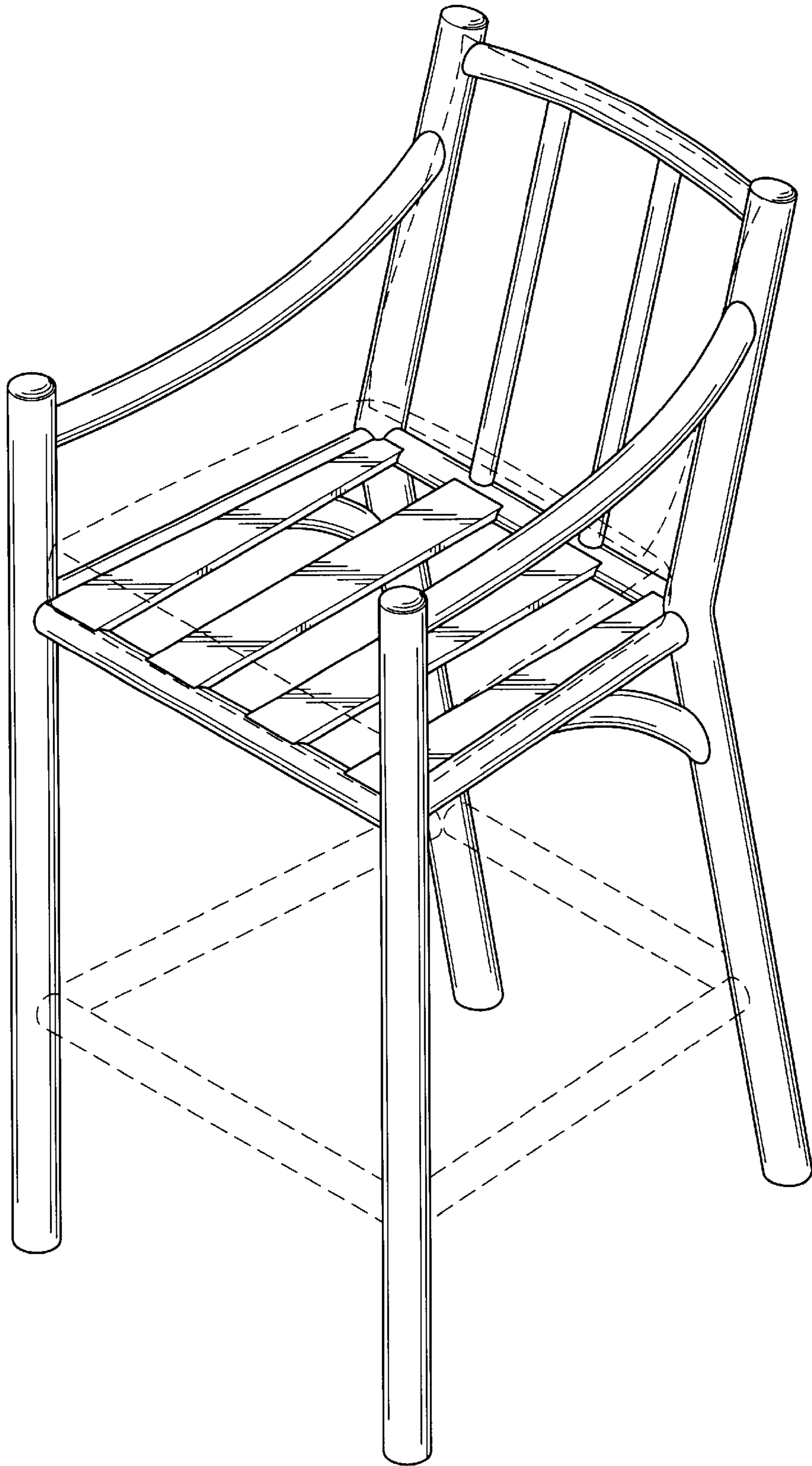
**FIG. 5**



**FIG. 6**



**FIG. 7**



**FIG. 8**