



US00D486657S

(12) **United States Design Patent** (10) **Patent No.:** **US D486,657 S**
Su (45) **Date of Patent:** **** Feb. 17, 2004**

(54) **CHAIR**

(76) Inventor: **Tung-Hua Su**, No. 6, Sec. 3, Bao Ta Road, Kuwi Jen Hsiang, Tainan Hsien (TW)

(**) Term: **14 Years**

(21) Appl. No.: **29/177,647**

(22) Filed: **Mar. 13, 2003**

(51) **LOC (7) Cl.** **06-01**

(52) **U.S. Cl.** **D6/366**

(58) **Field of Search** D6/334, 335, 364, D6/365, 366, 367, 500, 501, 502; 297/411.2, 411.27, 411.28, 411.29, 411.36

(56) **References Cited**

U.S. PATENT DOCUMENTS

D346,279 S	*	4/1994	Stumpf et al.	D6/366
D386,023 S	*	11/1997	Stumpf et al.	D6/372
D420,523 S	*	2/2000	Stumpf et al.	D6/372
D423,259 S	*	4/2000	Grove	D6/366
D445,581 S	*	7/2001	Su	D6/366
D449,174 S	*	10/2001	Neil	D6/366
D449,457 S	*	10/2001	Su	D6/366
D453,079 S	*	1/2002	Ma	D6/366
D456,626 S	*	5/2002	Su	D6/366
D461,323 S	*	8/2002	Su	D6/366

D465,345 S	*	11/2002	Ma	D6/372
D471,024 S	*	3/2003	Chadwick et al.	D6/366
6,550,866 B1	*	4/2003	Su	297/452.42
D474,346 S	*	5/2003	Saylor et al.	D6/366
D479,656 S	*	9/2003	Ma	D6/366

OTHER PUBLICATIONS

Aeron chairs; Herman Miller, Inc. brochure; c. 1998.*

* cited by examiner

Primary Examiner—Doris V. Coles

Assistant Examiner—T. Chase Nelson

(74) *Attorney, Agent, or Firm*—Charles E. Baxley

(57) **CLAIM**

The ornamental design for a chair, as shown.

DESCRIPTION

FIG. 1 is a perspective view of a chair showing my new design;

FIG. 2 is a front elevation view thereof;

FIG. 3 is a rear elevation view thereof;

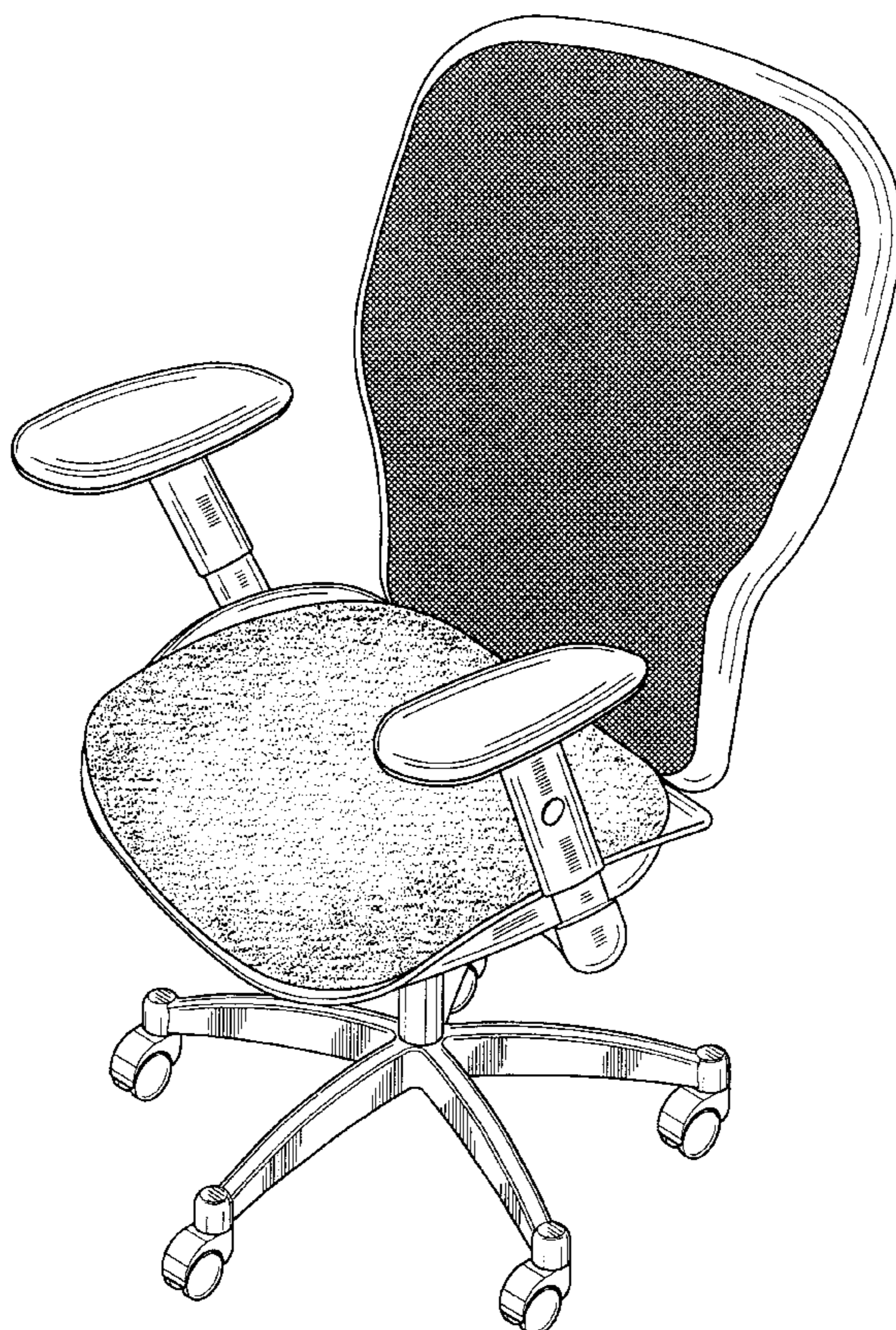
FIG. 4 is a left side elevation view thereof;

FIG. 5 is a right side elevation view thereof;

FIG. 6 is a top plan view thereof; and,

FIG. 7 is a bottom plan view thereof.

1 Claim, 6 Drawing Sheets



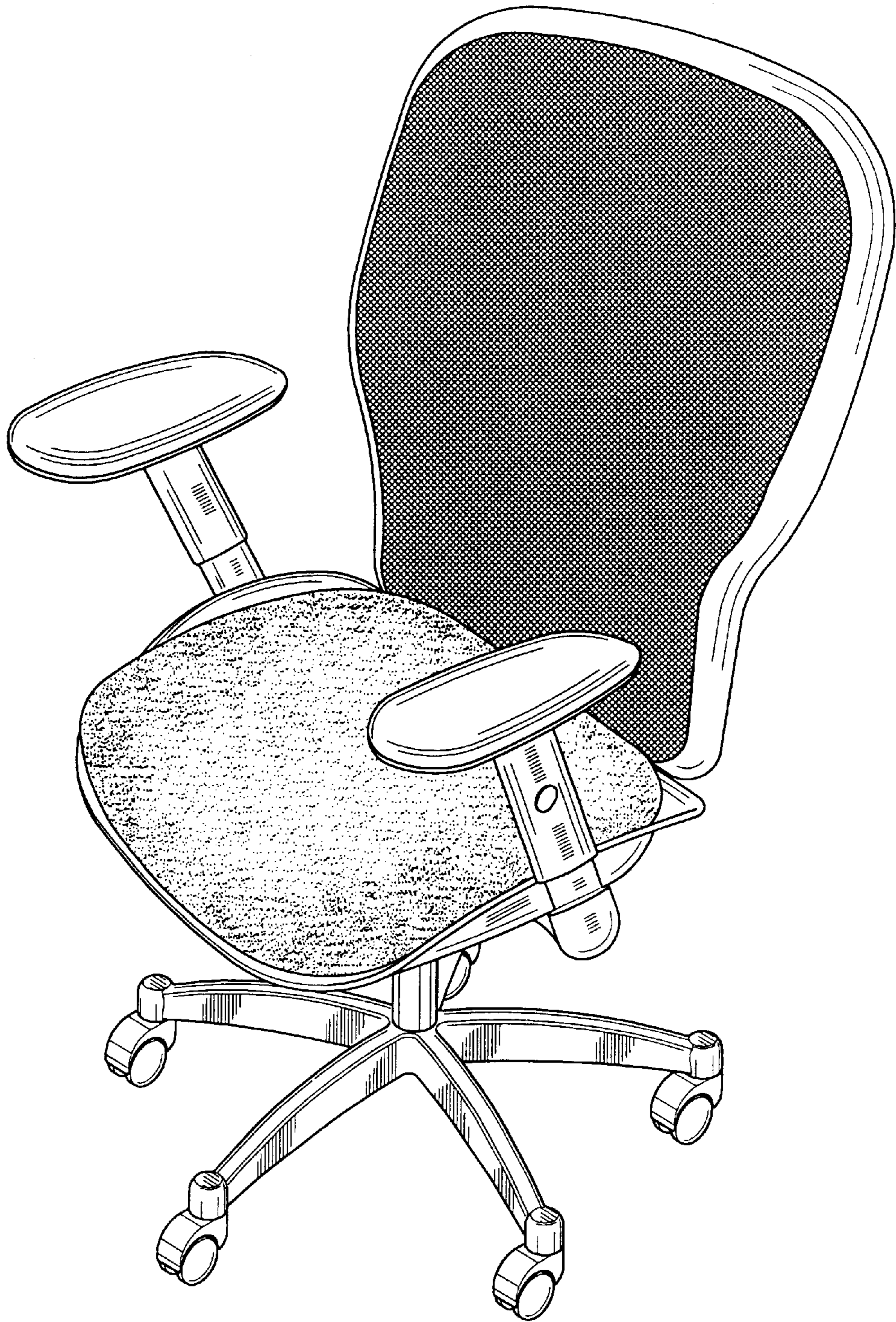
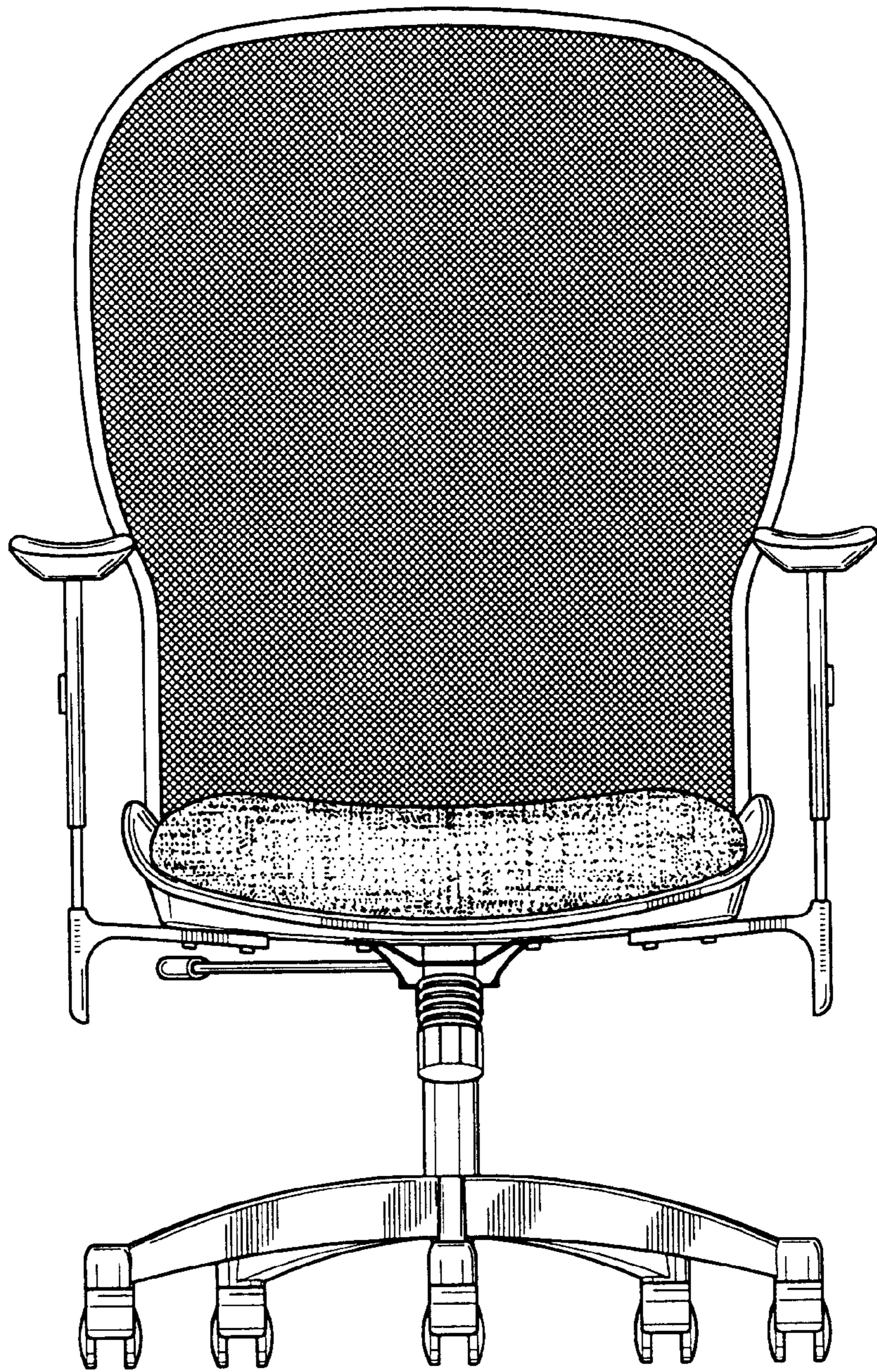
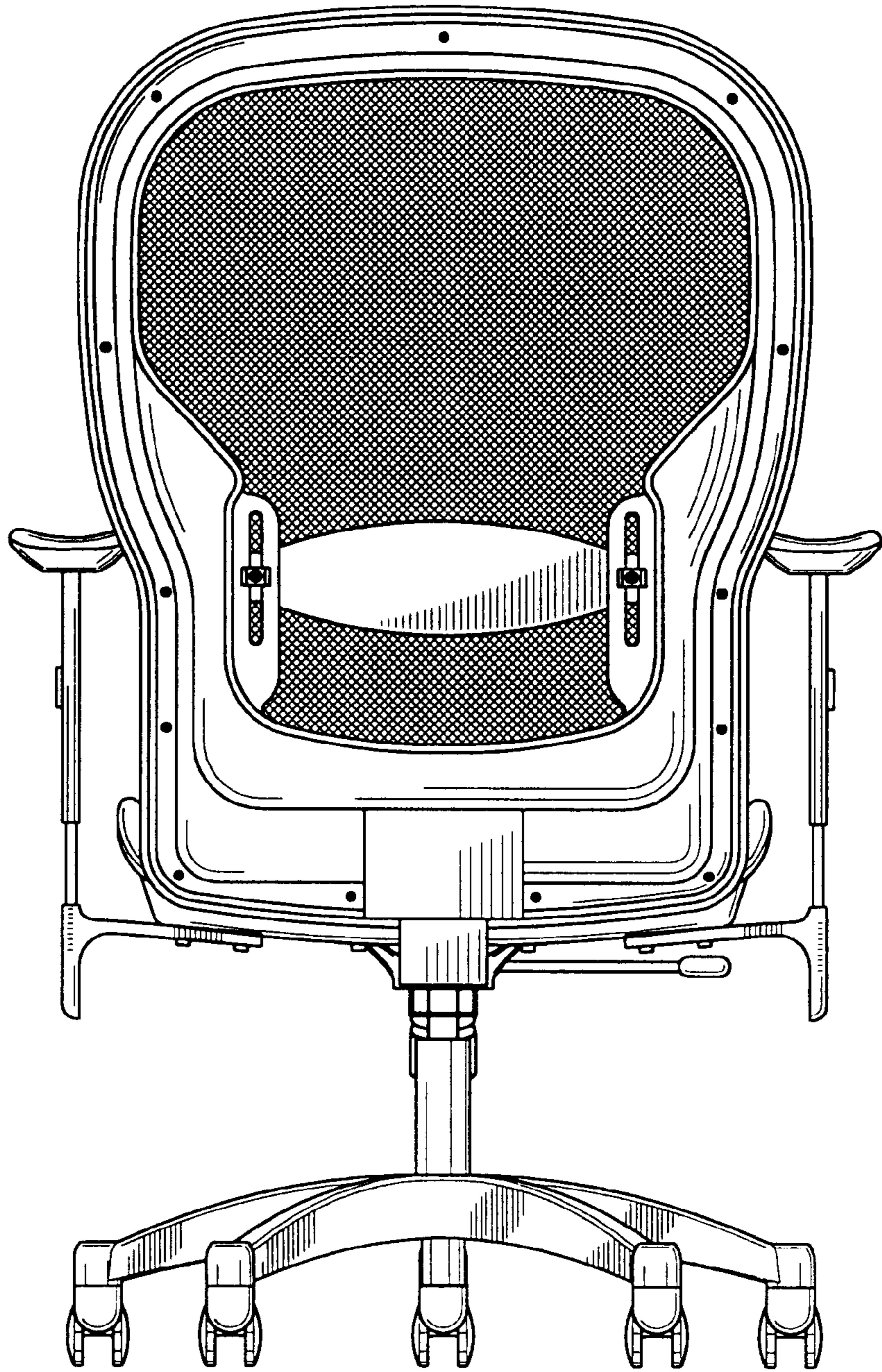


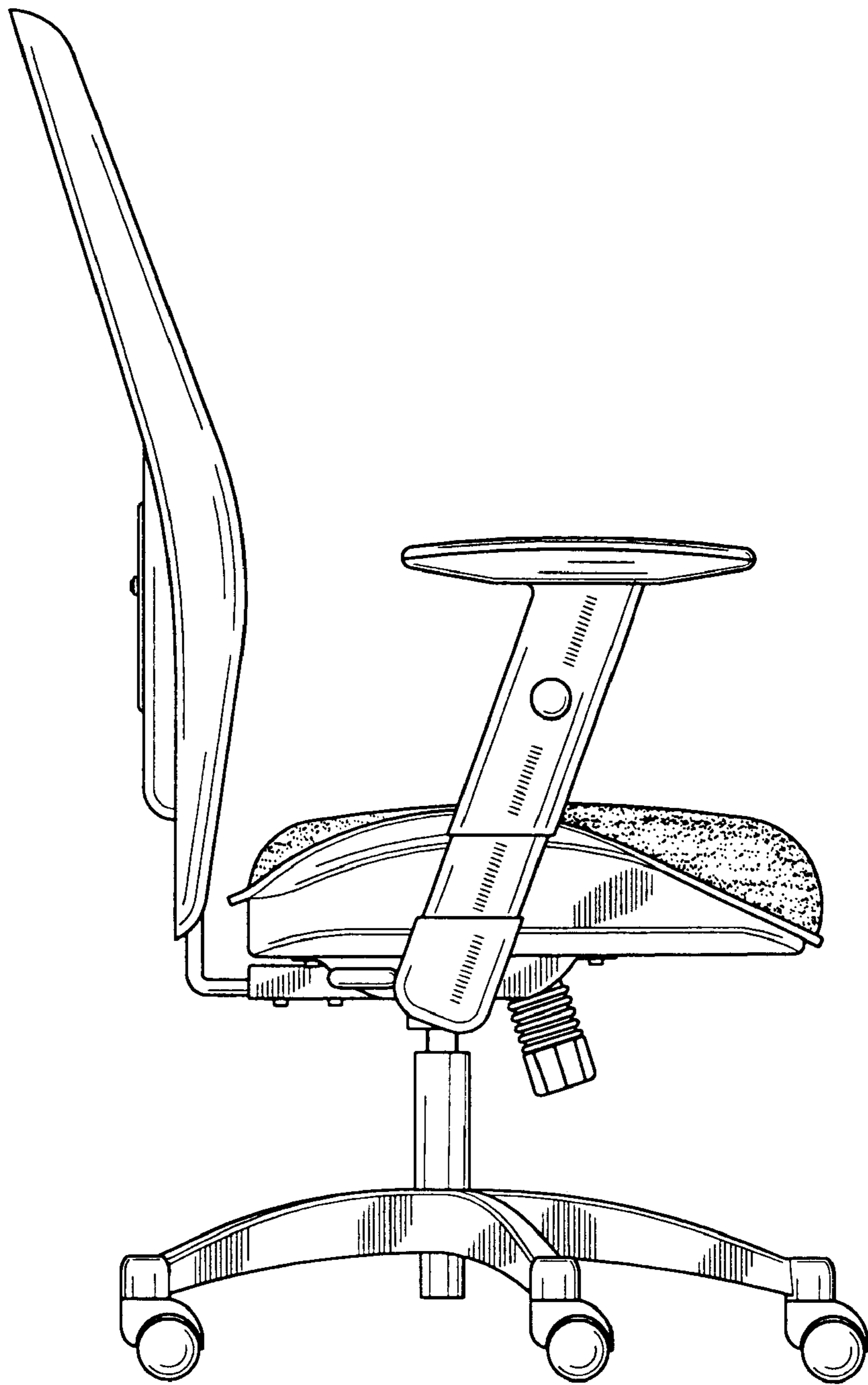
FIG. 1



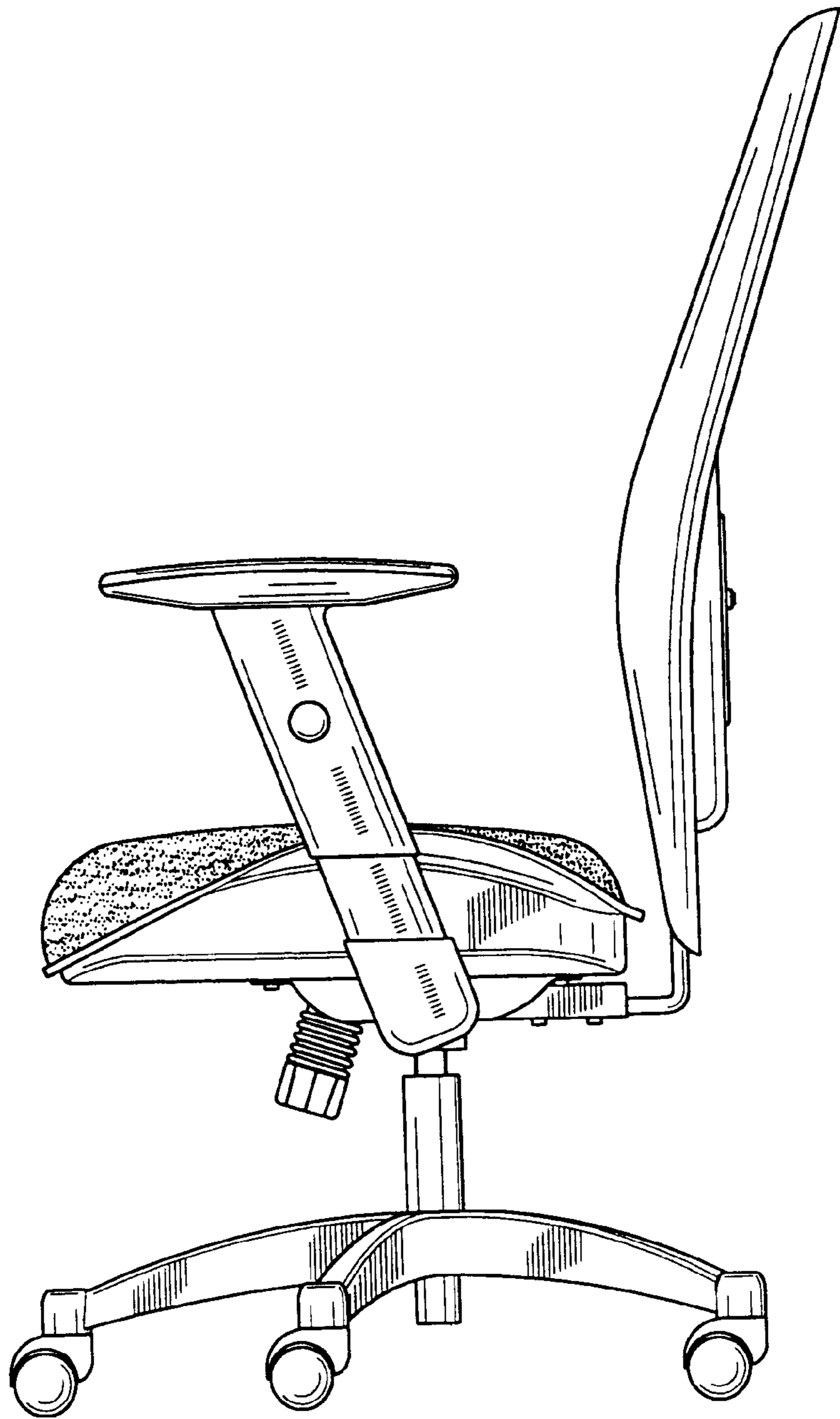
F I G . 2



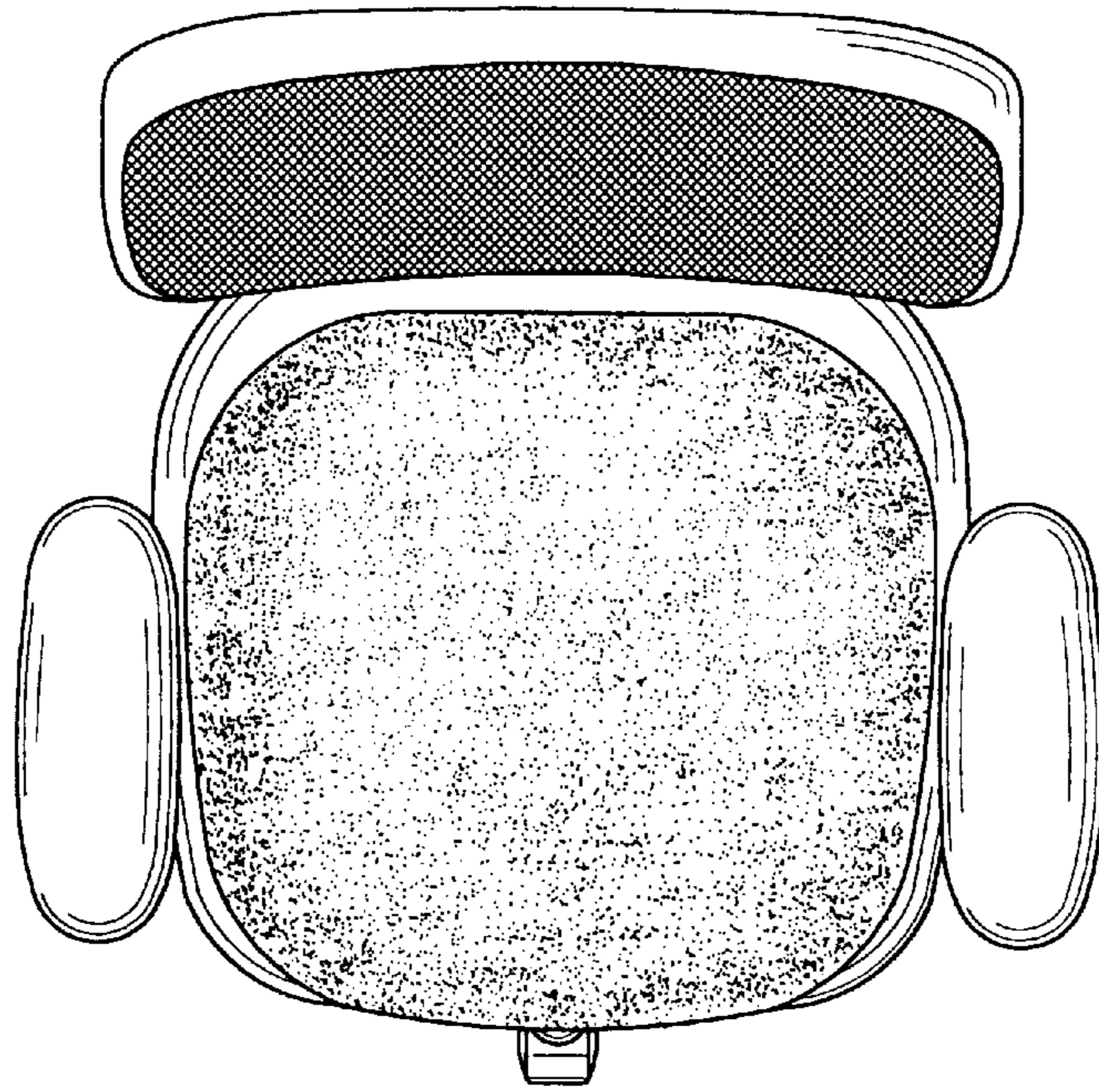
F I G . 3



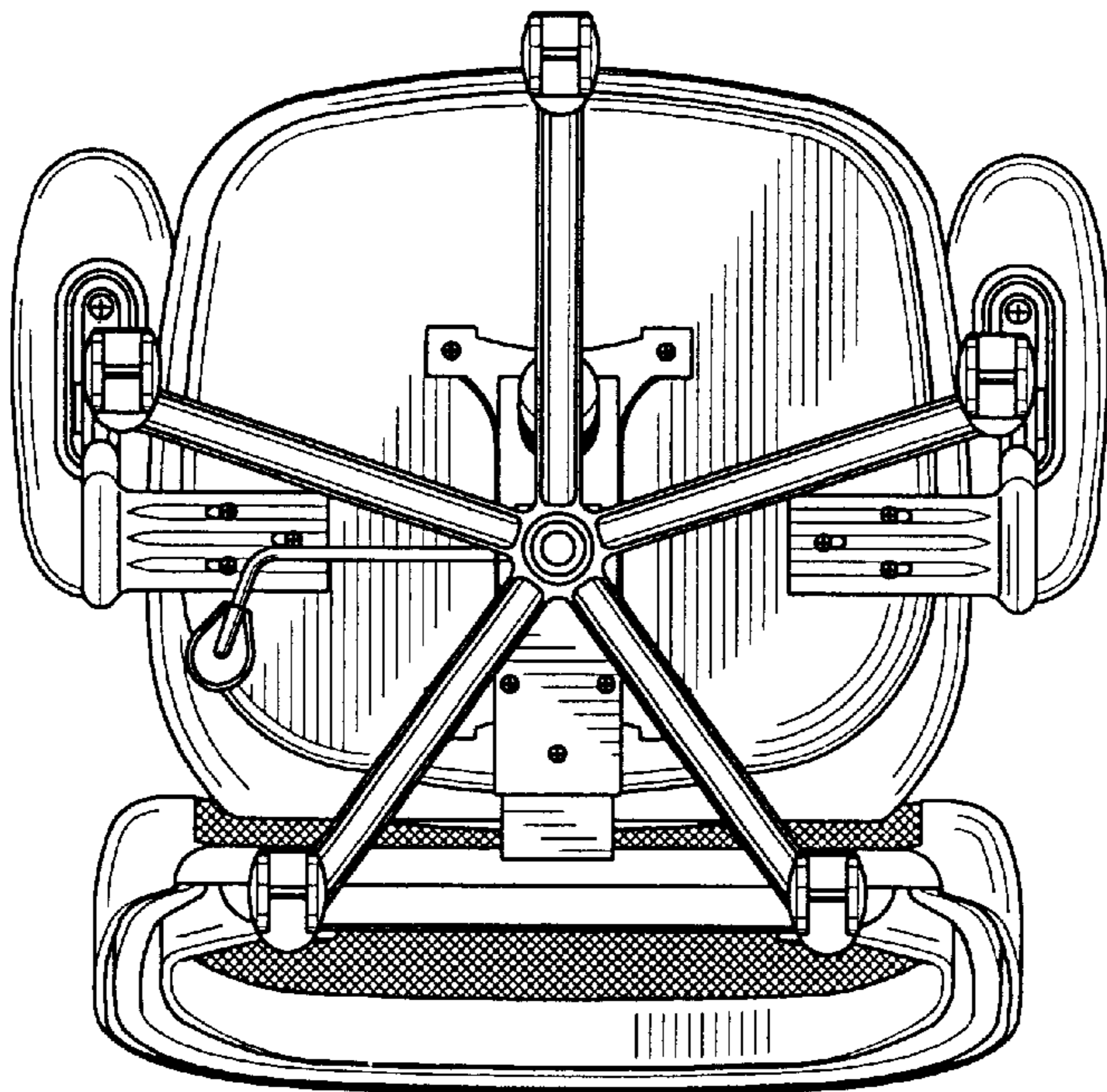
F I G . 4



F I G . 5



F I G . 6



F I G . 7