



US00D486653S

(12) **United States Design Patent** (10) **Patent No.:** **US D486,653 S**
Weaver et al. (45) **Date of Patent:** **** Feb. 17, 2004**

(54) **CHAIR**

(75) Inventors: **Stephen D. Weaver**, Modesto, CA (US); **Melvin C. Leavitt**, Modesto, CA (US)

(73) Assignee: **Craig Leavitt & Stephen Weaver, Inc.**, Modesto, CA (US)

(**) Term: **14 Years**

(21) Appl. No.: **29/175,768**

(22) Filed: **Feb. 10, 2003**

(51) **LOC (7) Cl.** **06-01**

(52) **U.S. Cl.** **D6/336**

(58) **Field of Search** D6/334, 335, 336, D6/368, 370, 371, 372, 373, 374, 379, 380, 500-502, 478-479; 297/160.1, 440.1, 440.12, 440.13, 440.23, 3; 248/188, 188.1, 188.8

(56) **References Cited**

U.S. PATENT DOCUMENTS

796,353 A *	8/1905	Rasmussen	297/3
D93,307 S	9/1934	Treitel	D6/477
D149,891 S	6/1948	Little	D6/477
D240,871 S	8/1976	Herman	D6/488
D298,705 S	11/1988	Johnson, Jr.	D6/405
D304,135 S	10/1989	Mergenov	D6/477
D309,539 S	7/1990	Lewis	D6/479
D384,214 S *	9/1997	Green	D6/368
6,079,772 A *	6/2000	Green	297/16.1
D473,734 S *	4/2003	Weaver	D6/484

OTHER PUBLICATIONS

Weaver, "TABLE," pending U.S. Design patent application Ser. No. 29/162,779, filed Jun. 21, 2002.

Weaver, "TABLE," pending U.S. Design patent application Ser. No. 29/162,780, filed Jun. 21, 2002.

Weaver, "SUPPORT LEG," pending U.S. Design patent application Ser. No. 29/166,571 filed Aug. 30, 2002.

Weaver, "TABLE," pending U.S. Design patent application Ser. No. 29/170,342 filed Nov. 4, 2002.

Luceplan Suspension Lighting Fixture, TITANIA Alberto Meda, Paolo Rizzotto, http://www.luceplan.com/sheets/suspension/sh_d17.html, 1989, one page.

Luceplan Suspension Lighting Fixture, TITANIA, <http://www.luceplan.com/suspension/titania.html>, one page.

* cited by examiner

Primary Examiner—Doris V. Coles

Assistant Examiner—Mimosa De

(74) *Attorney, Agent, or Firm*—Heslin Rothenberg Farley & Mesiti P.C.

(57) **CLAIM**

The ornamental design for the chair, as shown and described.

DESCRIPTION

FIG. 1 is a perspective view of a chair comprising the new design;

FIG. 2 is a top view thereof;

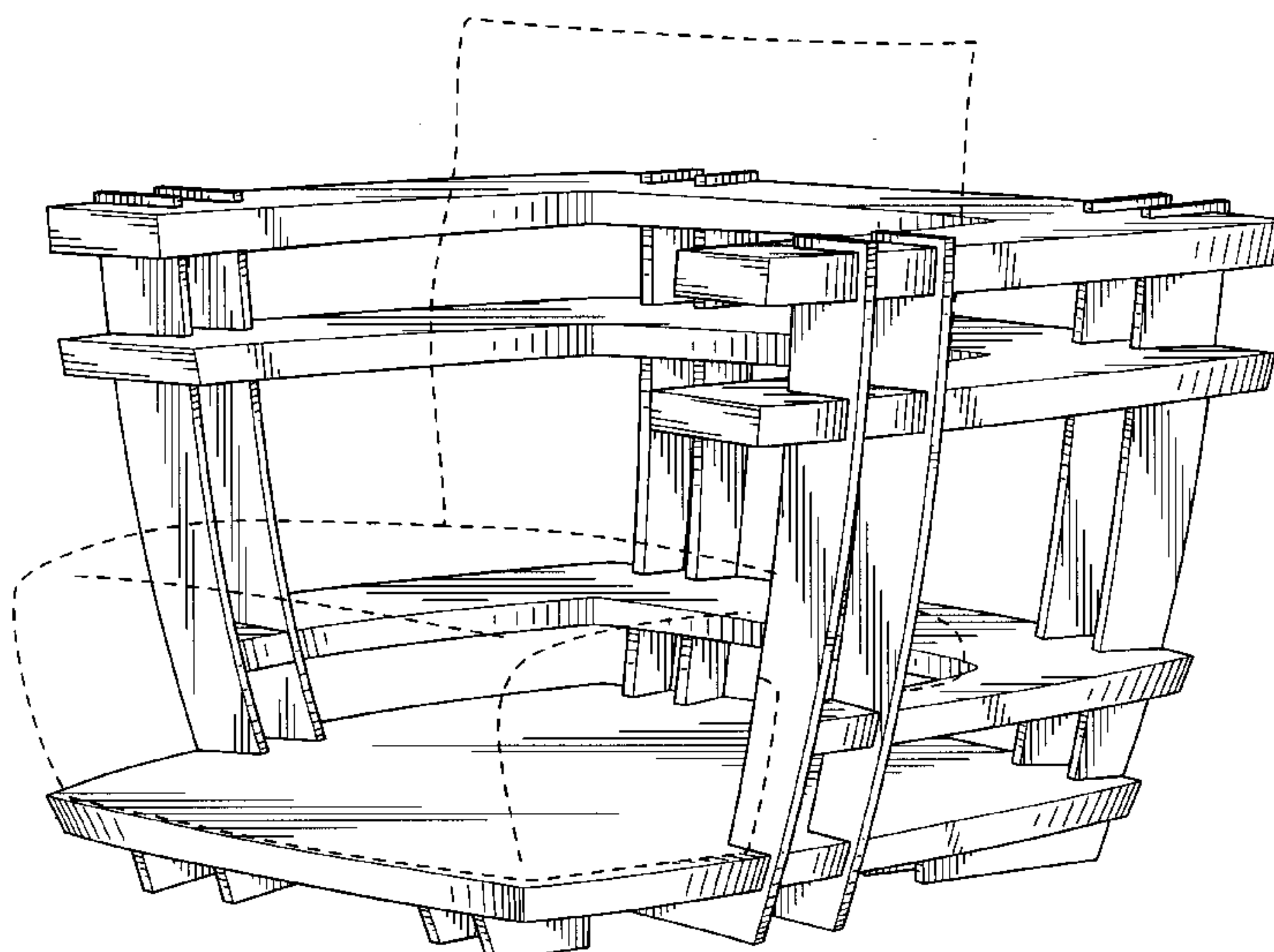
FIG. 3 is a front elevational view thereof;

FIG. 4 is a left side elevational view thereof, a right side elevational view being a mirror image thereof; and,

FIG. 5 is a rear elevational view thereof.

The broken lines in the figures are for illustrative purposes only and form no part of the claimed design.

1 Claim, 5 Drawing Sheets



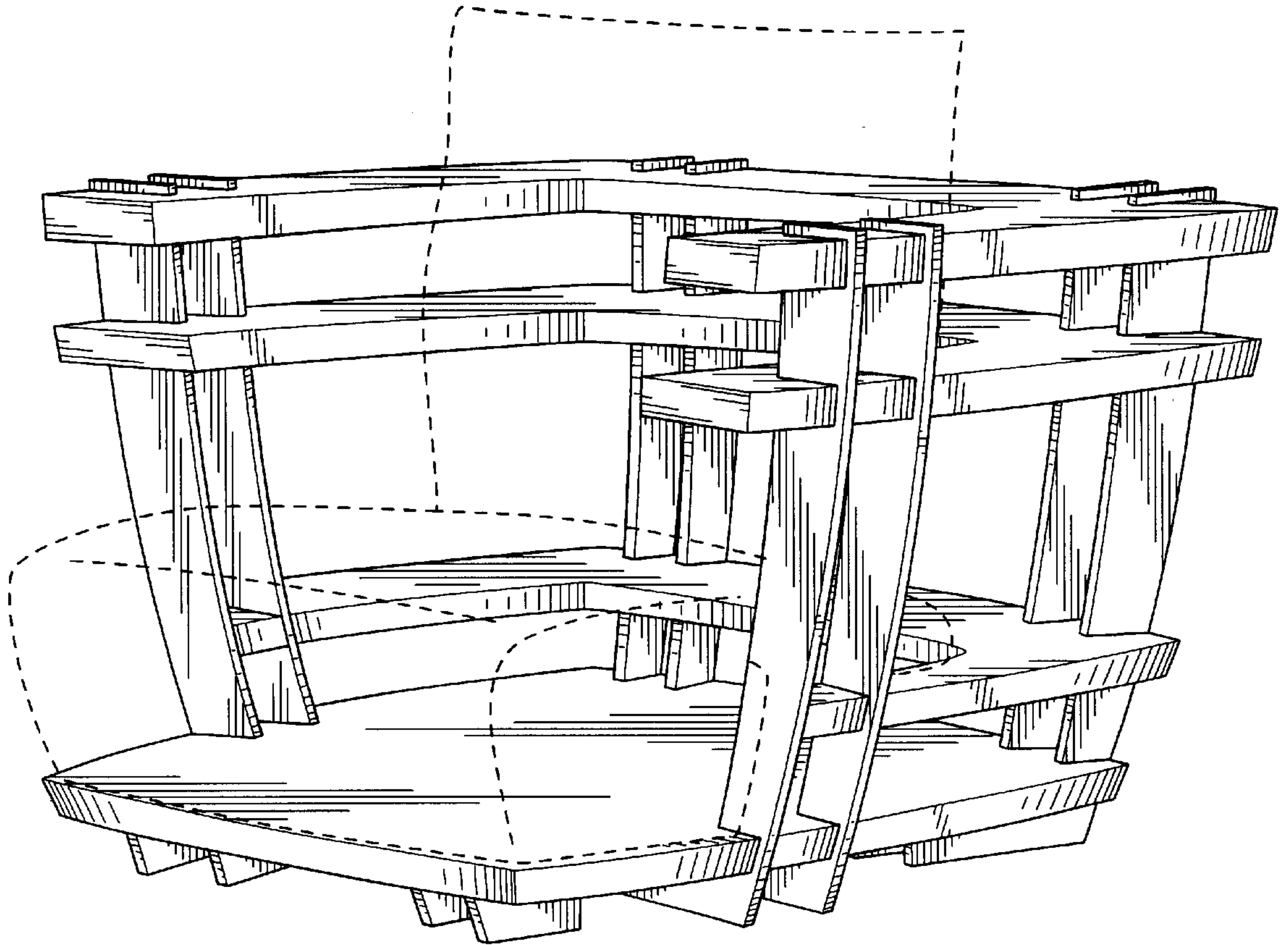


FIG. 1

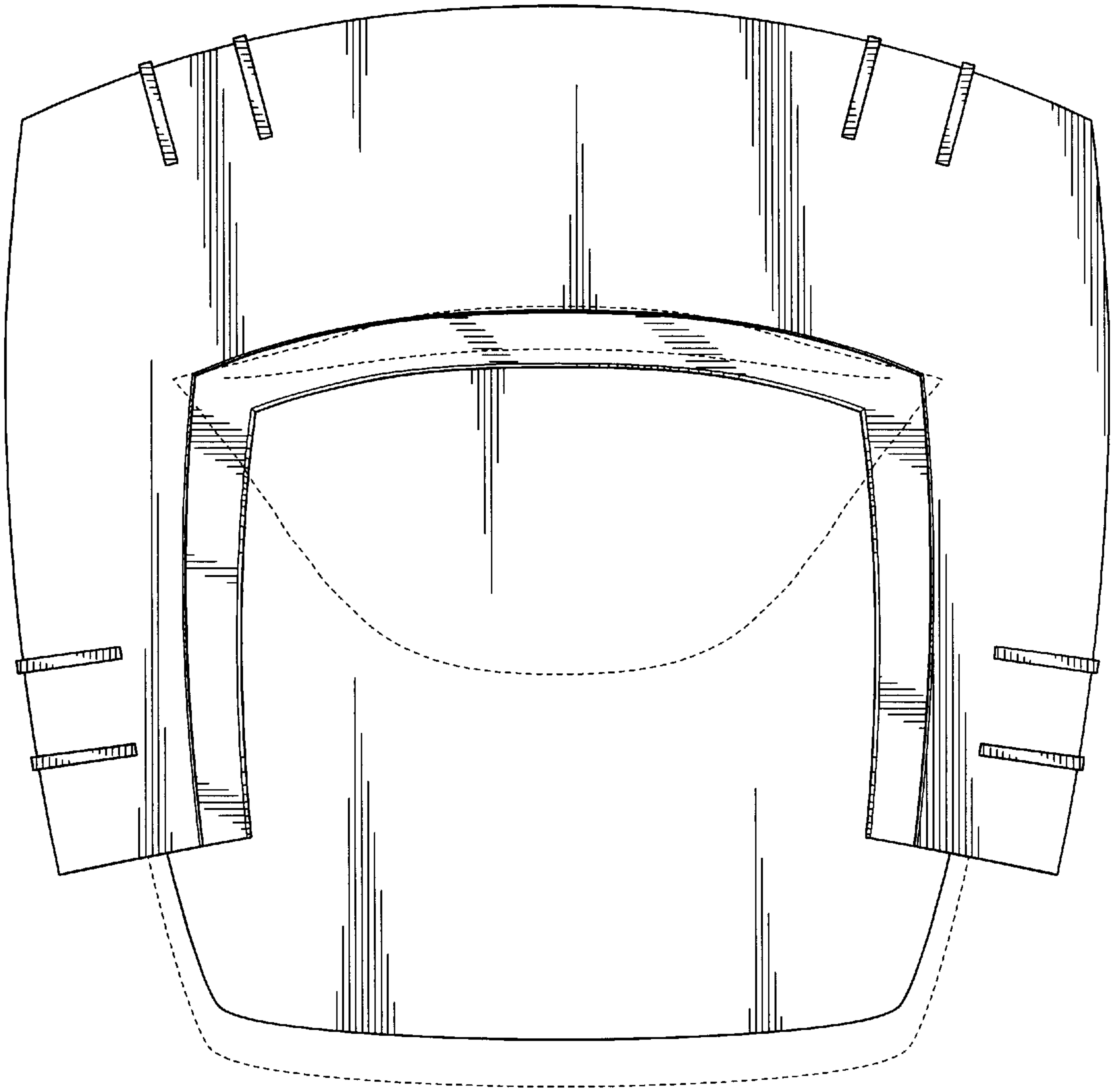


FIG. 2

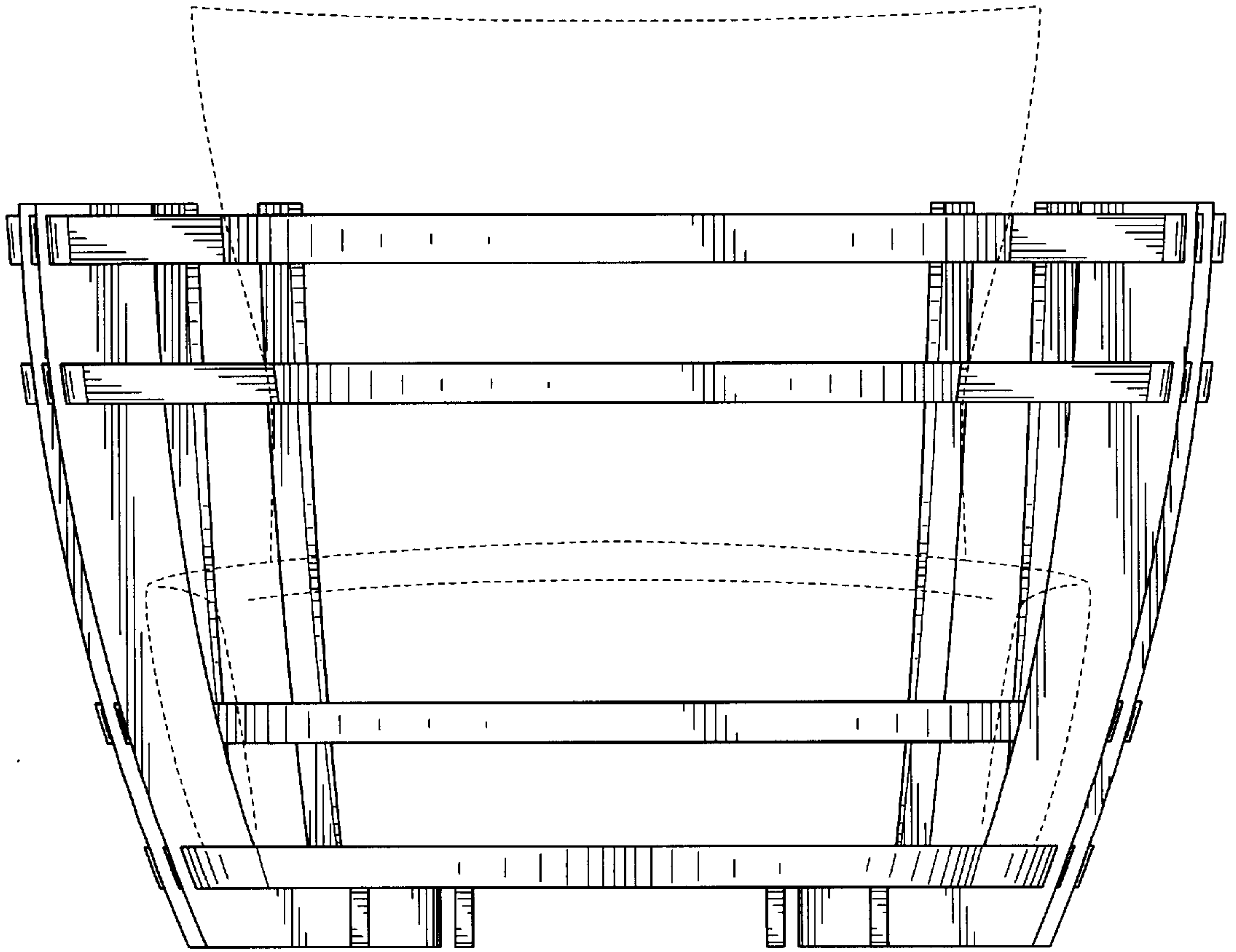


FIG. 3

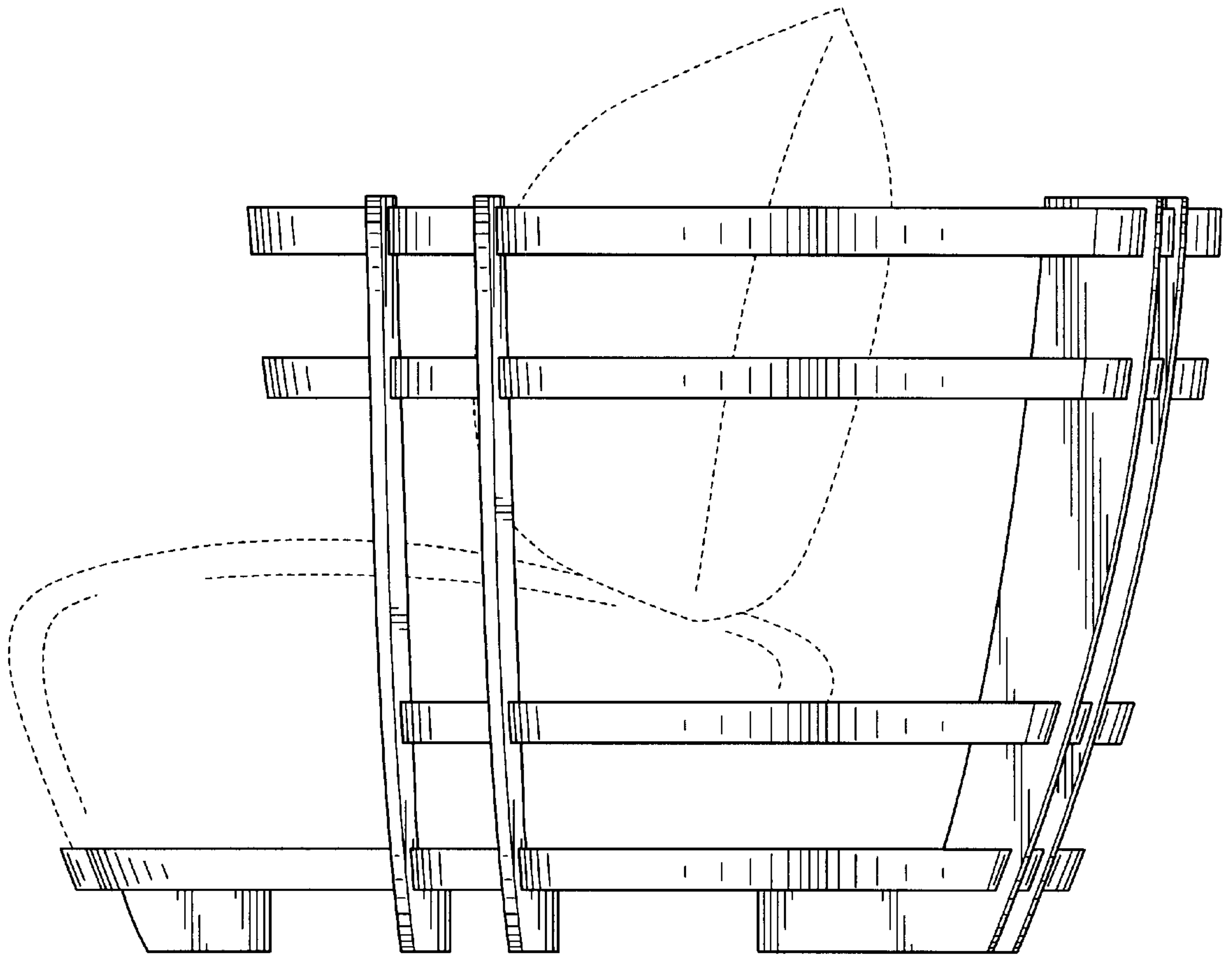


FIG. 4

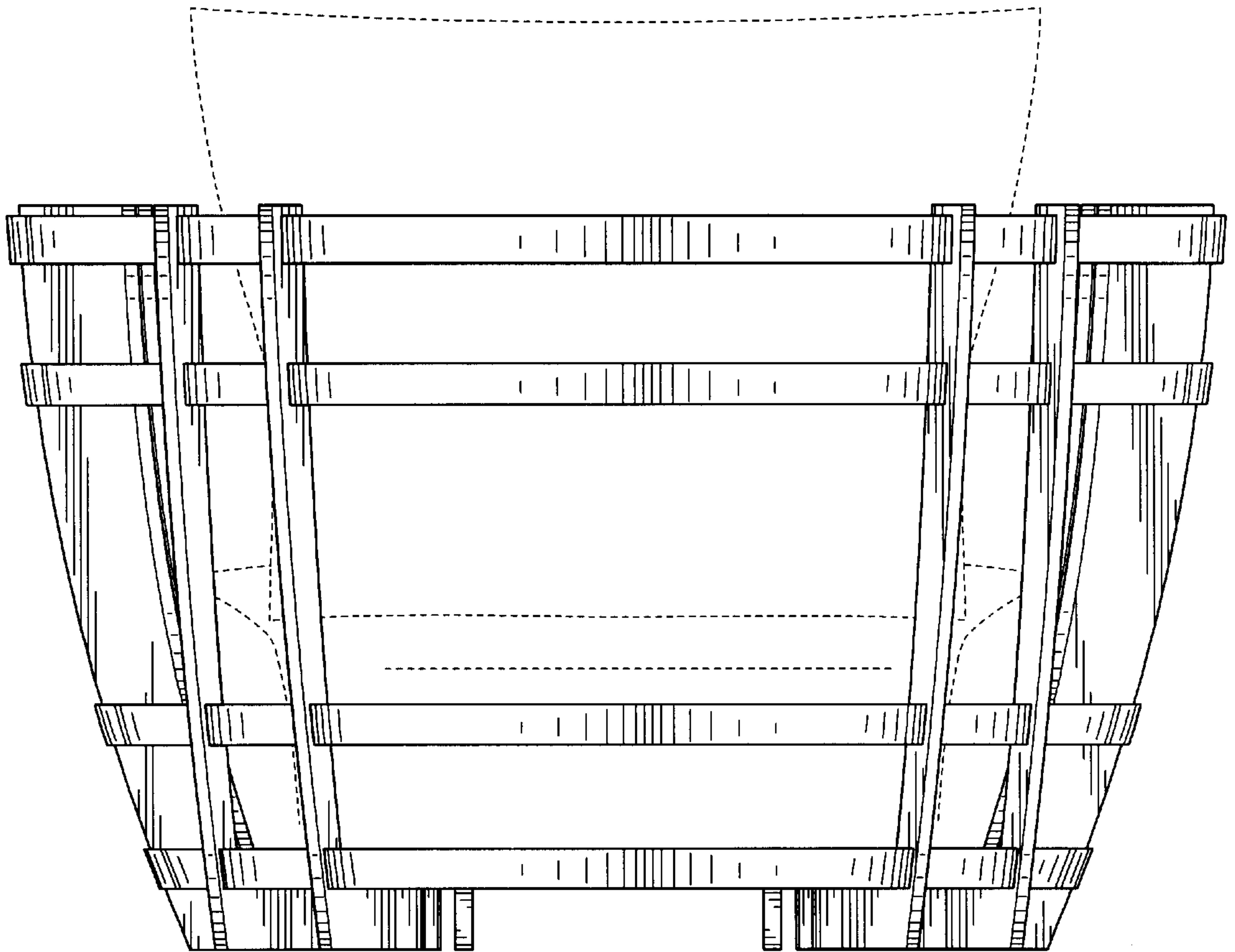


FIG. 5