



US00D486648S

(12) **United States Design Patent**  
**Fenton**

(10) **Patent No.:** **US D486,648 S**

(45) **Date of Patent:** **\*\* Feb. 17, 2004**

(54) **TELESCOPIC HANDLE**

(75) Inventor: **Timm J. Fenton**, Lebanon, NJ (US)

(73) Assignee: **Tumi, Inc.**, South Plainfield, NJ (US)

(\*\*) Term: **14 Years**

(21) Appl. No.: **29/176,479**

(22) Filed: **Feb. 24, 2003**

**Related U.S. Application Data**

(63) Continuation-in-part of application No. 29/167,498, filed on Sep. 16, 2002, now abandoned.

(51) **LOC (7) Cl.** ..... **03-99**

(52) **U.S. Cl.** ..... **D3/318**

(58) **Field of Search** ..... D3/216, 217, 238,  
D3/240, 242, 318, 323, 278, 279, 282;  
D8/300-307, 310, 319, 320; D34/24, 26;  
190/115, 18 A, 18 R, 119, 39; 224/153.578,  
579.629; 280/37, 40, 655; D16/113.1, 114.1,  
445

(56) **References Cited**

**U.S. PATENT DOCUMENTS**

626,332	A	*	6/1899	Mason	.....	16/113.1
D203,165	S	*	12/1965	Hurst, Jr.	.....	D8/319
D367,633	S	*	3/1996	Monette et al.	.....	D8/302 X
5,626,351	A	*	5/1997	Tsai	.....	280/40
5,680,676	A	*	10/1997	Spirk et al.	.....	16/422
D400,076	S	*	10/1998	Jancsek et al.	.....	D8/306
6,317,924	B1		11/2001	Gallagher	.....	16/114
6,434,790	B1		8/2002	Chen	.....	16/113
6,470,533	B1		10/2002	Comstock	.....	16/445
6,508,344	B1		1/2003	Lu	.....	190/115

**FOREIGN PATENT DOCUMENTS**

WO 0152687 7/2001

\* cited by examiner

*Primary Examiner*—Louis S. Zarfaz  
*Assistant Examiner*—Monica A. Weingart  
(74) *Attorney, Agent, or Firm*—Baker Botts L.L.P.

(57) **CLAIM**

The ornamental design for a telescopic handle, as shown and described.

**DESCRIPTION**

FIG. 1 is a front view of a telescopic handle according to my new design showing the handle in a first position;

FIG. 2 is a left side view of the telescopic handle of FIG. 1;

FIG. 3 is a right side view of the telescopic handle of FIG. 1;

FIG. 4 is a top view of the telescopic handle of FIG. 1

FIG. 5 is a front view of the telescopic handle of FIG. 1 showing the handle in a retracted position relative to a luggage item, illustrated in broken lines, and turned to the right;

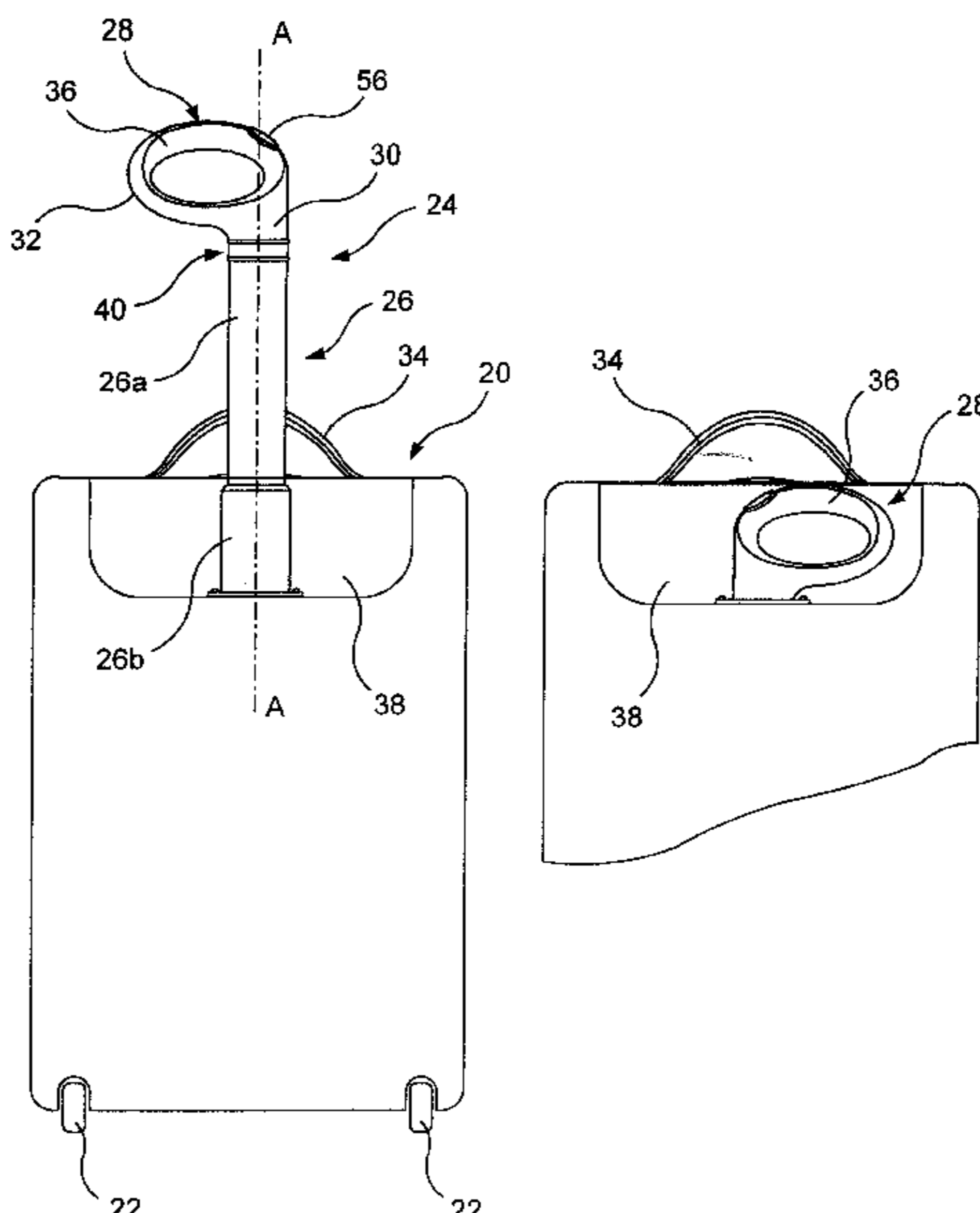
FIG. 6 is a front view of the telescopic handle of FIG. 1 showing the handle in an extended position relative to a luggage item, illustrated in broken lines, and turned to the right;

FIG. 7 is a top view of the telescopic handle of FIGS. 5 and 6;

FIG. 8 is a front view of the telescopic handle of FIG. 1 showing the handle in a retracted position relative to a luggage item, illustrated in broken lines, and turned to the left;

FIG. 9 is a front view of the telescopic handle of FIG. 1 showing the handle in an extended position relative to a luggage item, illustrated in broken lines, and turned to the left; and,

FIG. 10 is a top view of the telescopic handle of FIGS. 8 and 9.



**1 Claim, 4 Drawing Sheets**

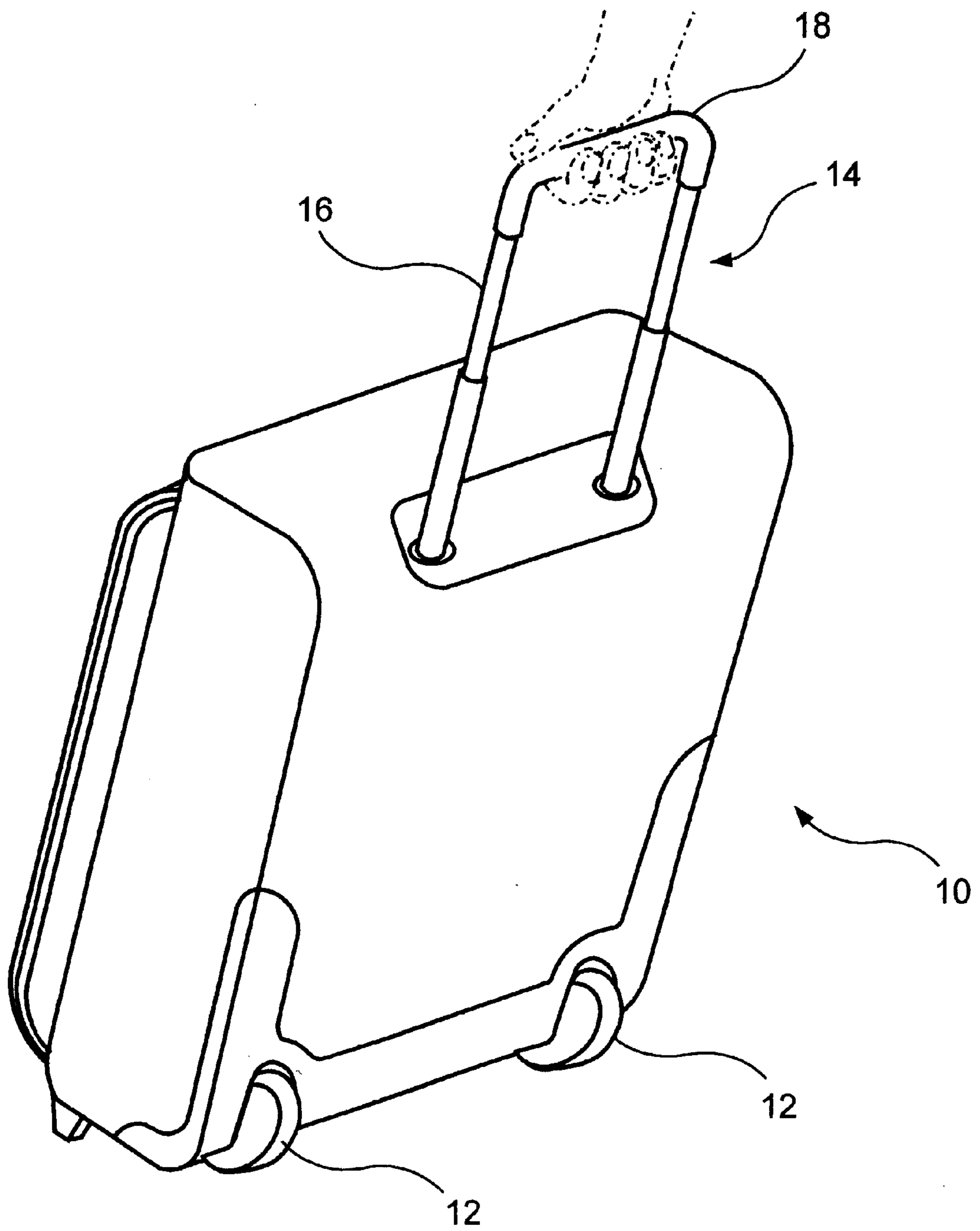


FIG. 1  
PRIOR ART

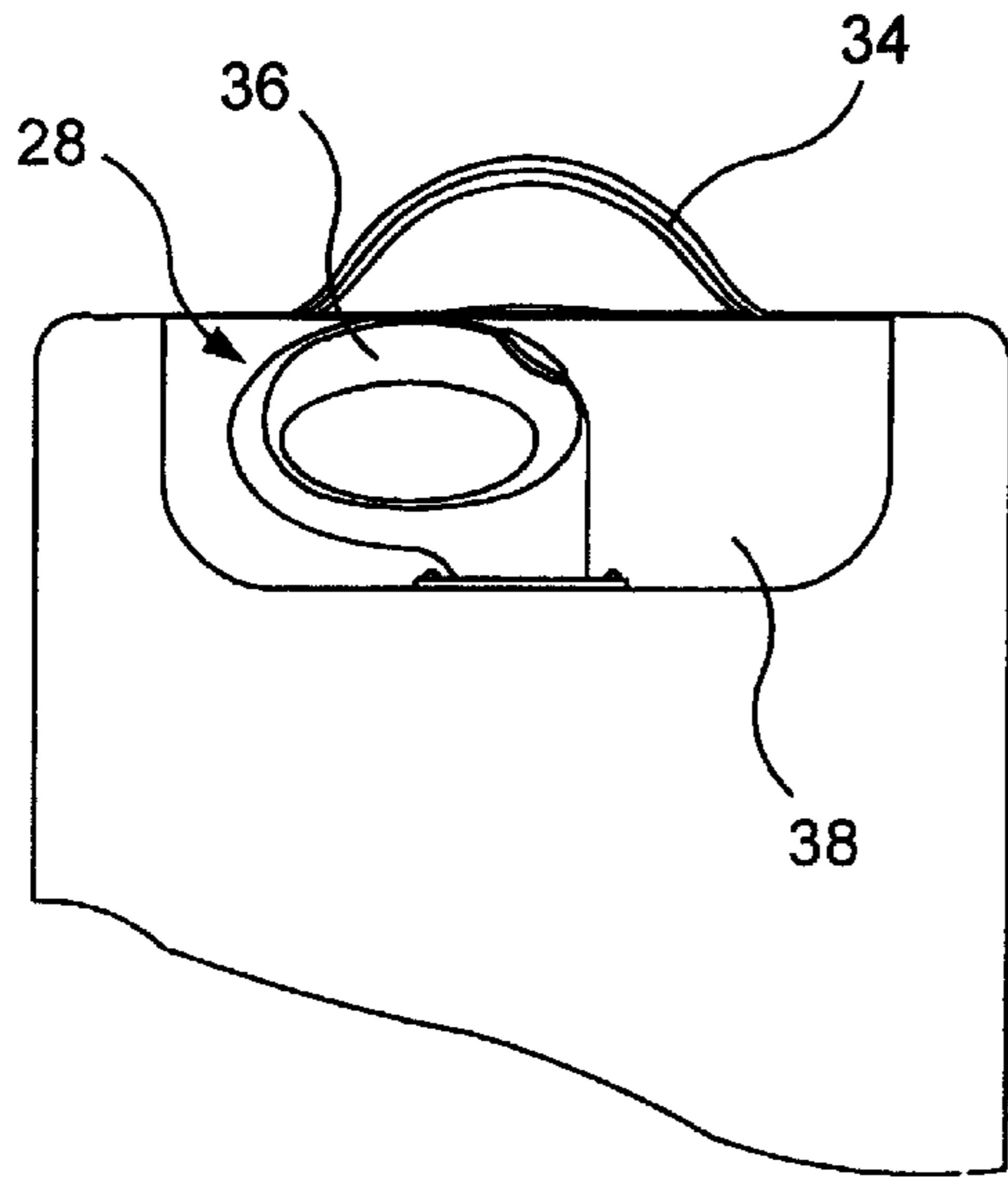


FIG. 3

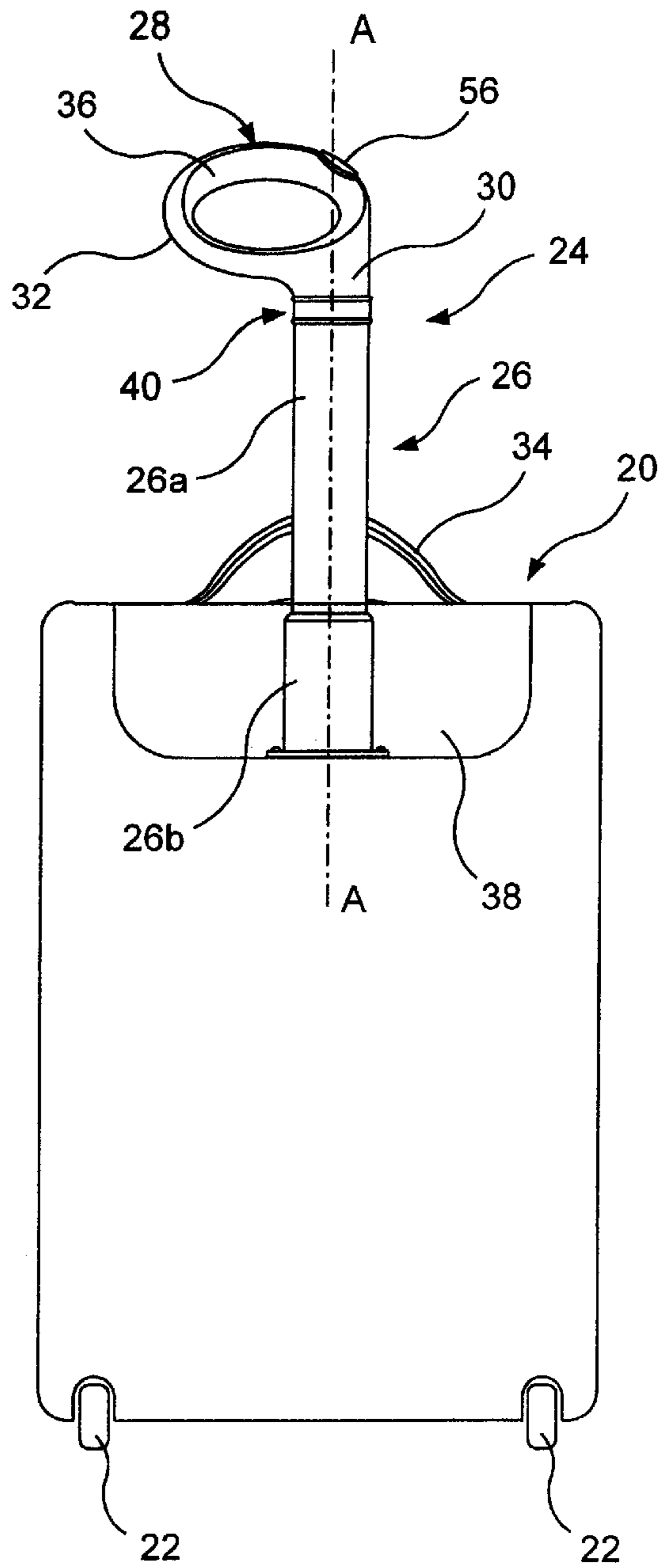


FIG. 2

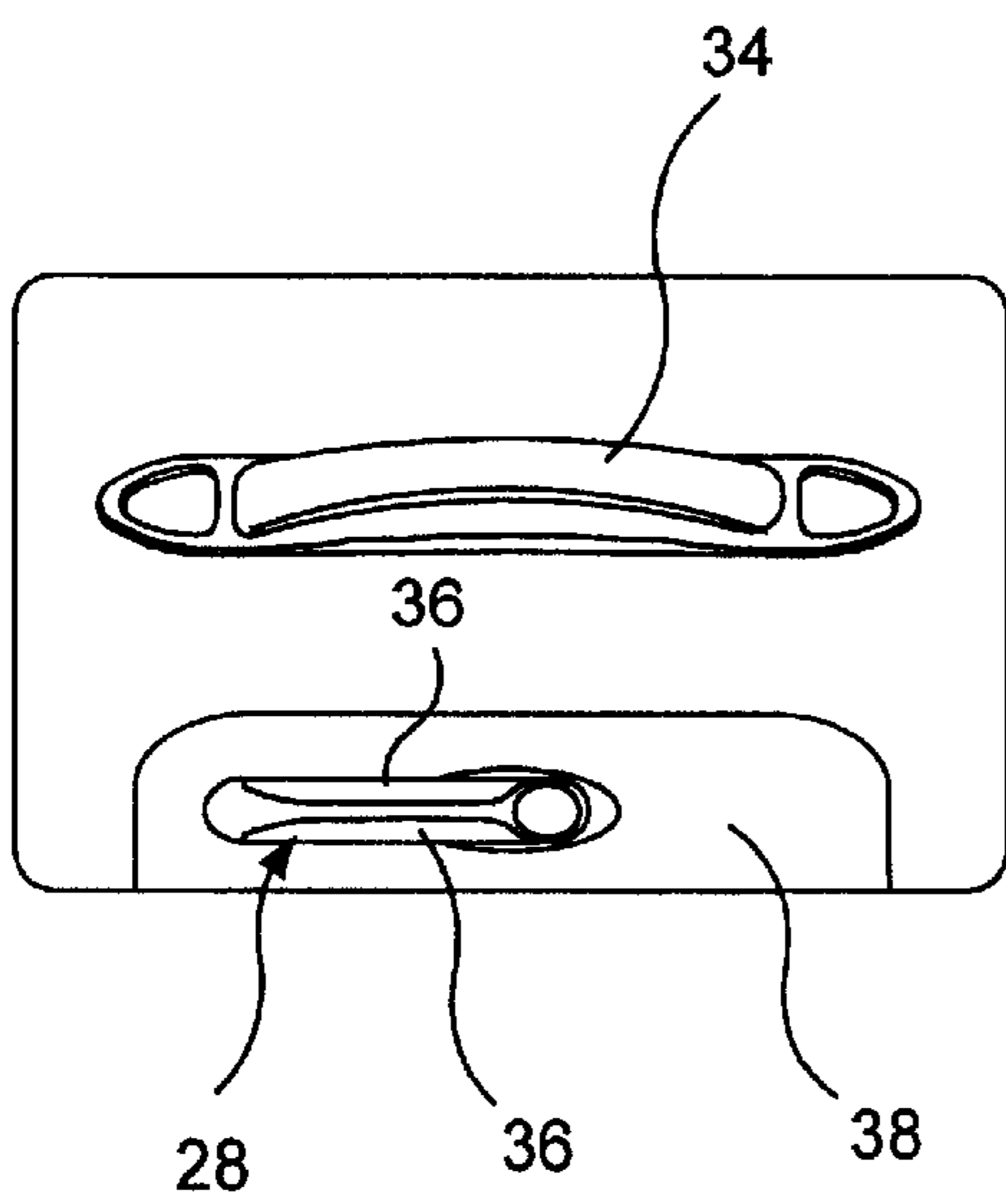


FIG. 4

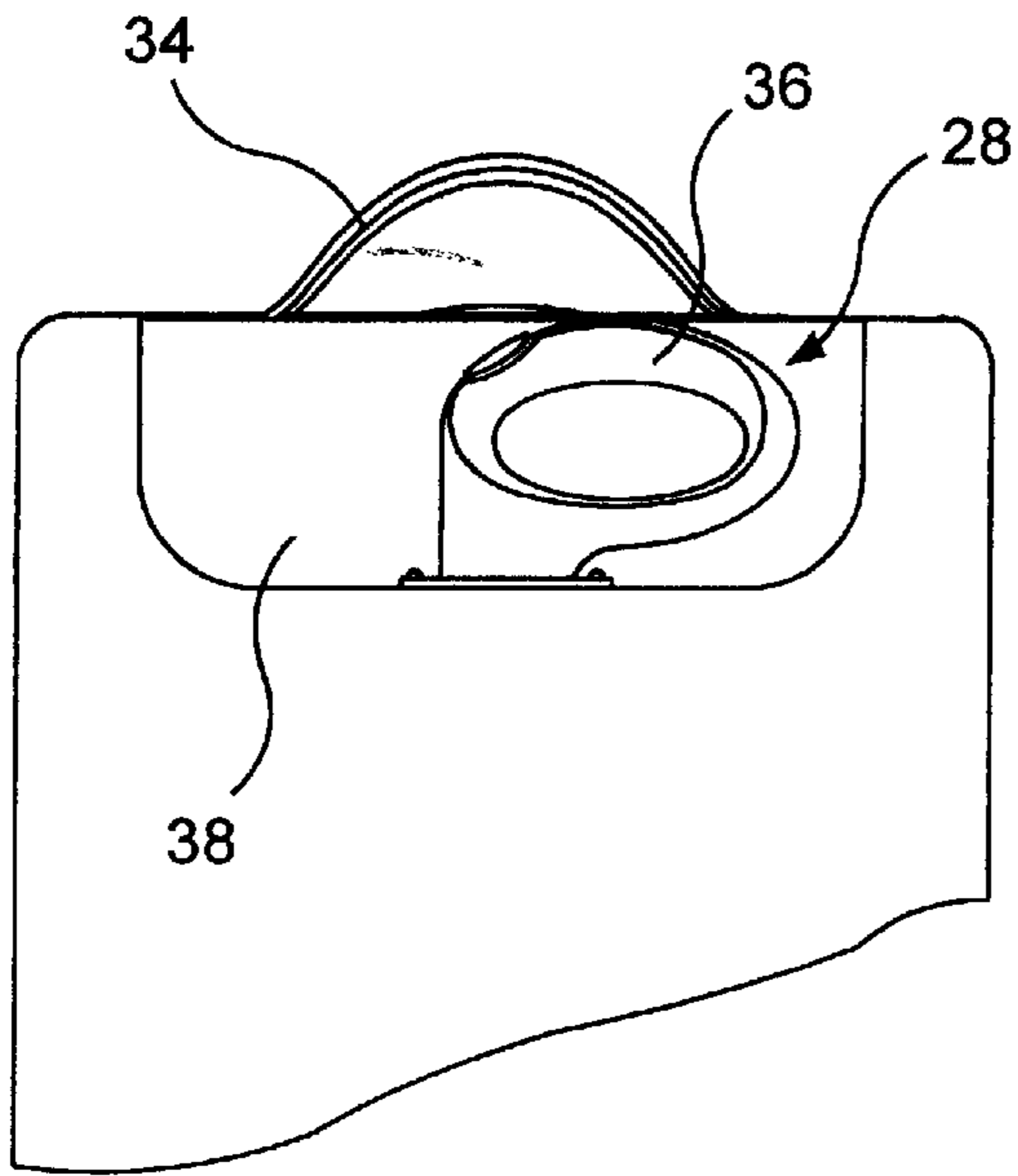


FIG. 6

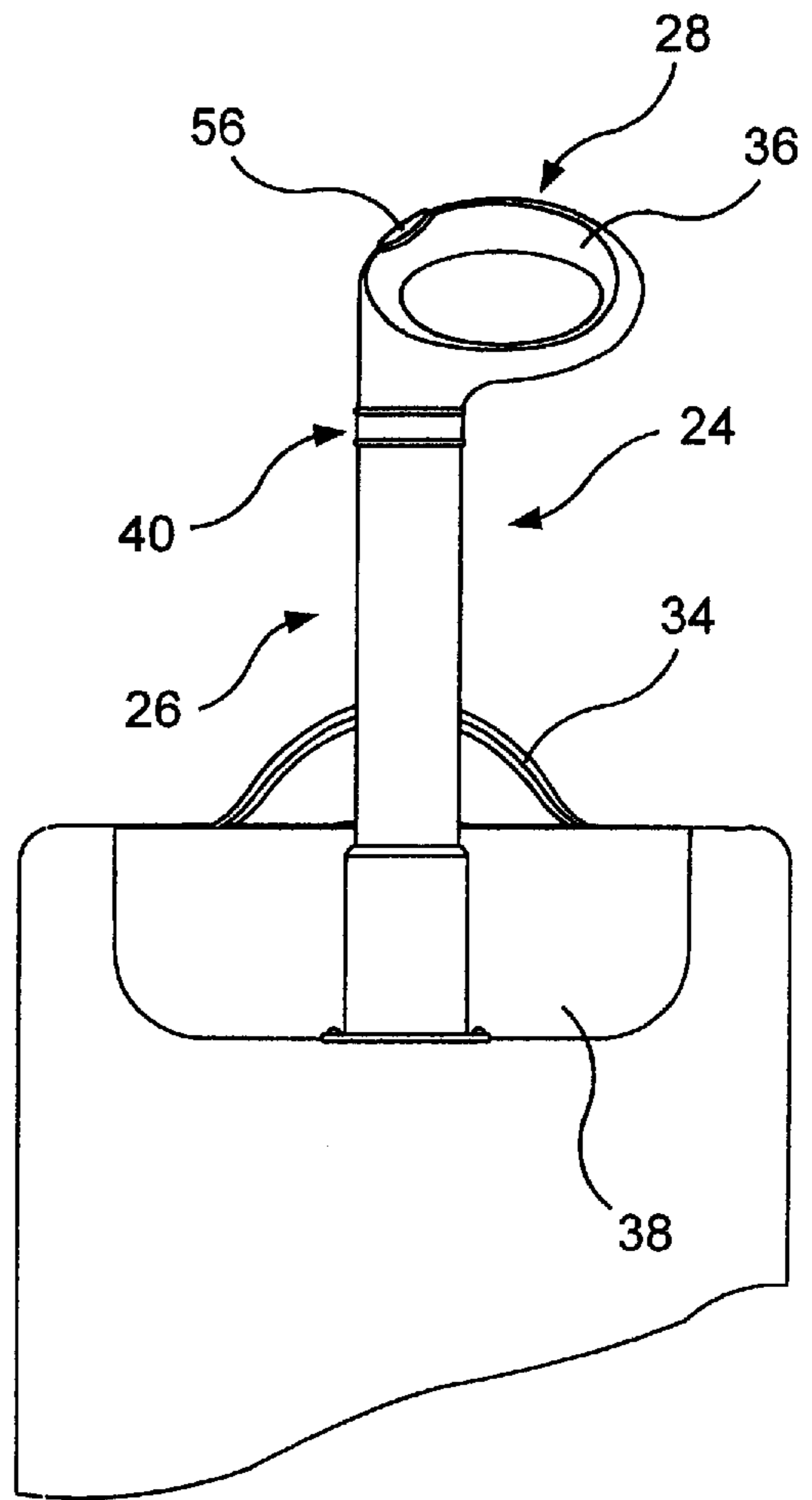


FIG. 5

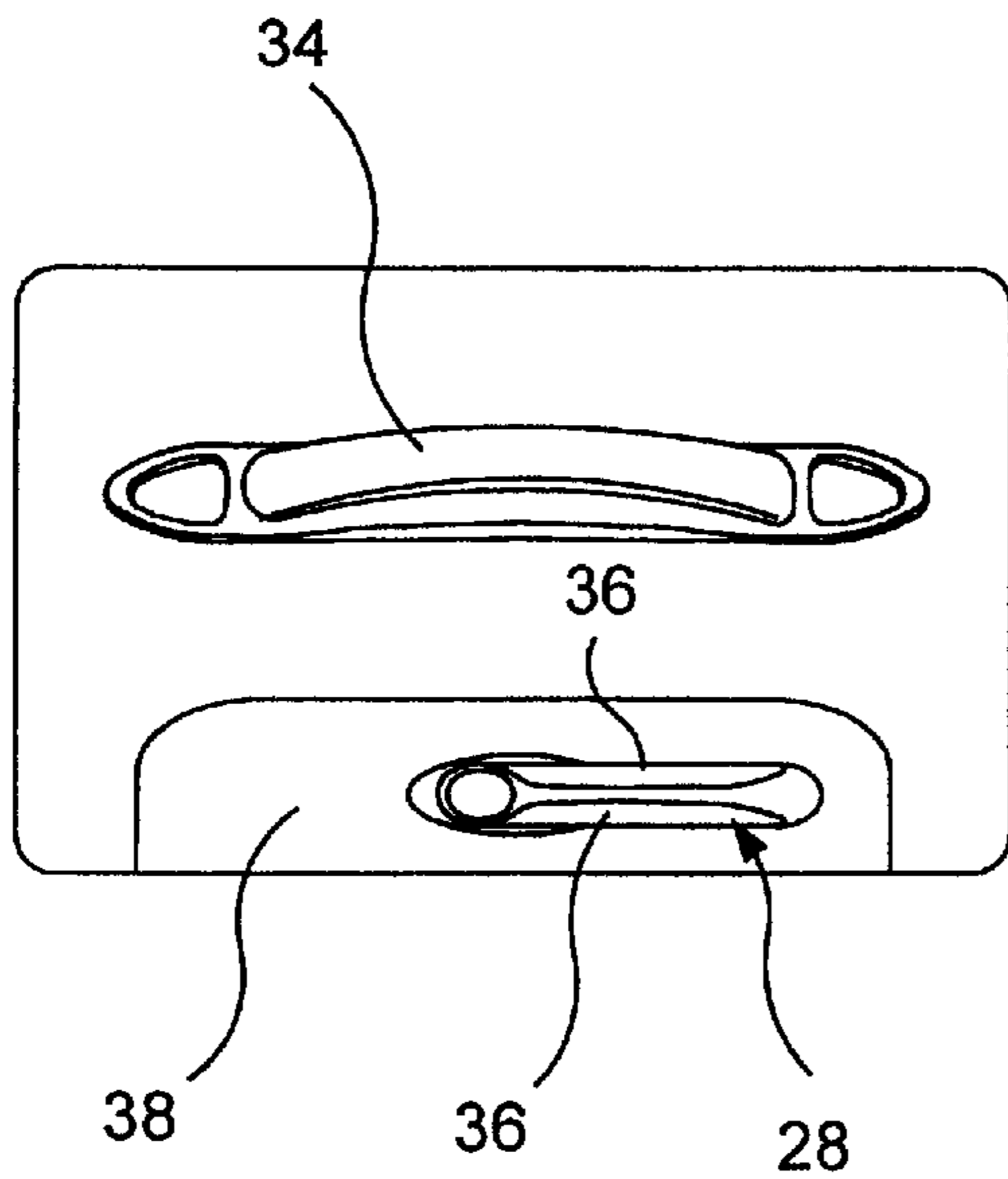


FIG. 7

