



US00D486643S

(12) **United States Design Patent**
Singh et al.

(10) **Patent No.:** **US D486,643 S**

(45) **Date of Patent:** **** Feb. 17, 2004**

(54) **TOOL CASE**

(75) Inventors: **Satnam Singh, Waterloo (CA); Jose Antonio Barrios, Waterloo (CA)**

(73) Assignee: **Maxtech Manufacturing Inc., Waterloo (CA)**

(**) Term: **14 Years**

(21) Appl. No.: **29/177,715**

(22) Filed: **Mar. 17, 2003**

(30) **Foreign Application Priority Data**

Dec. 18, 2002 (CA) 101620

(51) **LOC (7) Cl.** **03-01**

(52) **U.S. Cl.** **D3/282; D3/315**

(58) **Field of Search** **D3/273, 276, 281, D3/282, 294, 315; 206/349, 372, 373, 376, 377, 379; 211/70.6**

(56) **References Cited**

U.S. PATENT DOCUMENTS

5,346,063 A * 9/1994 Chow 206/376
D355,826 S * 2/1995 Chow D3/315
D365,681 S * 1/1996 Chow D3/315
5,730,303 A * 3/1998 Chow 211/70.6
D412,617 S * 8/1999 Kopala, Jr. D3/315

5,938,028 A * 8/1999 Hu 206/377
5,967,340 A * 10/1999 Kao 211/70.6
5,988,382 A * 11/1999 Ritchie et al. 206/372
D427,435 S * 7/2000 Gibson et al. D3/282

* cited by examiner

Primary Examiner—Philip S. Hyder

(74) *Attorney, Agent, or Firm*—R. Craig Armstrong; Borden Ladner Gervais LLP

(57) **CLAIM**

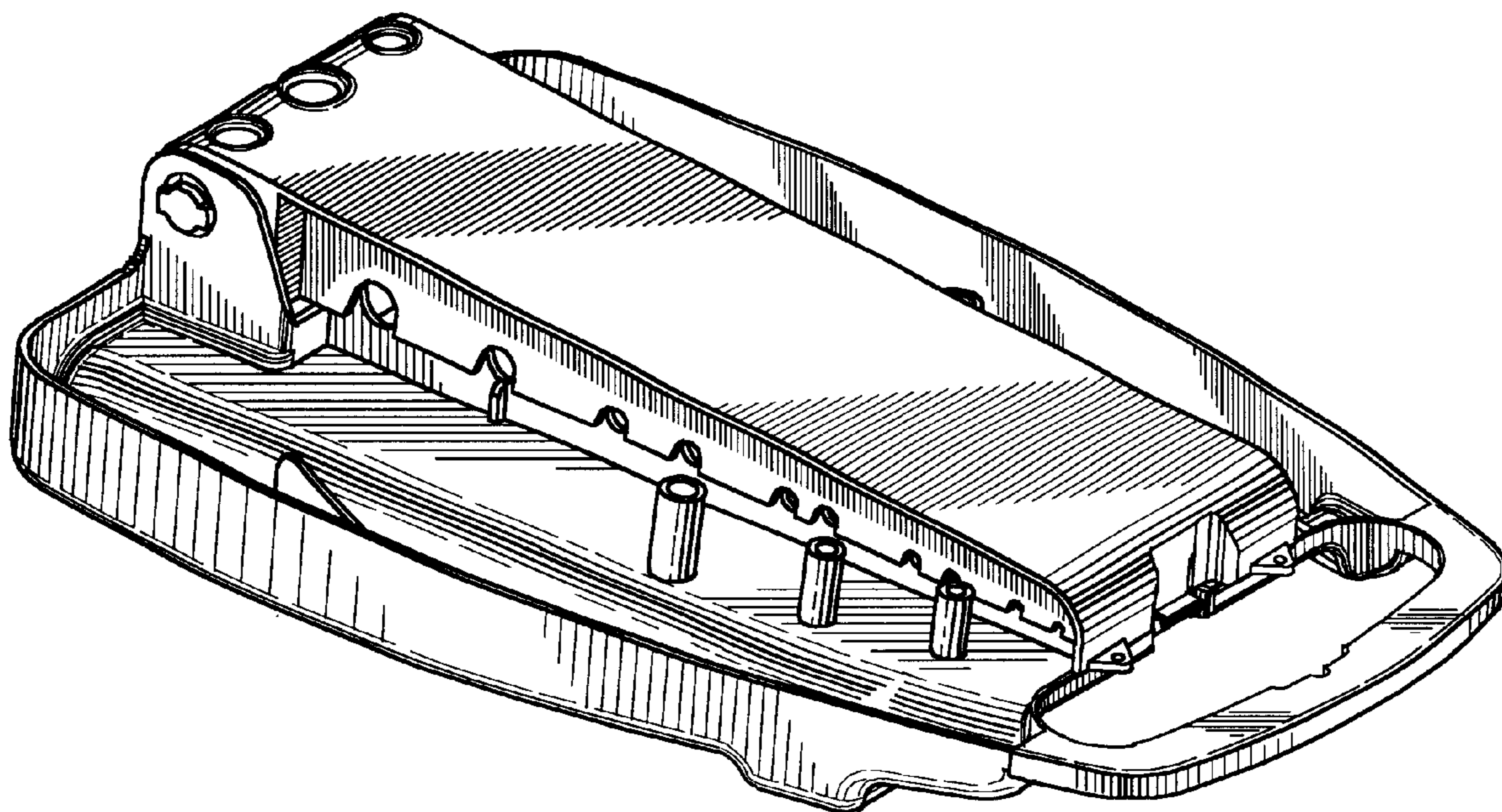
We claim the ornamental design for a tool case, as shown and described.

DESCRIPTION

FIG. 1 is a perspective view of the front of the tool case; FIG. 2 is a perspective view of the rear of the tool case; FIG. 3 is an end view of the tool case; FIG. 4 is a front view of the tool case; FIG. 5 is a right side view of the tool case; FIG. 6 is a rear view of the tool case; FIG. 7 is a left side view of the tool case; FIG. 8 is a bottom view of the tool case; and, FIG. 9 is a perspective view of the tool case in an open position.

The broken line showing of the tools in FIG. 9 is for illustrative purposes only and forms no part of the claimed design.

1 Claim, 4 Drawing Sheets



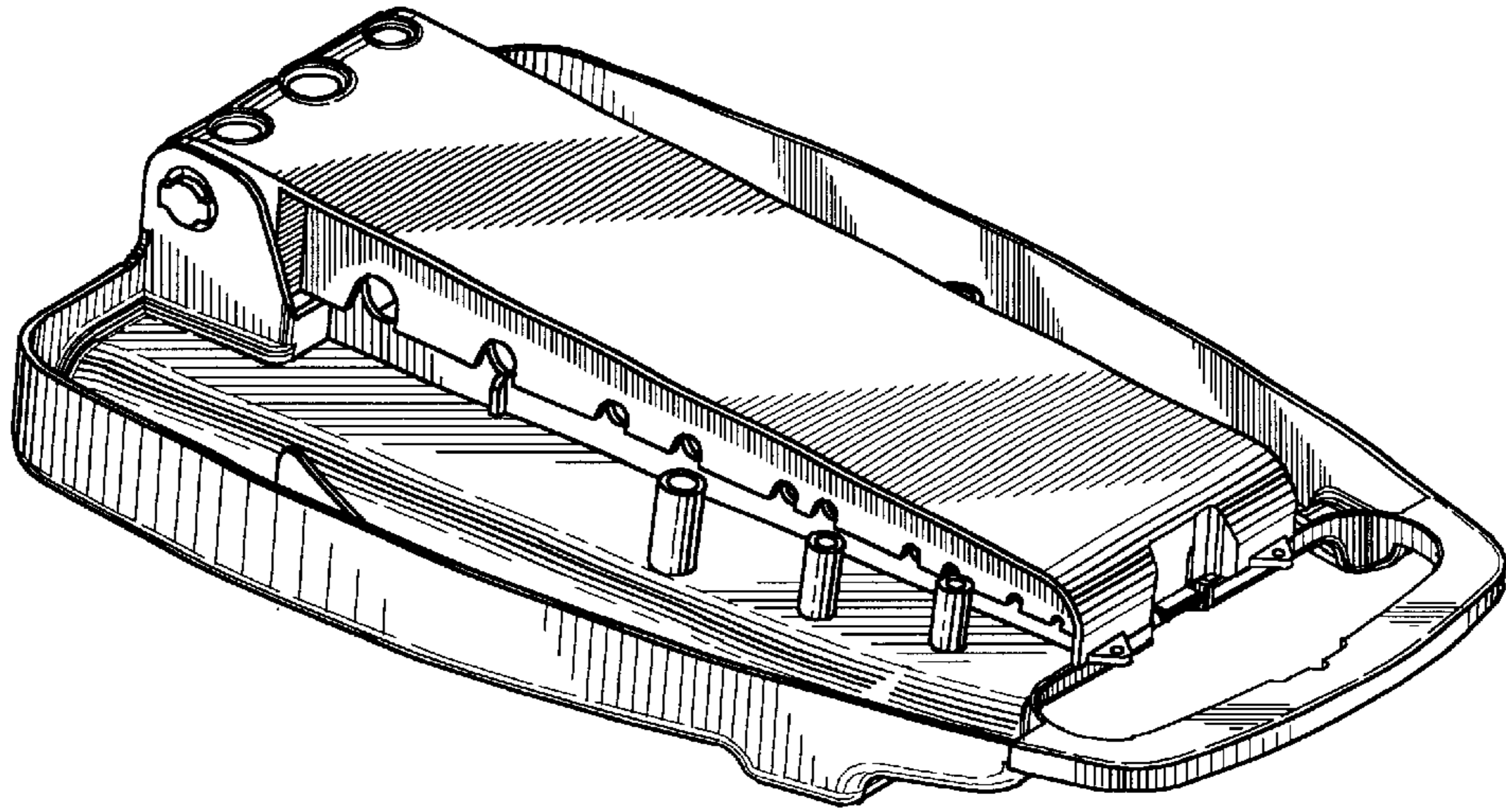


FIG. 1

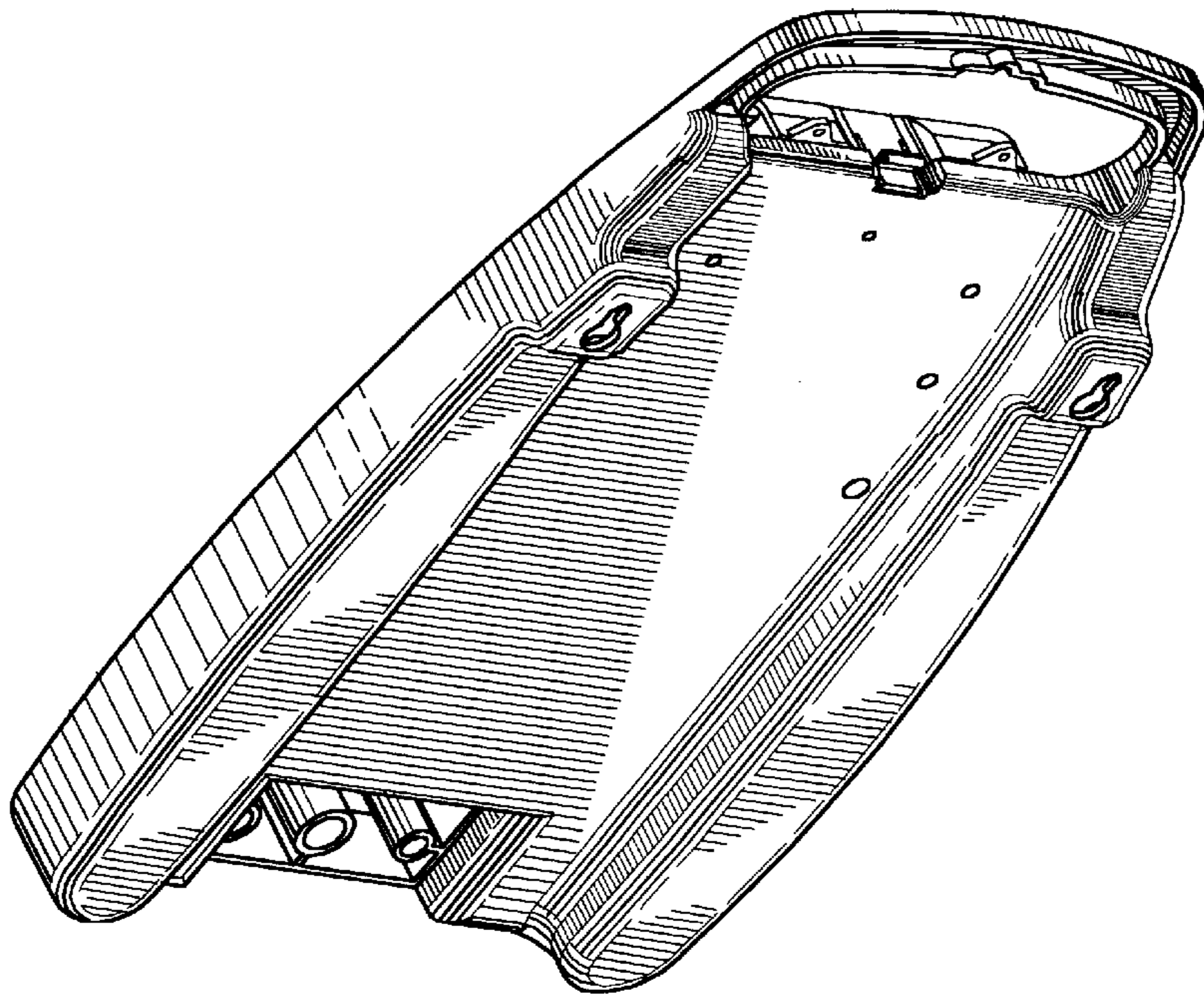


FIG. 2

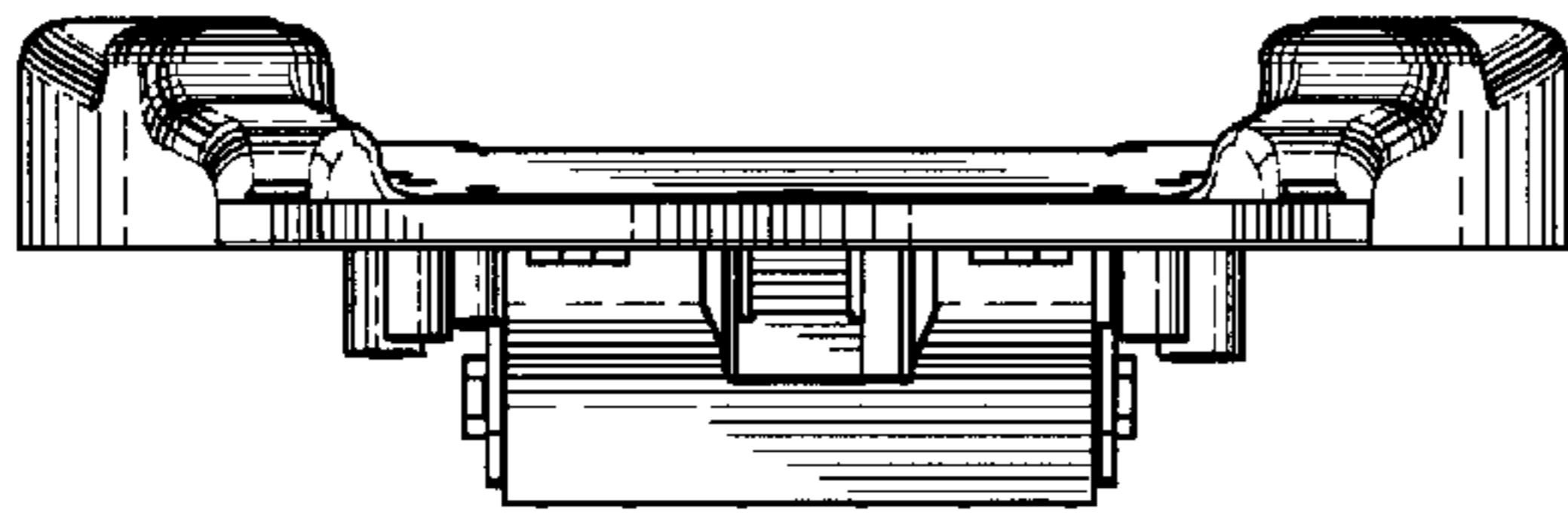


FIG.3

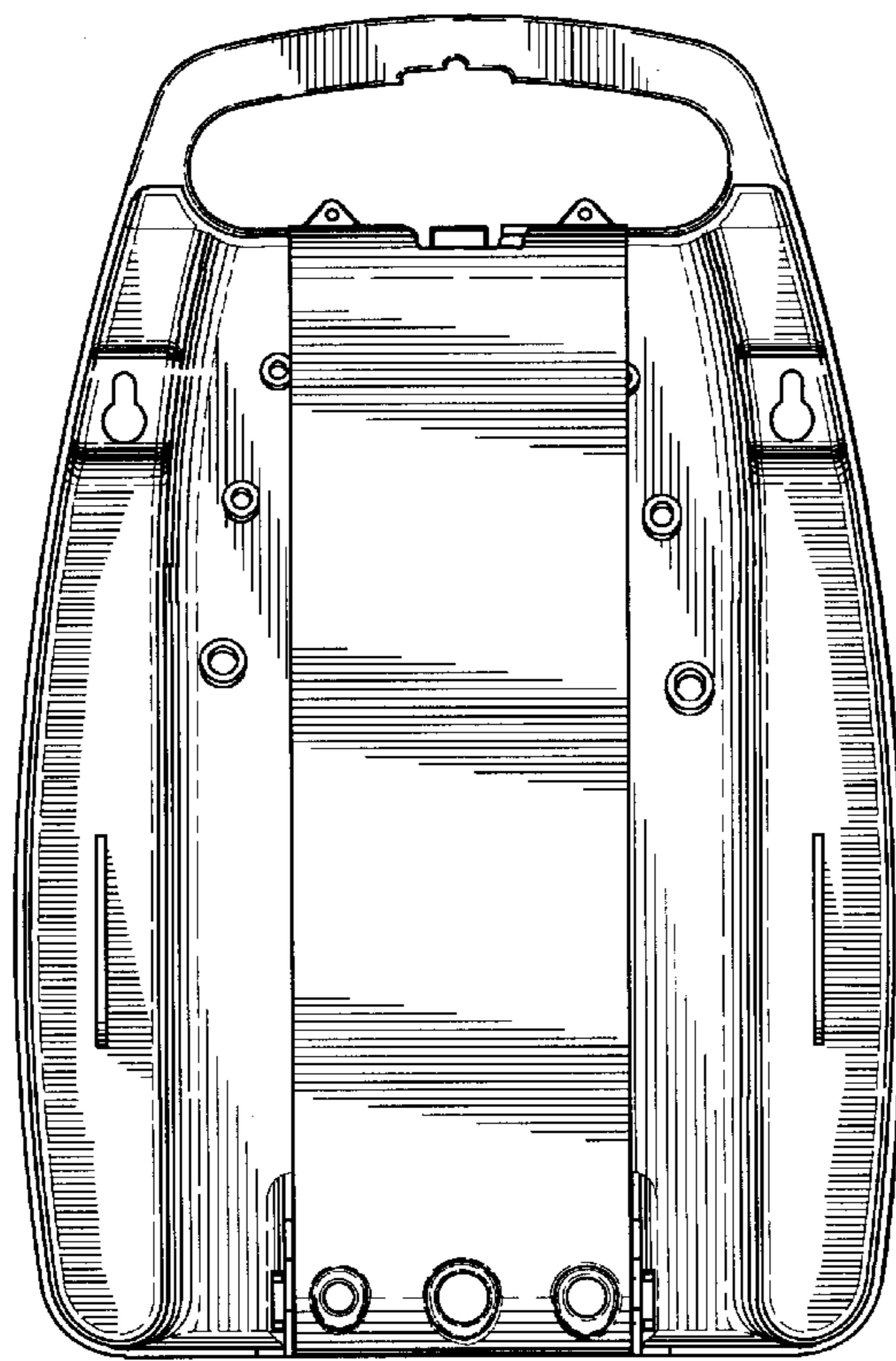


FIG.4

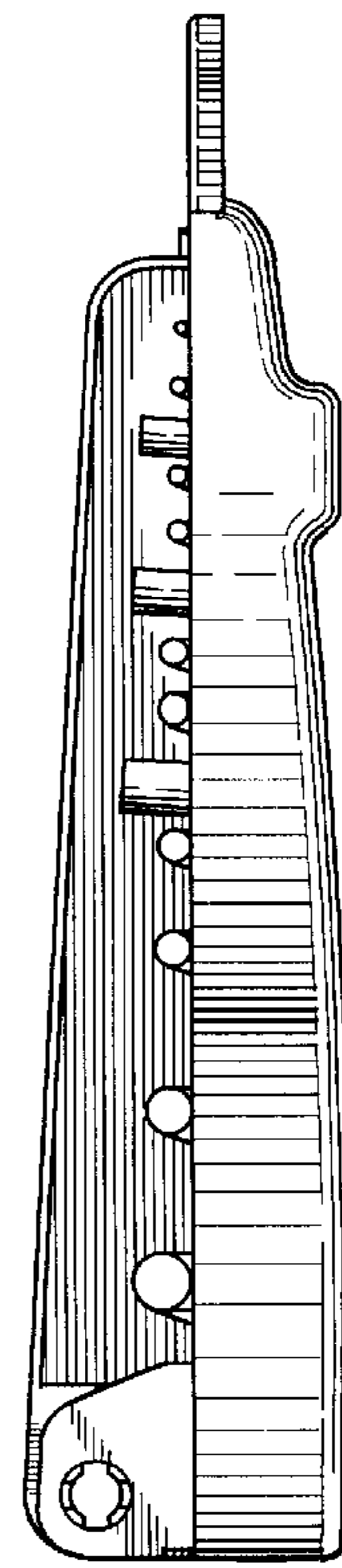


FIG.5

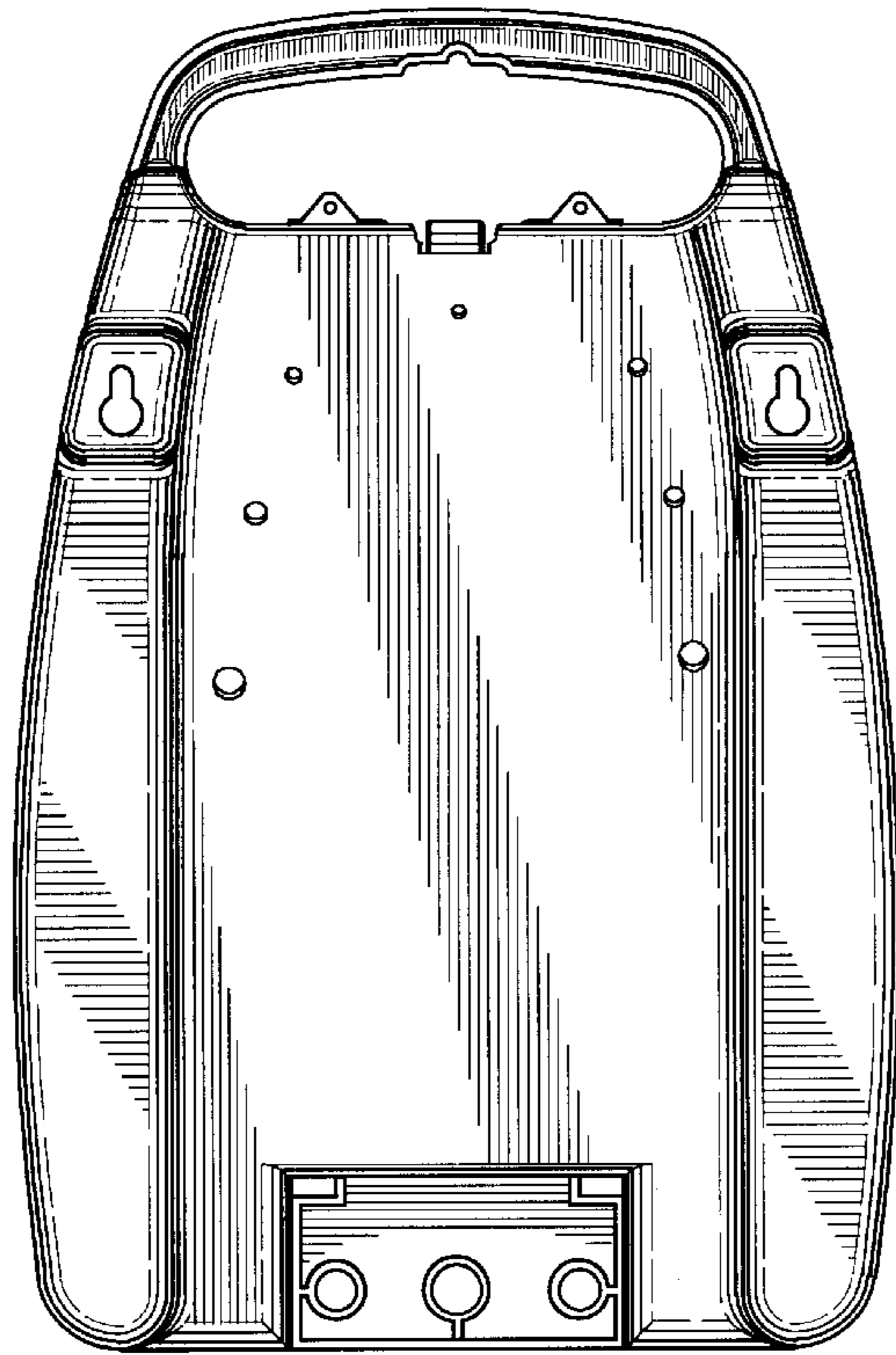


FIG. 6

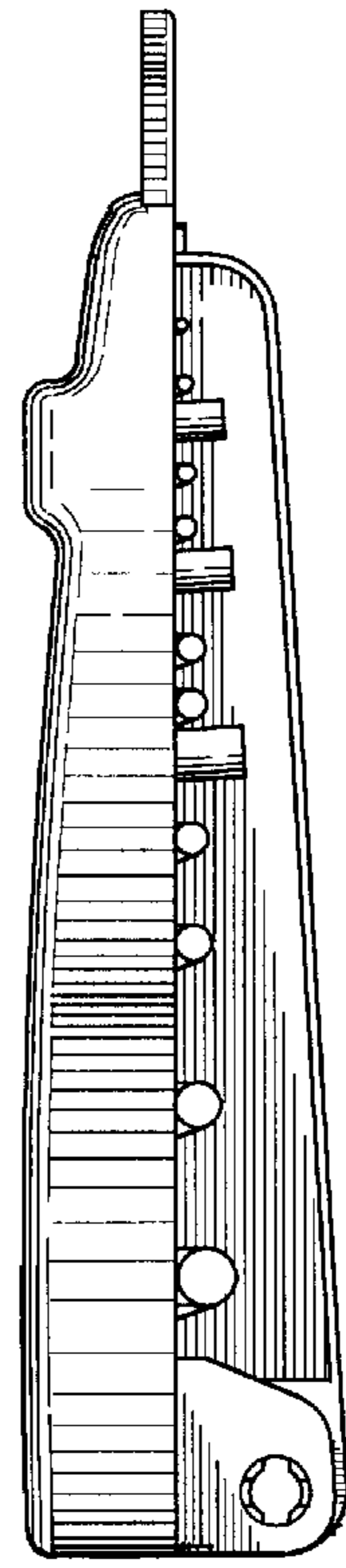


FIG. 7

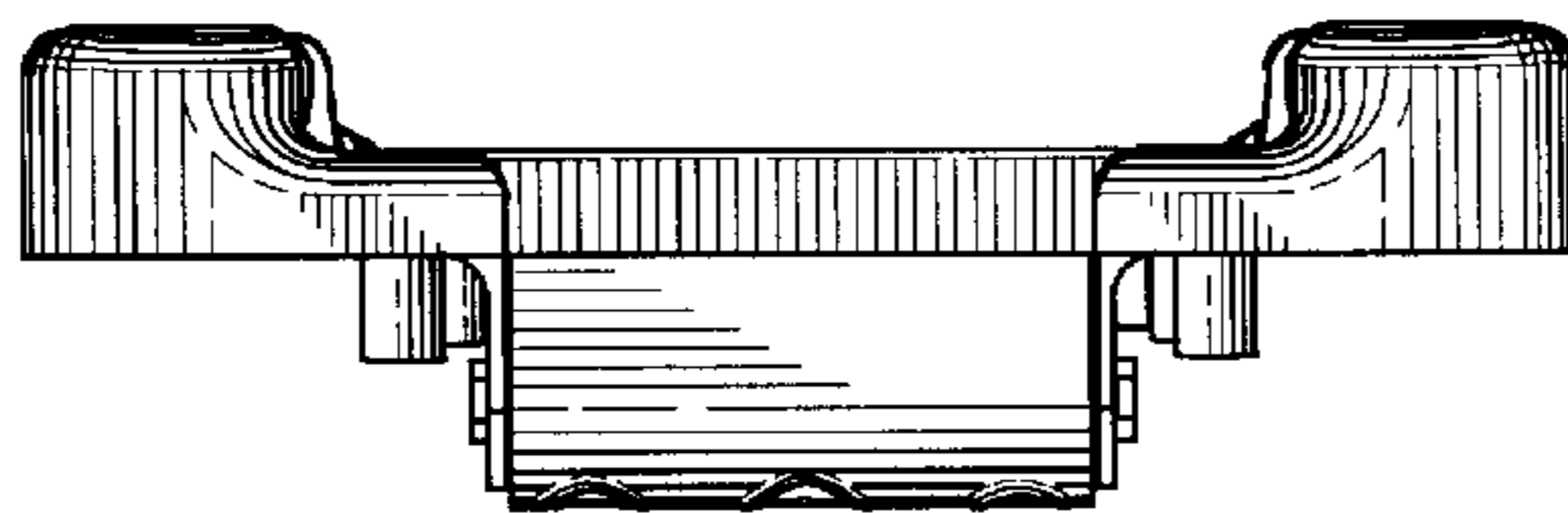


FIG. 8

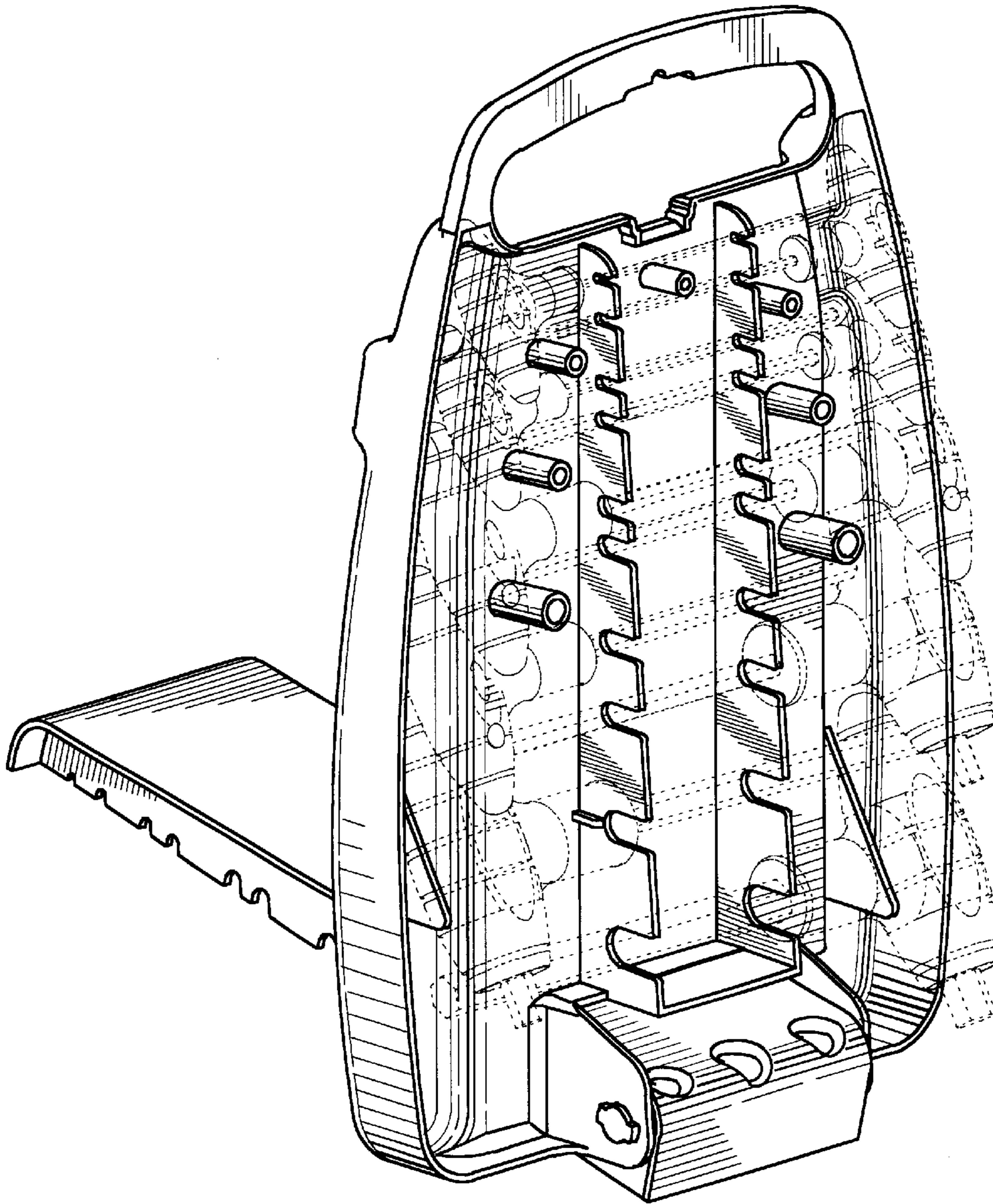


FIG.9