



US00D486635S

(12) **United States Design Patent**
Yagisawa

(10) **Patent No.:** **US D486,635 S**

(45) **Date of Patent:** **** Feb. 17, 2004**

(54) **BABY HOLDER**

(75) Inventor: **Makoto Yagisawa, Tokyo (JP)**

(73) Assignee: **Nihon Eitekkusu Kabushikikaisha, Eightex Inc., Tokyo (JP)**

(**) Term: **14 Years**

(21) Appl. No.: **29/174,122**

(22) Filed: **Jan. 13, 2003**

(30) **Foreign Application Priority Data**

Aug. 27, 2002 (JP) 2002-022900

(51) **LOC (7) Cl.** **03-99**

(52) **U.S. Cl.** **D3/213; D3/214**

(58) **Field of Search** D2/719, 828-831;
2/84, 85, 94, 95, 102, 108; D3/213, 214;
5/94, 98.3; 224/158-161, 577-579

(56) **References Cited**

U.S. PATENT DOCUMENTS

4,009,808 A	*	3/1977	Sharp	224/160
D253,558 S	*	12/1979	Carter	D3/214
4,402,440 A	*	9/1983	Purtzer et al.	224/160
4,436,233 A	*	3/1984	Hill et al.	224/159
4,467,945 A	*	8/1984	Schaapveld	224/160
4,579,264 A	*	4/1986	Napolitano	224/160
D334,659 S	*	4/1993	Yamaguchi et al.	D3/214
5,205,450 A	*	4/1993	Derosier	224/161
5,205,451 A	*	4/1993	Manzer	224/161
D357,800 S	*	5/1995	Roan et al.	D3/214
D377,116 S	*	1/1997	Shimura et al.	D3/214
D385,105 S	*	10/1997	Fair	D3/214

5,678,739 A	*	10/1997	Darling et al.	224/160
D394,546 S	*	5/1998	Svendsen et al.	D3/214
5,813,580 A	*	9/1998	Fair	224/160
D409,373 S	*	5/1999	Fair et al.	D3/213
D425,696 S	*	5/2000	Swanke	D3/213
D437,996 S	*	2/2001	Fair et al.	D3/214
D453,066 S	*	1/2002	Norman	D3/214
2002/0011503 A1	*	1/2002	Hwang	224/160
2002/0130148 A1	*	9/2002	Yann	224/160

FOREIGN PATENT DOCUMENTS

JP	8-242980	9/1996
JP	3079903	6/2001

* cited by examiner

Primary Examiner—Celia Murphy

(74) *Attorney, Agent, or Firm*—Wenderoth, Lind & Ponack, L.L.P.

(57) **CLAIM**

The ornamental design for a baby holder, as shown.

DESCRIPTION

FIG. 1 is a front perspective view of a baby holder to the design of the present invention.

FIG. 2 is a front elevational view of the baby holder of FIG. 1.

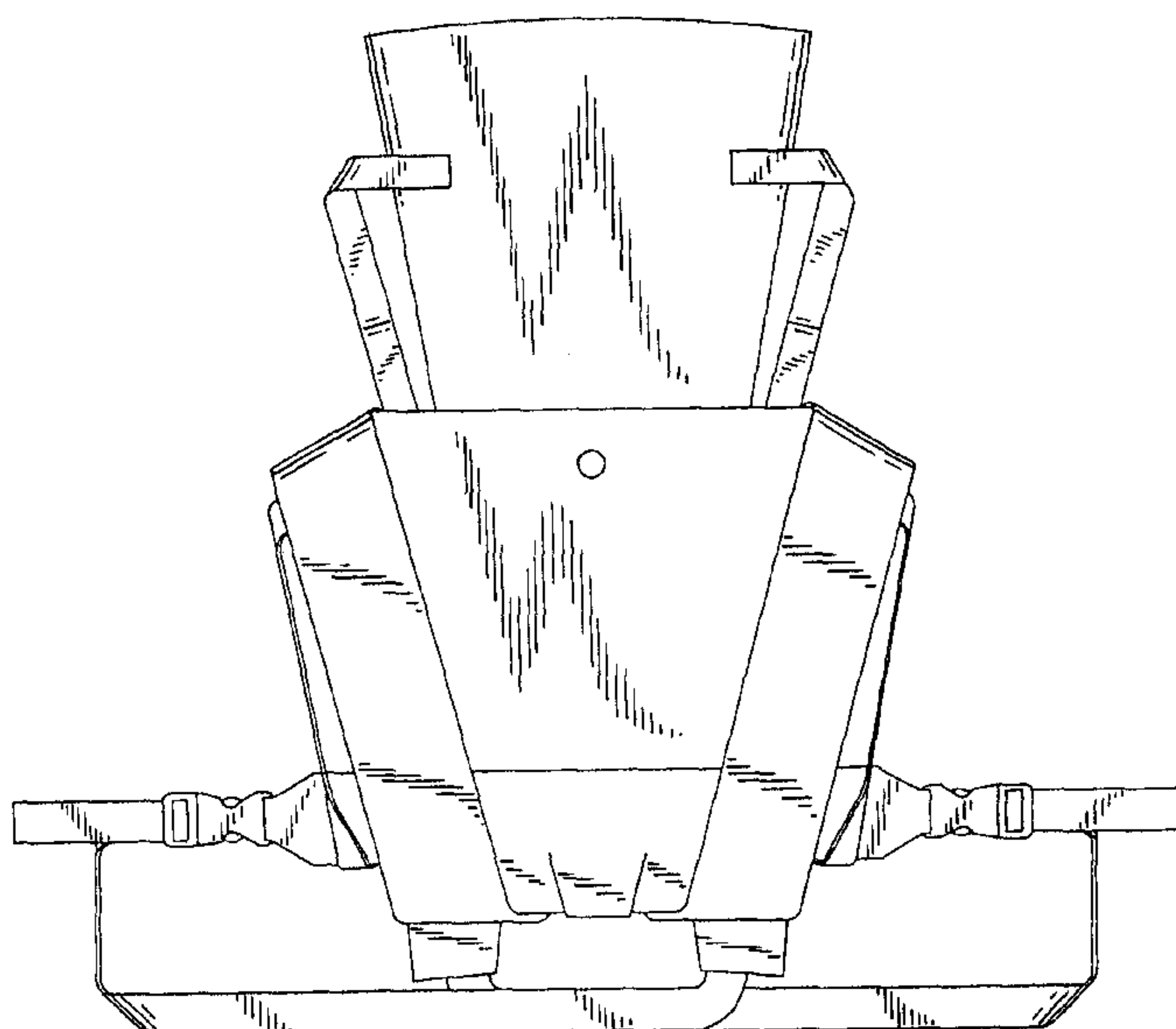
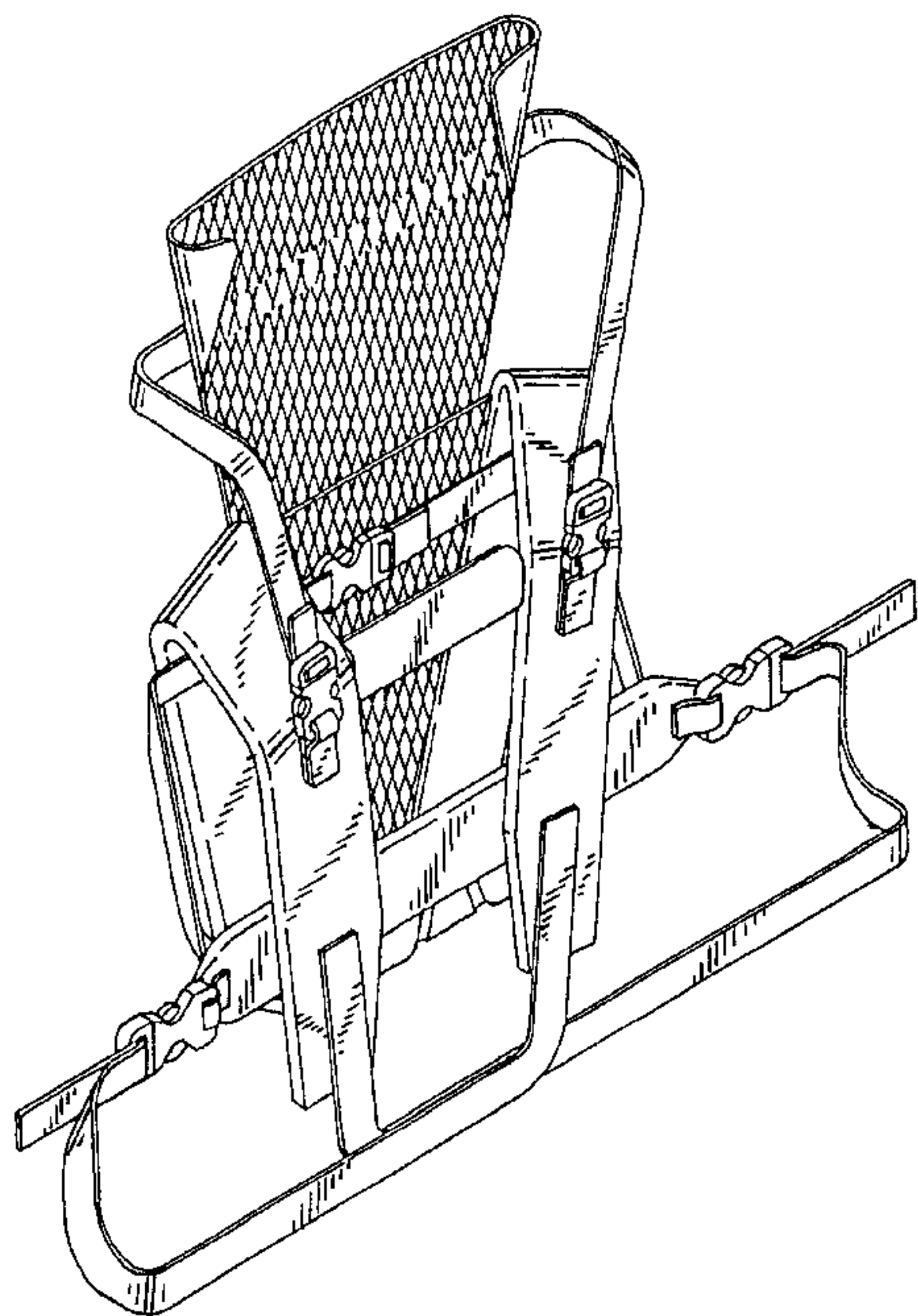
FIG. 3 is a side elevational view of the baby holder of FIG. 1.

FIG. 4 is a top plan view of the baby holder of FIG. 1.

FIG. 5 is a rear elevational view of the baby holder of FIG. 1; and,

FIG. 6 is a bottom view of the baby holder of FIG. 1.

1 Claim, 6 Drawing Sheets



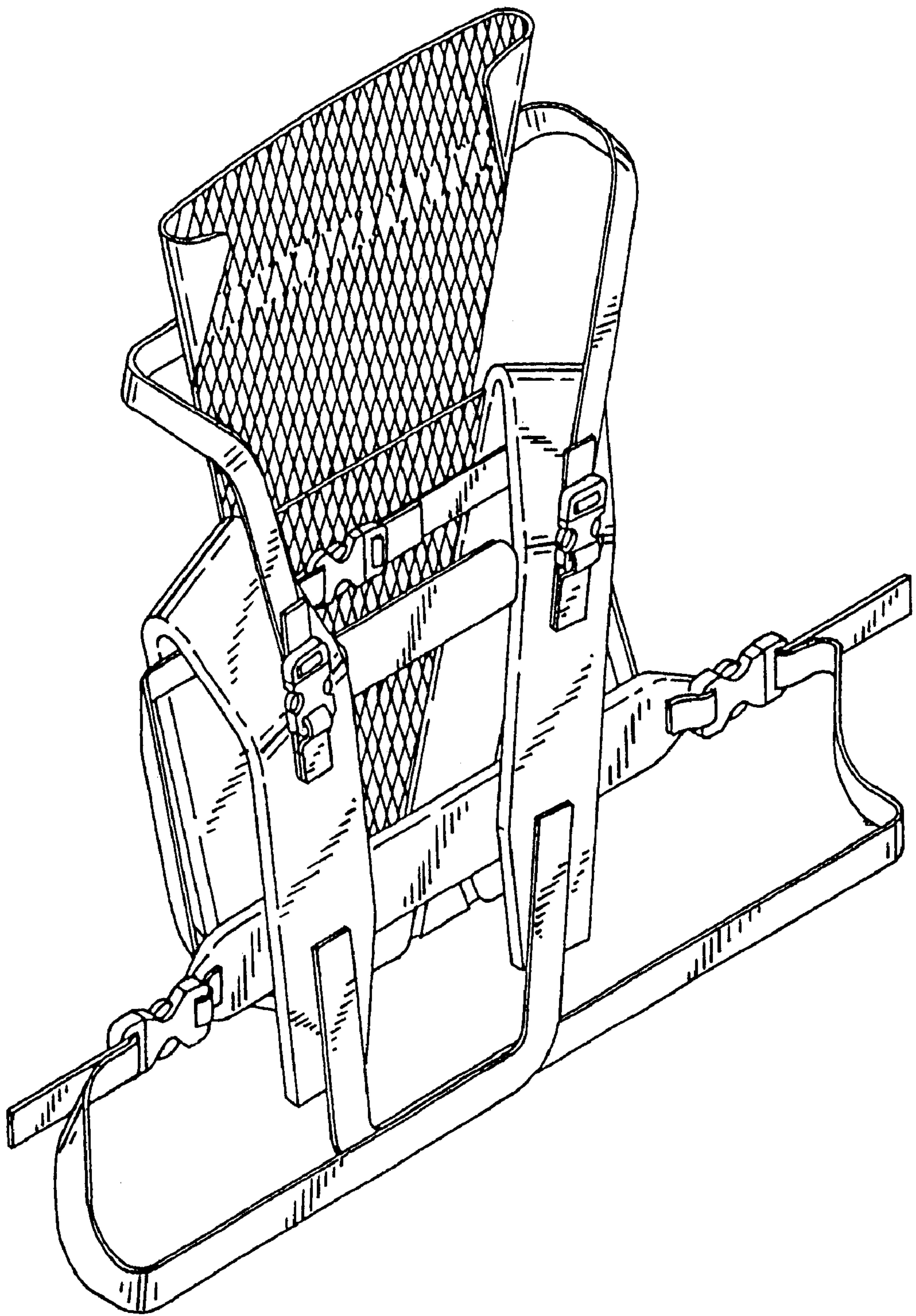


FIG. 1

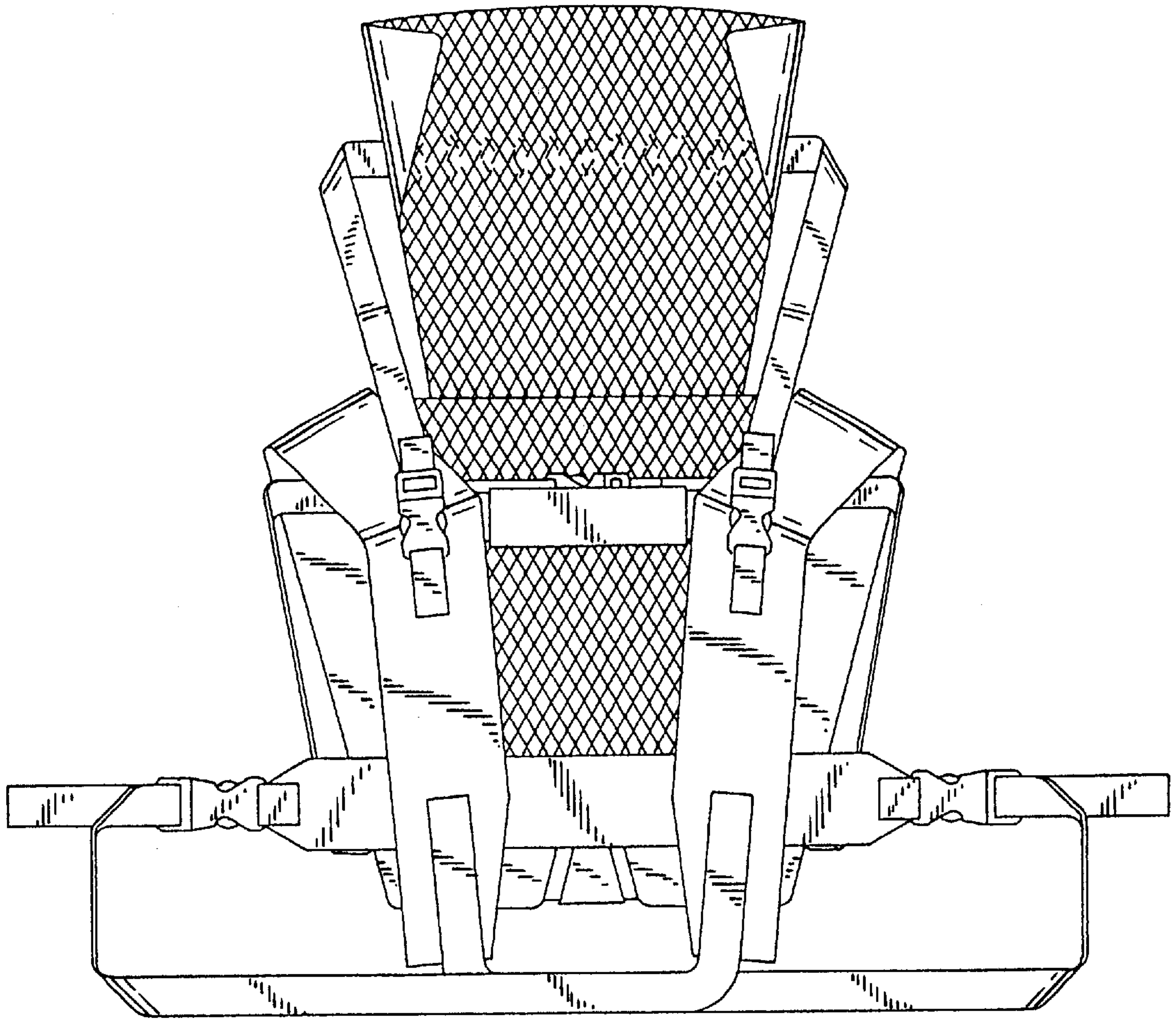


FIG. 2

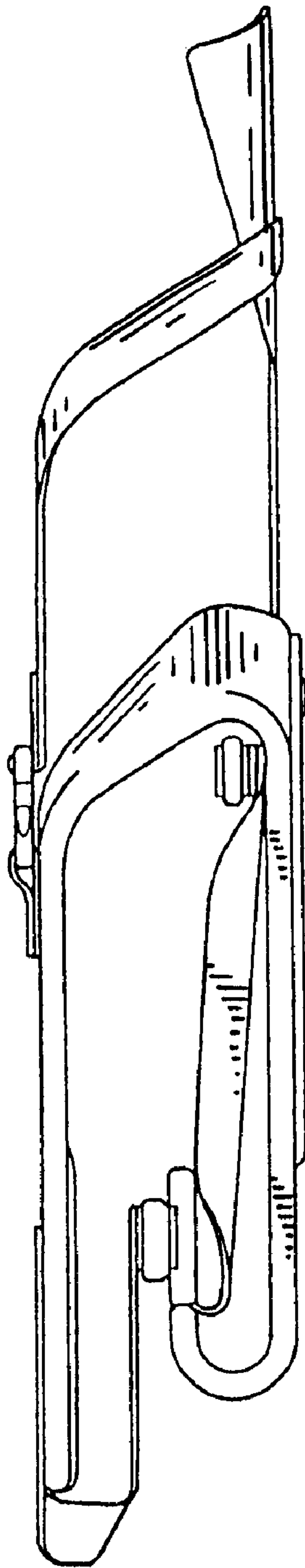


FIG. 3

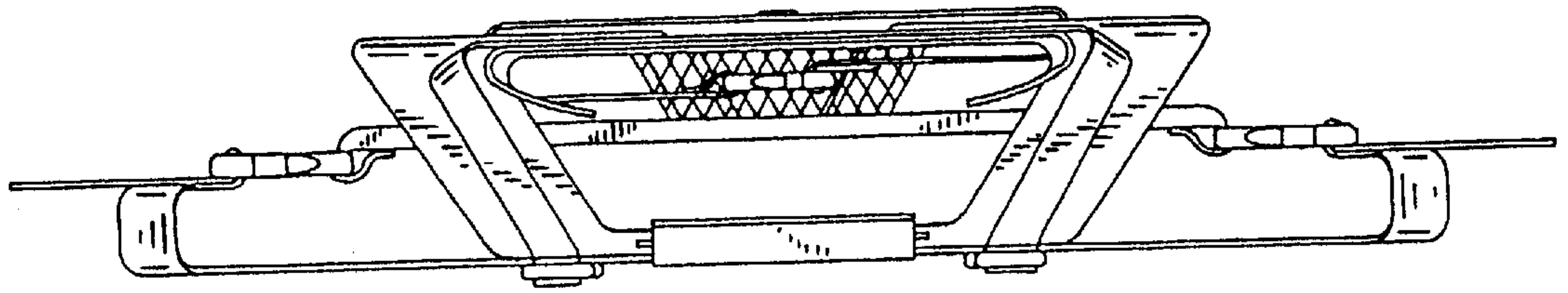


FIG. 4

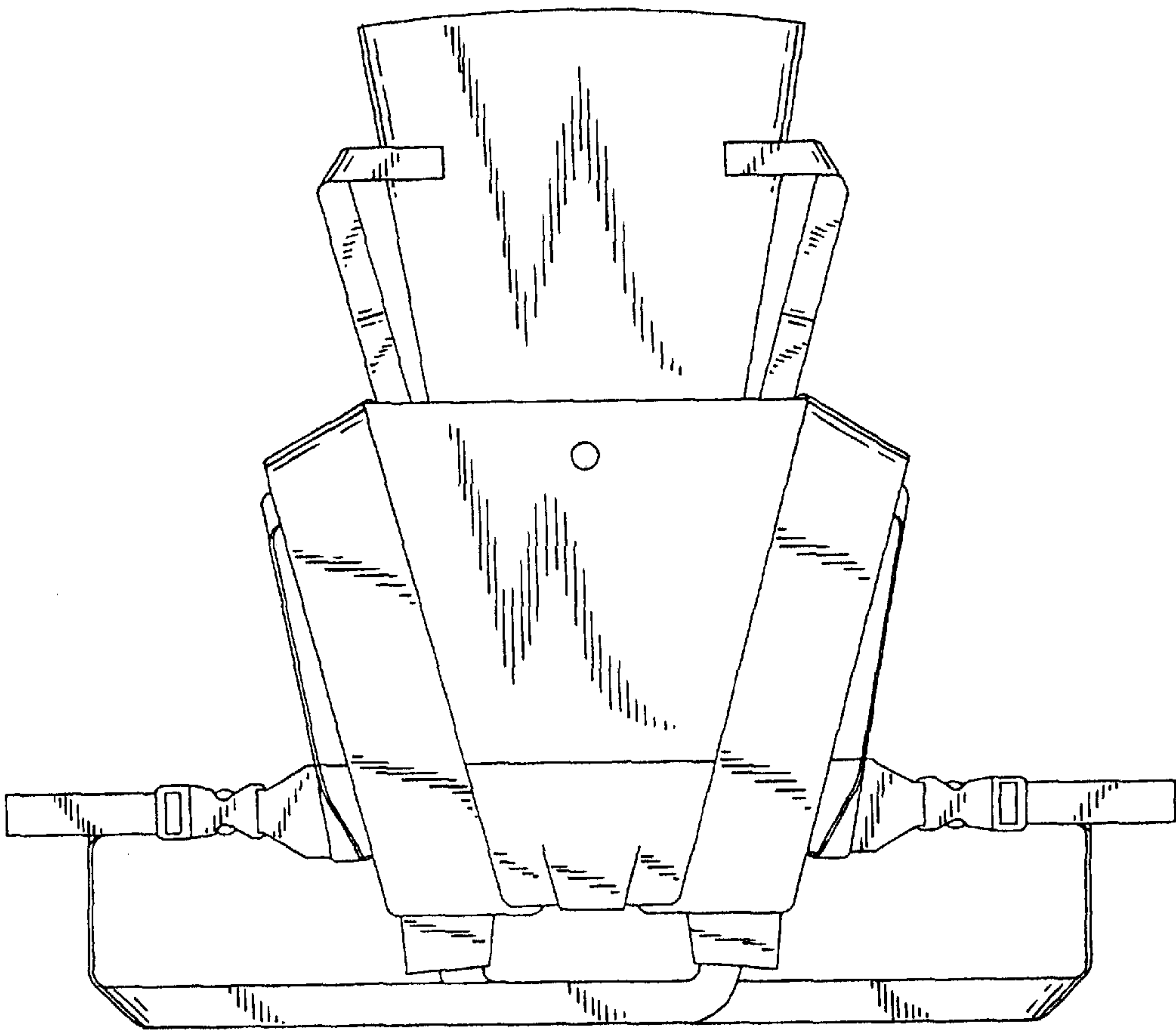


FIG. 5

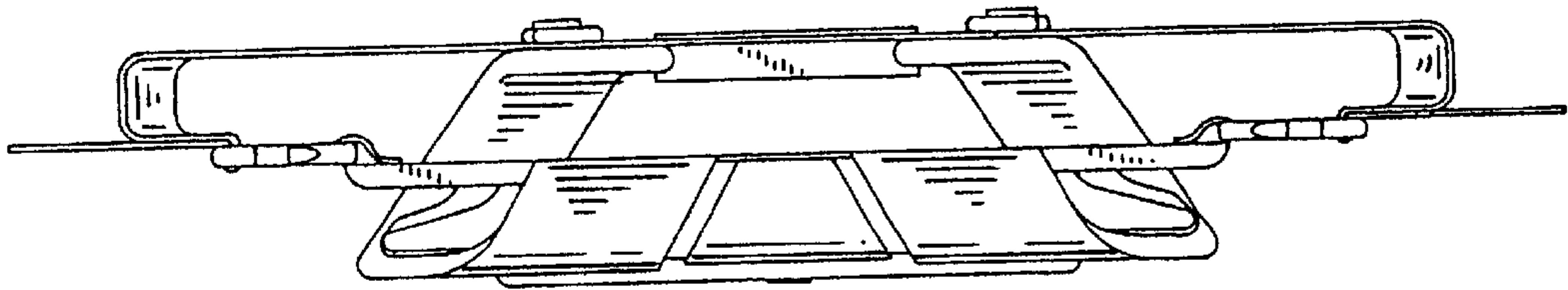


FIG. 6