



US00D486633S

(12) **United States Design Patent**
Adams

(10) **Patent No.:** **US D486,633 S**

(45) **Date of Patent:** **** Feb. 17, 2004**

(54) **FOOTWEAR UPPER**

(75) **Inventor:** **Fiona J. Adams**, Santa Barbara, CA (US)

(73) **Assignee:** **Global Brand Marketing Inc.**, Santa Barbara, CA (US)

(**) **Term:** **14 Years**

(21) **Appl. No.:** **29/184,039**

(22) **Filed:** **Sep. 29, 2003**

(51) **LOC (7) Cl.** **02-99**

(52) **U.S. Cl.** **D2/969**

(58) **Field of Search** D2/896, 902, 907,
D2/908, 943, 944, 946, 969, 972-974;
36/45, 50.1, 77 M, 77 R, 83, 88, 113, 114,
126-130

(56) **References Cited**

U.S. PATENT DOCUMENTS

D248,513 S	7/1978	Soler	D2/310
D291,383 S	8/1987	Campbell et al.	D2/309
D292,944 S	12/1987	Kelley	D2/314
D305,828 S	2/1990	Whatley	D2/314
D310,293 S	* 9/1990	Serna et al.	D2/969
D359,386 S	6/1995	Greene	D2/969
D370,118 S	5/1996	Avar	D2/969
D389,300 S	1/1998	Teague	D2/972

D422,400 S	4/2000	Brady et al.	D2/902
D424,283 S	5/2000	Snyder	D2/908
D444,622 S	* 7/2001	Wilson	D2/969
D444,937 S	* 7/2001	Wilson	D2/969
D449,426 S	* 10/2001	Pollastrelli	D2/907
D472,039 S	3/2002	Schroeder et al.	D2/969
D466,678 S	12/2002	Jacobs	D2/902
D470,299 S	* 2/2003	Masullo	D2/969

* cited by examiner

Primary Examiner—Dominic Simone

(74) *Attorney, Agent, or Firm*—Jeffer, Mangels, Butler & Marmaro LLP

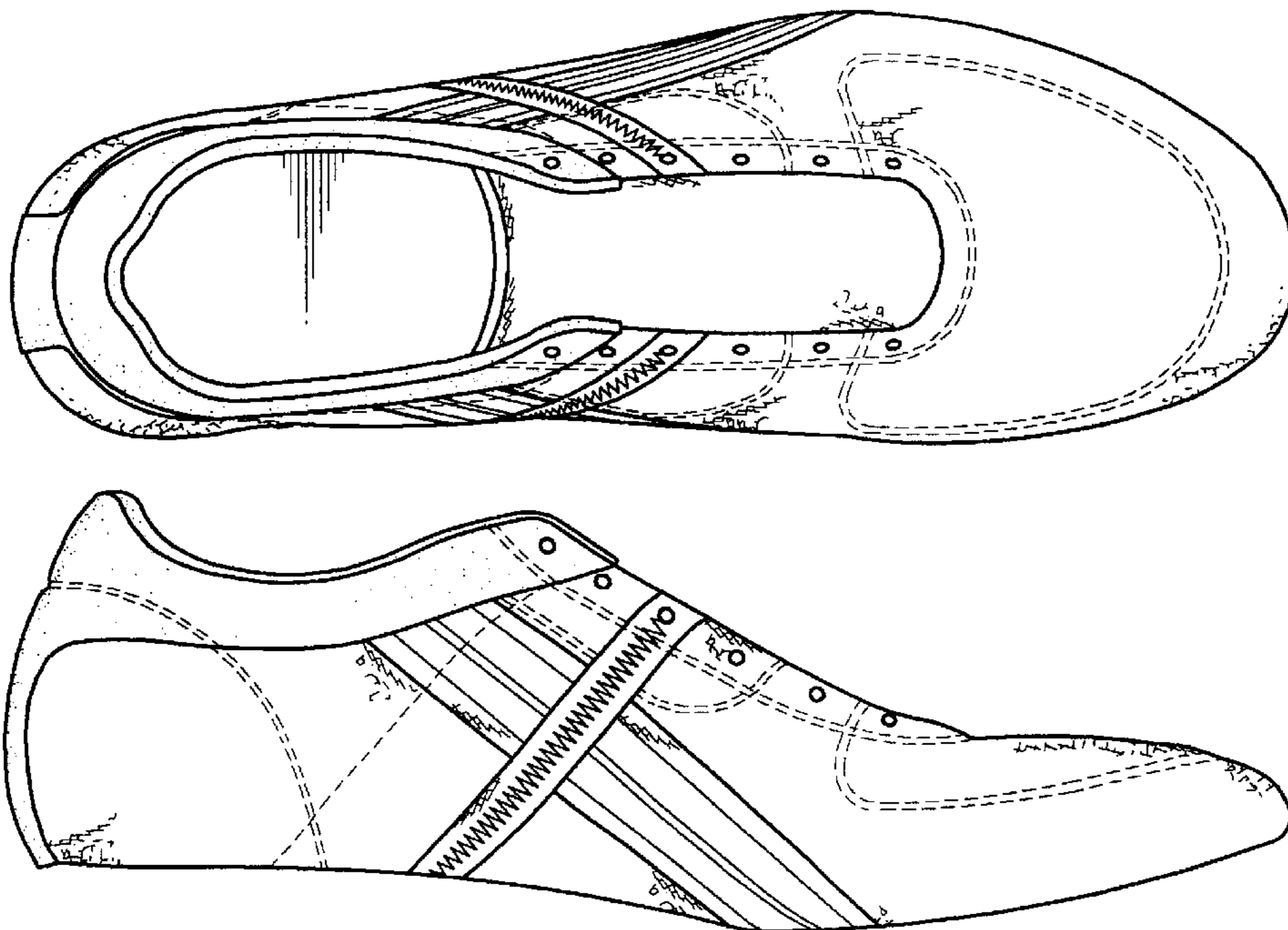
(57) **CLAIM**

The ornamental design for a footwear upper, as shown and described.

DESCRIPTION

FIG. 1 is a top plan view of a preferred embodiment of a footwear upper showing our new design; FIG. 2 is a right side elevational view thereof; FIG. 3 is a left side elevational view thereof; FIG. 4 is a front elevational view thereof; and, FIG. 5 is a rear elevational view thereof. The broken line showing the upper in the figures is for illustrative purposes only and forms no part of the claimed design.

1 Claim, 2 Drawing Sheets



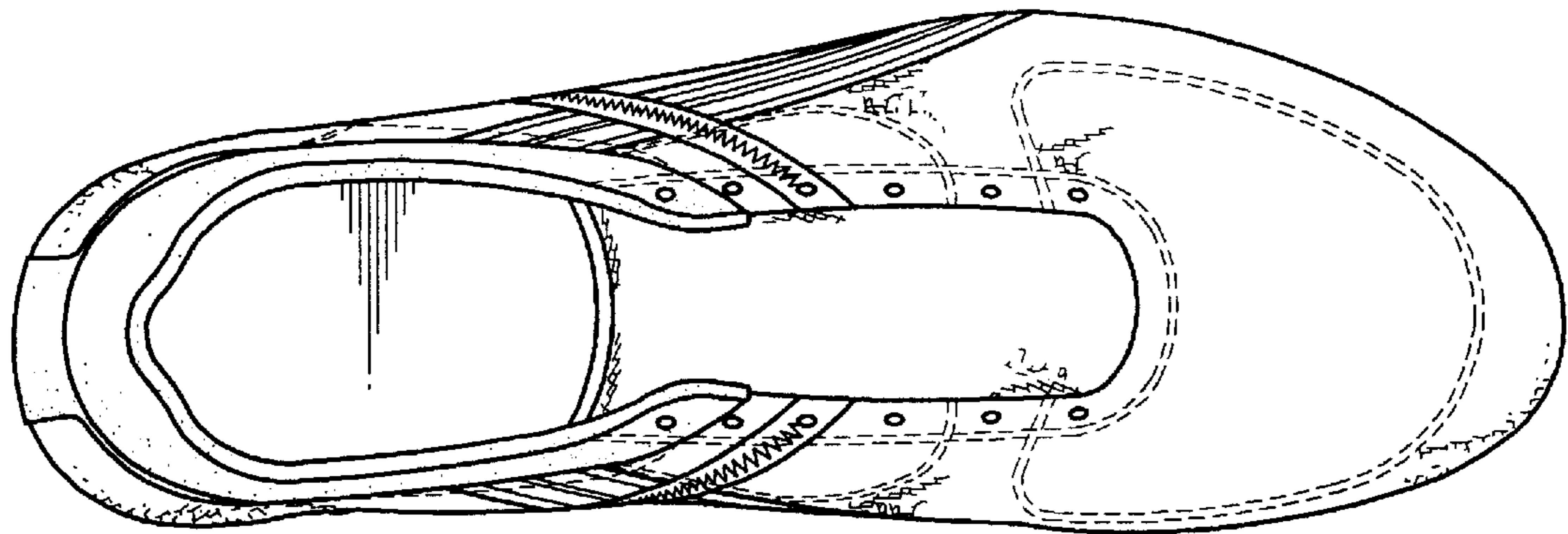


FIG. 1

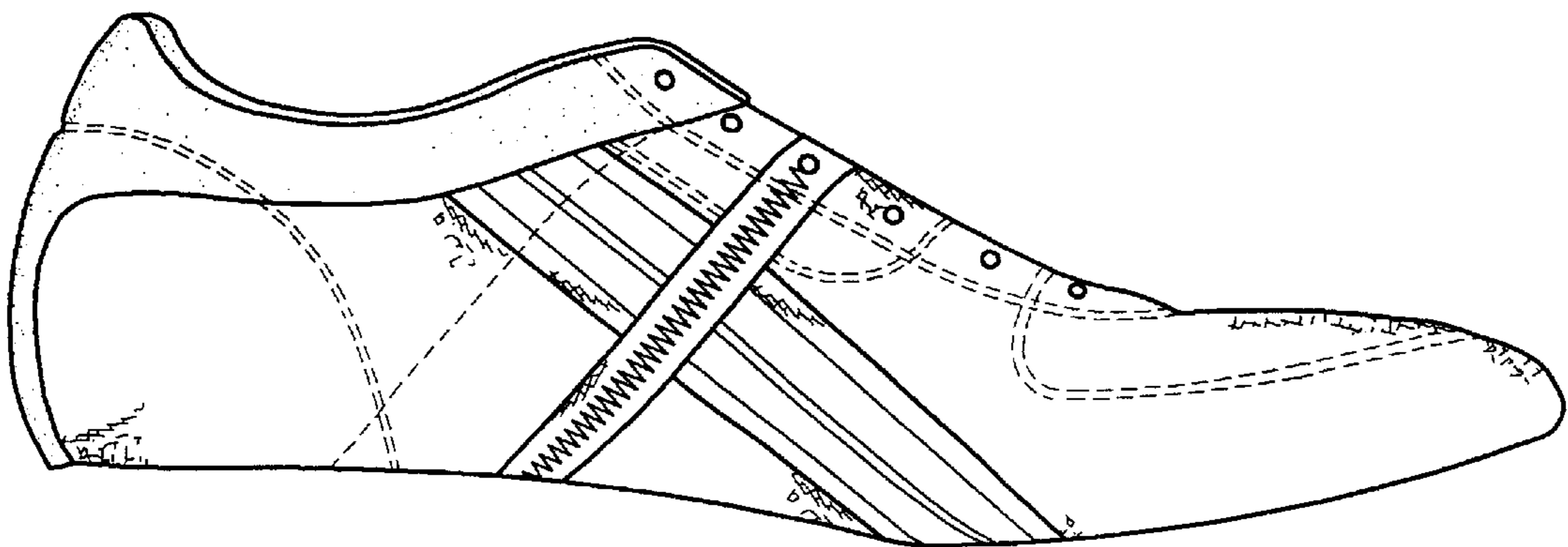


FIG. 2

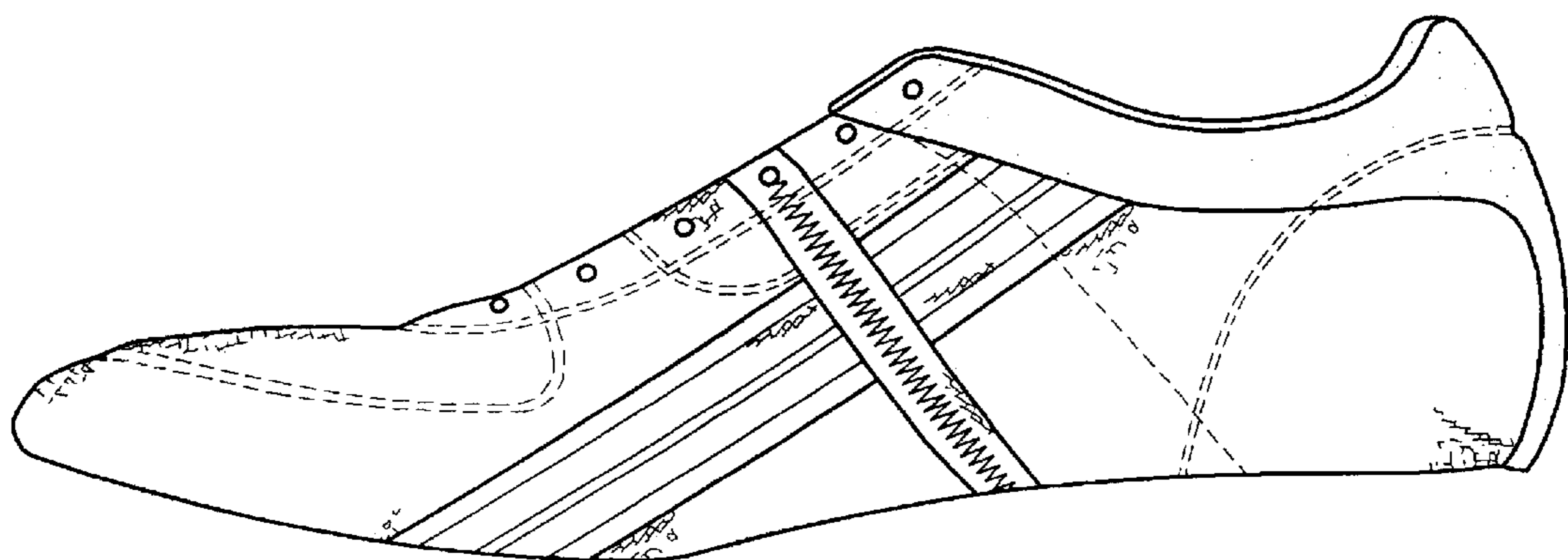


FIG. 3

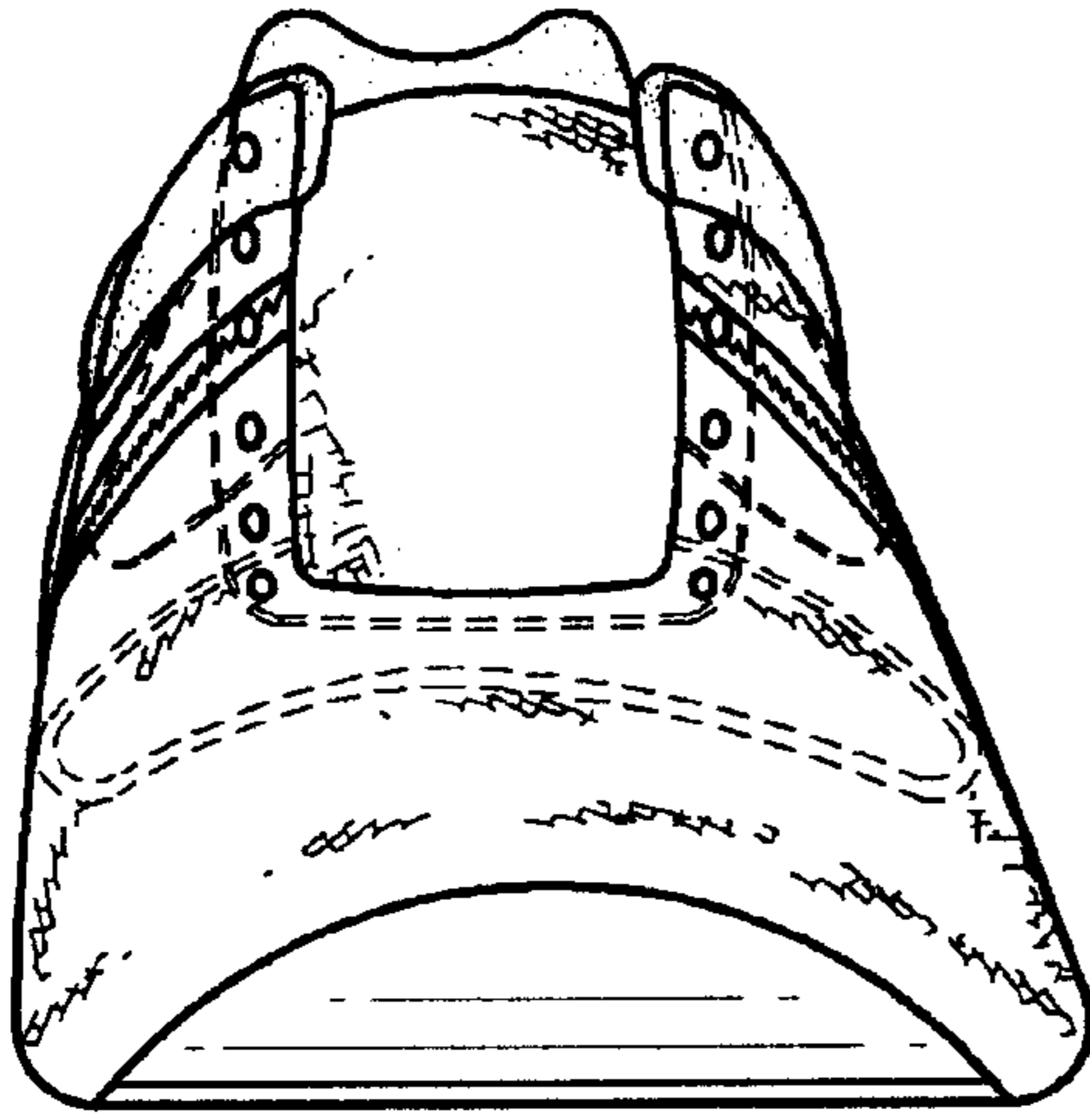


FIG. 4

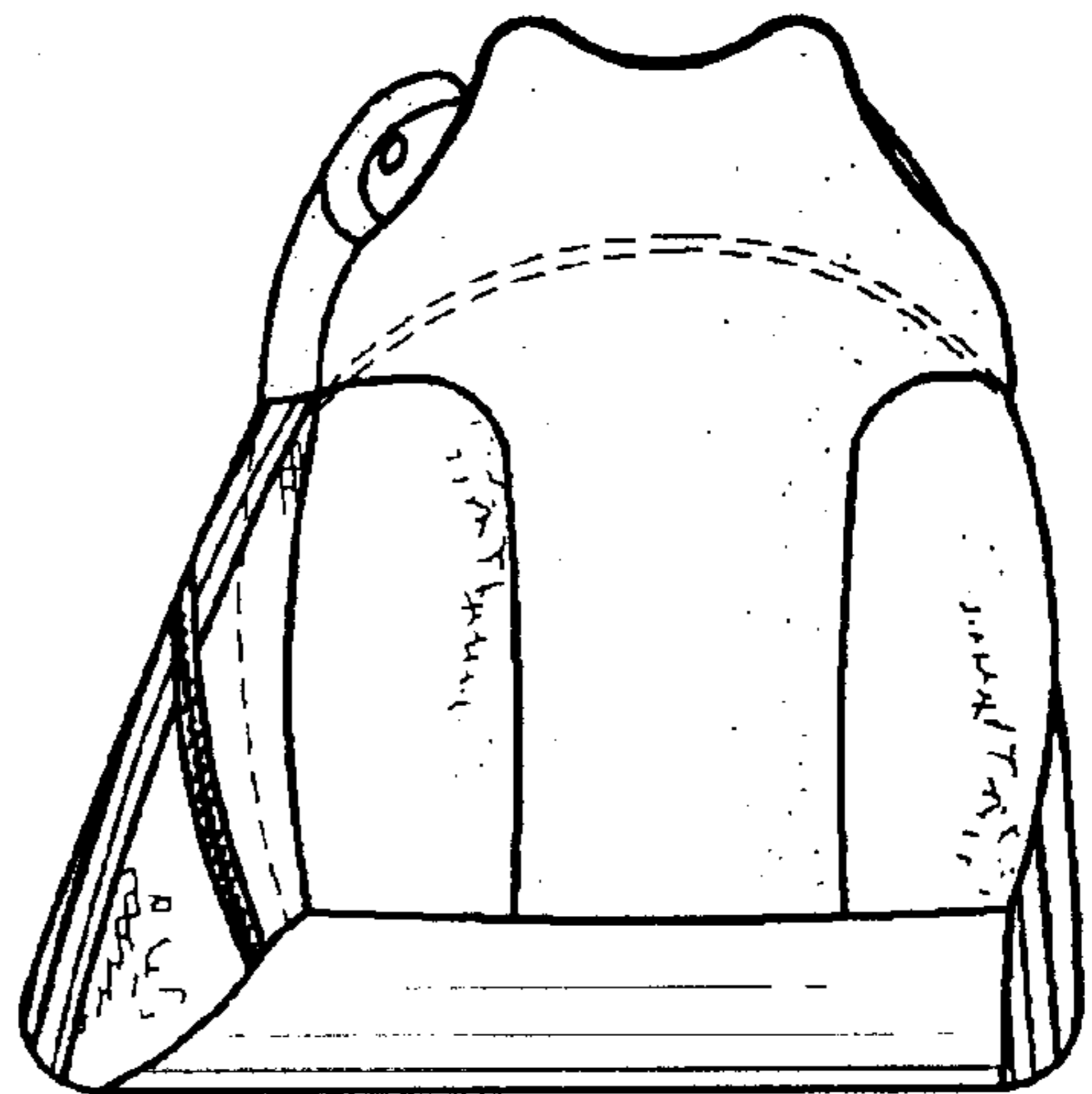


FIG. 5