



US00D486632S

(12) **United States Design Patent**
Adams

(10) **Patent No.:** **US D486,632 S**

(45) **Date of Patent:** **** Feb. 17, 2004**

(54) **FOOTWEAR UPPER**

(75) **Inventor:** **Fiona J. Adams**, Santa Barbara, CA (US)

(73) **Assignee:** **Global Brand Marketing Inc.**, Santa Barbara, CA (US)

(**) **Term:** **14 Years**

(21) **Appl. No.:** **29/184,038**

(22) **Filed:** **Sep. 29, 2003**

(51) **LOC (7) Cl.** **02-04**

(52) **U.S. Cl.** **D2/969**

(58) **Field of Search** D2/896, 902-908, D2/943, 944, 946, 969, 972-974; 36/45, 50.1, 77 M, 77 R, 83, 88, 113, 114, 126-130

(56) **References Cited**

U.S. PATENT DOCUMENTS

D220,464 S	4/1971	Hayashi	D2/309
D262,496 S	1/1982	DeCoster	D2/309
D265,015 S	6/1982	Higgins	D2/309
D266,455 S	10/1982	Famolare, Jr.	D2/326
D281,115 S	10/1985	Campbell et al.	D2/309
D293,159 S	12/1987	Sacre	D2/264
D310,293 S	* 9/1990	Serna et al.	D2/969

D365,198 S	12/1995	Worthington	D2/969
D451,266 S	12/2001	Schroeder et al.	D2/969
D456,597 S	5/2002	Adams	D2/969
D461,950 S	* 8/2002	Adams	D2/969
D472,039 S	* 3/2003	Schroeder et al.	D2/969
D474,008 S	5/2003	Masullo	D2/969

* cited by examiner

Primary Examiner—Dominic Simone

(74) *Attorney, Agent, or Firm*—Jeffer, Mangels, Butler & Marmaro LLP

(57) **CLAIM**

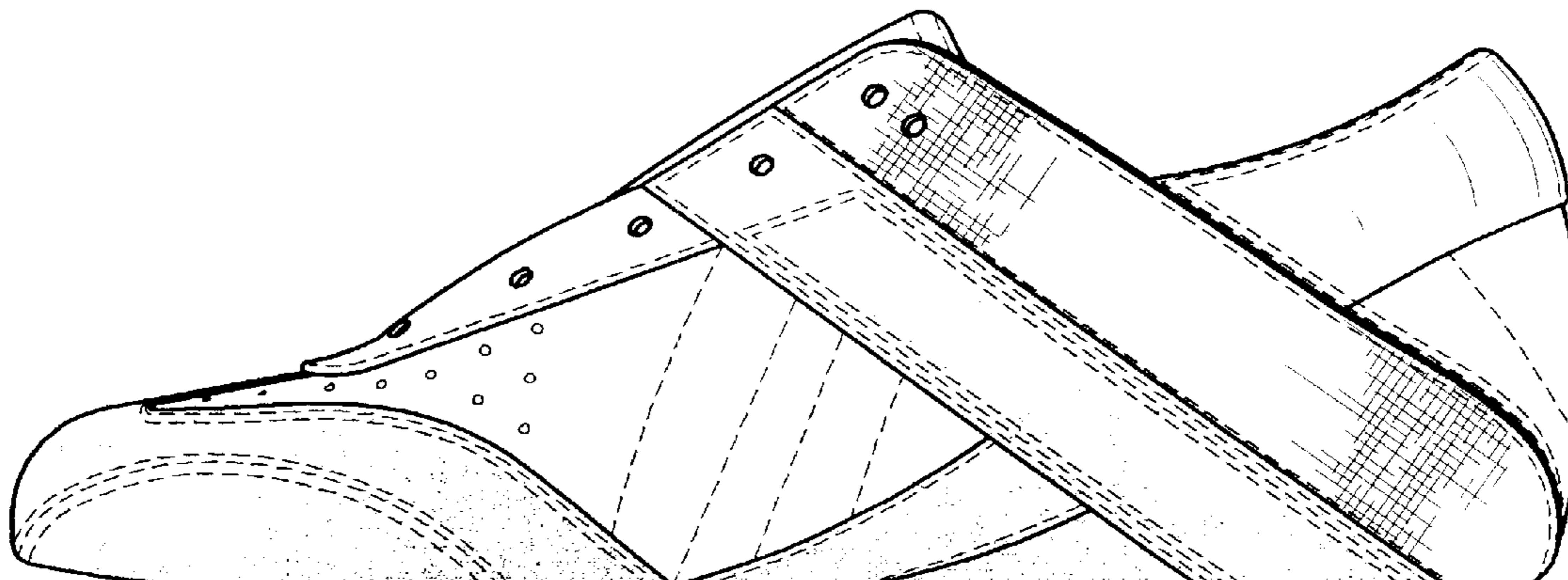
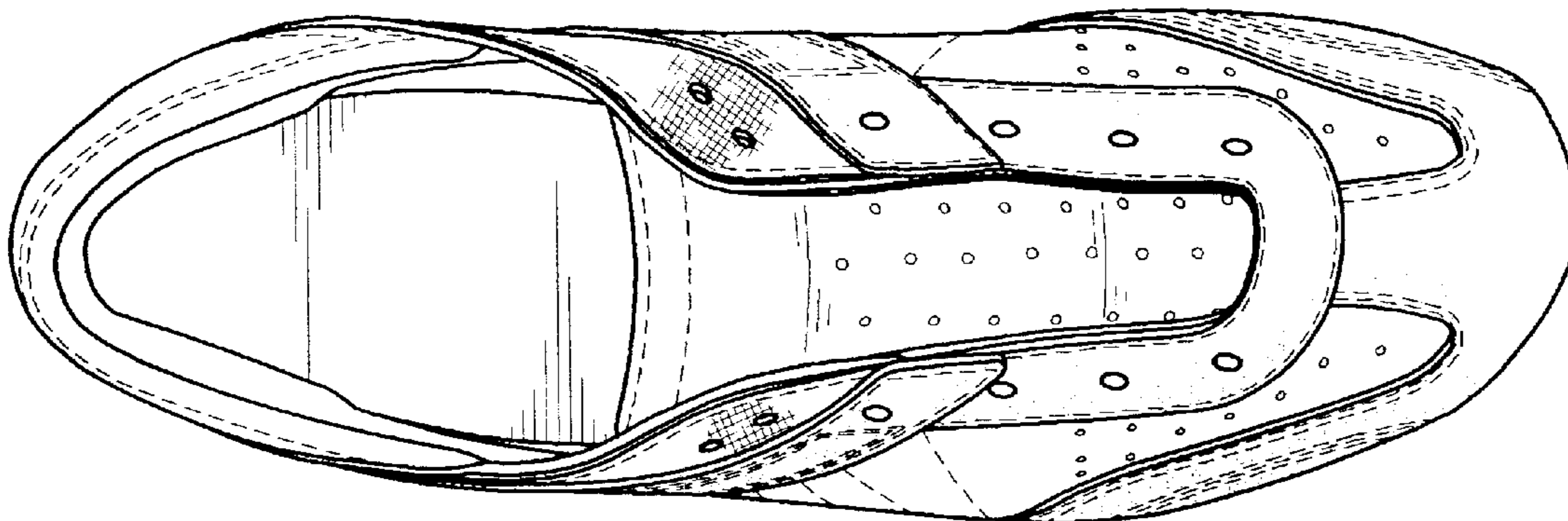
The ornamental design for a footwear upper, as shown and described.

DESCRIPTION

FIG. 1 is a top plan view of a preferred embodiment of a footwear upper showing our new design; FIG. 2 is a front elevational view thereof; FIG. 3 is a rear elevational view thereof; FIG. 4 is a left side elevational view thereof; and, FIG. 5 is a right side elevational view thereof.

The broken line showing the upper in the figures is for illustrative purposes only and forms no part of the claimed design.

1 Claim, 2 Drawing Sheets



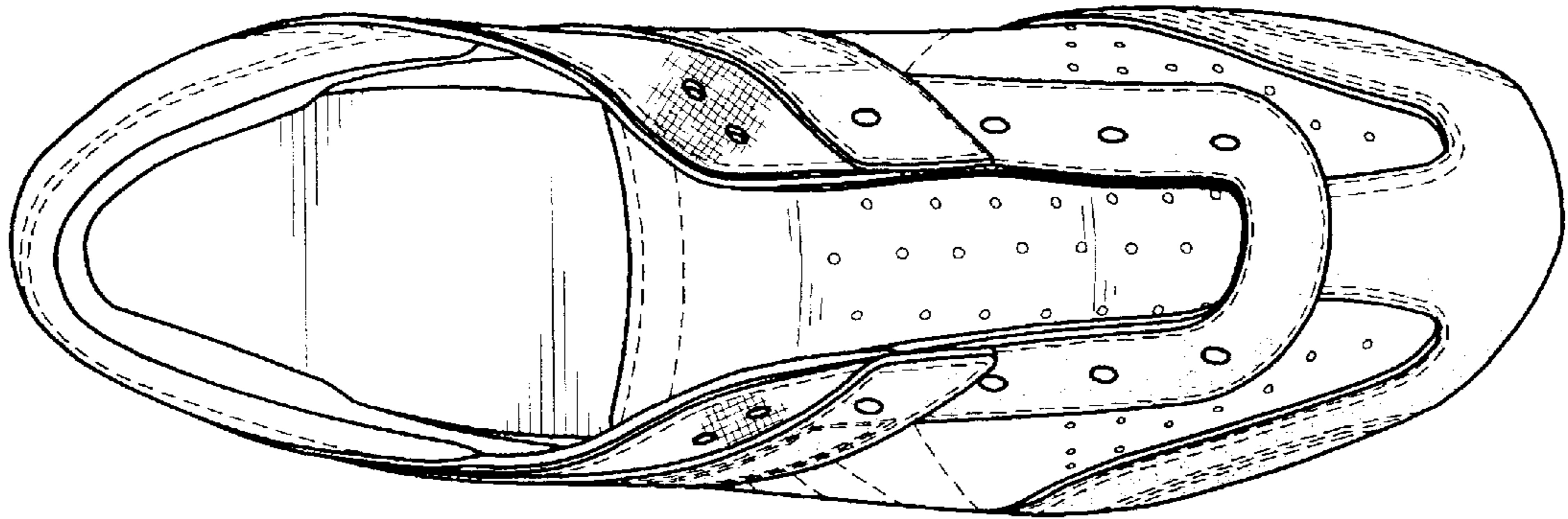


FIG. 1

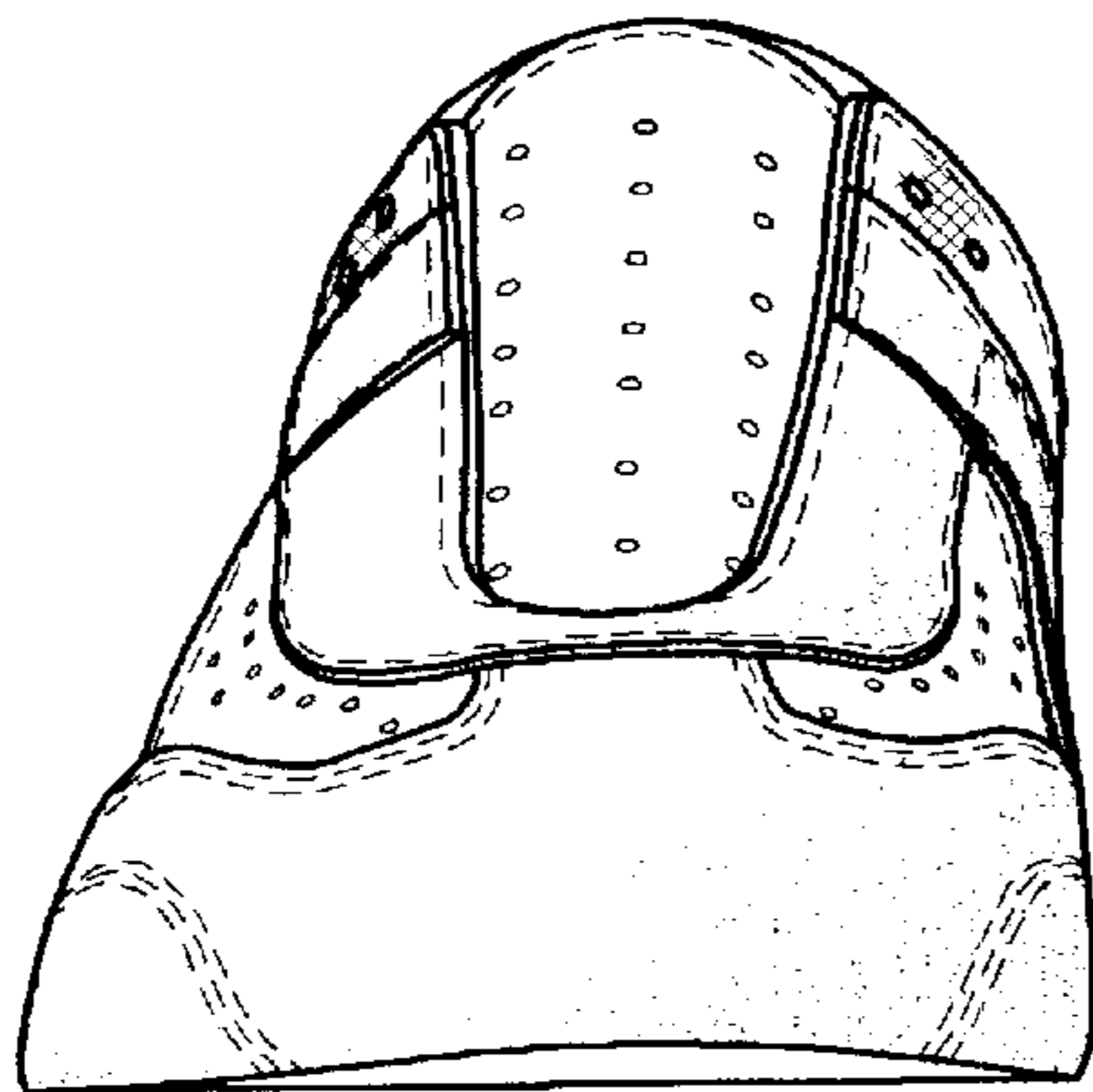


FIG. 2

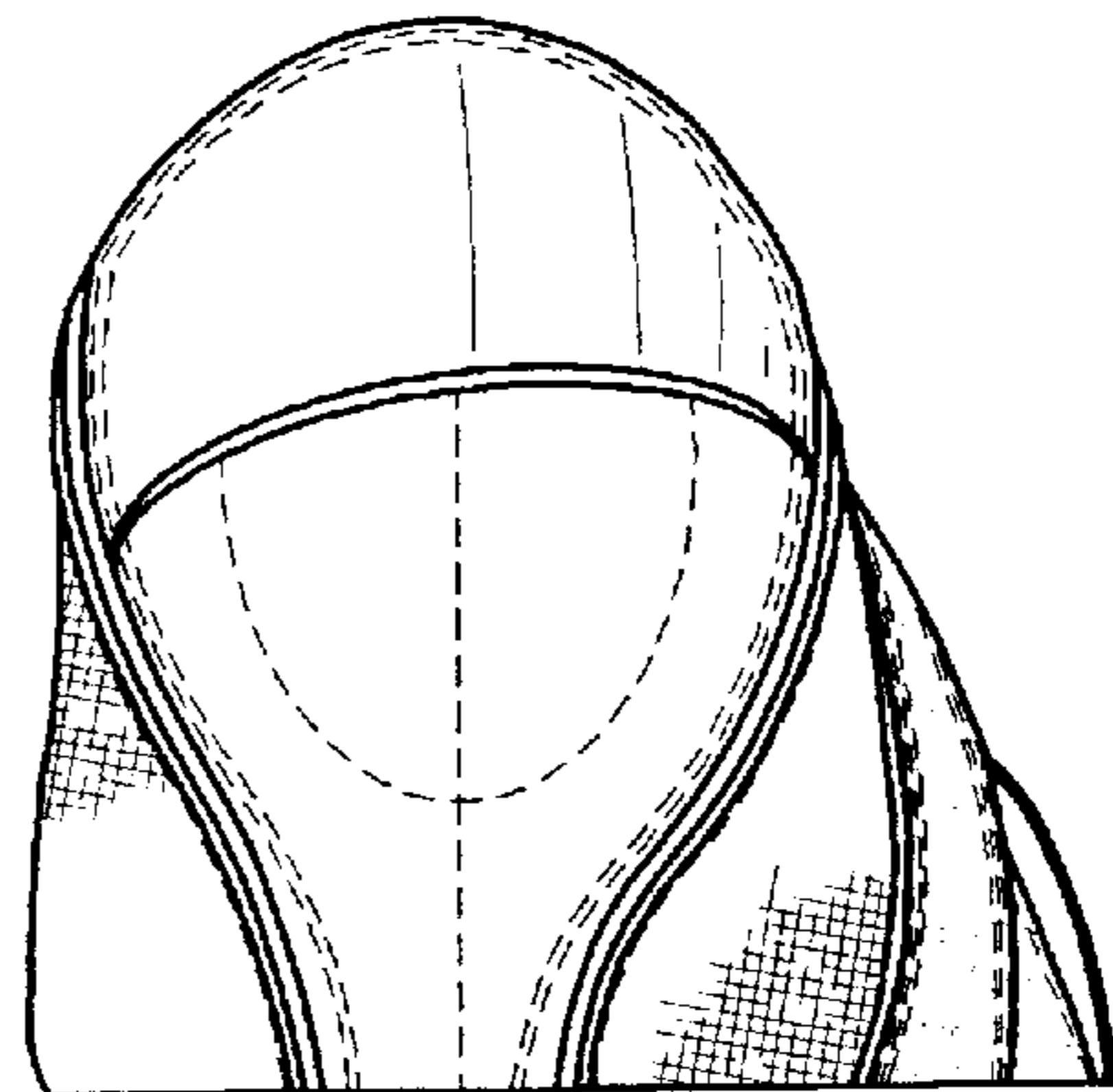


FIG. 3

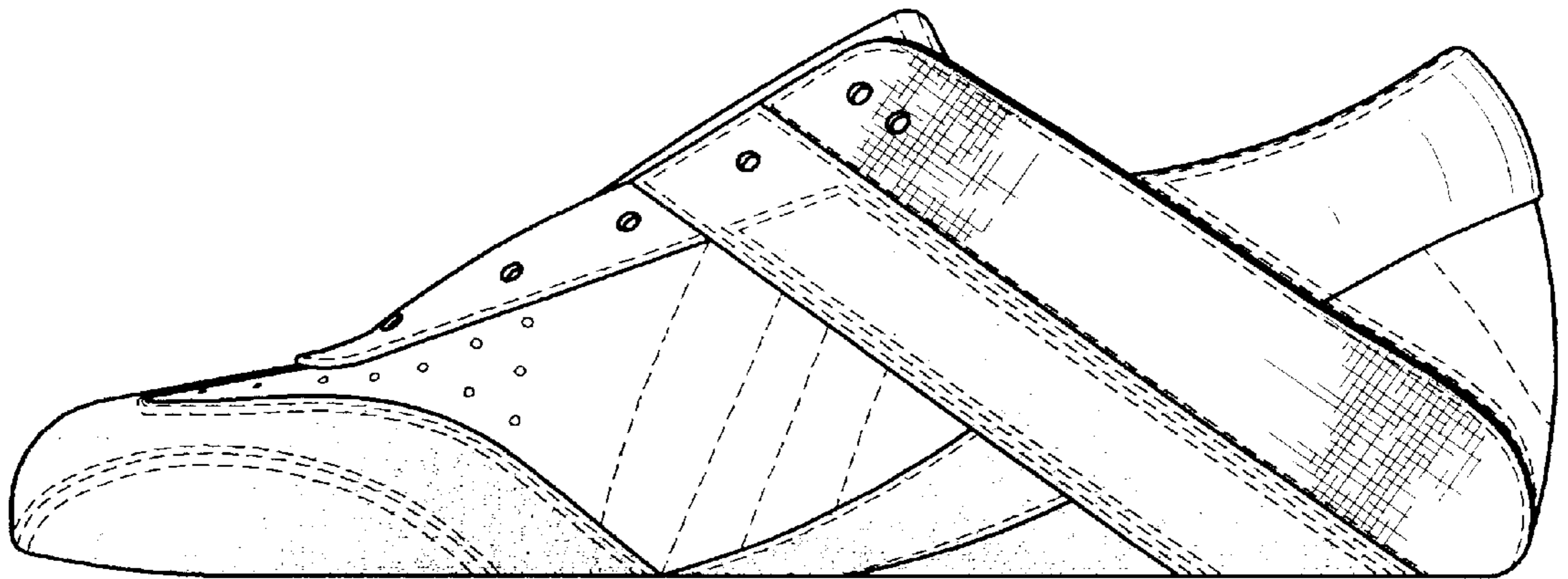


FIG. 4

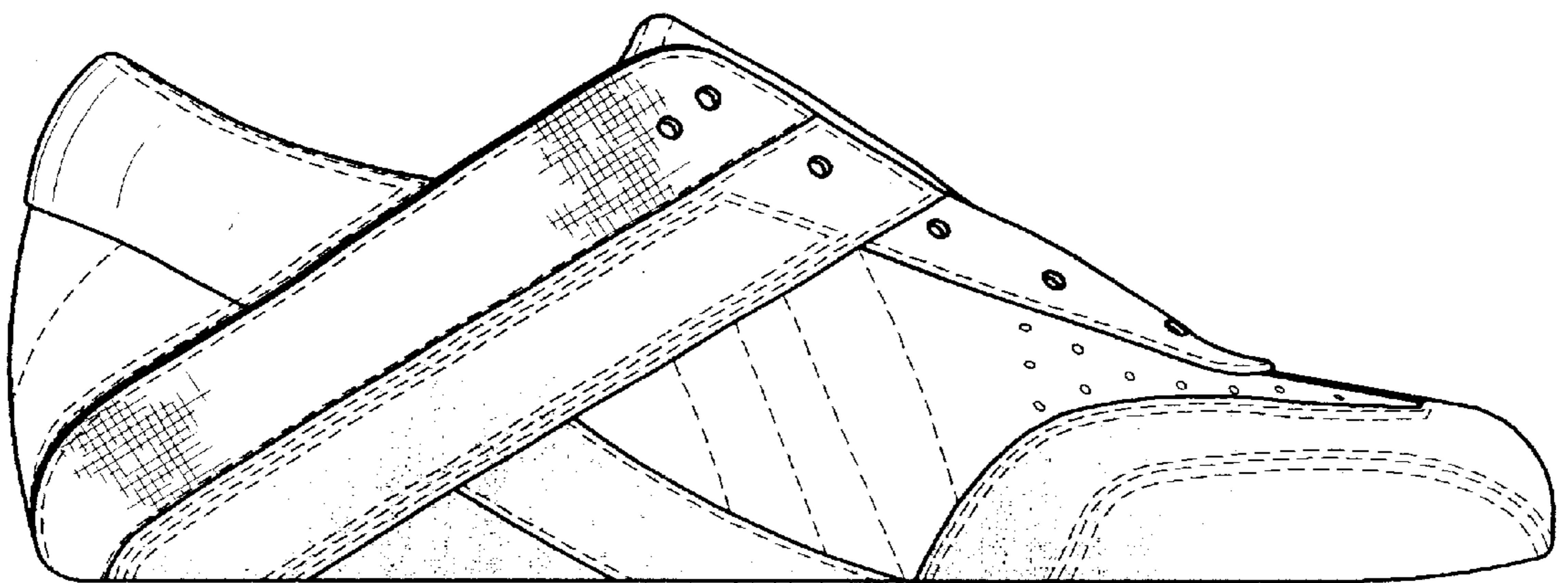


FIG. 5