



US00D486618S

(12) **United States Design Patent**
Crosco, Sr.

(10) **Patent No.:** **US D486,618 S**

(45) **Date of Patent:** **** Feb. 10, 2004**

(54) **UTILITY CART**

(76) **Inventor:** **Carl G. Crosco, Sr., P.O. Box 396,
Bruceton Mills, WV (US) 26525**

(**) **Term:** **14 Years**

(21) **Appl. No.:** **29/181,979**

(22) **Filed:** **May 19, 2003**

(51) **LOC (7) Cl.** **12-02**

(52) **U.S. Cl.** **D34/17; D34/21**

(58) **Field of Search** **D34/12-27; 280/79.11,
280/79.2, 79.3, 47.34, 47.26; 248/129**

(56) **References Cited**

U.S. PATENT DOCUMENTS

D287,177 S * 12/1986 Spicer D34/21
5,876,050 A * 3/1999 Berger 280/79.2

6,523,776 B1 * 2/2003 Elder 242/594.4
2001/0005070 A1 * 6/2001 Kemnitzer 280/33.991

* cited by examiner

Primary Examiner—Kay H. Chin

(57) **CLAIM**

The ornamental design for a utility cart, as shown and described.

DESCRIPTION

FIG. 1 is a top perspective view of a utility cart showing my new design.

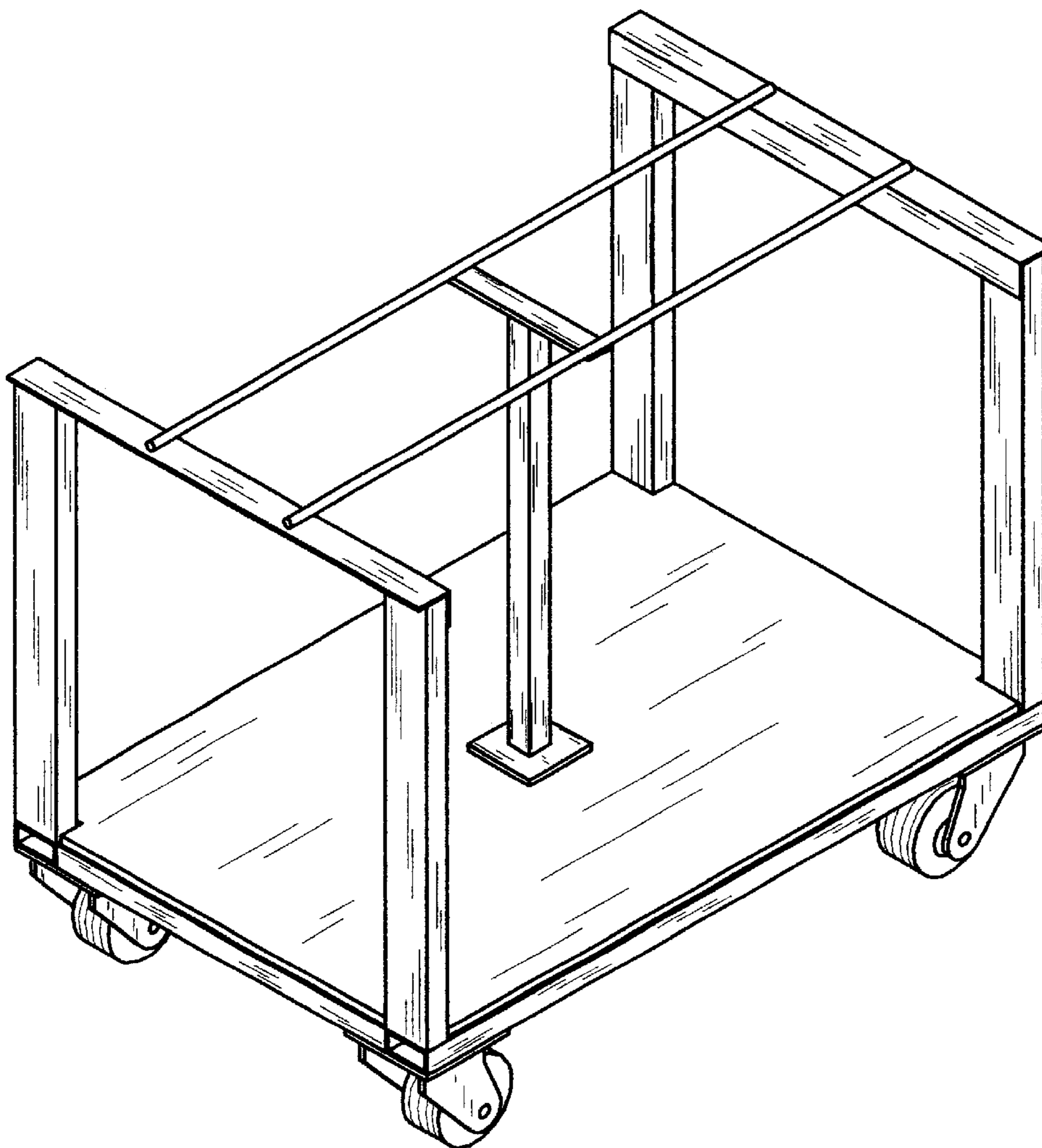
FIG. 2 is a top view of the utility cart.

FIG. 3 is a side view of the utility cart.

FIG. 4 is a bottom view of the utility cart; and,

FIG. 5 is an end view of the utility cart.

1 Claim, 3 Drawing Sheets



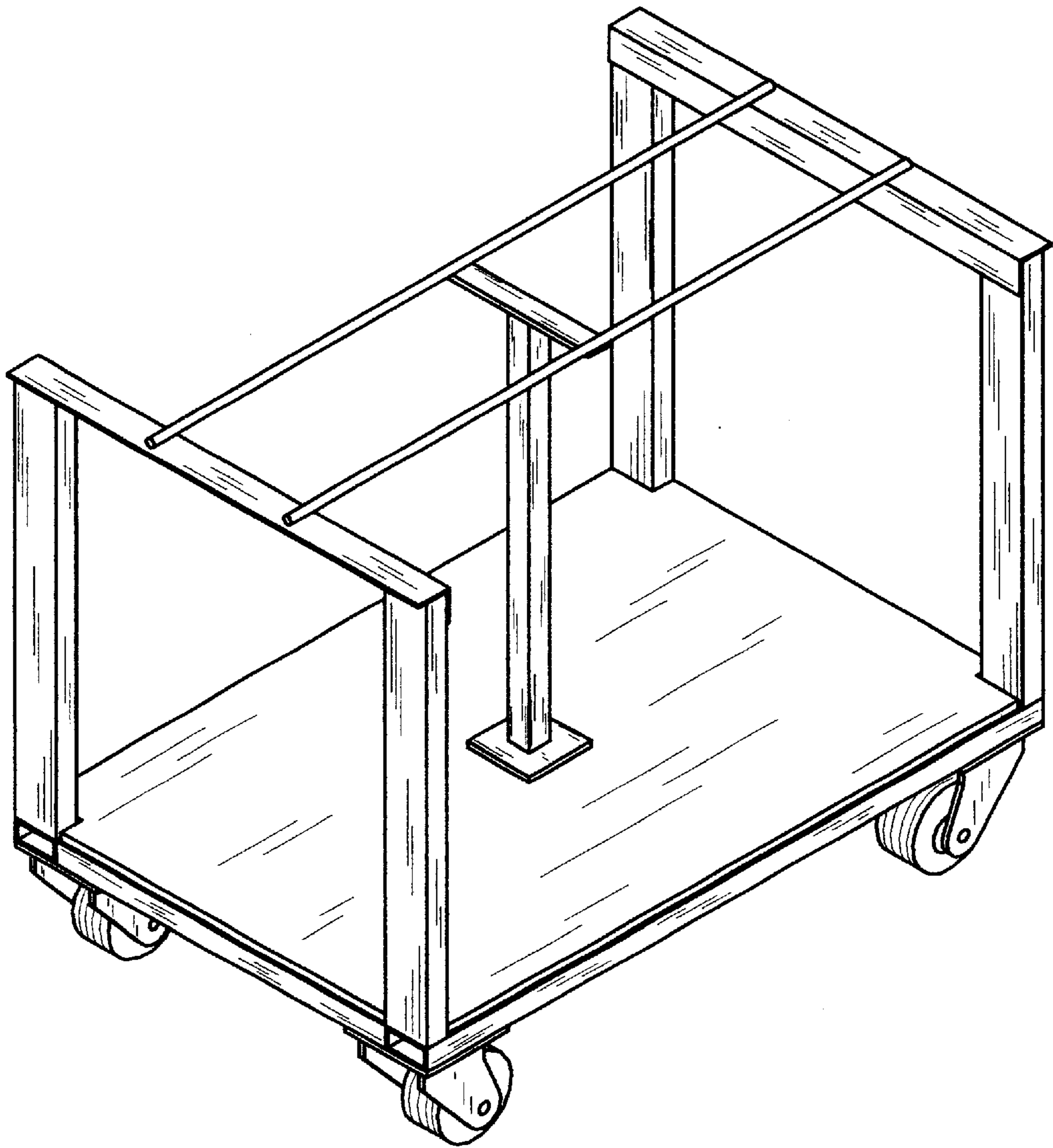


FIG. 1

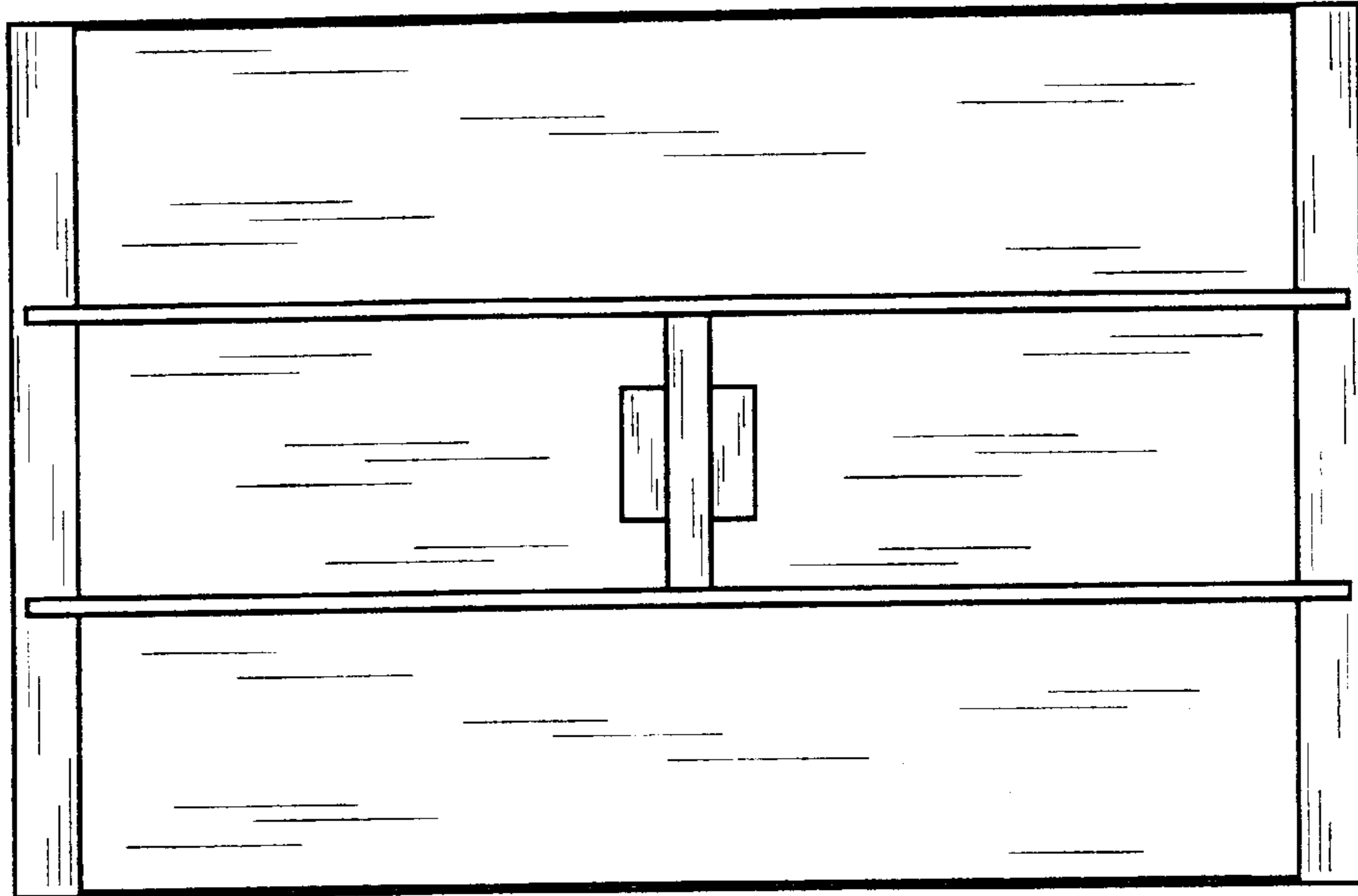


FIG. 2

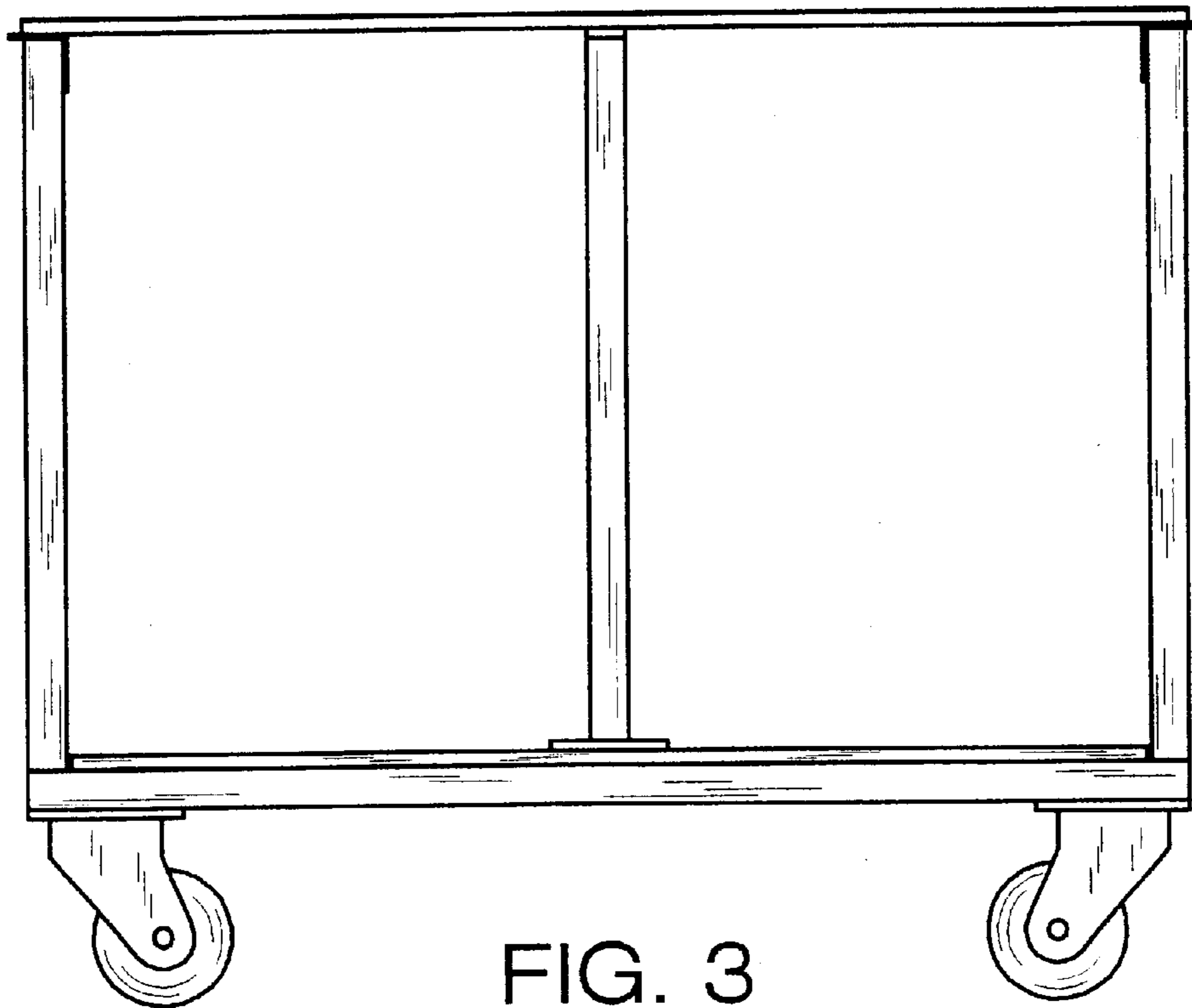


FIG. 3

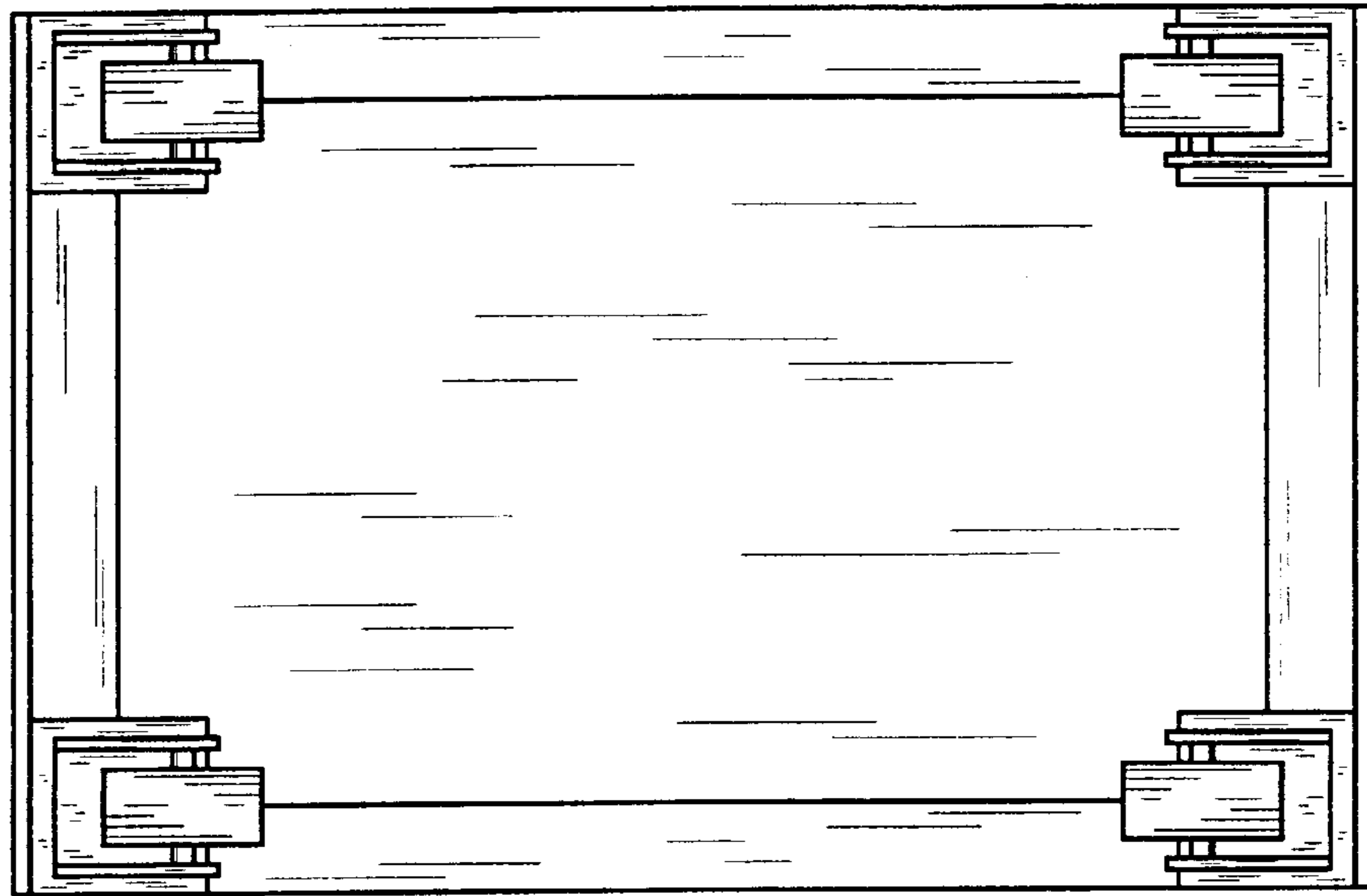


FIG. 4

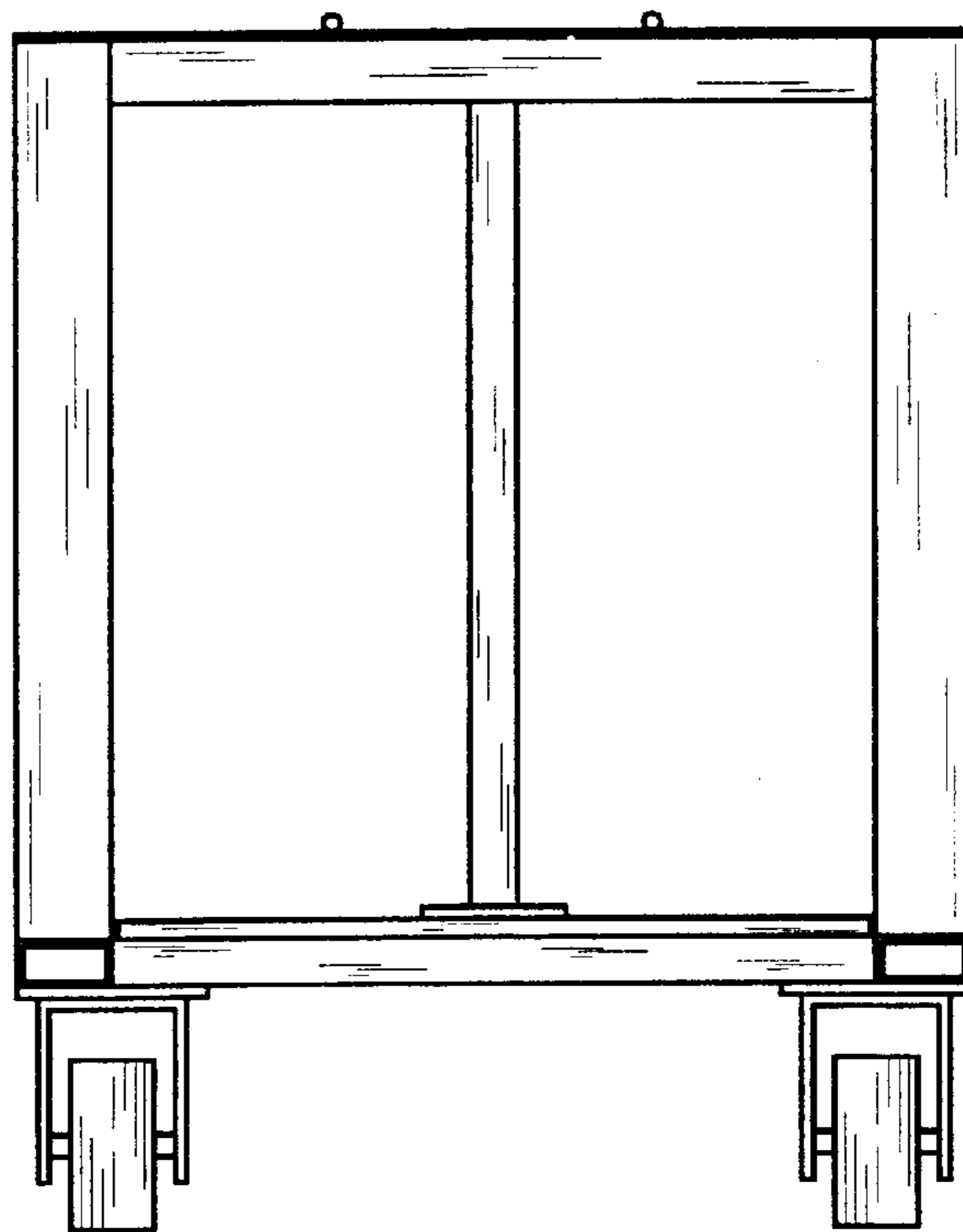


FIG. 5