



US00D486617S

(12) **United States Design Patent**
Binder et al.

(10) **Patent No.: US D486,617 S**

(45) **Date of Patent: ** Feb. 10, 2004**

(54) **PORTABLE LEAF BAG HOLDER**

(76) Inventors: **Susanna Binder**, 2240 Black River St.,
Deckerville, MI (US) 48472; **Nick
Binder**, 2240 Black River St.,
Deckerville, MI (US) 48472

(**) Term: **14 Years**

(21) Appl. No.: **29/139,941**

(22) Filed: **Apr. 9, 2001**

Related U.S. Application Data

(63) Continuation-in-part of application No. 09/210,917, filed on
Dec. 14, 1998, now abandoned.

(51) **LOC (7) Cl.** **09-09**

(52) **U.S. Cl.** **D34/6**

(58) **Field of Search** D34/1, 5, 6; 248/95,
248/97, 98, 99, 100, 101

(56) **References Cited**

U.S. PATENT DOCUMENTS

D263,109 S	*	2/1982	Peterson	D34/6
4,376,520 A	*	3/1983	Wetherington	248/97
4,440,430 A	*	4/1984	Kruse	248/95
D275,807 S	*	10/1984	Peterson	D34/6

4,562,983 A	*	1/1986	Klefbeck	248/97
D294,994 S	*	3/1988	Burgett	D34/6
4,889,300 A	*	12/1989	Gibson et al.	248/97
4,901,959 A	*	2/1990	Stage	248/97
4,946,118 A	*	8/1990	Hastings	248/97
D351,268 S	*	10/1994	Kittredge	D34/5
D353,695 S	*	12/1994	Turner	D34/5
5,499,787 A	*	3/1996	Bonomo	248/97
D389,634 S	*	1/1998	Shope	D34/6
D422,390 S	*	4/2000	Chipman	D34/6
D422,391 S	*	4/2000	Whitlock	D34/6

* cited by examiner

Primary Examiner—Cynthia E. Ramirez

(74) *Attorney, Agent, or Firm*—John D. Gugliotta

(57) **CLAIM**

The ornamental design for a portable leaf bag holder, as shown and described.

DESCRIPTION

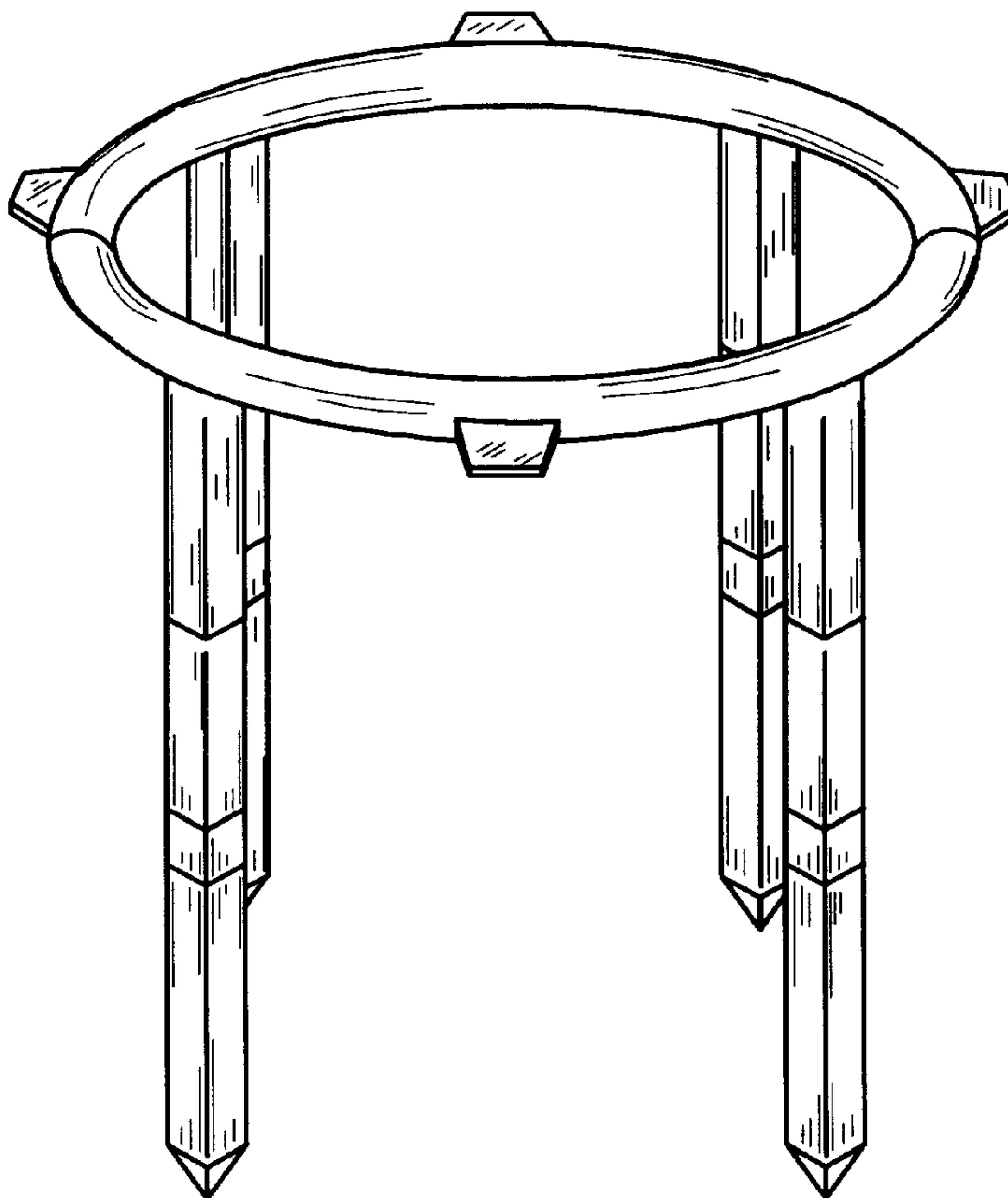
FIG. 1 is perspective view of a portable leaf bag holder showing our new design;

FIG. 2 is an exploded perspective view thereof;

FIG. 3 is a top plan view thereof; and,

FIG. 4 is a bottom plan view thereof.

1 Claim, 3 Drawing Sheets



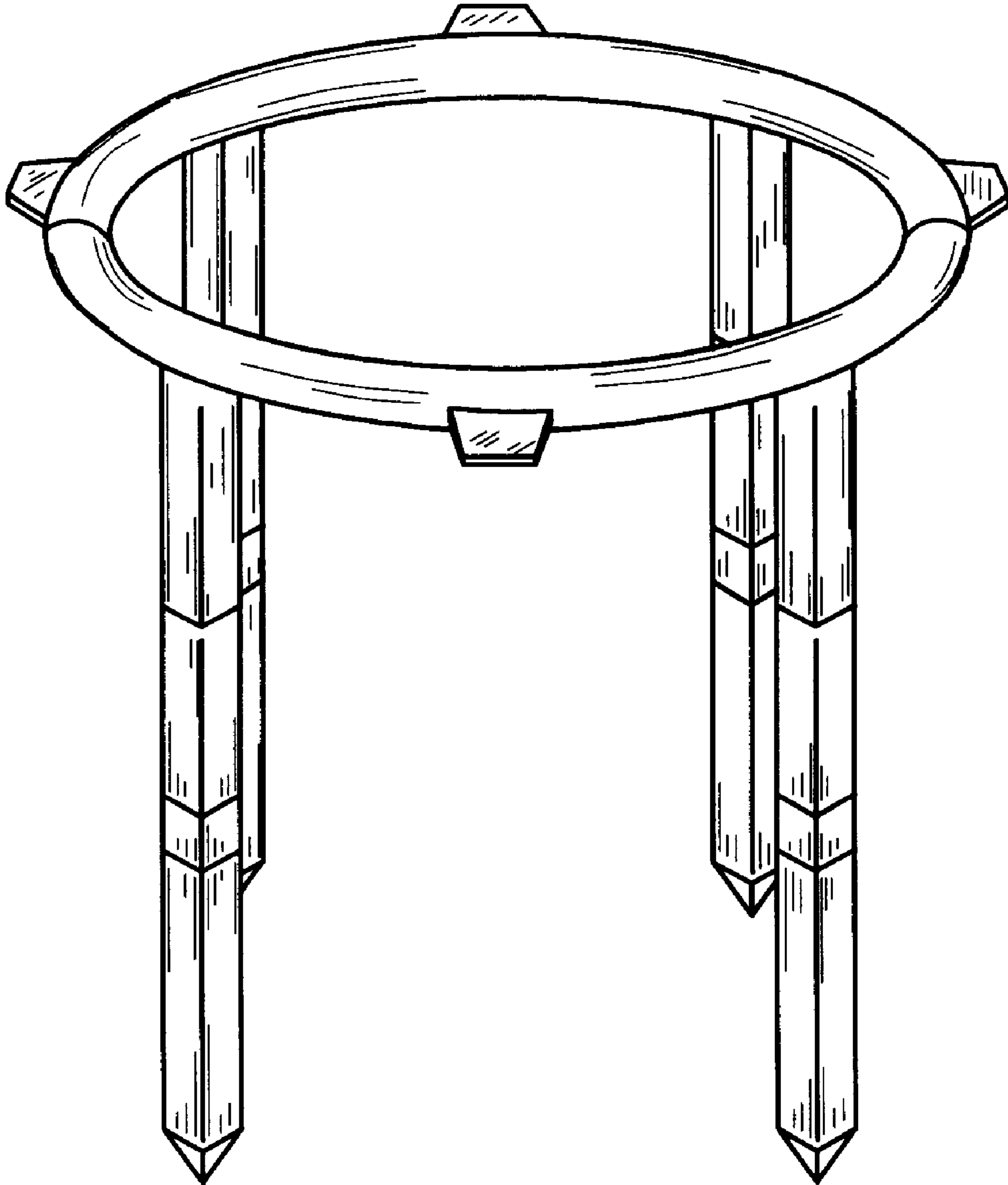


Figure 1

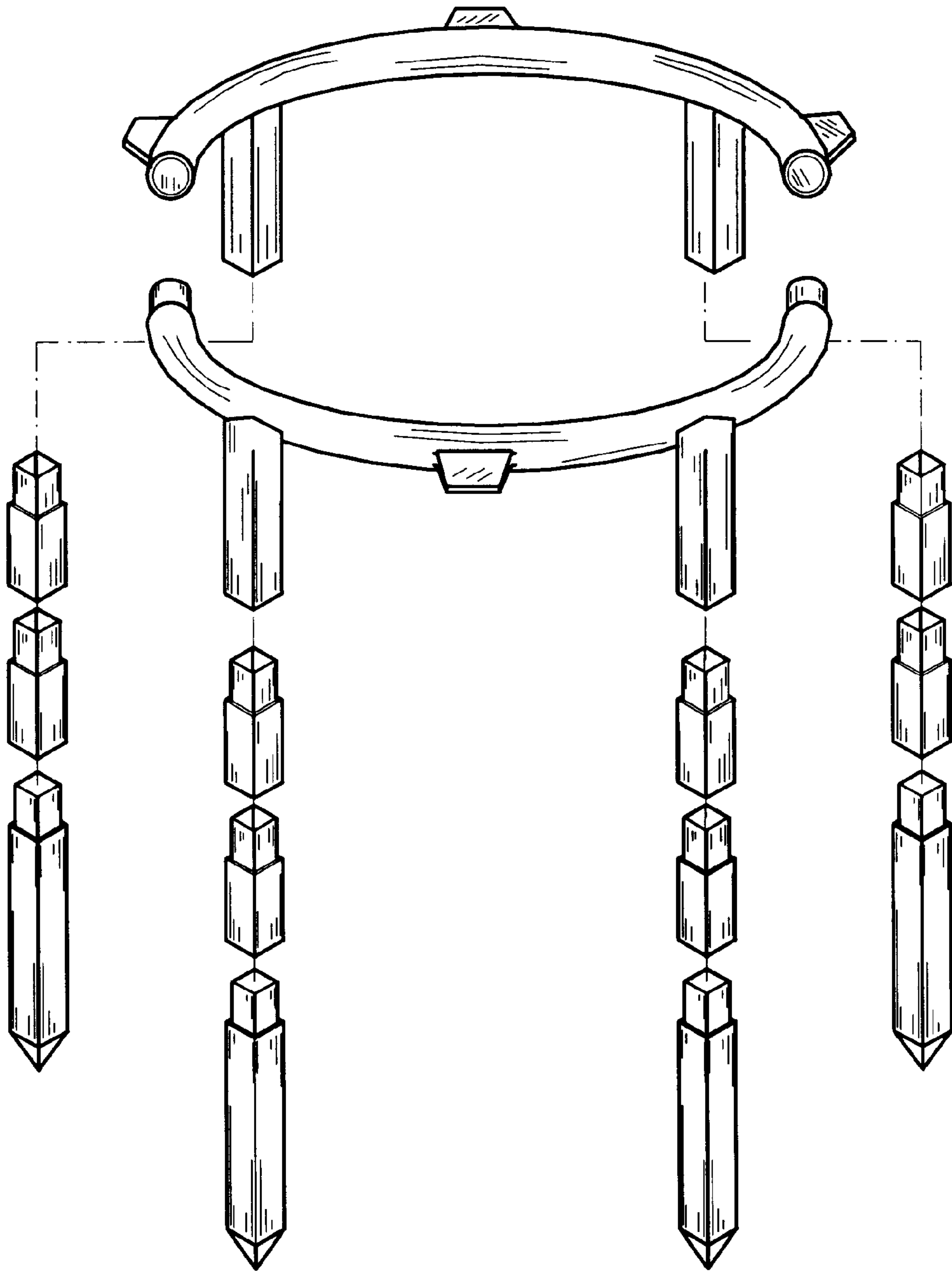


Figure 2

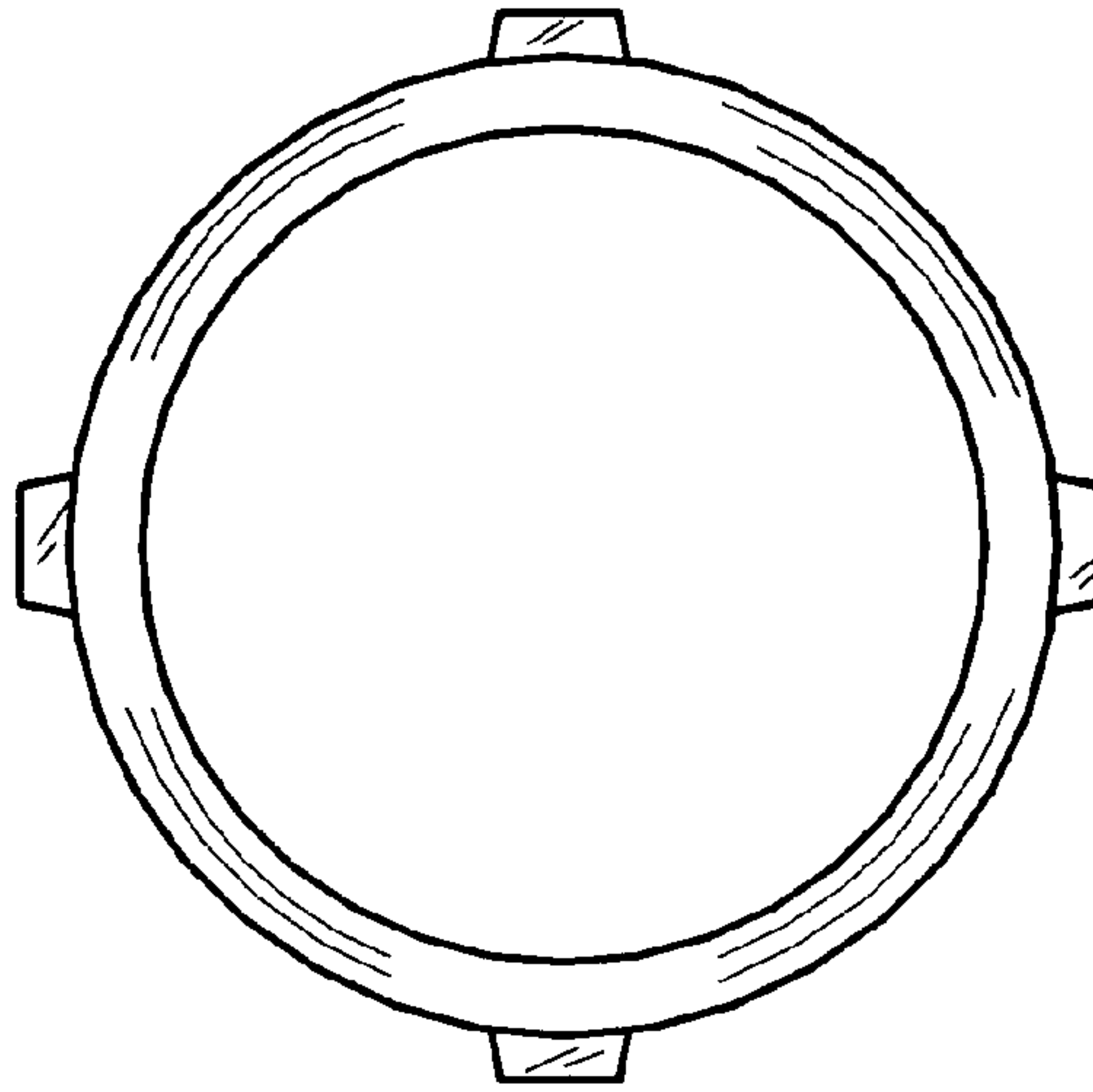


Figure 3

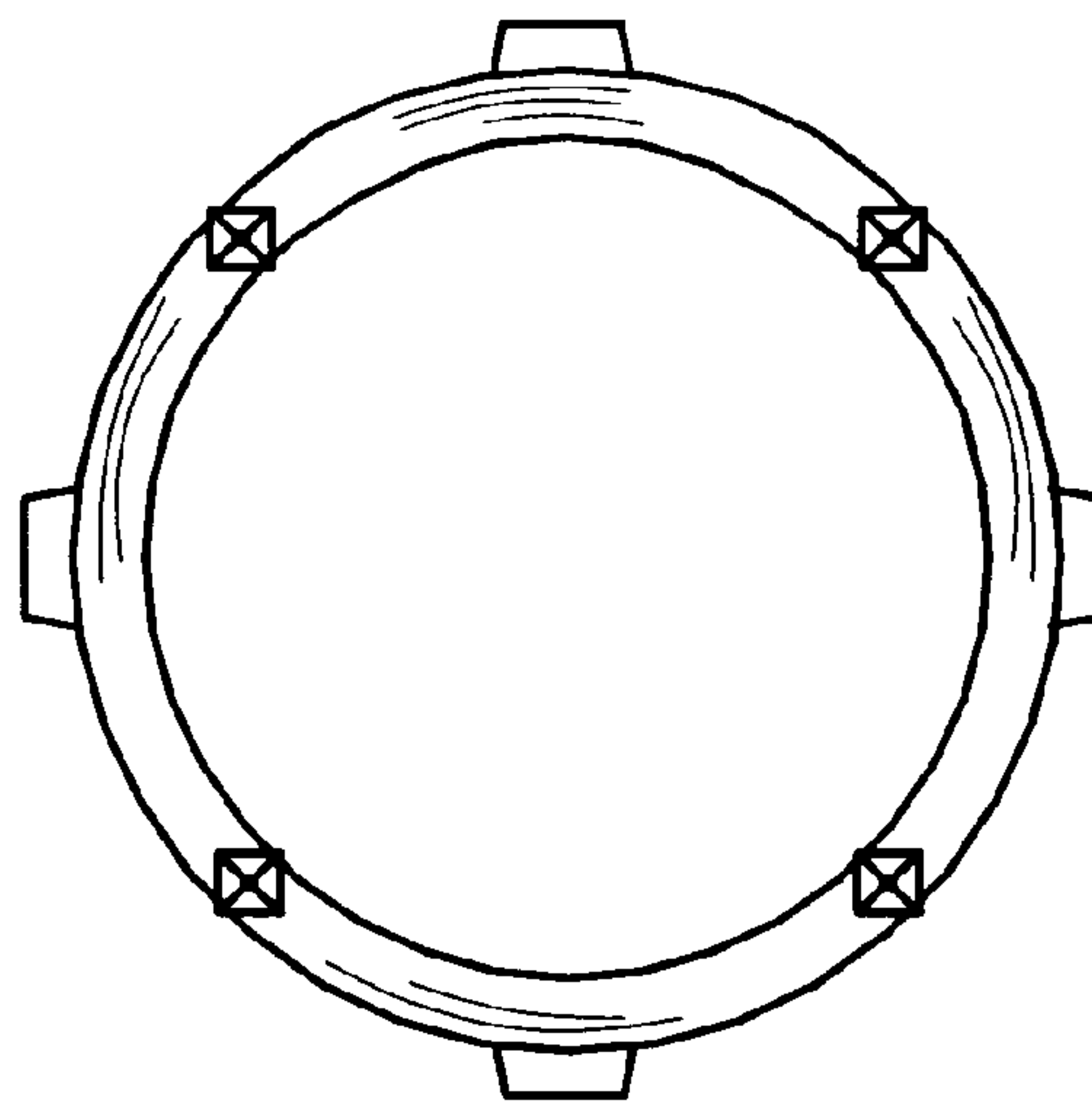


Figure 4