



US00D486616S

(12) **United States Design Patent**
Hall et al.

(10) **Patent No.: US D486,616 S**

(45) **Date of Patent: ** Feb. 10, 2004**

(54) **CLEANING SYSTEM**

(75) Inventors: **Michael J. Hall**, South San Francisco, CA (US); **James E. Rader**, Pleasanton, CA (US); **Robert W. Flagler**, Pleasanton, CA (US); **Scott T. Haubrich**, San Leandro, CA (US); **Karen S. Hefter**, San Ramon, CA (US); **Richard Porticos**, Los Altos, CA (US); **Gene Park**, Oakland, CA (US); **Douglas Minkler**, Livermore, CA (US); **David J. Sayler**, Portland, OR (US); **Eric Y. Park**, Portland, OR (US)

(73) Assignee: **The Clorox Company**, Oakland, CA (US)

(**) Term: **14 Years**

(21) Appl. No.: **29/140,155**

(22) Filed: **Apr. 11, 2001**

Related U.S. Application Data

(63) Continuation-in-part of application No. 09/689,433, filed on Oct. 11, 2000, now Pat. No. 6,540,424.

(51) **LOC (7) Cl. 04-01**

(52) **U.S. Cl. D32/45**

(58) **Field of Search D32/40, 45, 50, D32/51; 15/147.1, 147.2, 228, 231-233, 209.1, 210.1, 244.1, 244.2; 401/137-140, 261, 263, 268, 270, 188 R, 196, 205-207, 278, 279, 283, 290**

(56) **References Cited**

U.S. PATENT DOCUMENTS

D196,708 S	*	10/1963	Anderson	D32/45
3,123,851 A	*	3/1964	Arndt et al.	401/138
4,119,386 A	*	10/1978	Cushing	401/138
4,863,299 A	*	9/1989	Osberghaus et al.	401/138 X
D401,703 S		11/1998	Beechuk et al.		
5,888,006 A		3/1999	Ping et al.		
5,988,920 A	*	11/1999	Kunkler et al.	401/138
D428,226 S	*	7/2000	Kunkler	D32/45
6,101,661 A		8/2000	Policicchio et al.		
2002/0138934 A1	*	10/2002	Petner et al.	15/228 X

FOREIGN PATENT DOCUMENTS

DE		3940123	*	6/1990	A47L/13/26
FR		2735676	*	12/1996	A47L/13/26

* cited by examiner

Primary Examiner—Alan P. Douglas

Assistant Examiner—Lavone D. Tabor

(74) *Attorney, Agent, or Firm*—Ray K. Shahani, Esq.; Joel J. Hayashida, Esq.; Mike Mazza, Esq.

(57) **CLAIM**

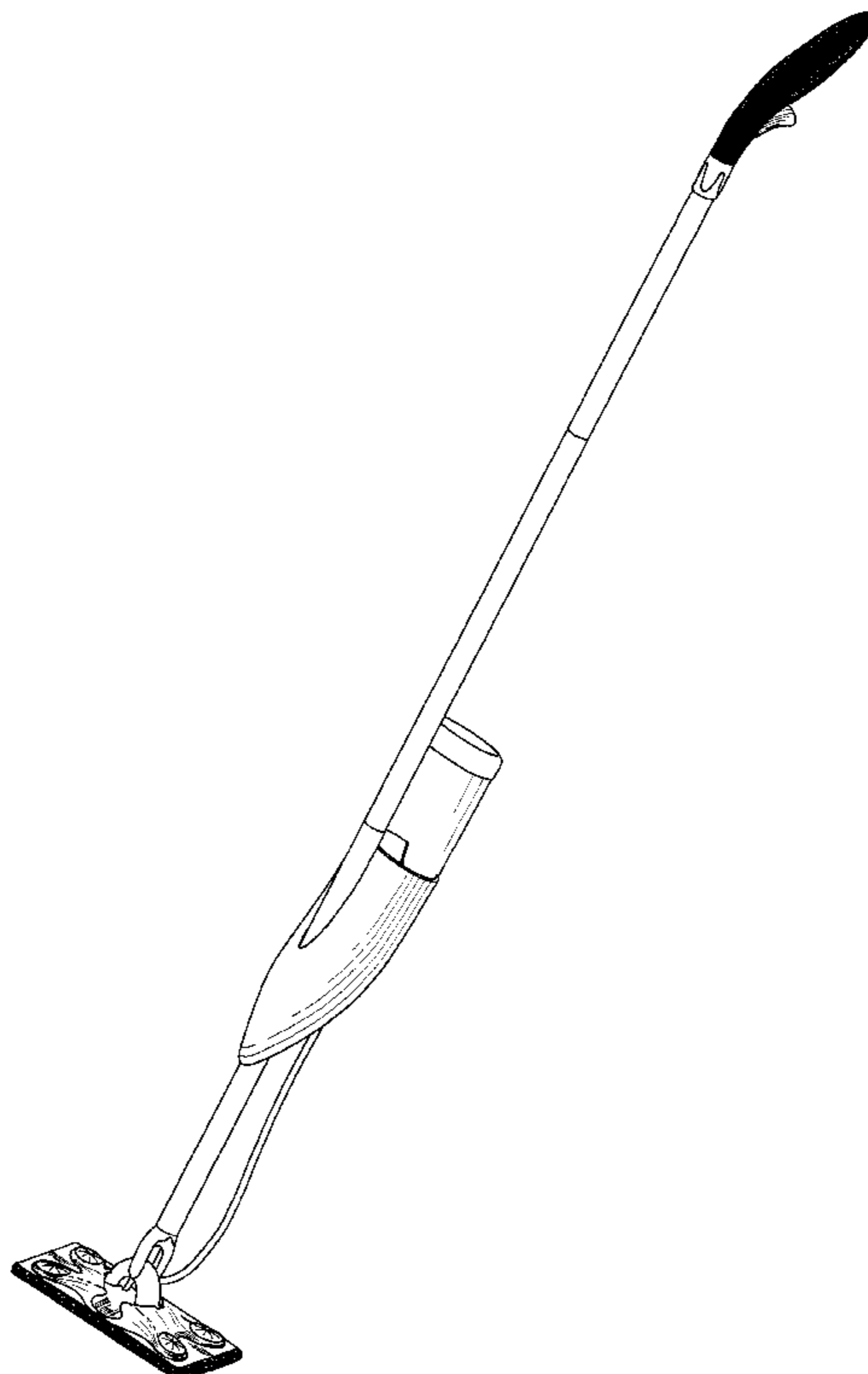
We claim the ornamental design for a cleaning system, as shown and described.

DESCRIPTION

FIG. 1 is a perspective view as seen from the front, upper and left side of cleaning system showing our new design; and,

FIG. 2 is a perspective view as seen from the front, upper and right side thereof.

1 Claim, 2 Drawing Sheets



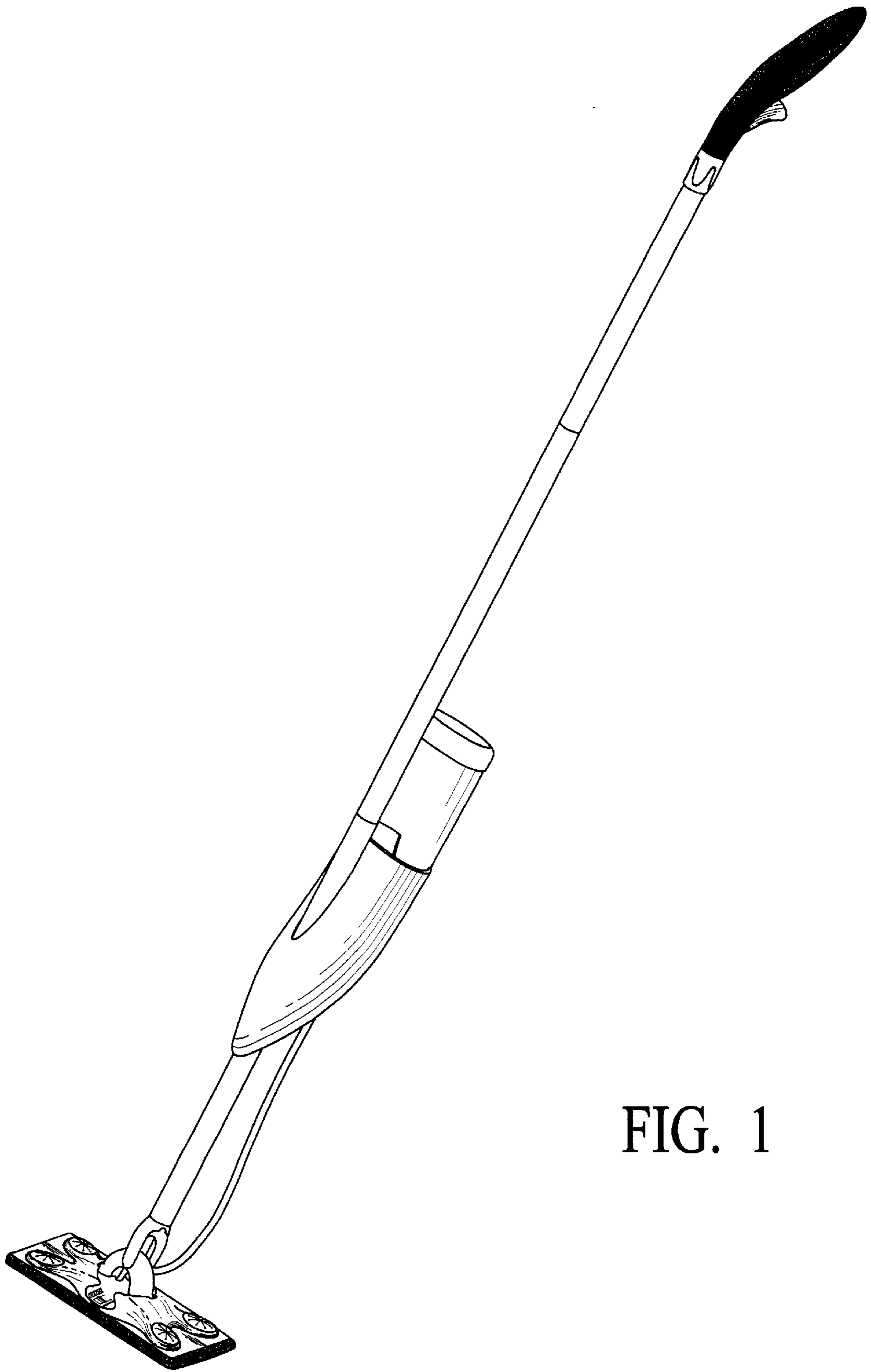


FIG. 1

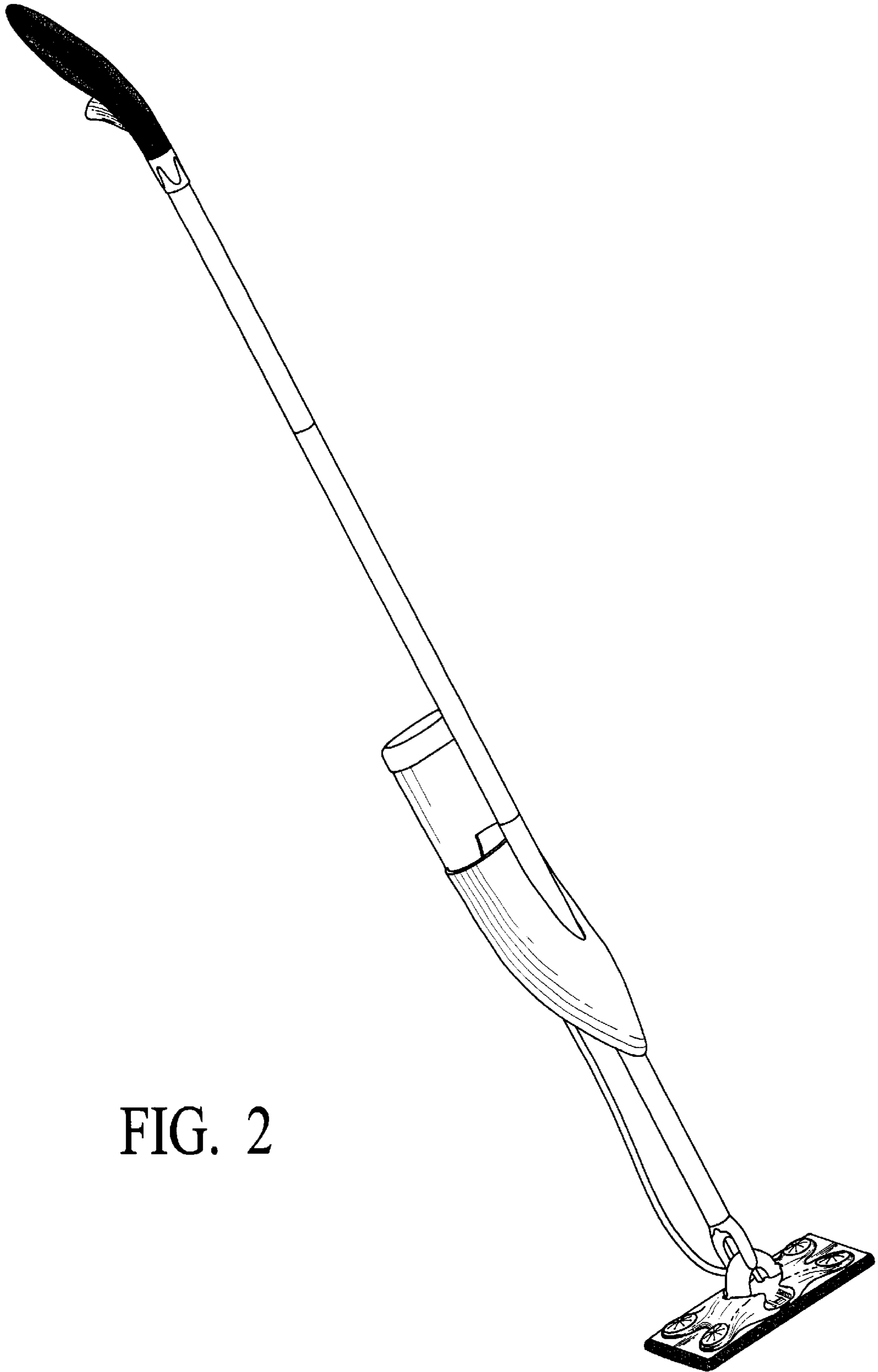


FIG. 2