



US00D486608S

(12) **United States Design Patent**  
**Cofield**

(10) **Patent No.: US D486,608 S**

(45) **Date of Patent: \*\* Feb. 10, 2004**

(54) **CASE FOR GRANULAR DEODORANT,  
DESICCANT AND THE LIKE**

D404,532 S \* 1/1999 Castagna ..... D28/77  
D452,939 S \* 1/2002 Lai ..... D28/77

(76) **Inventor: Gregory W. Cofield**, 1930 Manor Pl.,  
#3, Fairfield, CA (US) 94533

\* cited by examiner

*Primary Examiner*—Jennifer Rivard

(\*\*) **Term: 14 Years**

(57) **CLAIM**

(21) **Appl. No.: 29/178,107**

The ornamental design for a case for granular deodorant,  
desiccant and the like, as shown and described.

(22) **Filed: Mar. 20, 2003**

**DESCRIPTION**

(51) **LOC (7) Cl. .... 28-03**

(52) **U.S. Cl. .... D28/83**

(58) **Field of Search** ..... D28/76-79, 81-83;  
132/293-307, 314-316; 206/581, 823; D3/205,  
206

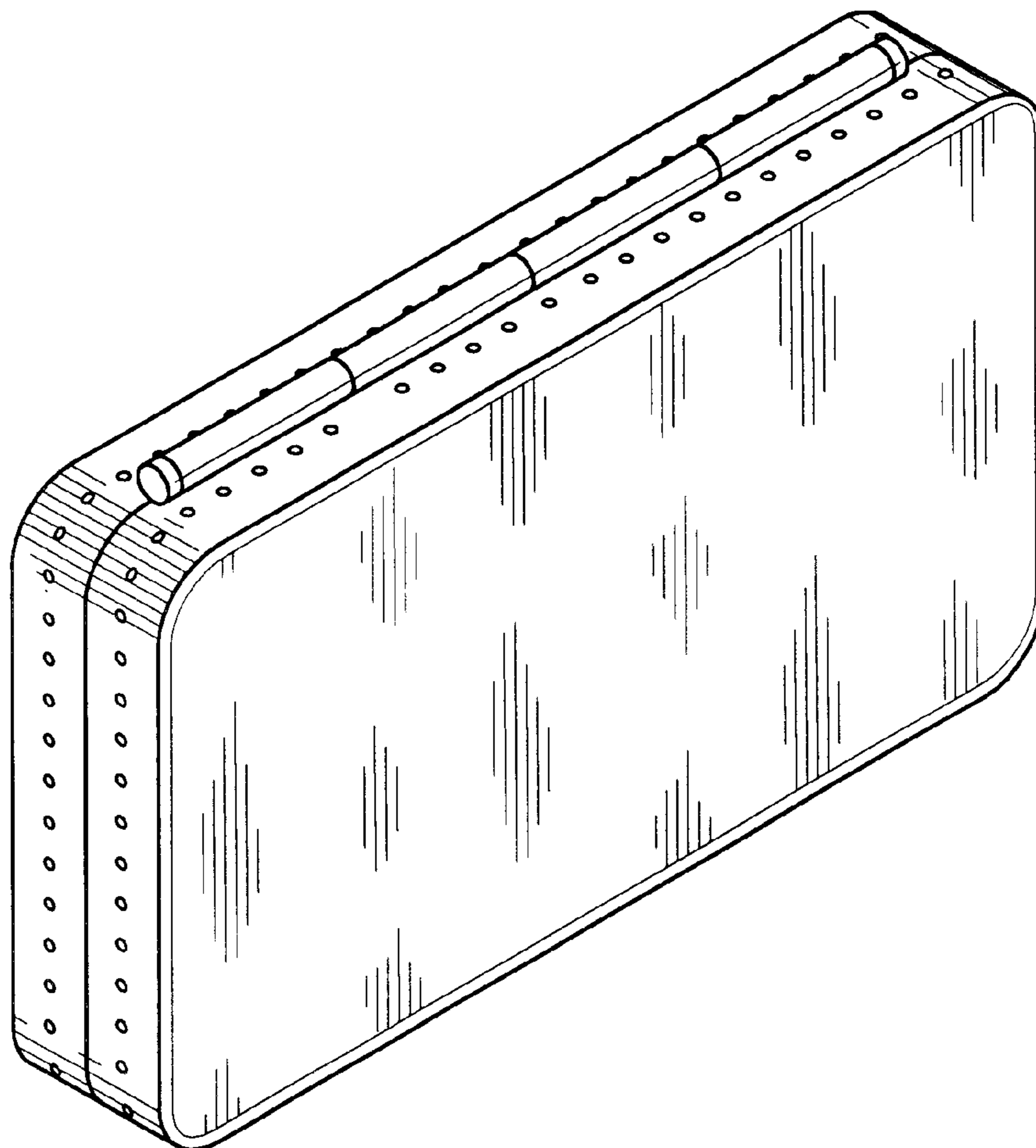
FIG. 1 is a front elevational view of a case for granular  
deodorant, desiccant and the like showing our new design;  
FIG. 2 is a rear elevational view thereof;  
FIG. 3 is a side view, taken from the left side of FIG. 1, the  
right side view being a mirror image thereof;  
FIG. 4 is a top plan view thereof;  
FIG. 5 is a bottom plan view thereof; and,  
FIG. 6 is a perspective view thereof.

(56) **References Cited**

**U.S. PATENT DOCUMENTS**

D340,353 S \* 10/1993 Benarrouch ..... D28/83  
D352,601 S \* 11/1994 Dallaire ..... D28/78  
D373,221 S \* 8/1996 Lai ..... D28/83

**1 Claim, 3 Drawing Sheets**



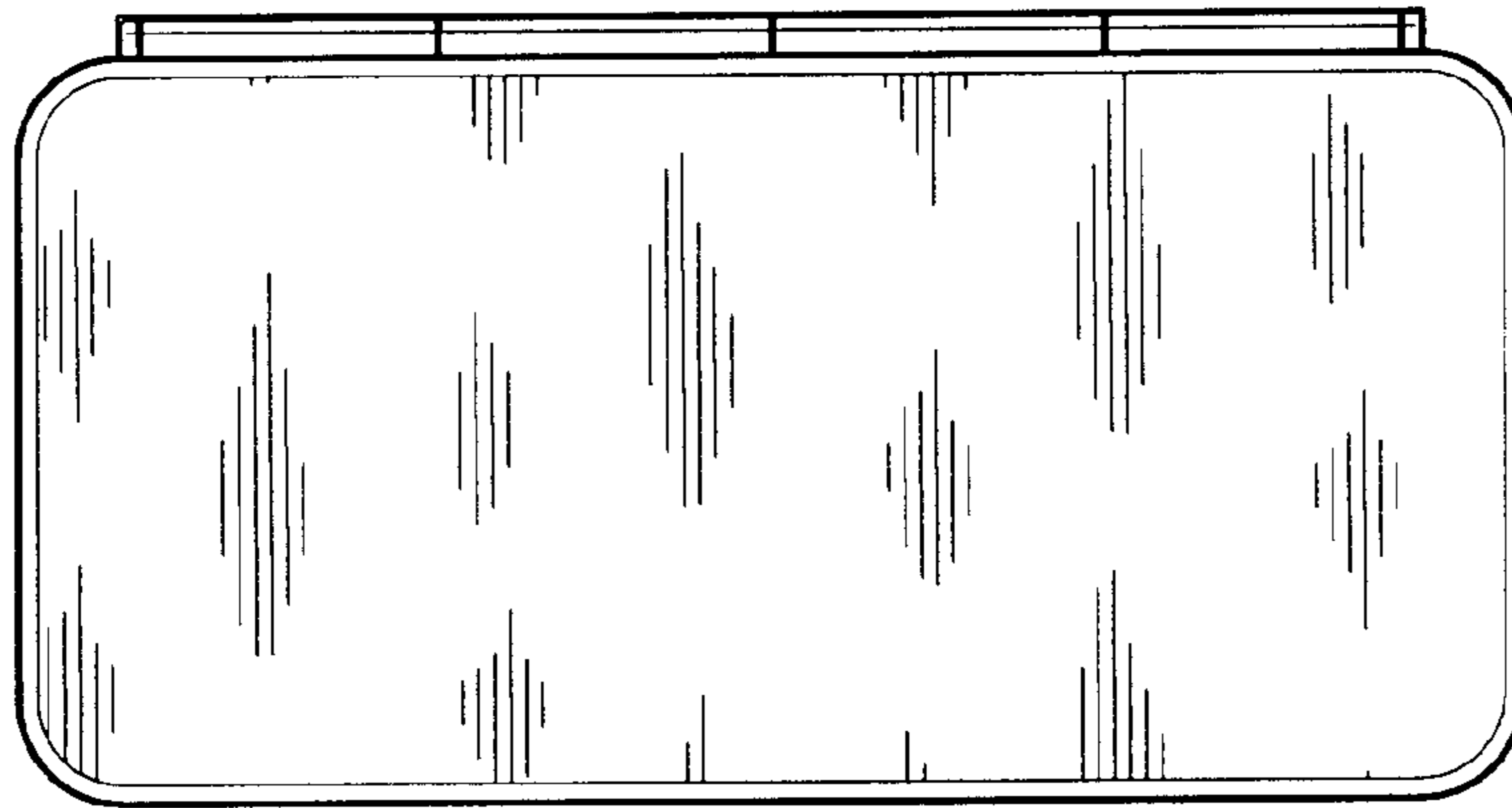


FIG. 1

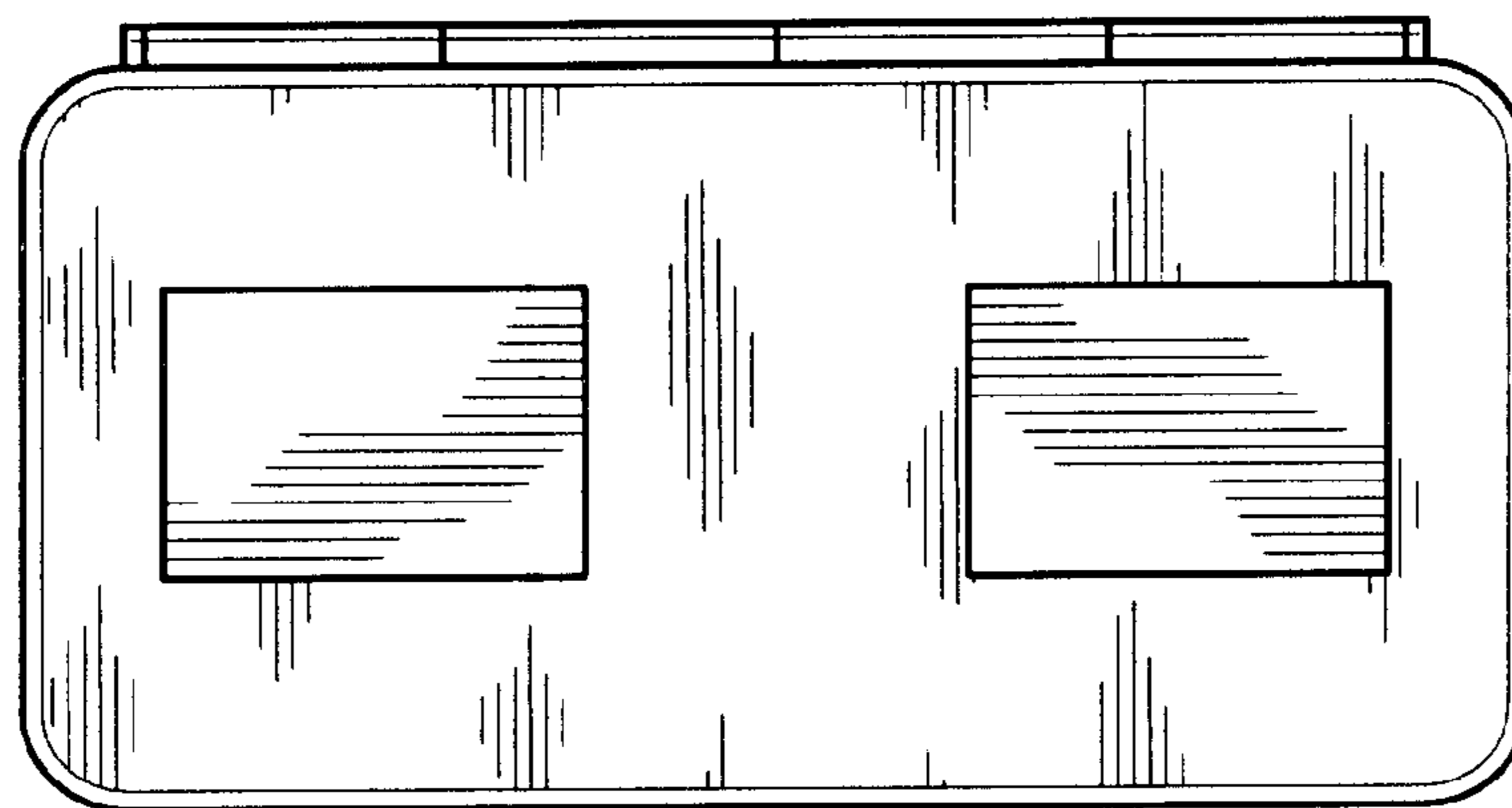


FIG. 2

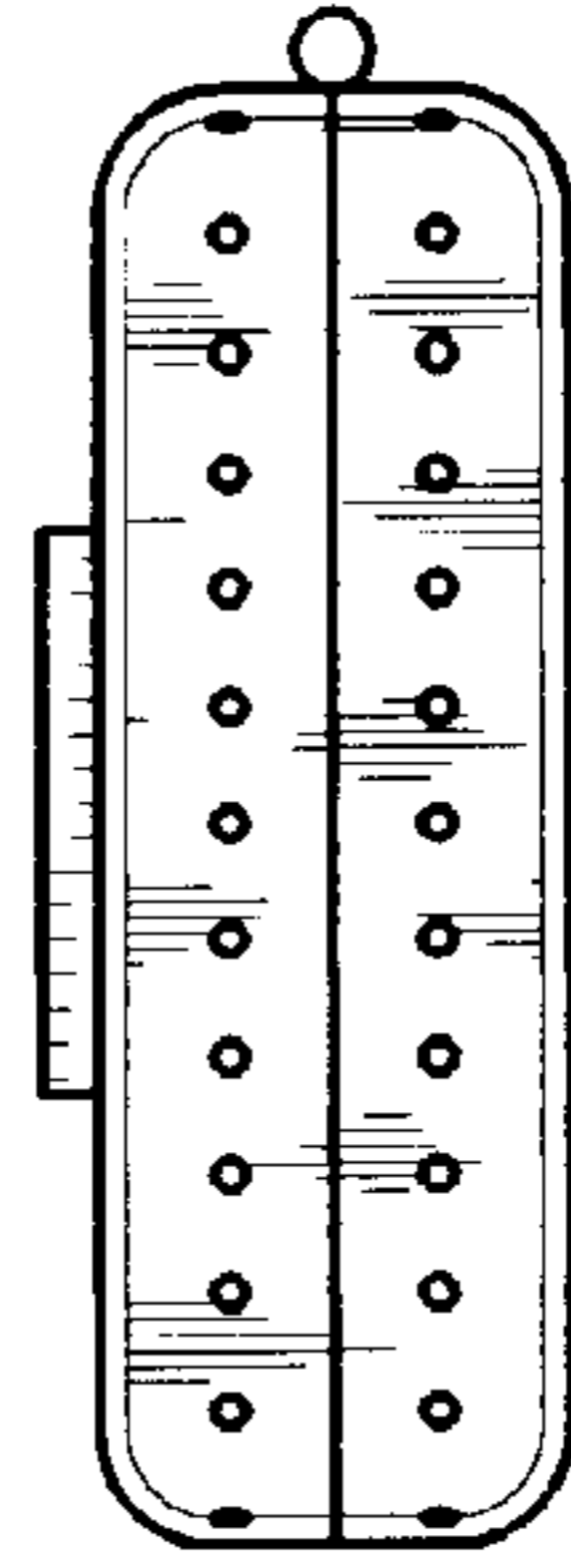


FIG. 3

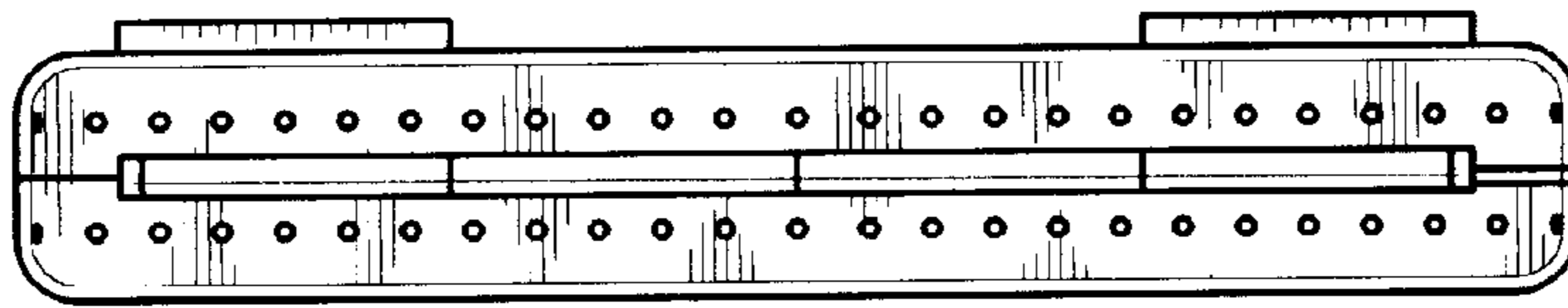


FIG. 4

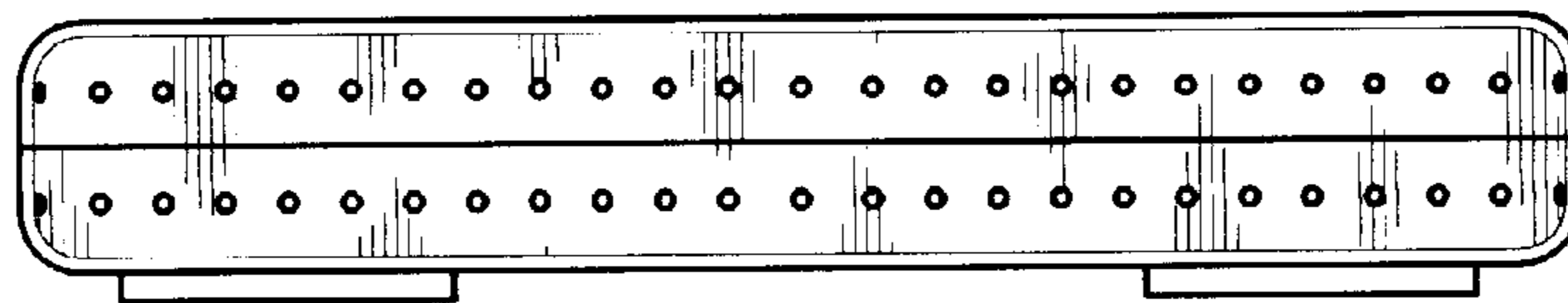


FIG. 5

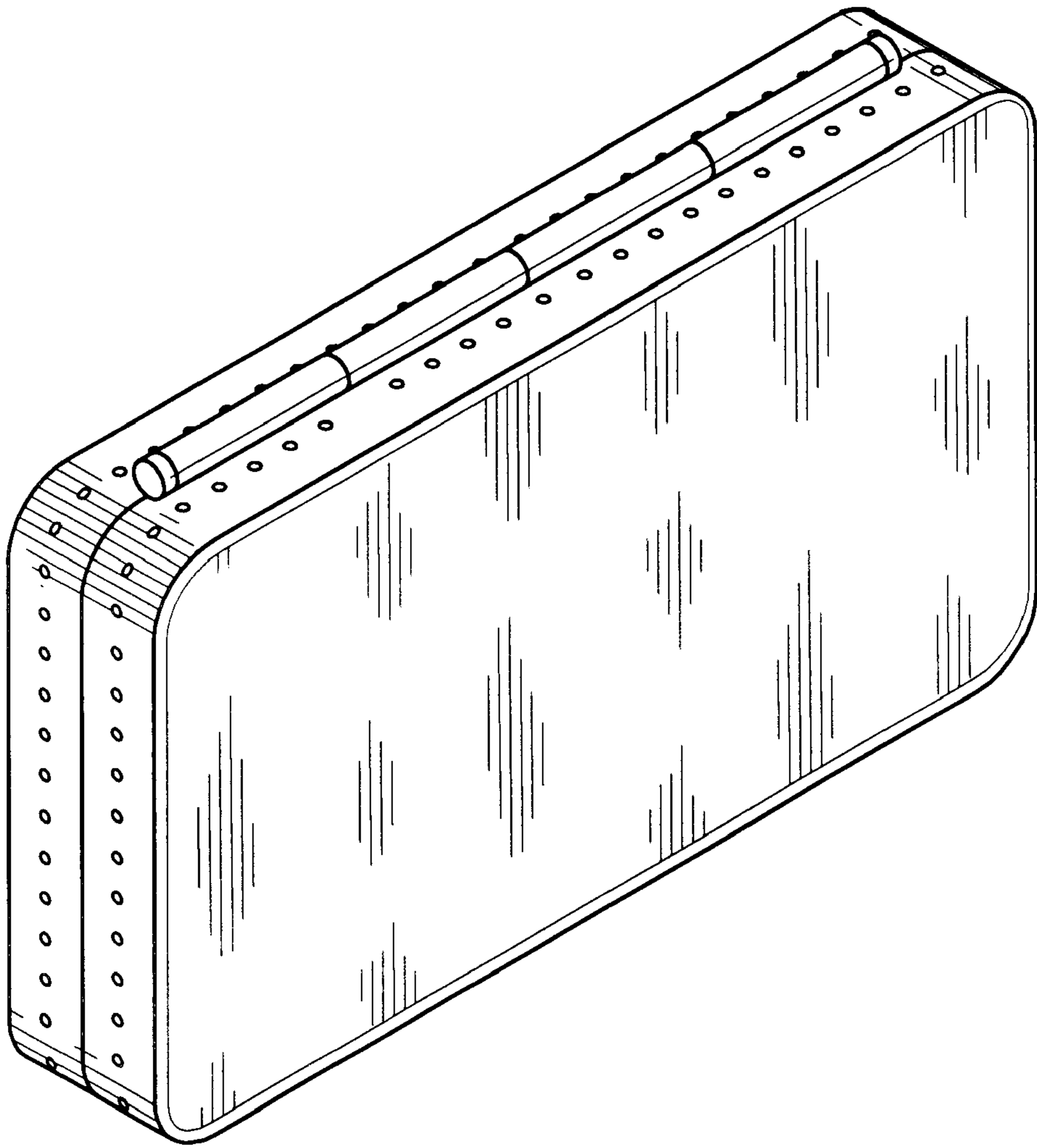


FIG.6