



US00D486605S

(12) **United States Design Patent**
Walker et al.

(10) **Patent No.: US D486,605 S**

(45) **Date of Patent: ** *Feb. 10, 2004**

(54) **HAIR CLIP**

(75) Inventors: **Lindsey J. Walker**, London (GB);
Shelley-Anne Salisbury, London (GB)

(73) Assignee: **Linshell Holdings, Limited**, London (GB)

(*) Notice: This patent is subject to a terminal disclaimer.

(**) Term: **14 Years**

(21) Appl. No.: **29/172,693**

(22) Filed: **Dec. 17, 2002**

(30) **Foreign Application Priority Data**

Dec. 12, 2002 (GB) 3009412

(51) **LOC (7) Cl.** **28-03**

(52) **U.S. Cl.** **D28/40**

(58) **Field of Search** D28/40, 39, 41,
D28/42, 43, 29, 32; 132/277, 273-284,
231, 234, 252, 260, 138, 133; D8/395

(56) **References Cited**

U.S. PATENT DOCUMENTS

D210,860 S * 4/1968 Schellens D28/40
D410,302 S * 5/1999 Yasuda D28/40

5,975,092 A * 11/1999 Tsai 132/275
5,988,184 A * 11/1999 Shu 132/277
6,135,125 A * 10/2000 Sartena 132/275
6,142,159 A * 11/2000 Lloyd 132/278
6,186,151 B1 * 2/2001 Newlin 132/273

* cited by examiner

Primary Examiner—Lucy Lieberman

(74) *Attorney, Agent, or Firm*—Dickstein Shapiro Morin & Oshinsky, LLP

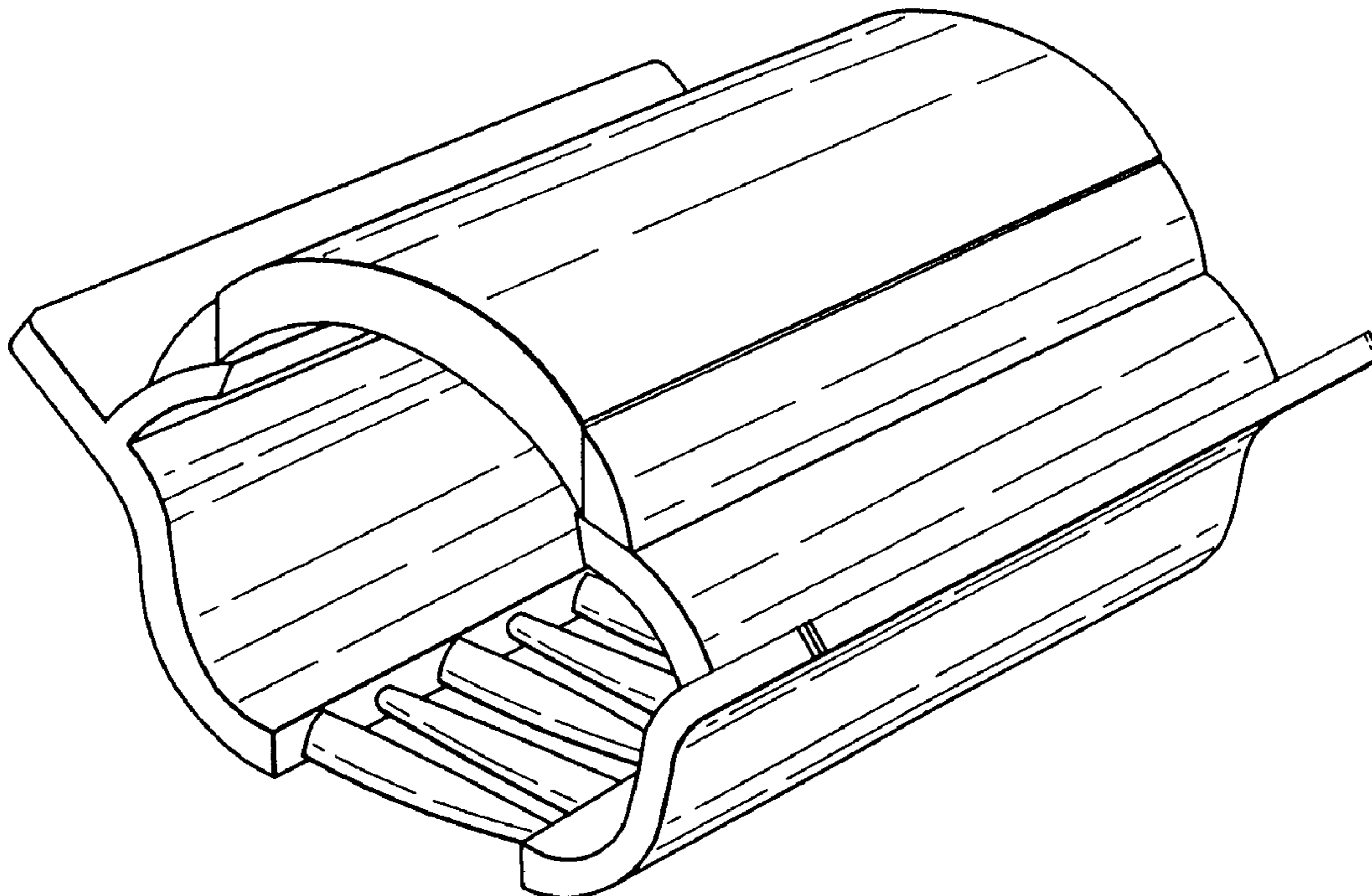
(57) **CLAIM**

The ornamental design for a hair clip, as shown and described.

DESCRIPTION

FIG. 1 is an end view of a hair clip of the present invention, the opposite end is the same;
FIG. 2 is a side elevation of the hair clip of the present invention, the opposite side elevation is the same;
FIG. 3 is a top plan view of the hair clip of the present invention;
FIG. 4 is a bottom plan view of the hair clip of the present invention;
FIG. 5 is a top perspective view of the hair clip of the present invention; and,
FIG. 6 is a bottom perspective view of the hair clip of the present invention.

1 Claim, 2 Drawing Sheets



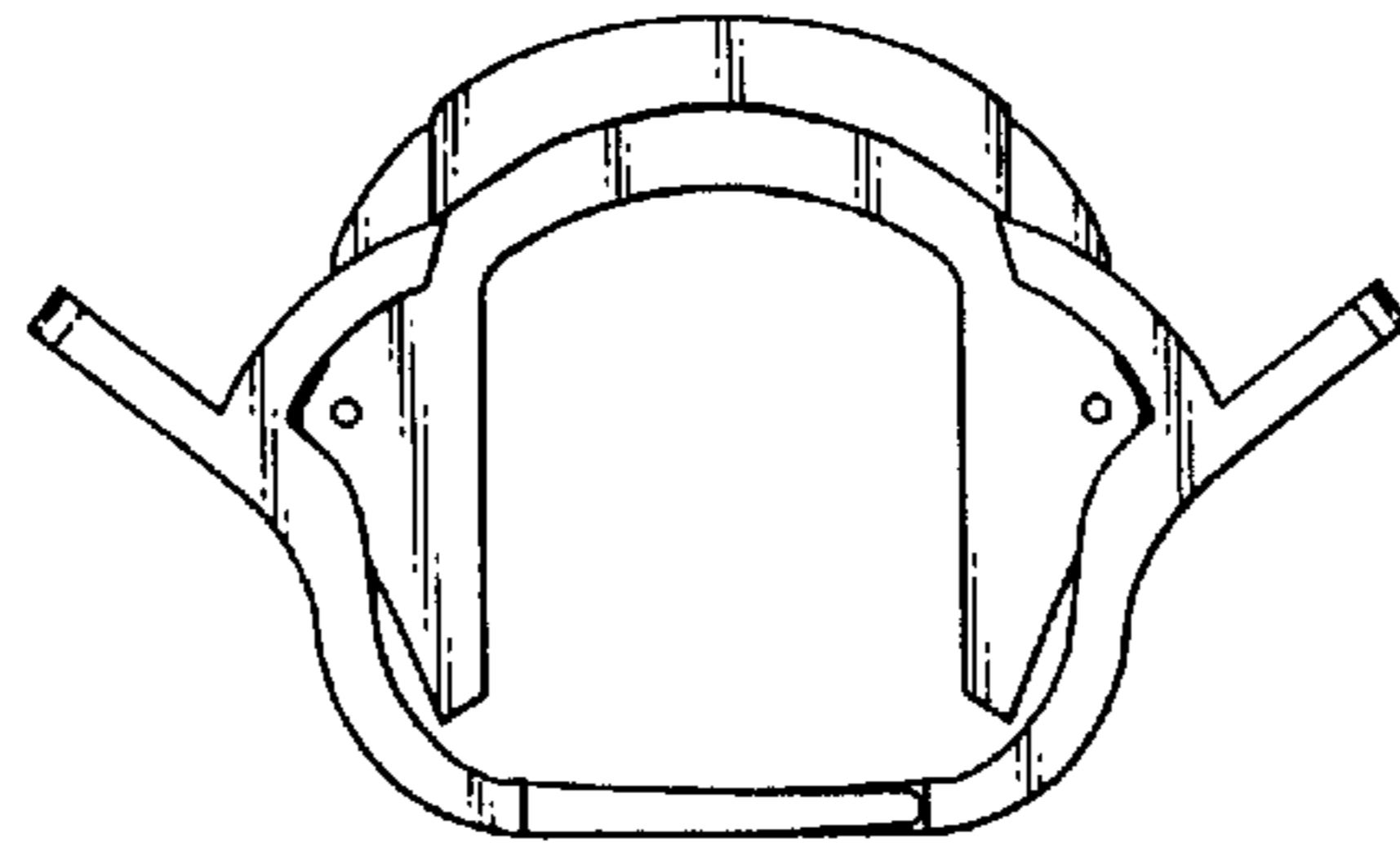


Fig. 1

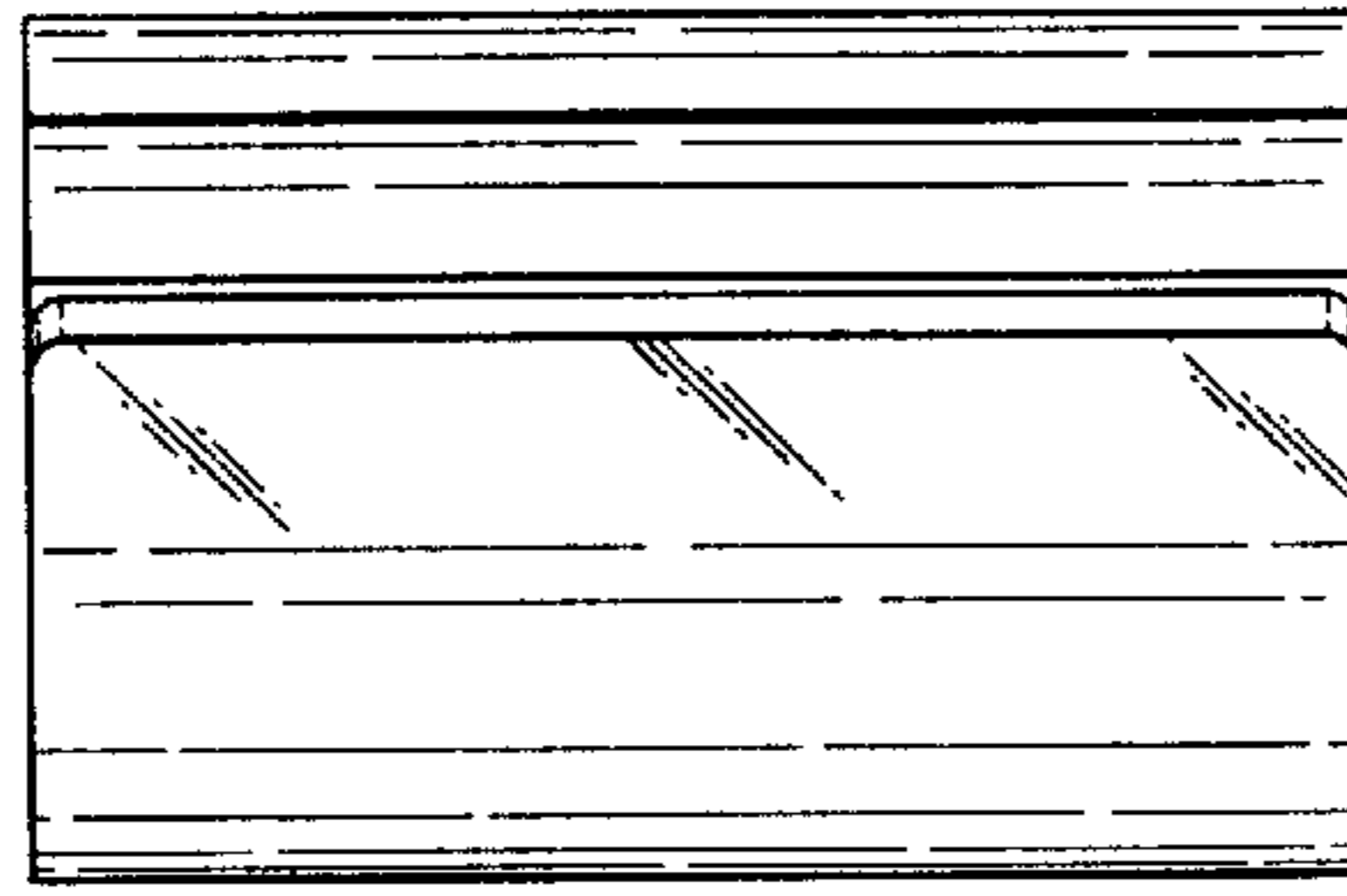


Fig. 2

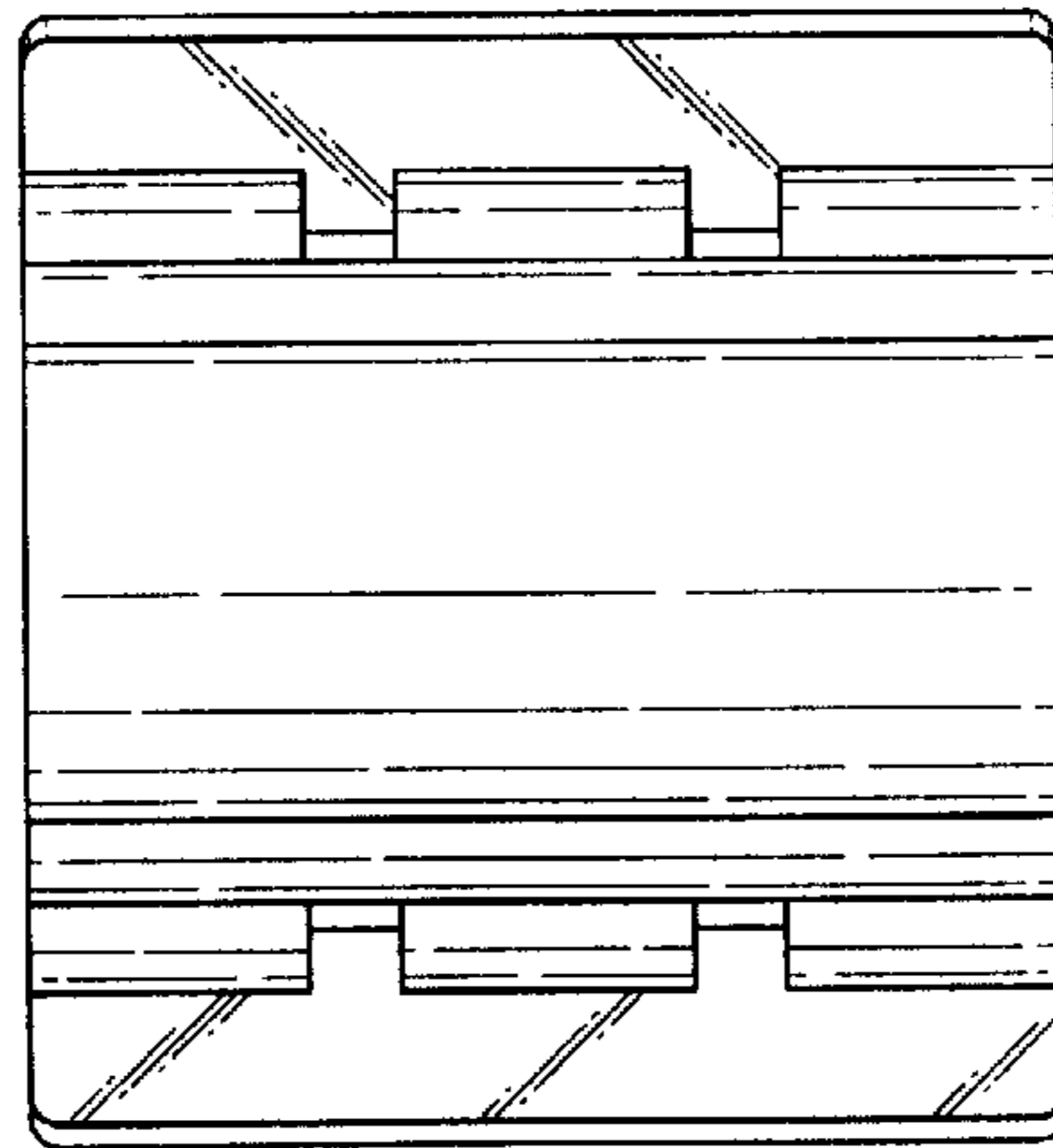


Fig. 3

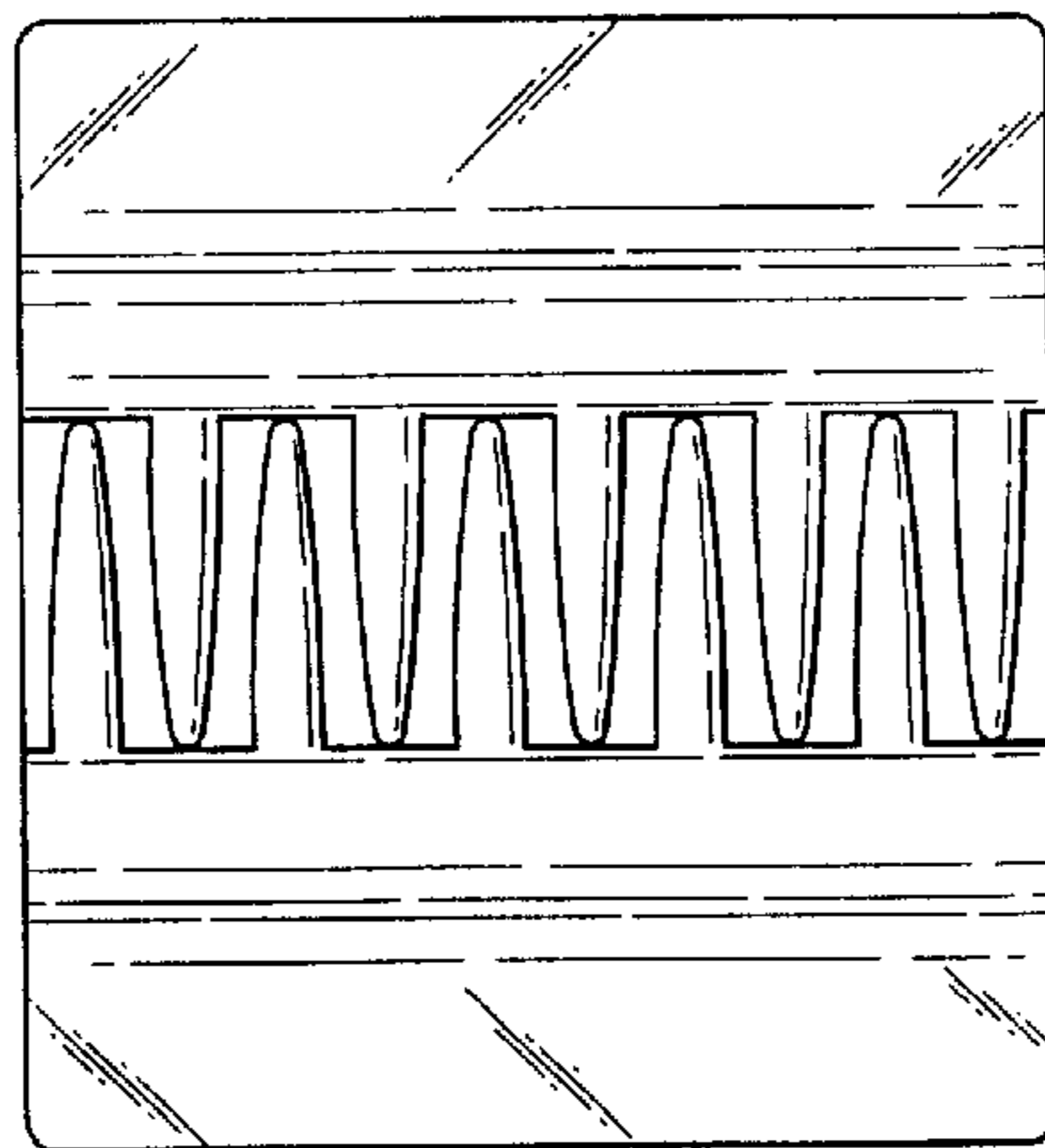


Fig. 4

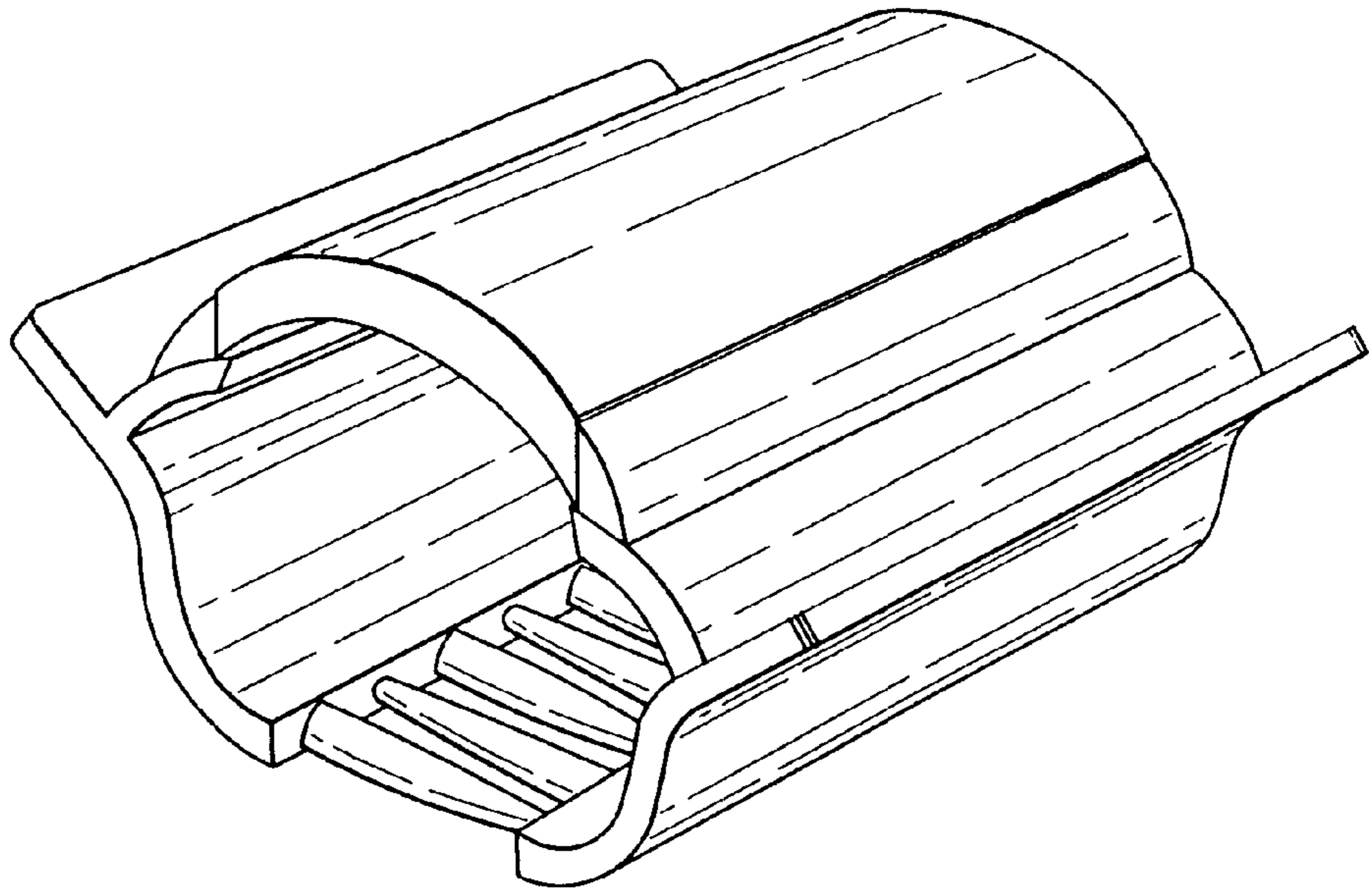


Fig. 5

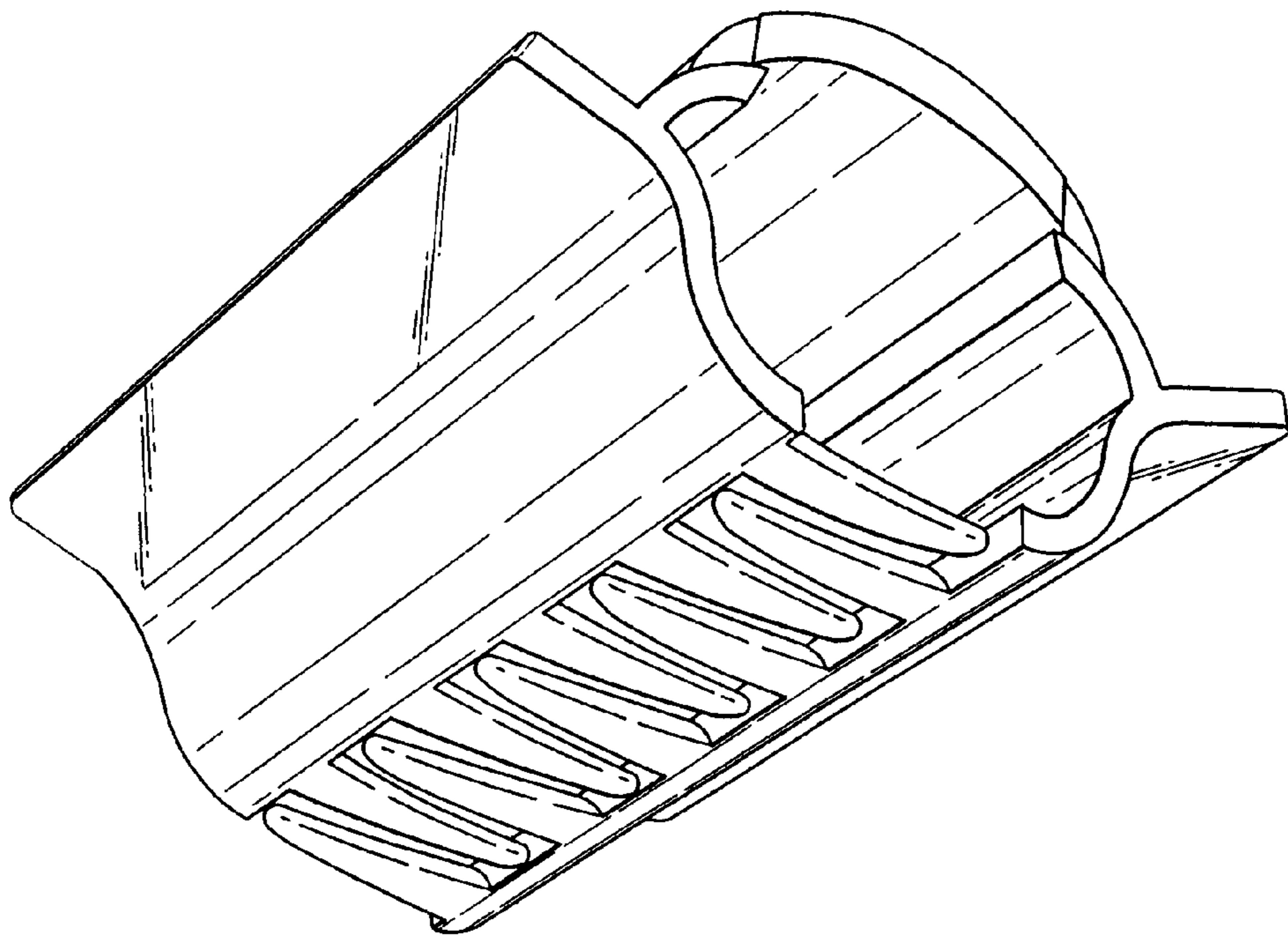


Fig. 6