



US00D486602S

(12) **United States Design Patent**
Hines et al.

(10) **Patent No.:** **US D486,602 S**

(45) **Date of Patent:** **** Feb. 10, 2004**

(54) **EXTERIOR TRACK ASSEMBLY HAVING
SLIDABLY ADJUSTABLE MOUNTS FOR
DECORATIVE LIGHTS**

(76) Inventors: **Elton Hines**, 2130 W. Crawford St.,
Forrest City, AR (US) 72335; **Alvirgil
Hines**, 2130 W. Crawford St., Forrest
City, AR (US) 72335

(**) Term: **14 Years**

(21) Appl. No.: **29/156,068**

(22) Filed: **Feb. 25, 2002**

(51) **LOC (7) Cl.** **26-99**

(52) **U.S. Cl.** **D26/138; D13/134**

(58) **Field of Search** 362/250, 238,
362/391, 396, 249; 439/110, 119, 121;
D13/134; D26/138

(56) **References Cited**

U.S. PATENT DOCUMENTS

- 4,678,257 A 7/1987 Ahroni
- 4,901,212 A 2/1990 Prickett
- 4,999,755 A * 3/1991 Lin 362/250
- 5,067,061 A 11/1991 Prickett
- D344,262 S * 2/1994 Bray D13/134

- 5,388,802 A 2/1995 Dougan et al.
- 5,902,148 A 5/1999 O'Rourke
- 6,019,494 A * 2/2000 Lee 362/249
- 6,050,703 A * 4/2000 Herbert 362/250
- D452,581 S * 12/2001 Zakrzewski et al. D26/138
- 6,485,161 B1 * 11/2002 Whitaker et al. 362/249

* cited by examiner

Primary Examiner—Jennifer Rivard

(74) *Attorney, Agent, or Firm*—Donald R. Schoonover

(57) **CLAIM**

I claim the ornamental design for exterior track assembly having slidably adjustable mounts for decorative lights, as shown and described.

DESCRIPTION

FIG. 1 is a perspective view of an exterior track assembly having slidably adjustable mounts for decorative lights embodying the design of the present invention.

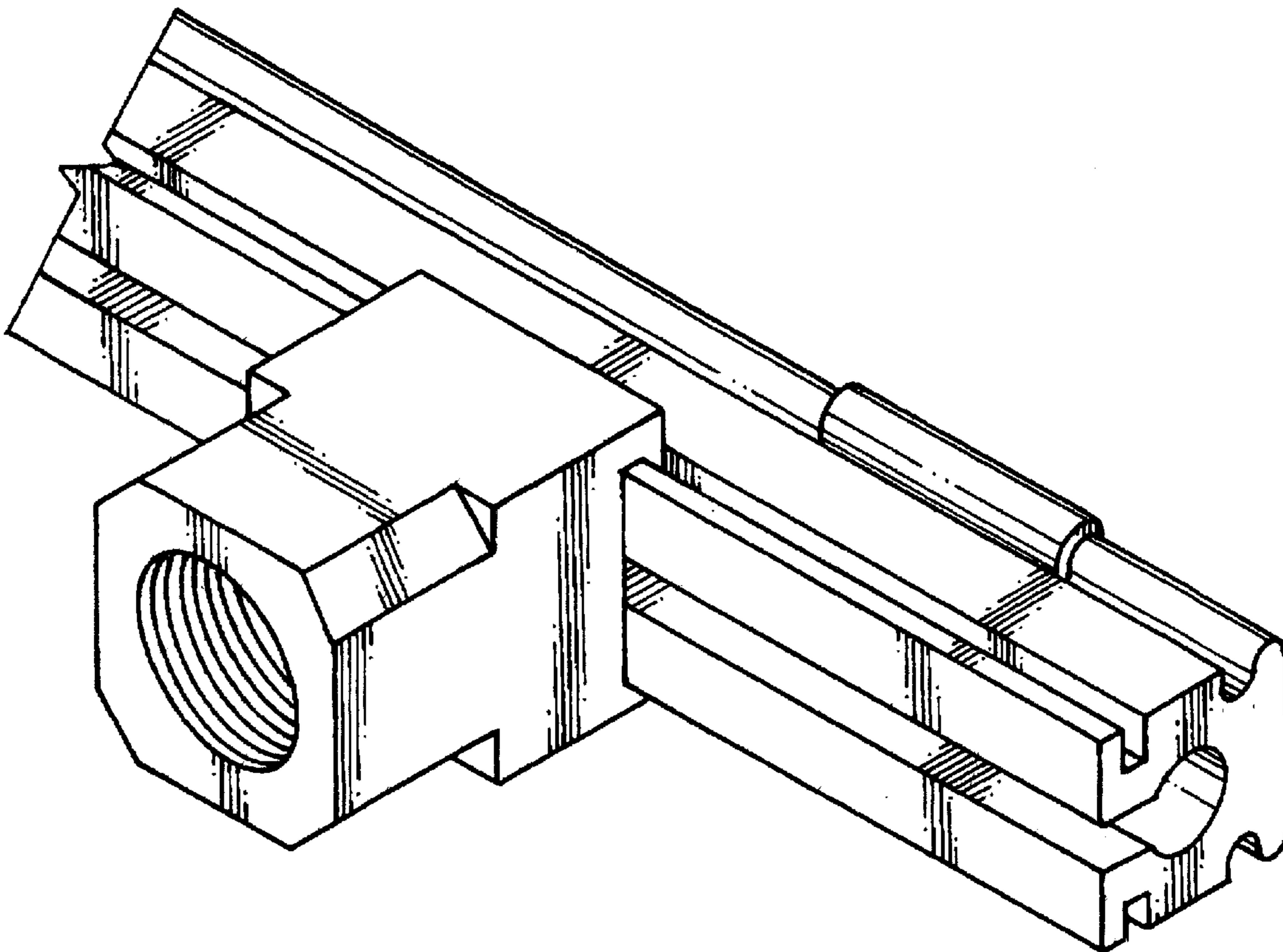
FIG. 2 is a front elevational view thereof;

FIG. 3 is a rear elevational view thereof;

FIG. 4 is a left side elevational view thereof, the right side elevational view being a mirror image thereof; and,

FIG. 5 is a top plan view thereof.

1 Claim, 3 Drawing Sheets



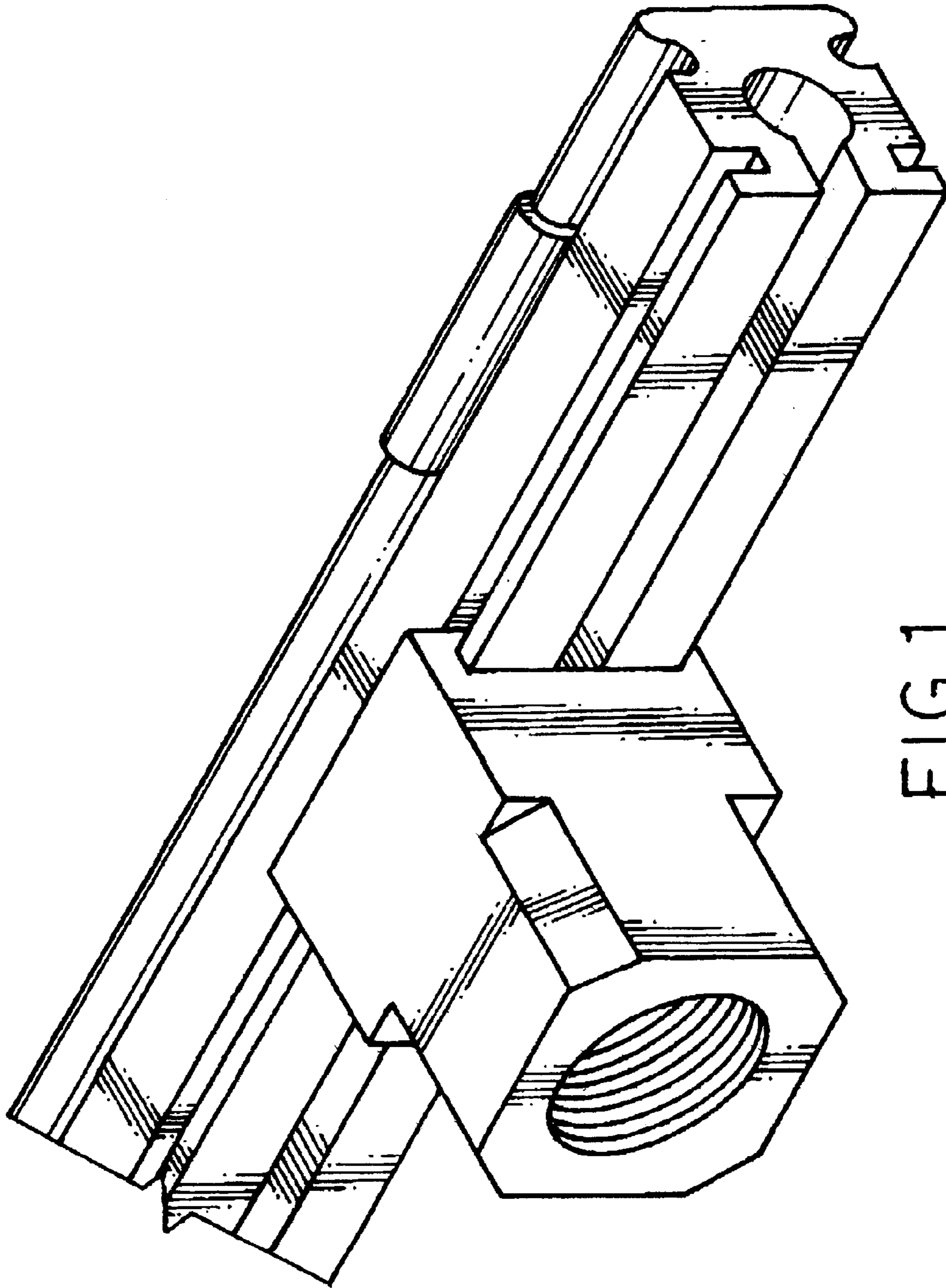


FIG.1.

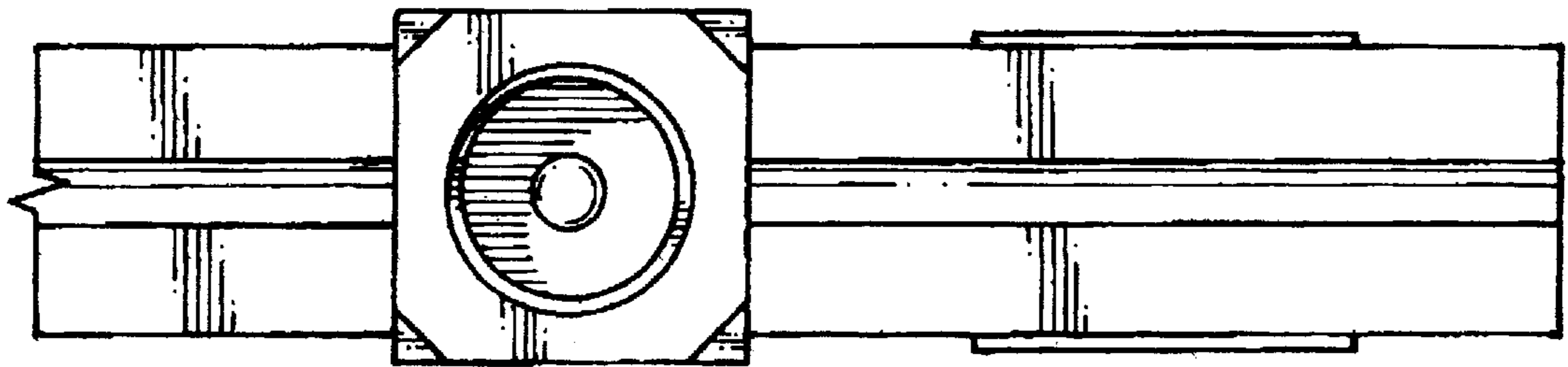


FIG. 2.

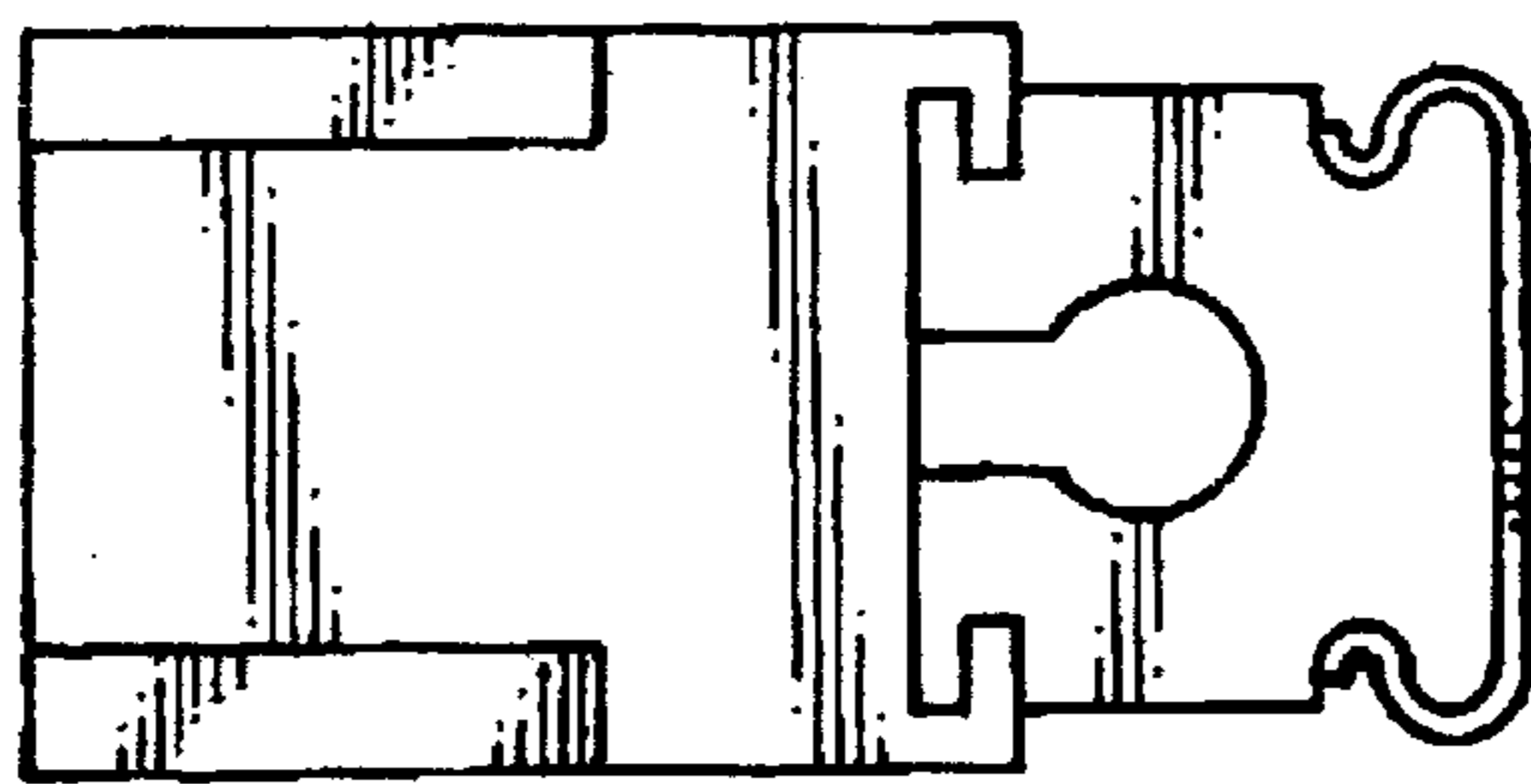


FIG. 4.

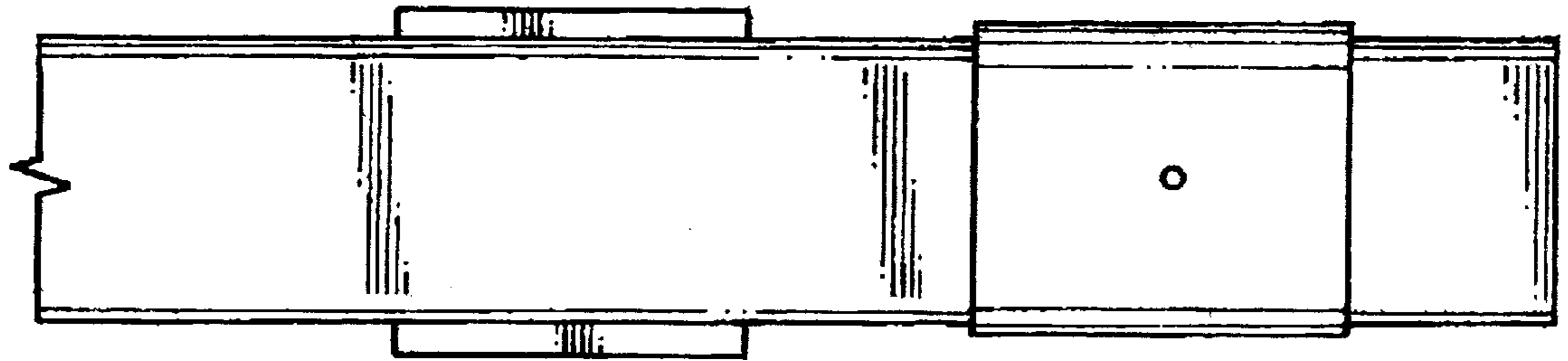


FIG. 3.

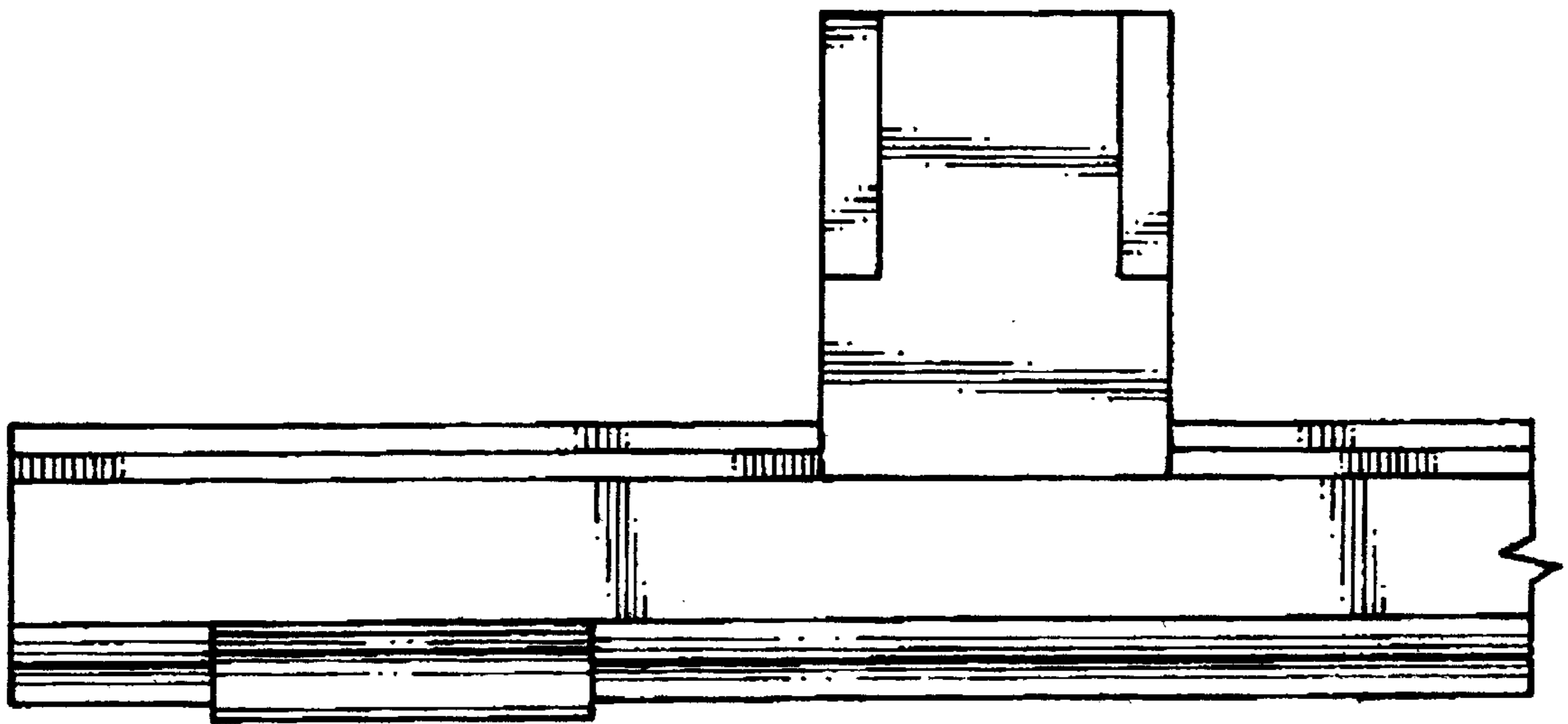


FIG. 5.