



US00D486599S

(12) **United States Design Patent**
Bayat et al.

(10) **Patent No.:** **US D486,599 S**

(45) **Date of Patent:** **** Feb. 10, 2004**

(54) **HALOGEN LAMP AND SUPPORT ASSEMBLY**

(76) Inventors: **Bijan Bayat**, 10425 N. Plano Rd.,
Dallas, TX (US) 75238-1355; **Michael
Quan Dinh**, 3200 Breton Dr., Plano,
TX (US) 75025

(**) Term: **14 Years**

(21) Appl. No.: **29/171,760**

(22) Filed: **Nov. 27, 2002**

(51) **LOC (7) Cl.** **26-05**

(52) **U.S. Cl.** **D26/63**

(58) **Field of Search** D26/60-66, 93,
D26/102-112; 362/269, 277, 279, 282,
285, 287, 289, 290, 410-414

(56) **References Cited**

U.S. PATENT DOCUMENTS

5,493,484 A	*	2/1996	Osteen et al.	362/410
D380,568 S	*	7/1997	Landy	D26/63
D403,455 S	*	12/1998	Duennes	D26/63 X
5,984,490 A	*	11/1999	Leen	362/410 X
D449,398 S	*	10/2001	Tsao	D26/63

OTHER PUBLICATIONS

Taiwan Lighting Nov. 1999, lamp No. CQ-500DF on p. 172.*

* cited by examiner

Primary Examiner—Alan P. Douglas

Assistant Examiner—Linda Brooks

(74) *Attorney, Agent, or Firm*—Richard L. Schwartz

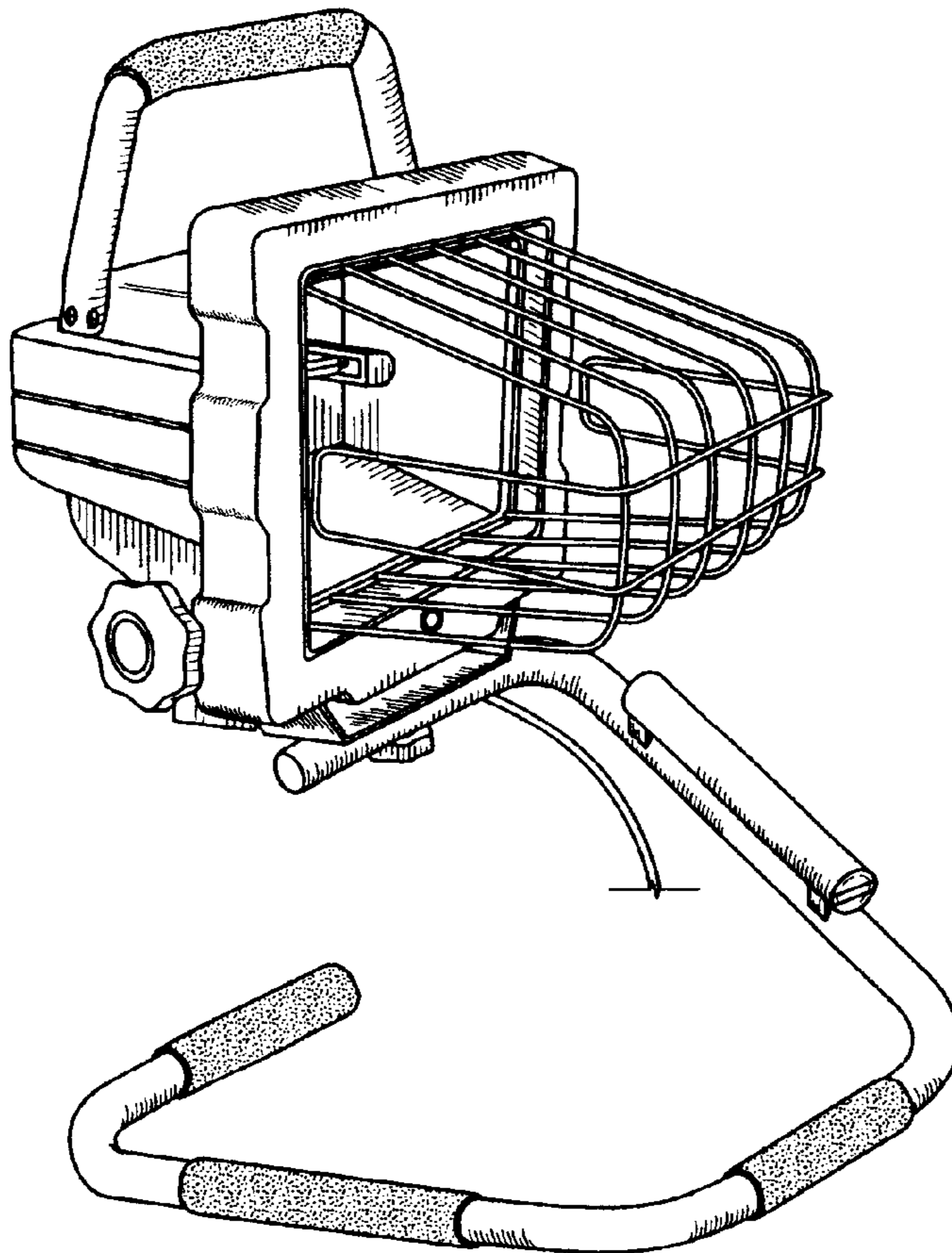
(57) **CLAIM**

The ornamental design for a halogen lamp and support assembly, as shown and described.

DESCRIPTION

FIG. 1 is a perspective view of a halogen lamp and support assembly according to the inventive design; FIG. 2 is a front elevational view of FIG. 1; FIG. 3 is a rear elevational view of FIG. 1; FIG. 4 is a side elevational view of the first side of FIG. 1; FIG. 5 is a side elevational view of the second side of FIG. 1; FIG. 6 is a top plan view of FIG. 1; and, FIG. 7 is a bottom plan view of FIG. 1.

1 Claim, 4 Drawing Sheets



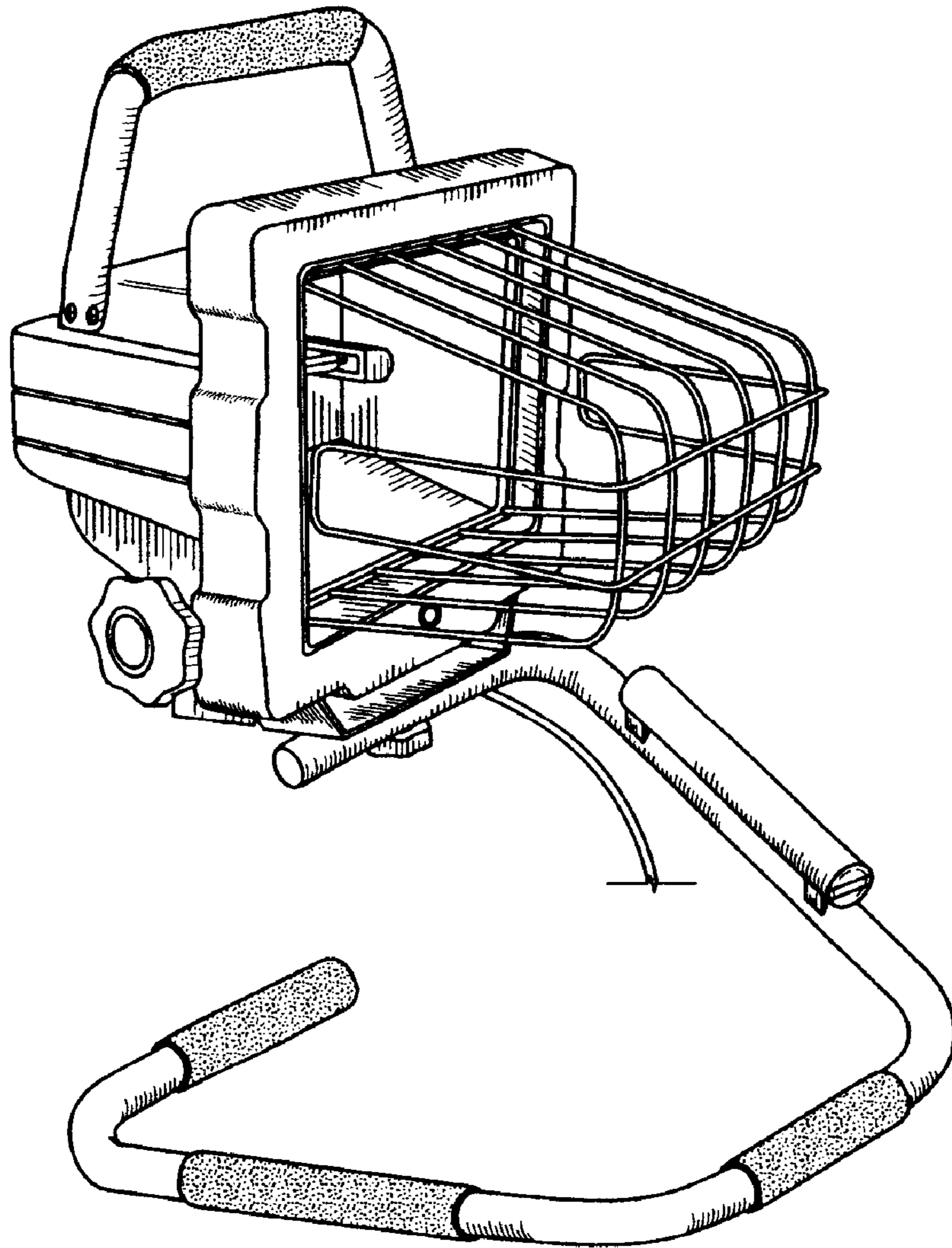


FIG. 1

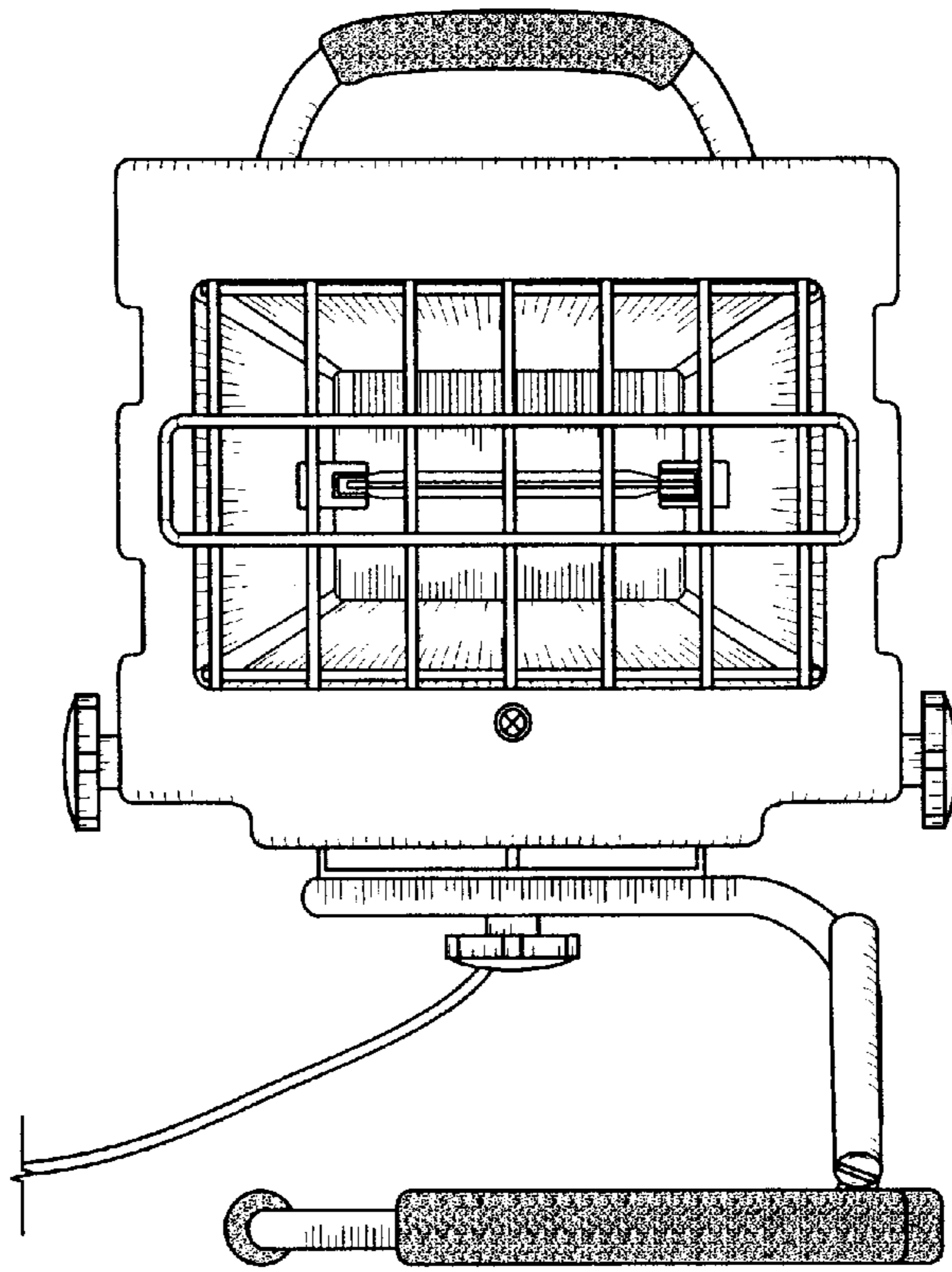


FIG. 2

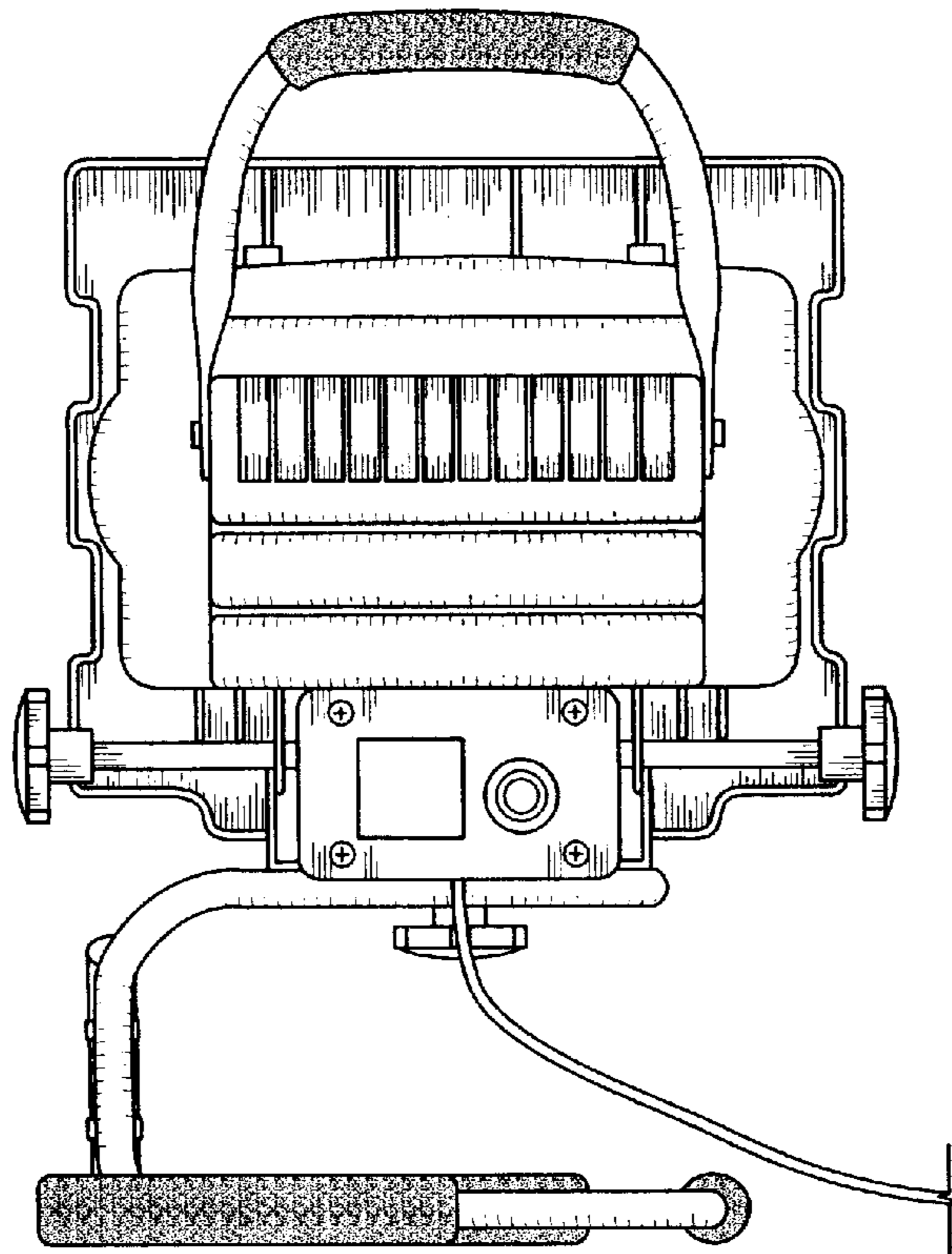


FIG. 3

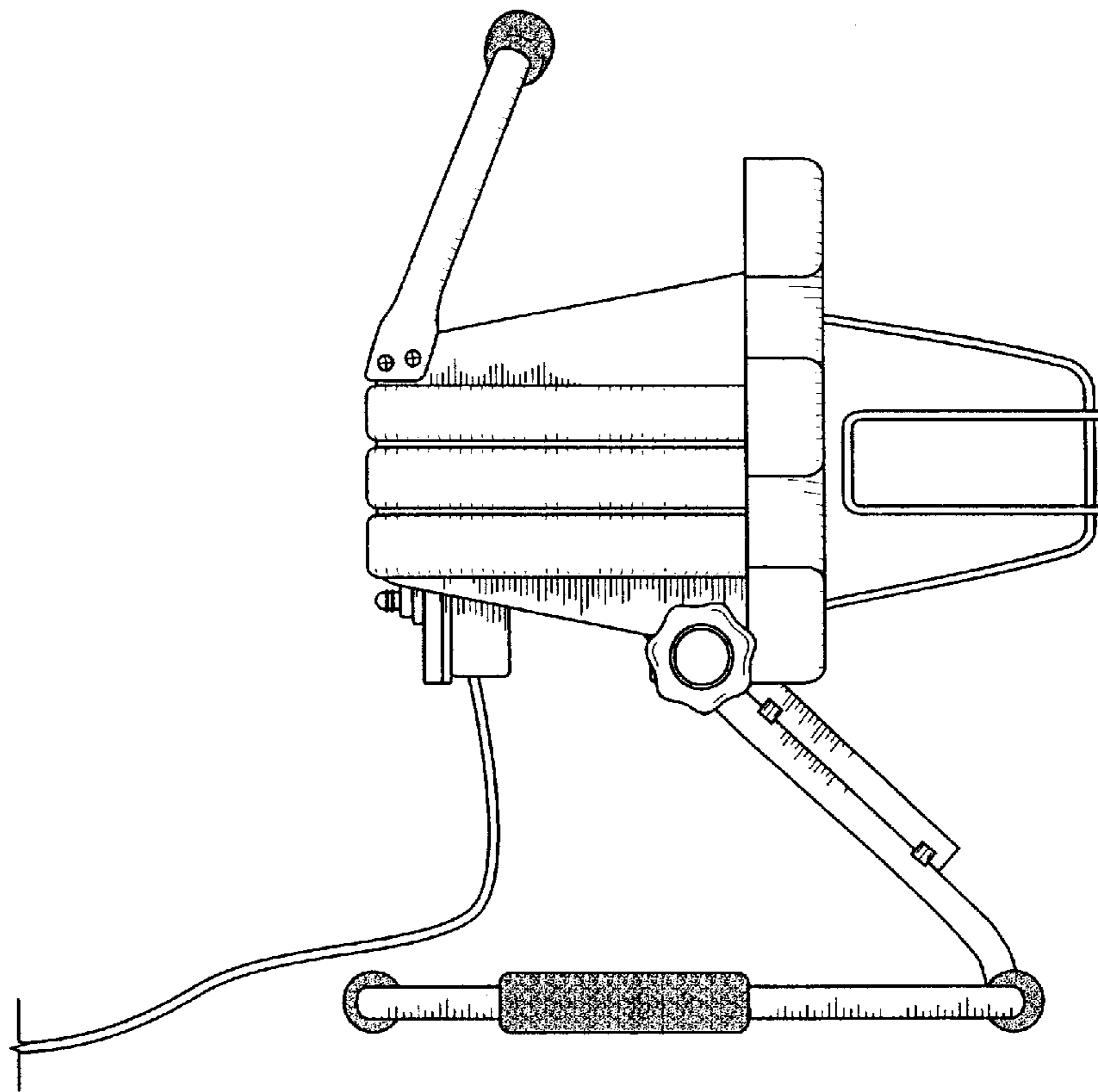


FIG. 4

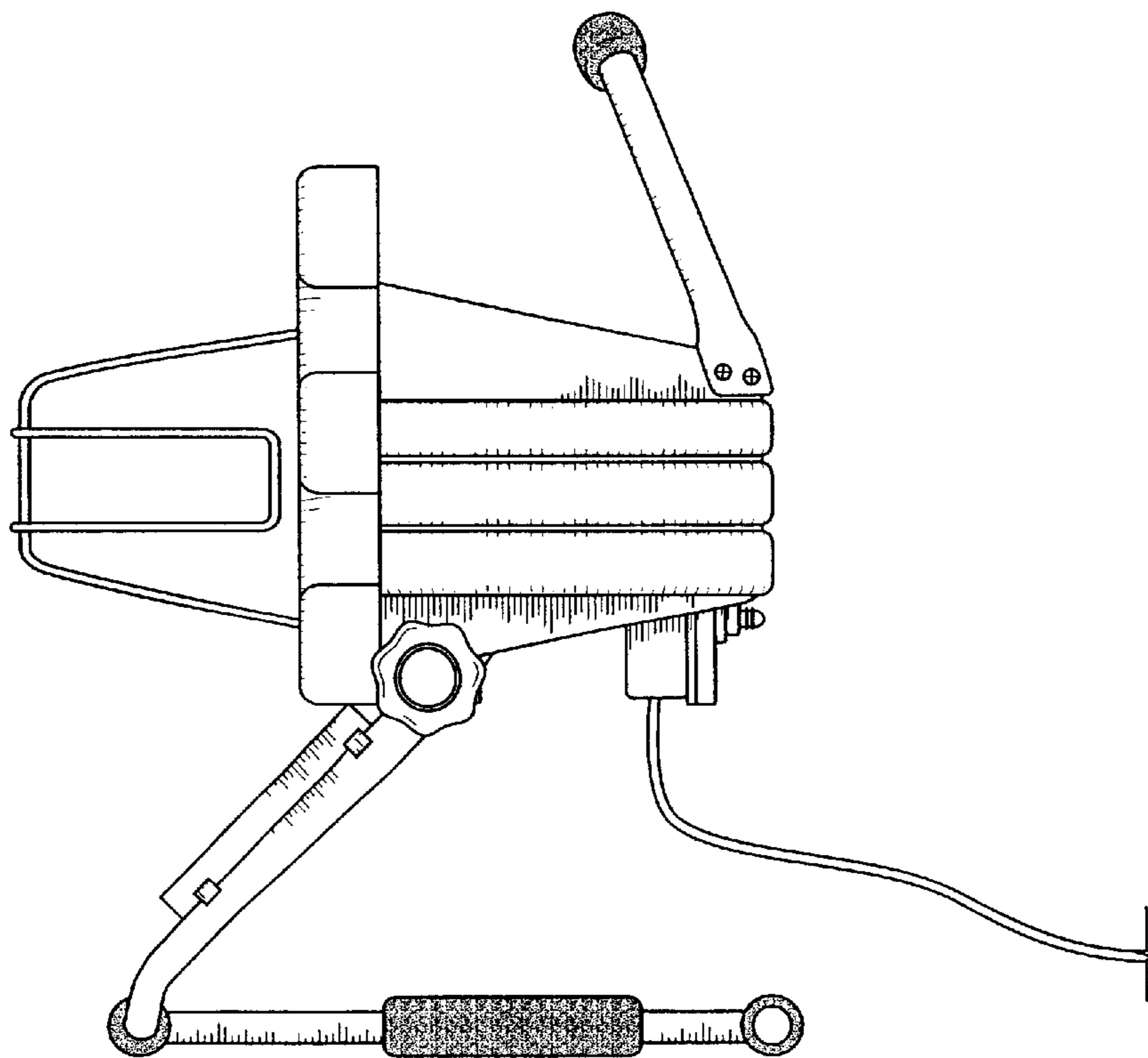


FIG. 5

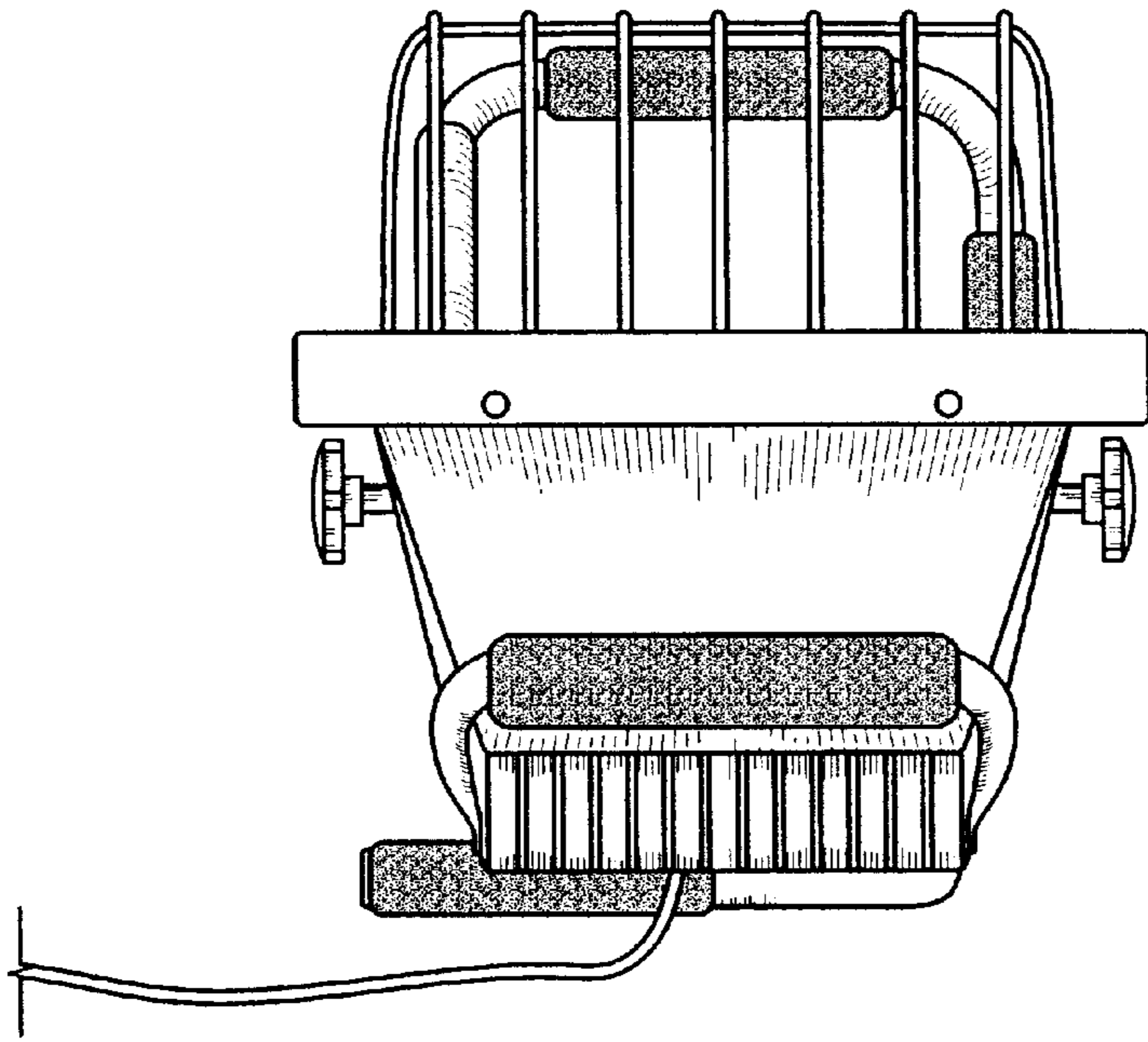


FIG. 6

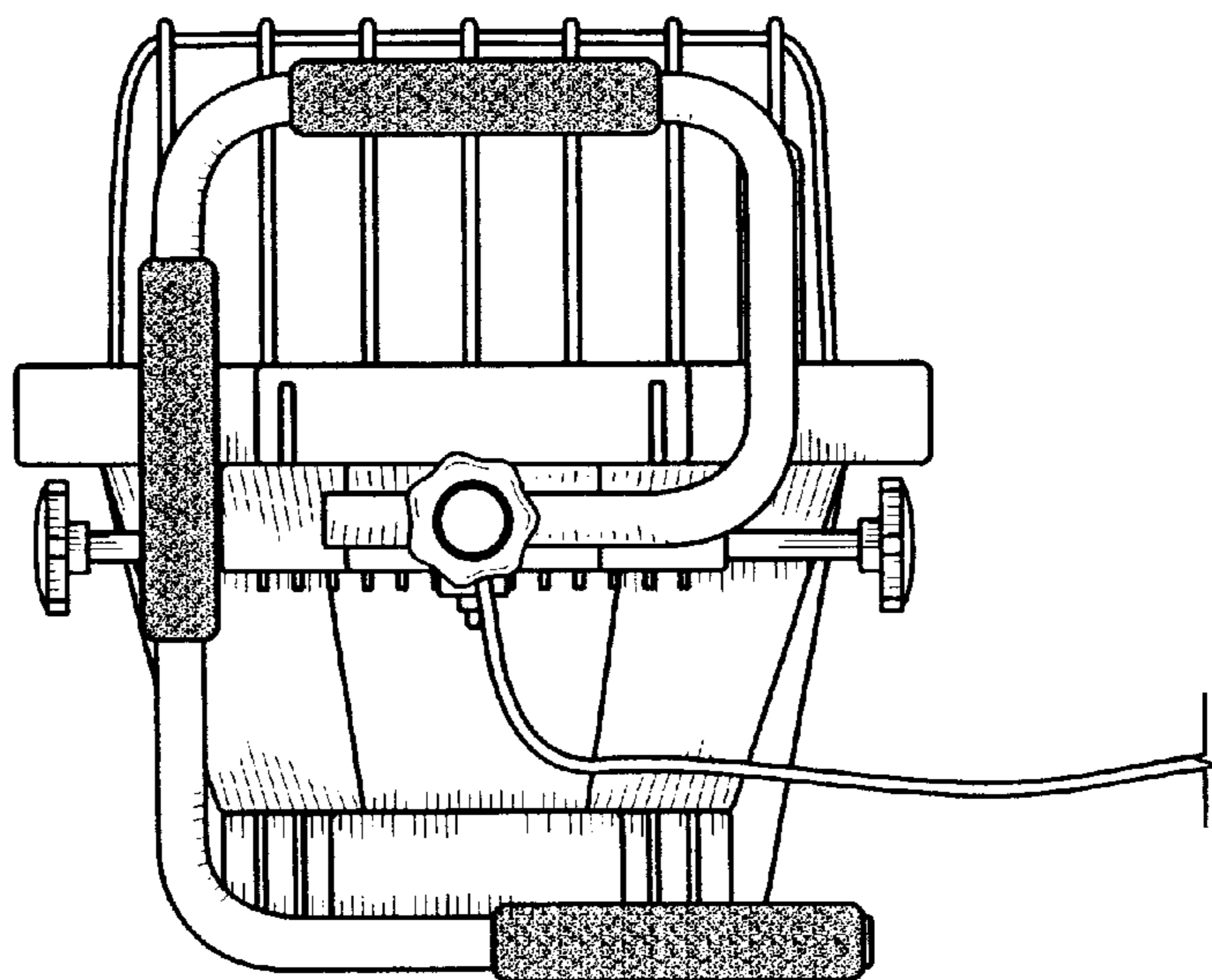


FIG. 7