



US00D486595S

(12) **United States Design Patent**
Liu

(10) **Patent No.:** **US D486,595 S**

(45) **Date of Patent:** **** Feb. 10, 2004**

(54) **AUTOMOBILE LIGHT**

D477,429 S * 7/2003 Lin D26/28

(75) Inventor: **Yung-Ching Liu**, Tainan Hsien (TW)

* cited by examiner

(73) Assignee: **TYC Brother Industrial Co., Ltd.**,
Tainan (TW)

Primary Examiner—Marcus A. Jackson
(74) *Attorney, Agent, or Firm*—Fitzpatrick, Cella Harper &
Scinto

(**) Term: **14 Years**

(57) **CLAIM**

(21) Appl. No.: **29/180,679**

The ornamental design for automobile light, as shown and described.

(22) Filed: **Apr. 30, 2003**

(51) **LOC (7) Cl.** **26-04**

(52) **U.S. Cl.** **D26/28**

(58) **Field of Search** D26/28–36; 362/61,
362/80, 81, 82, 83, 83.4, 267, 269, 275,
330–340

DESCRIPTION

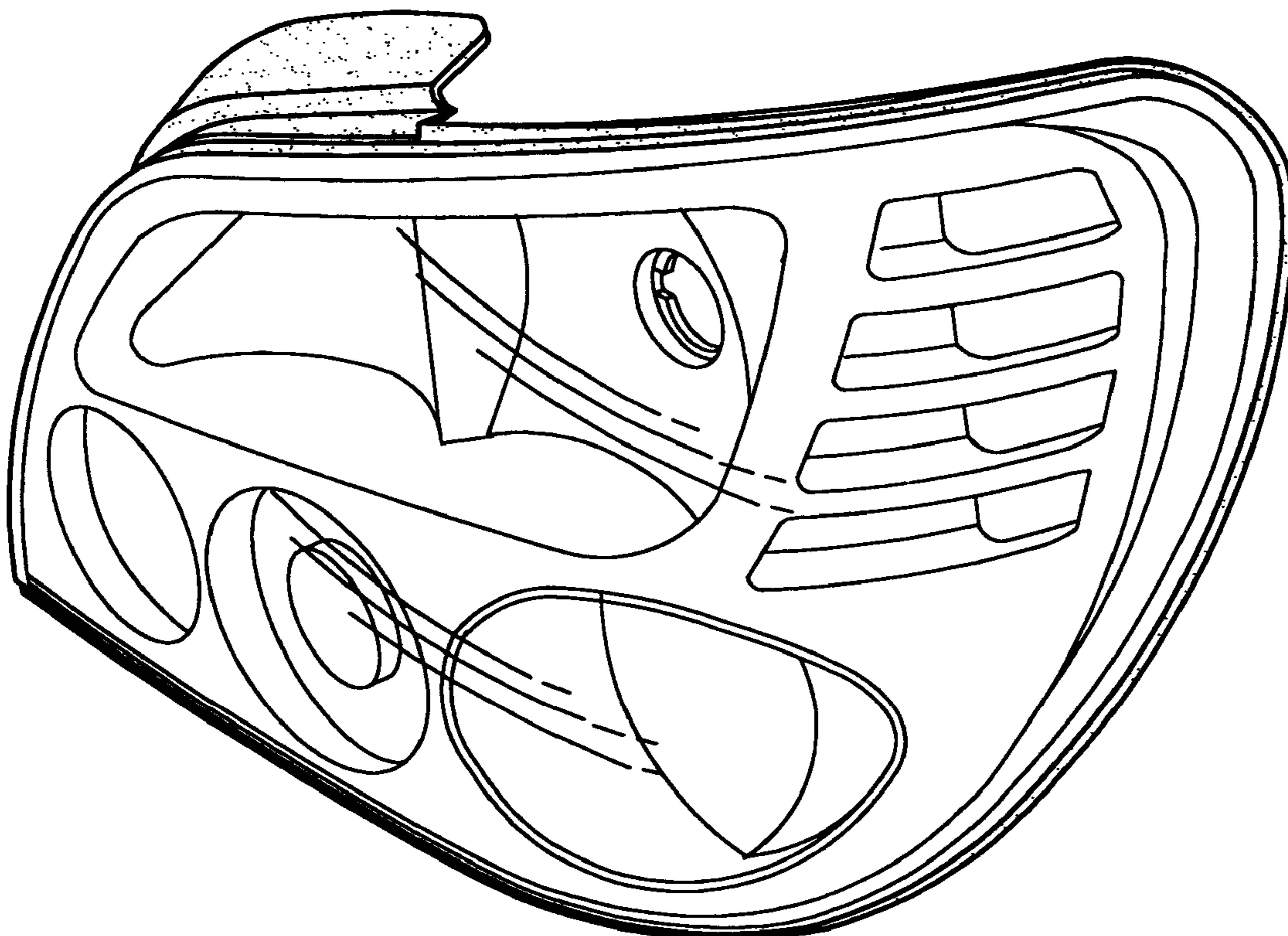
FIG. 1 is a perspective view of automobile light showing my new design;
FIG. 2 is a front elevational view thereof;
FIG. 3 is a rear elevational view thereof;
FIG. 4 is a left side elevational view thereof;
FIG. 5 is a right side elevational view thereof;
FIG. 6 is a top plan view thereof; and,
FIG. 7 is a bottom plan view thereof.

(56) **References Cited**

U.S. PATENT DOCUMENTS

D472,001 S * 3/2003 Pan et al. D26/28
D472,002 S * 3/2003 Chen et al. D26/28

1 Claim, 4 Drawing Sheets



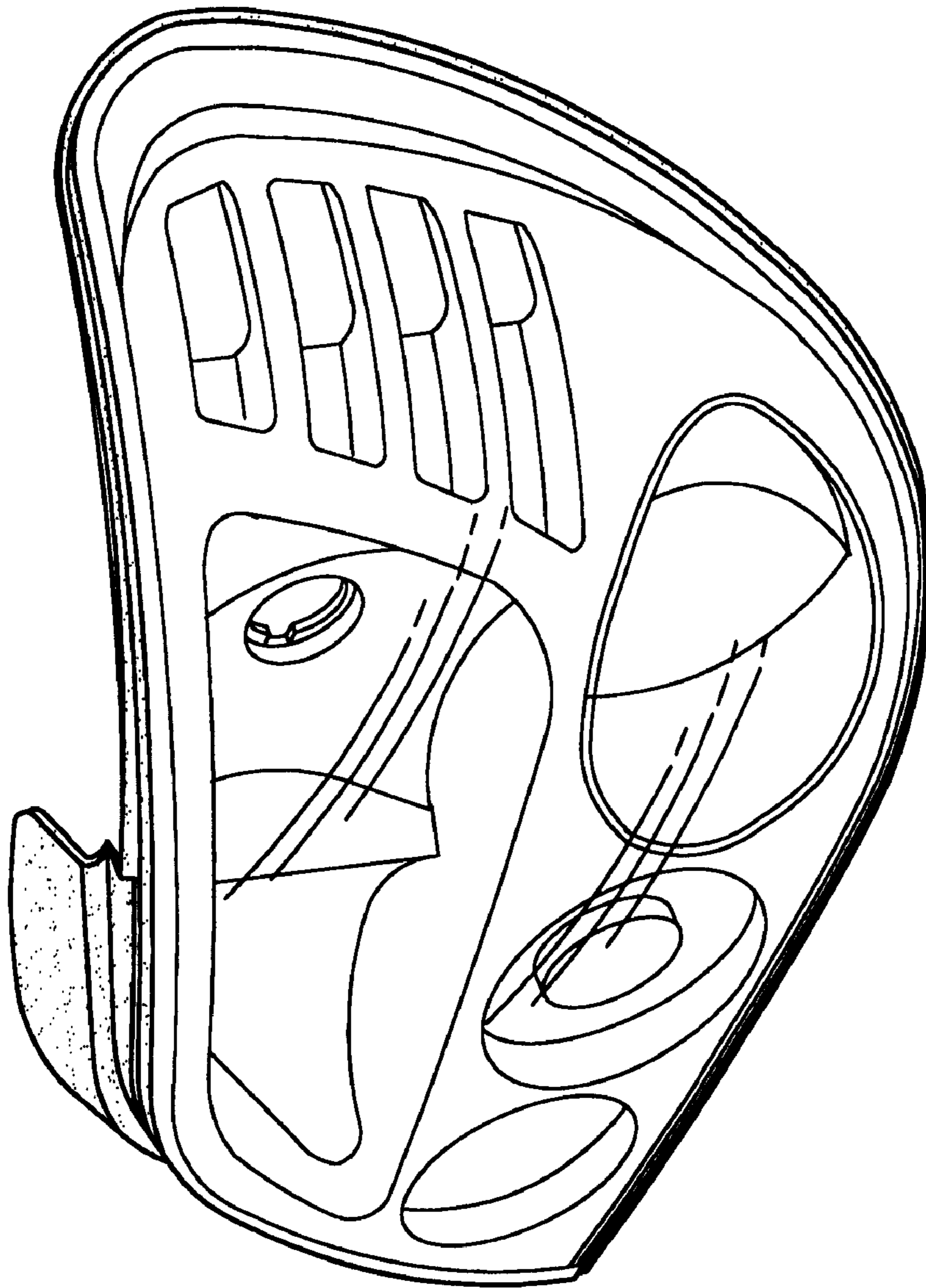


FIG. 1

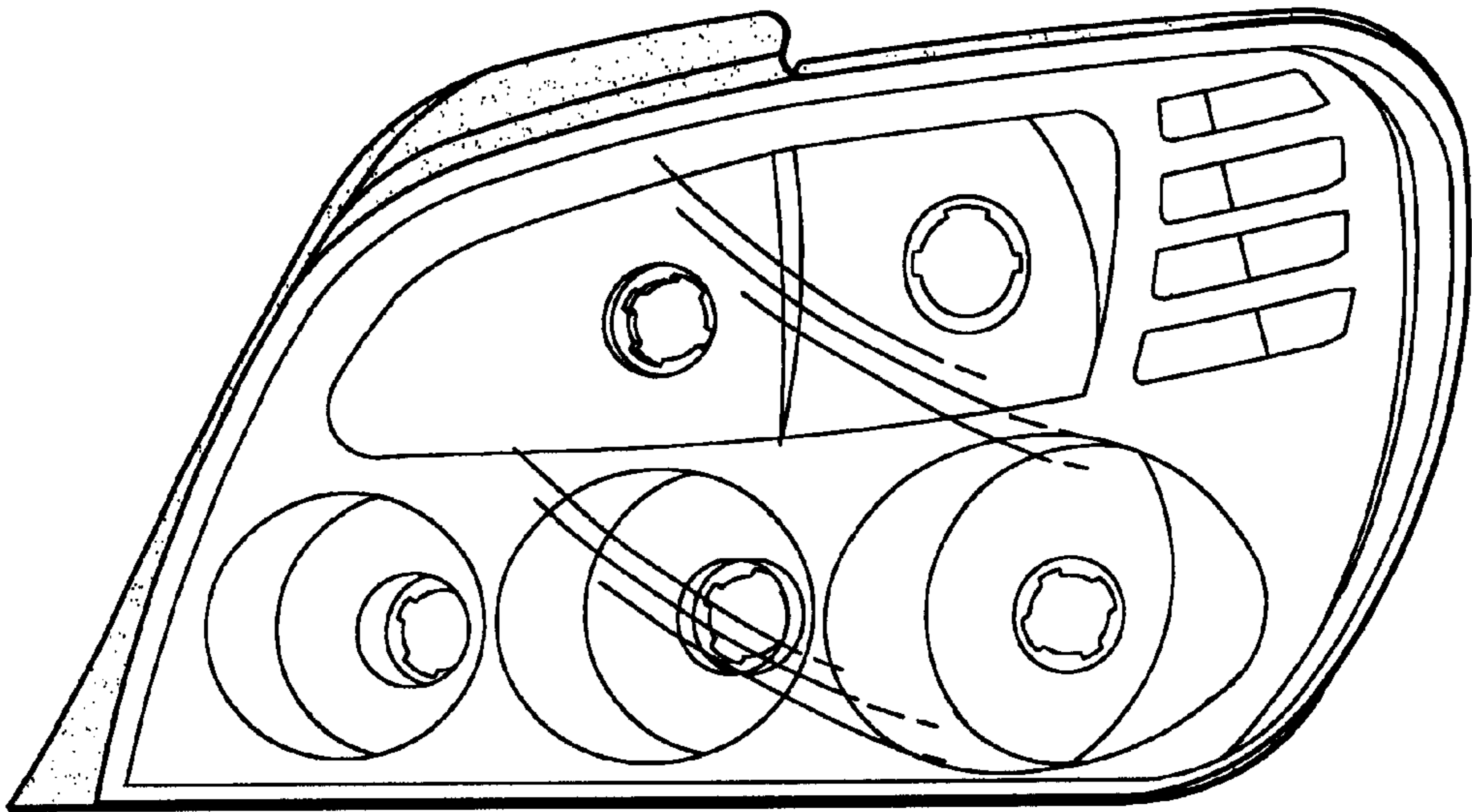


FIG. 2

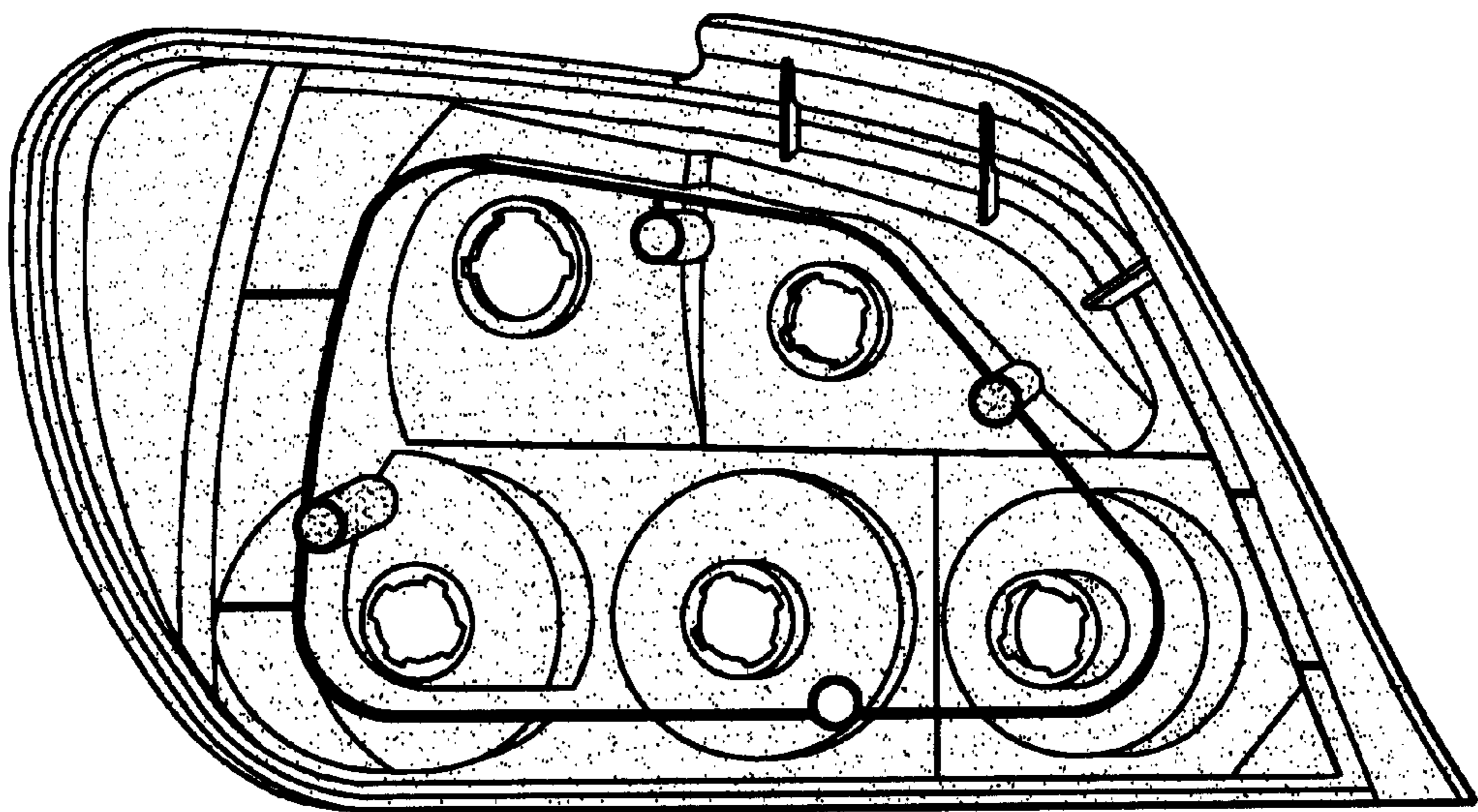


FIG. 3

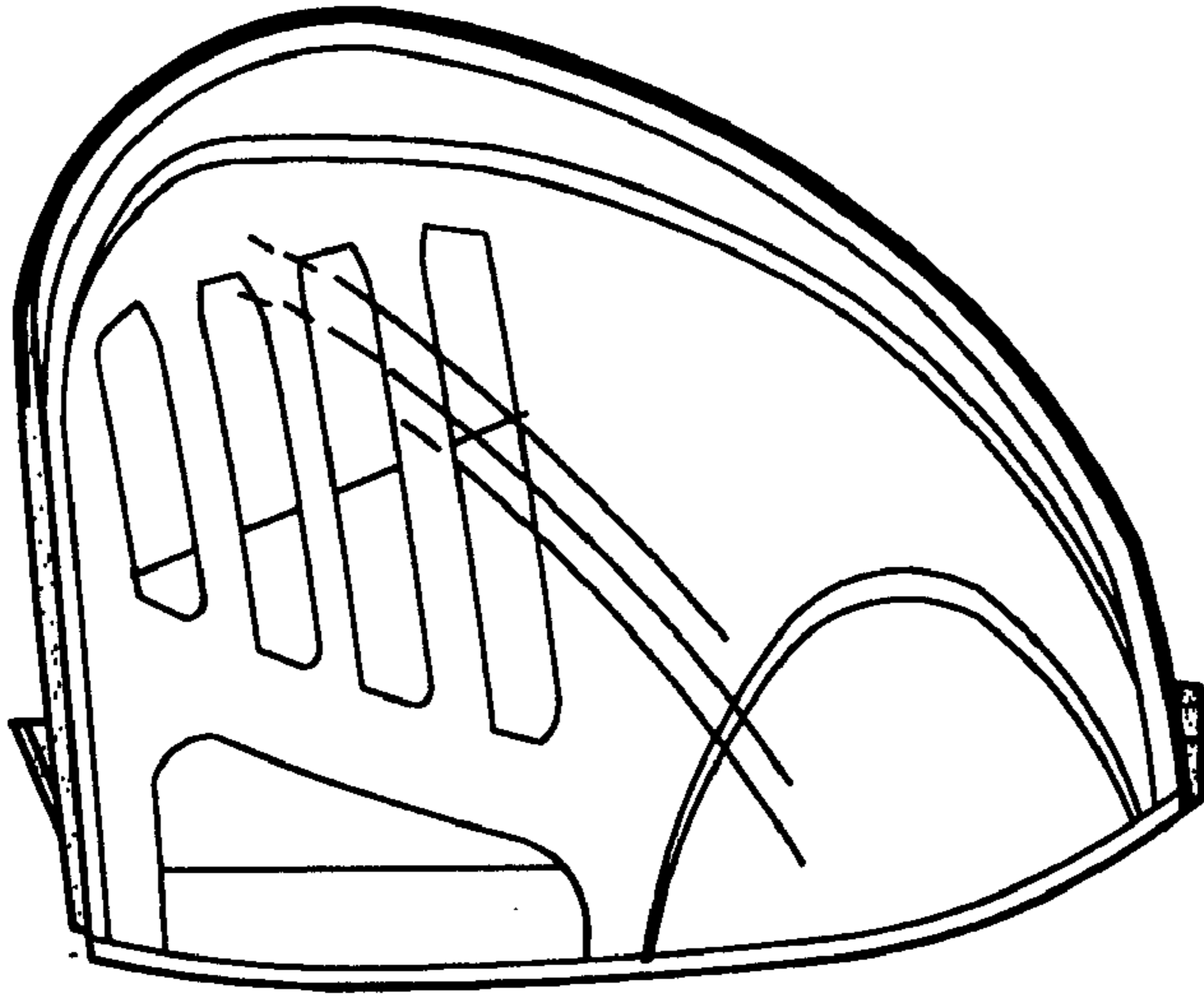


FIG. 5

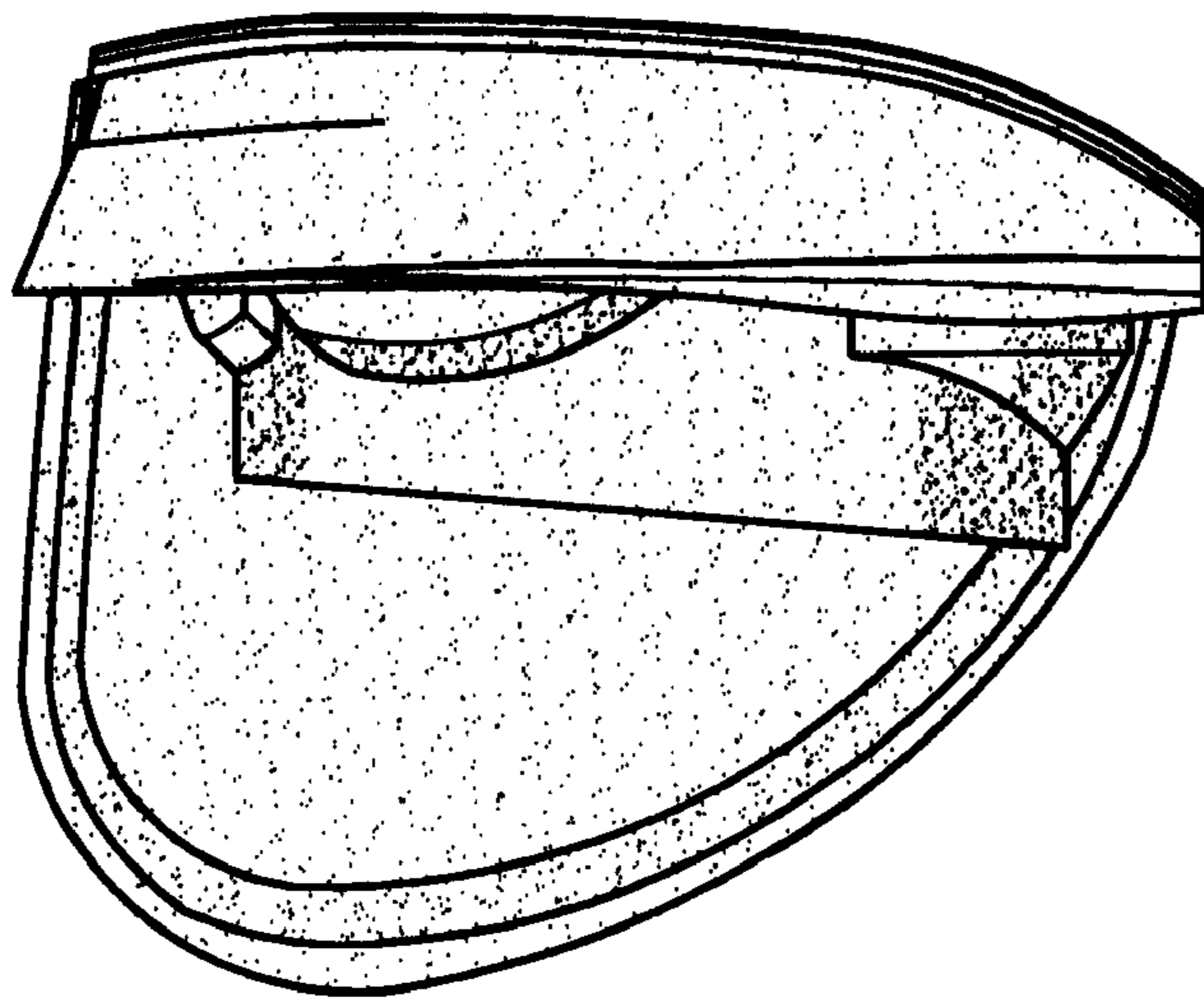


FIG. 4

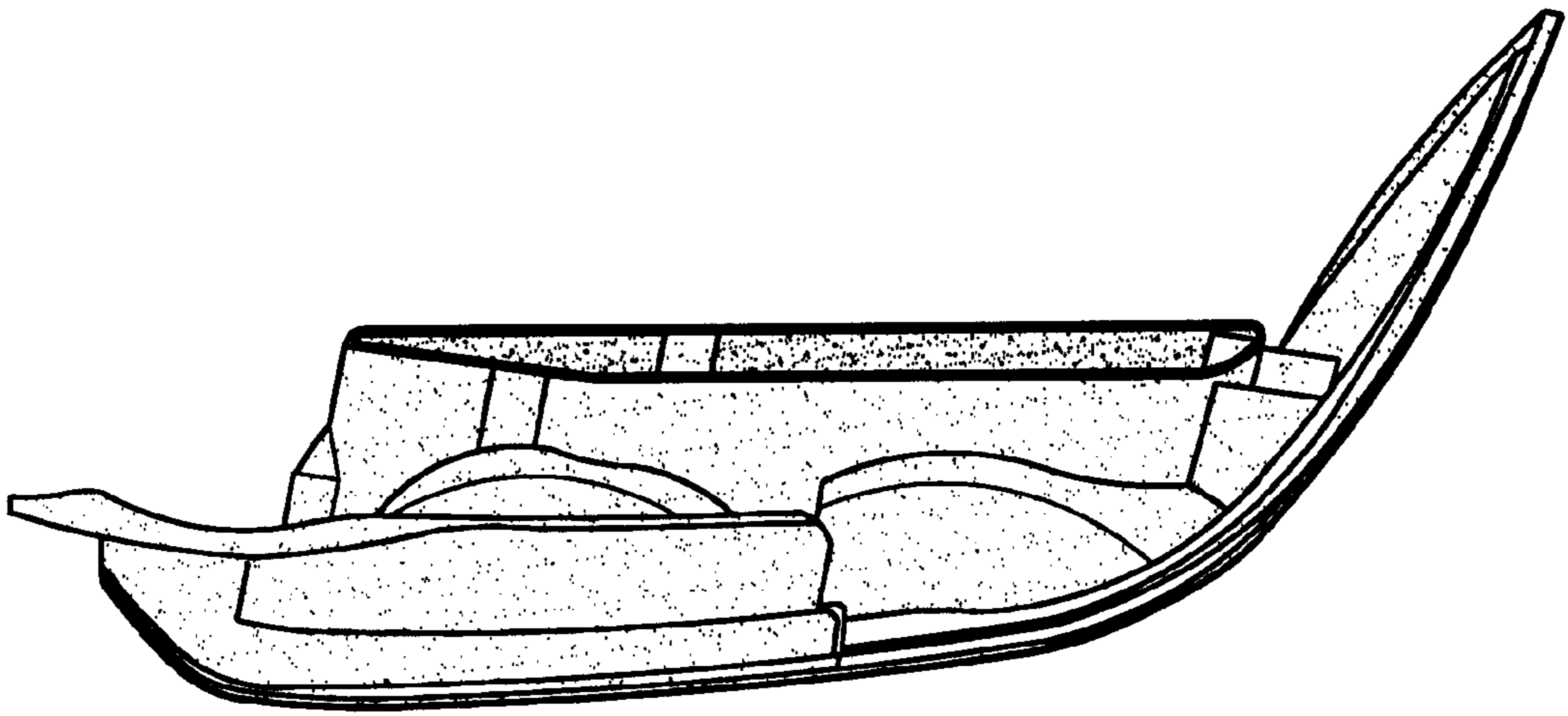


FIG. 6

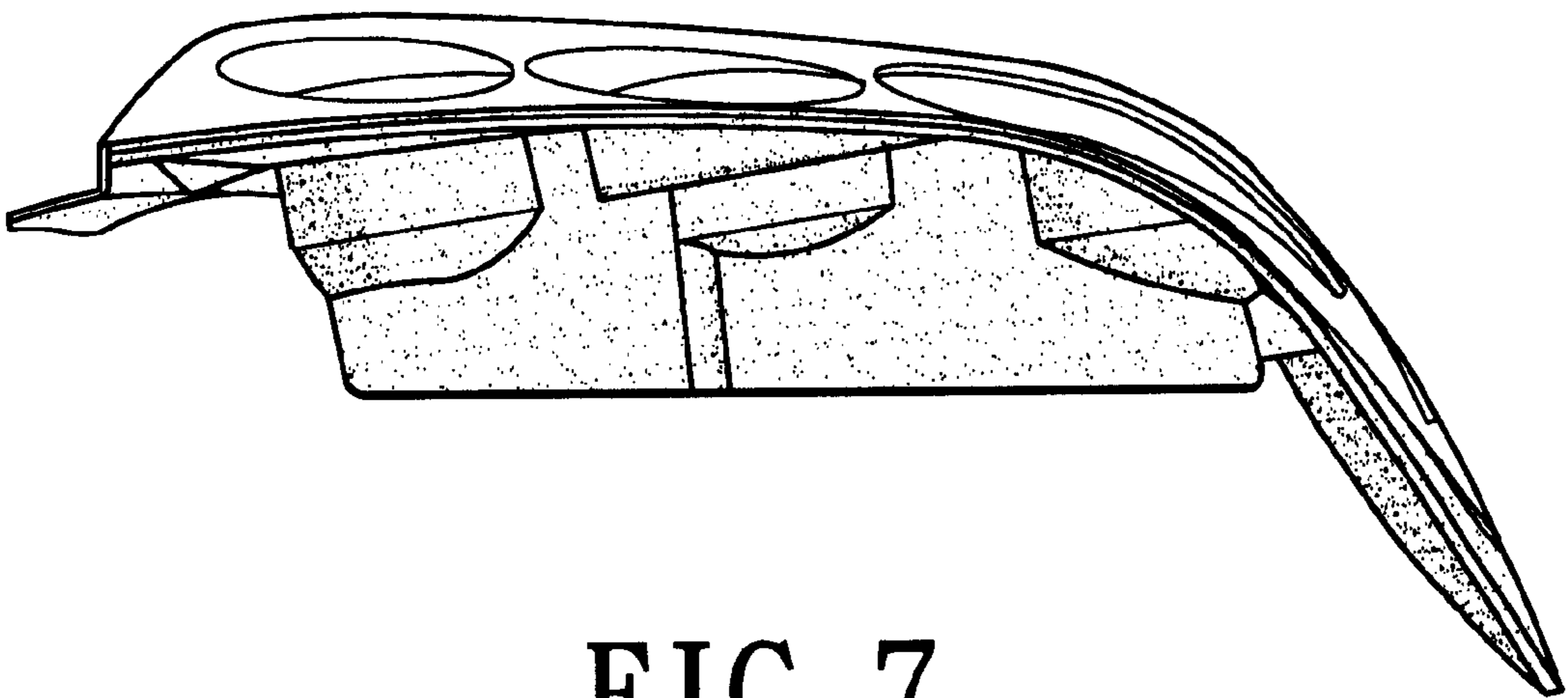


FIG. 7