



US00D486592S

(12) **United States Design Patent**
Hong

(10) **Patent No.:** **US D486,592 S**

(45) **Date of Patent:** **** Feb. 10, 2004**

(54) **BLOCK FOR BUILT-UP FLOOR**

(76) Inventor: **Jacky Hong**, No. 97, Mintzu Rd.,
Lugang Jen, Changhua (TW), 505

(**) Term: **14 Years**

(21) Appl. No.: **29/183,209**

(22) Filed: **Jun. 10, 2003**

(51) **LOC (7) Cl.** **25-01**

(52) **U.S. Cl.** **D25/138**

(58) **Field of Search** D25/138; 52/578,
52/574, 588.1, 589.1

(56) **References Cited**

U.S. PATENT DOCUMENTS

6,065,264 A *	5/2000	Imler et al.	52/588.1
D449,120 S *	10/2001	Kulik	D25/138
6,339,908 B1 *	1/2002	Chuang	52/589.1

* cited by examiner

Primary Examiner—Doris Clark
(74) *Attorney, Agent, or Firm*—Browdy and Neimark,
P.L.L.C.

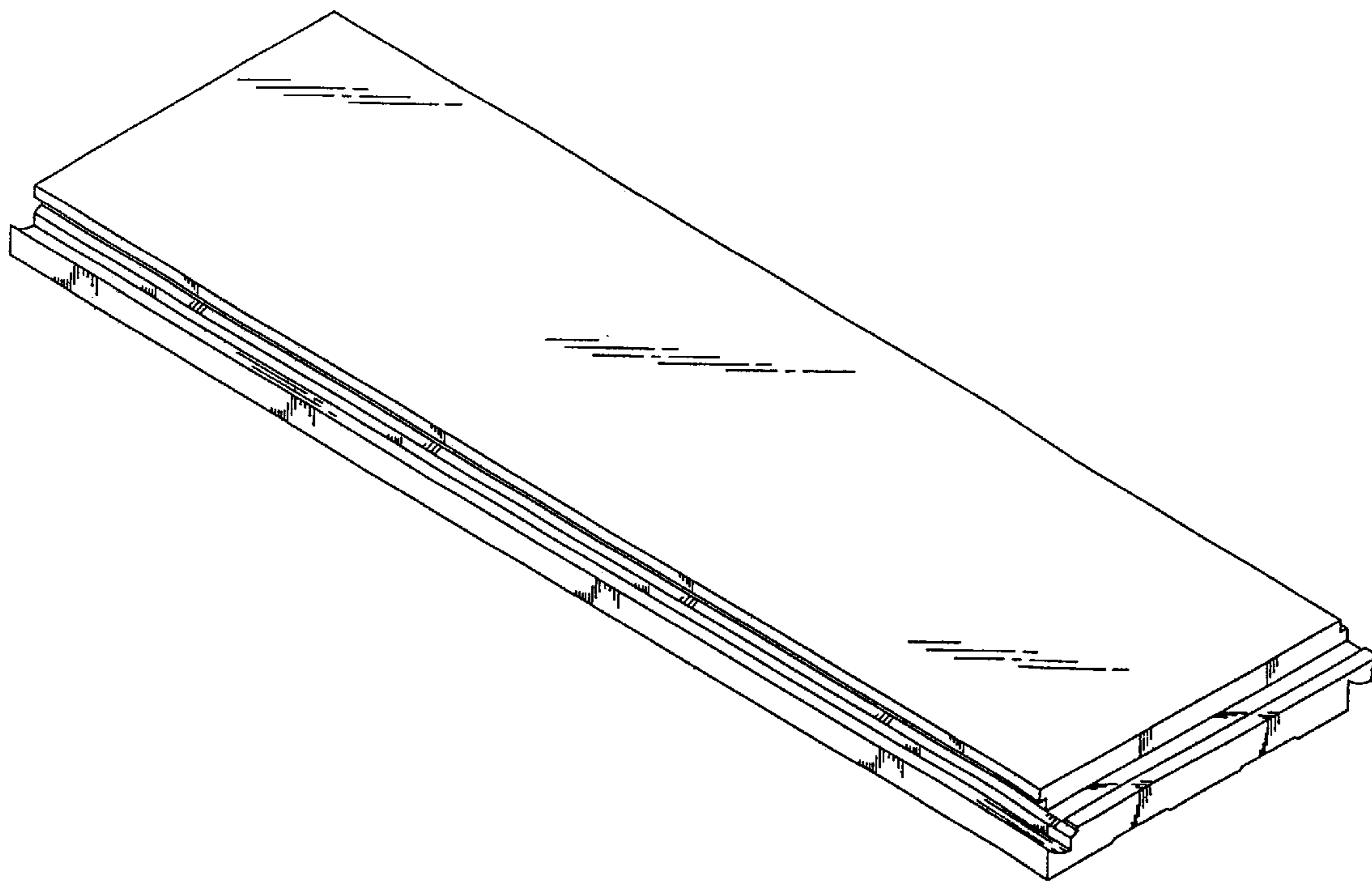
(57) **CLAIM**

The ornamental design for a “block for built-up floor”, as shown.

DESCRIPTION

FIG. 1 shows a perspective view of the present design.
FIG. 2 shows a right side elevational view of the present design.
FIG. 3 shows a top plan view of the present design.
FIG. 4 shows a front elevational view of the present design.
FIG. 5 shows a bottom plan view of the present design.
FIG. 6 shows a left side elevational view of the present design; and,
FIG. 7 shows a rear elevational view of the present design.

1 Claim, 2 Drawing Sheets



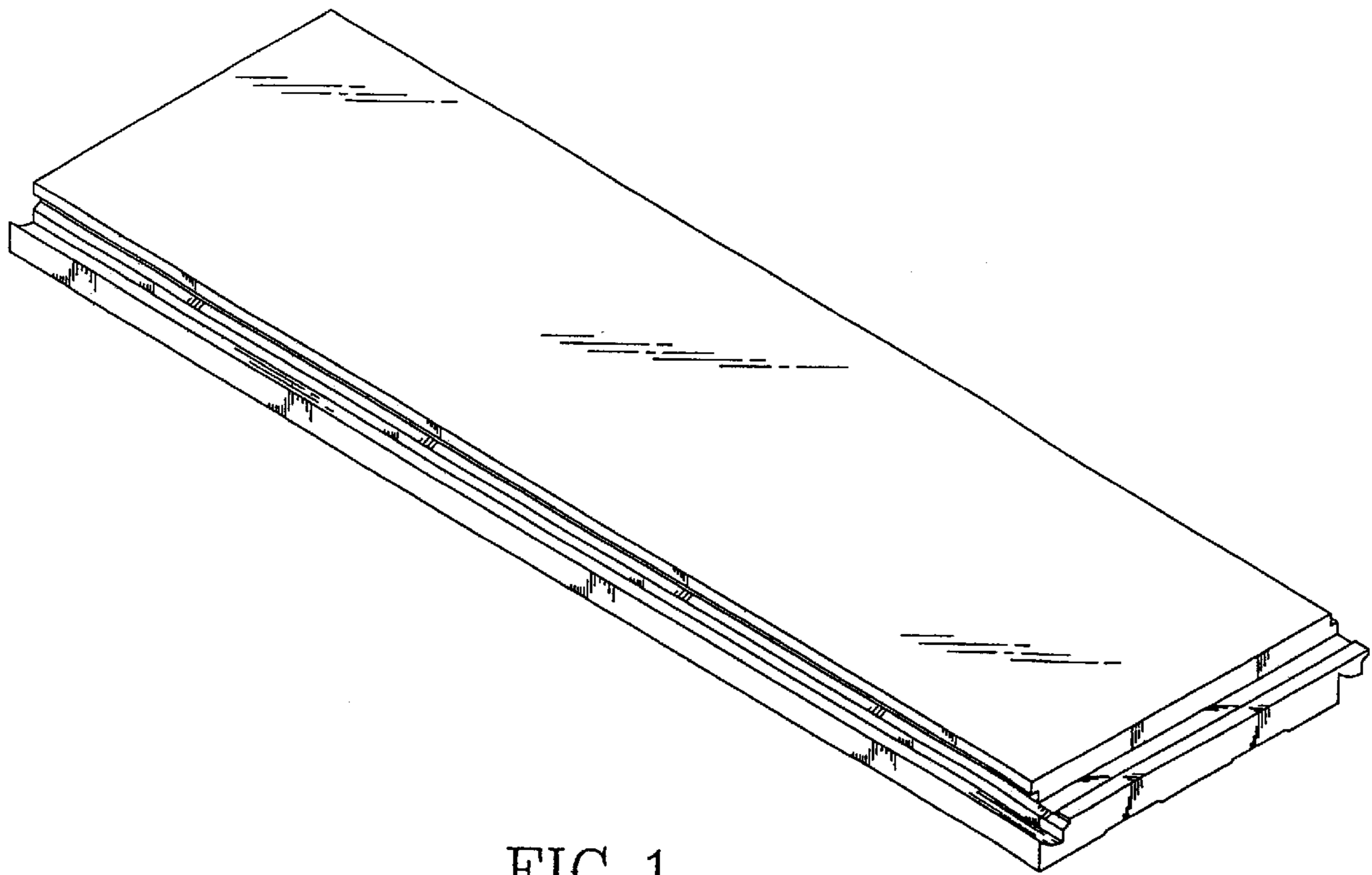


FIG. 1



FIG. 6

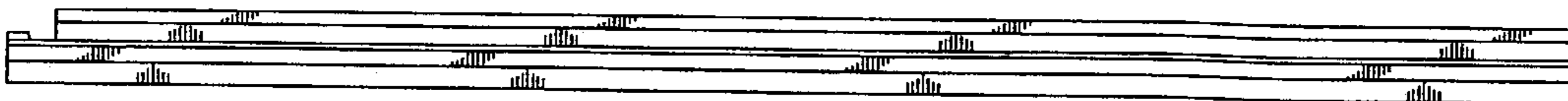


FIG. 7



FIG. 2

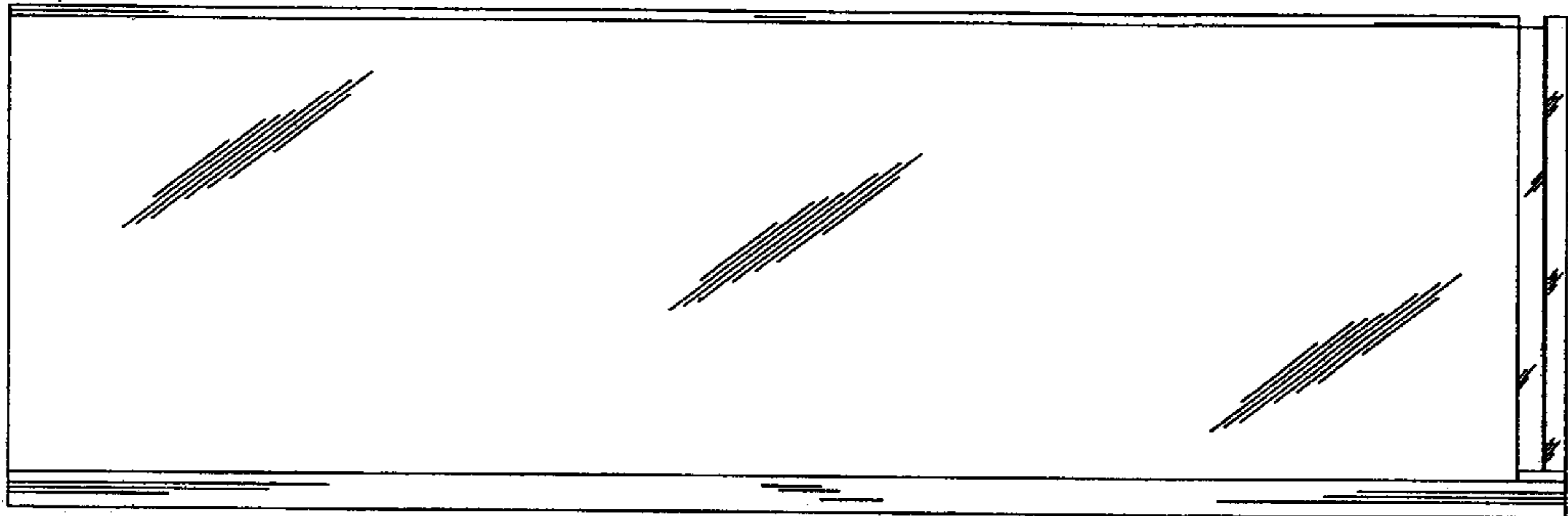


FIG. 3

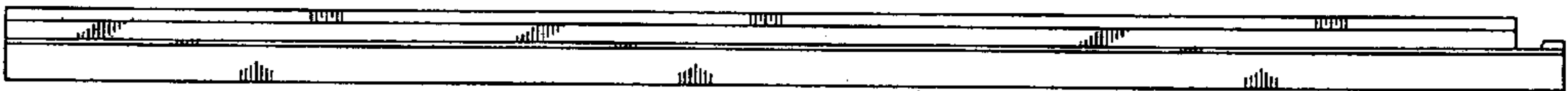


FIG. 4

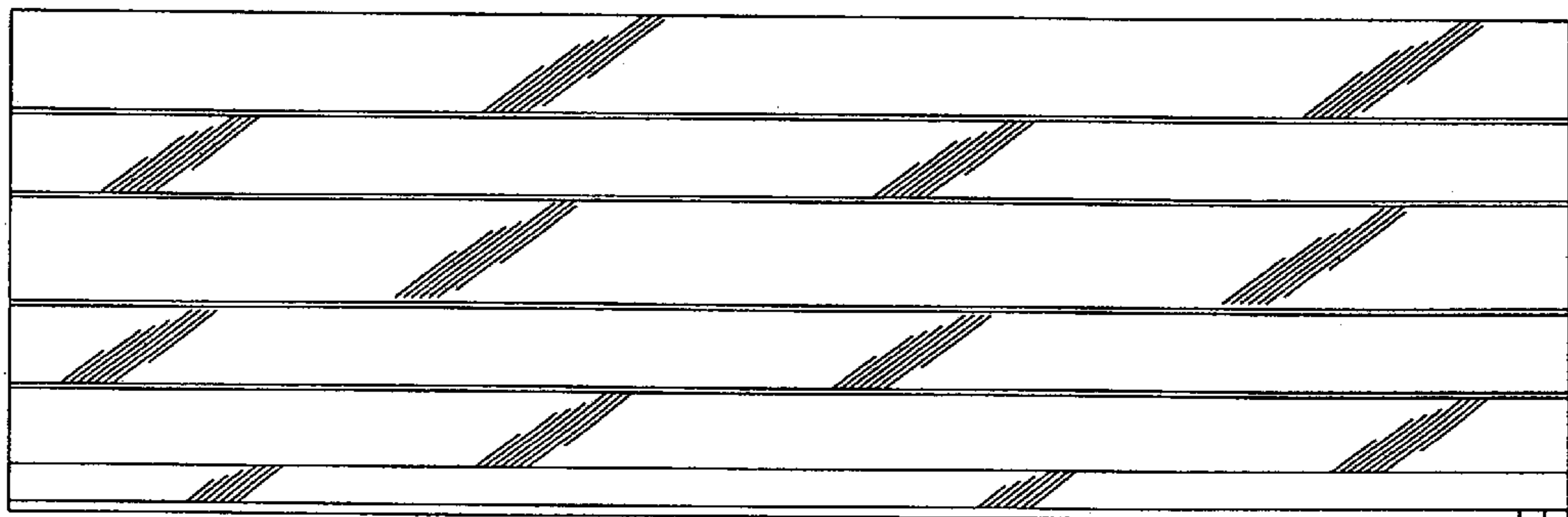


FIG. 5