



US00D486587S

(12) **United States Design Patent**
Yamaoka

(10) **Patent No.:** **US D486,587 S**

(45) **Date of Patent:** **** Feb. 10, 2004**

(54) **FOOTING PLATFORM ASSEMBLY FOR WORKING**

(75) Inventor: **Yutaka Yamaoka**, Takatsuki (JP)

(73) Assignee: **Alinco, Inc.**, Osaka-Fu (JP)

(**) Term: **14 Years**

(21) Appl. No.: **29/181,677**

(22) Filed: **May 14, 2003**

(51) **LOC (7) Cl.** **25-04**

(52) **U.S. Cl.** **D25/66; D25/62**

(58) **Field of Search** **D25/62, 66; 182/117, 182/118, 112, 222**

(56) **References Cited**

U.S. PATENT DOCUMENTS

472,406 A	*	4/1892	Smith	182/118
D329,903 S	*	9/1992	Craig	D25/62
5,678,653 A	*	10/1997	Clinch	182/118
5,746,288 A	*	5/1998	O'Neal et al.	182/118

D403,783 S * 1/1999 Takai D25/66

* cited by examiner

Primary Examiner—Doris Clark

(74) *Attorney, Agent, or Firm*—Schweitzer Cornman Gross & Bondell LLP

(57) **CLAIM**

The ornamental design for a footing platform assembly for working, as shown and described.

DESCRIPTION

FIG. 1 is a front elevational view of the footing platform assembly for working in a condition that a pair of safety poles and the safety guardrail frames are provided on each of the front and rear sides of the platform part;

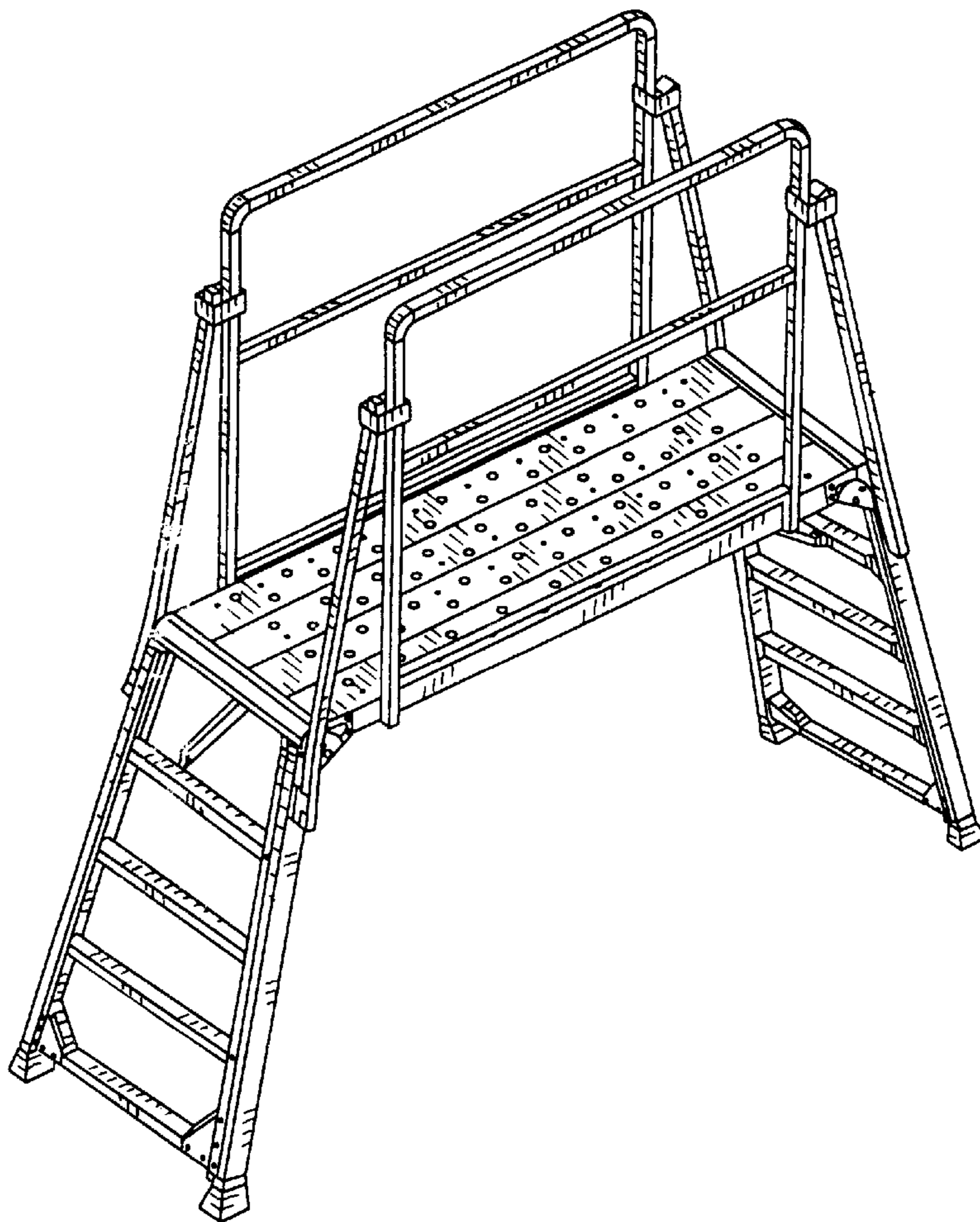
FIG. 2 is a top view thereof;

FIG. 3 is a bottom view thereof;

FIG. 4 is a right side elevational view thereof; and,

FIG. 5 is a perspective view of the footing platform assembly for working in a condition that a pair of safety poles and the safety guardrail frames are provided on each of the front and rear sides of the platform part.

1 Claim, 4 Drawing Sheets



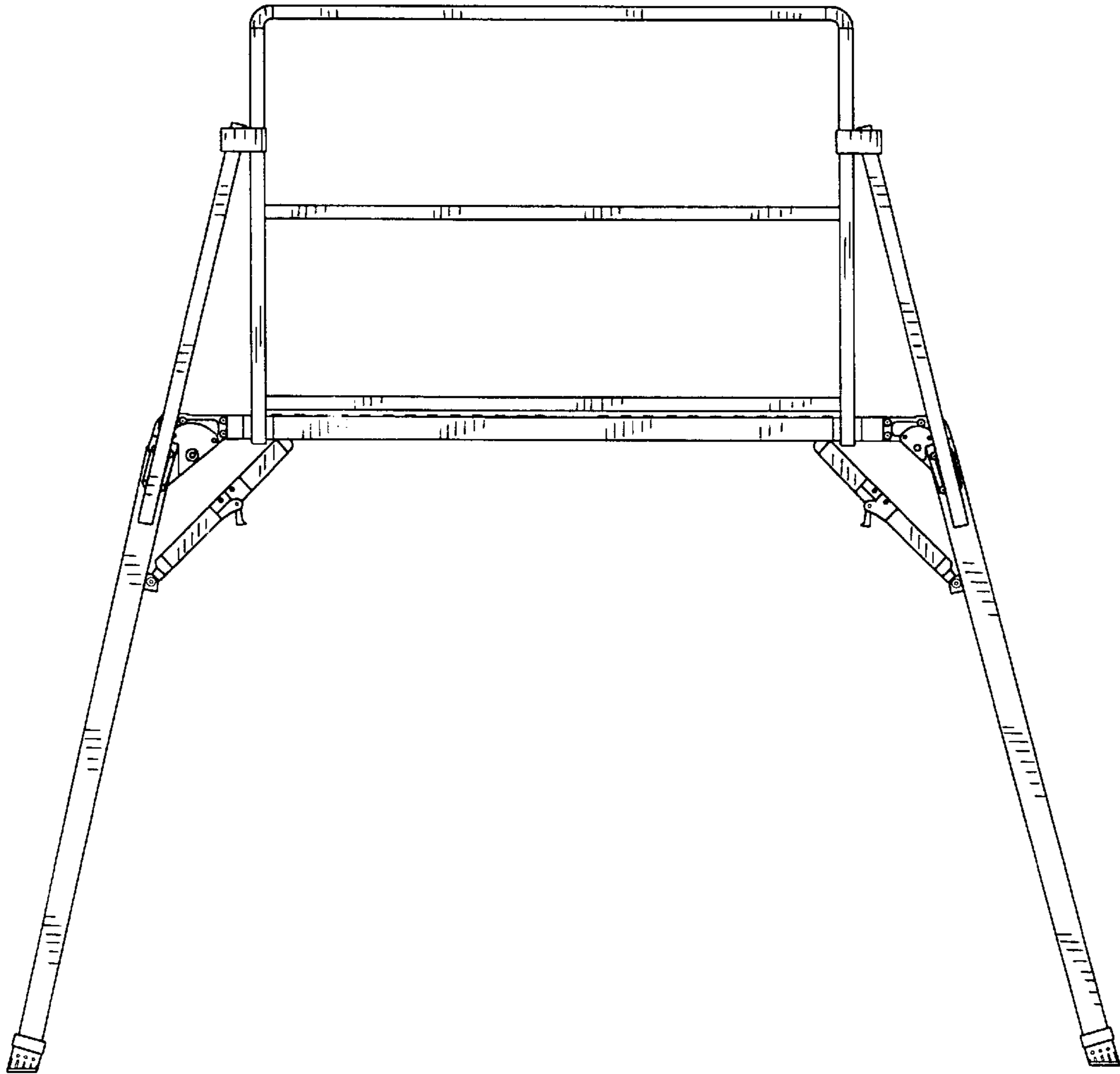


FIG. 1

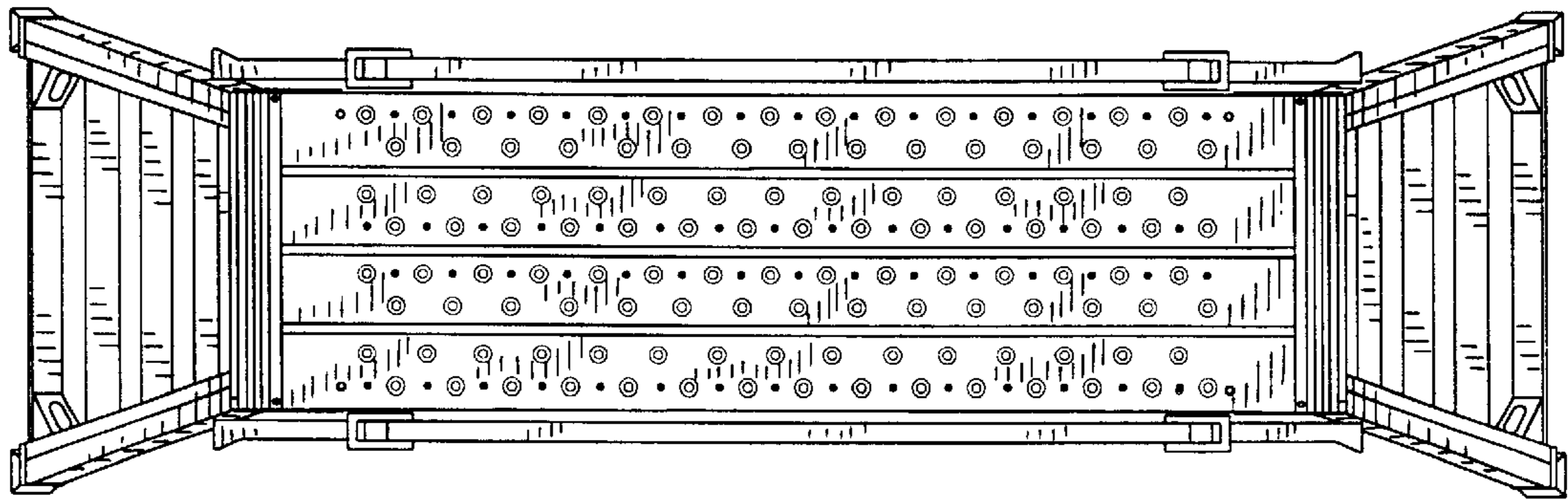


FIG. 2

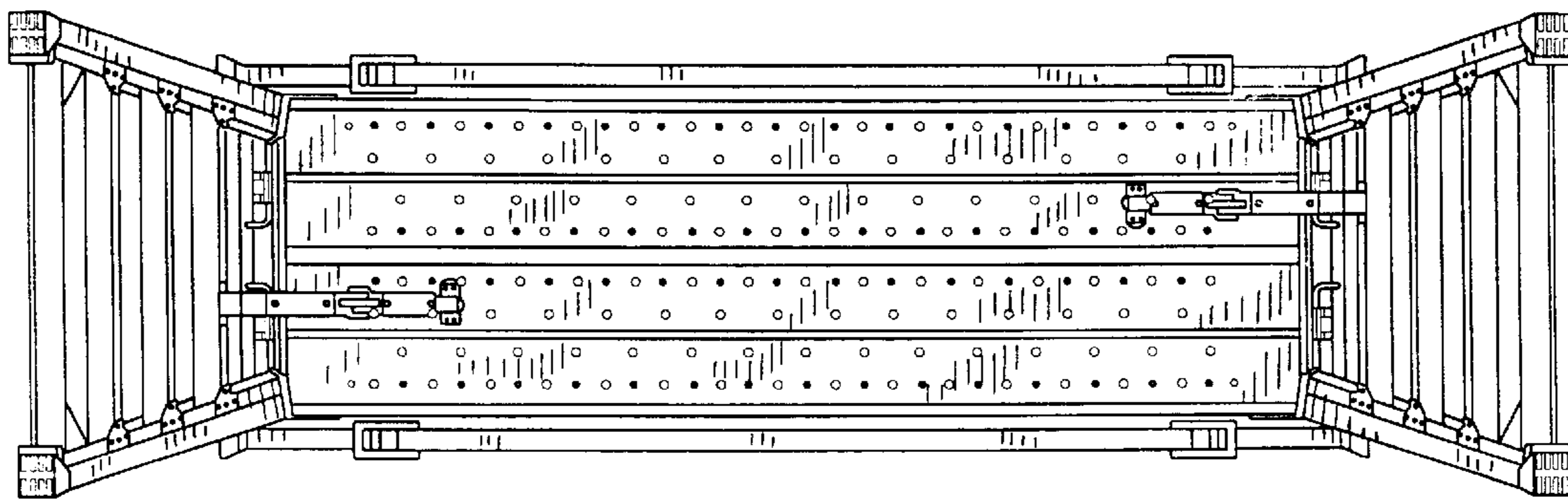


FIG. 3

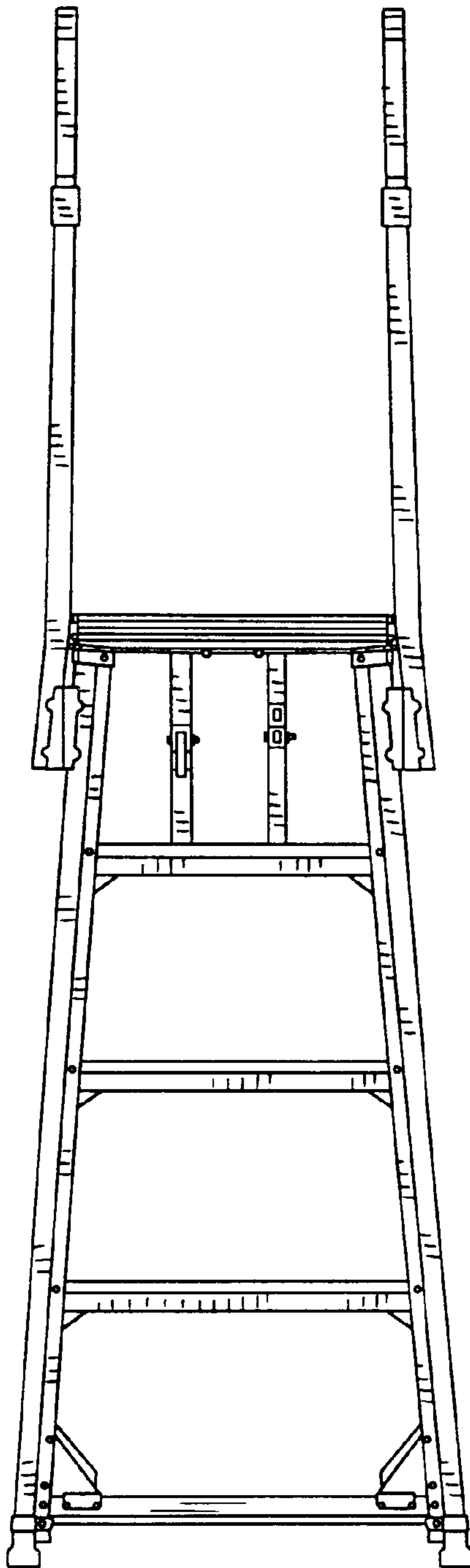


FIG. 4

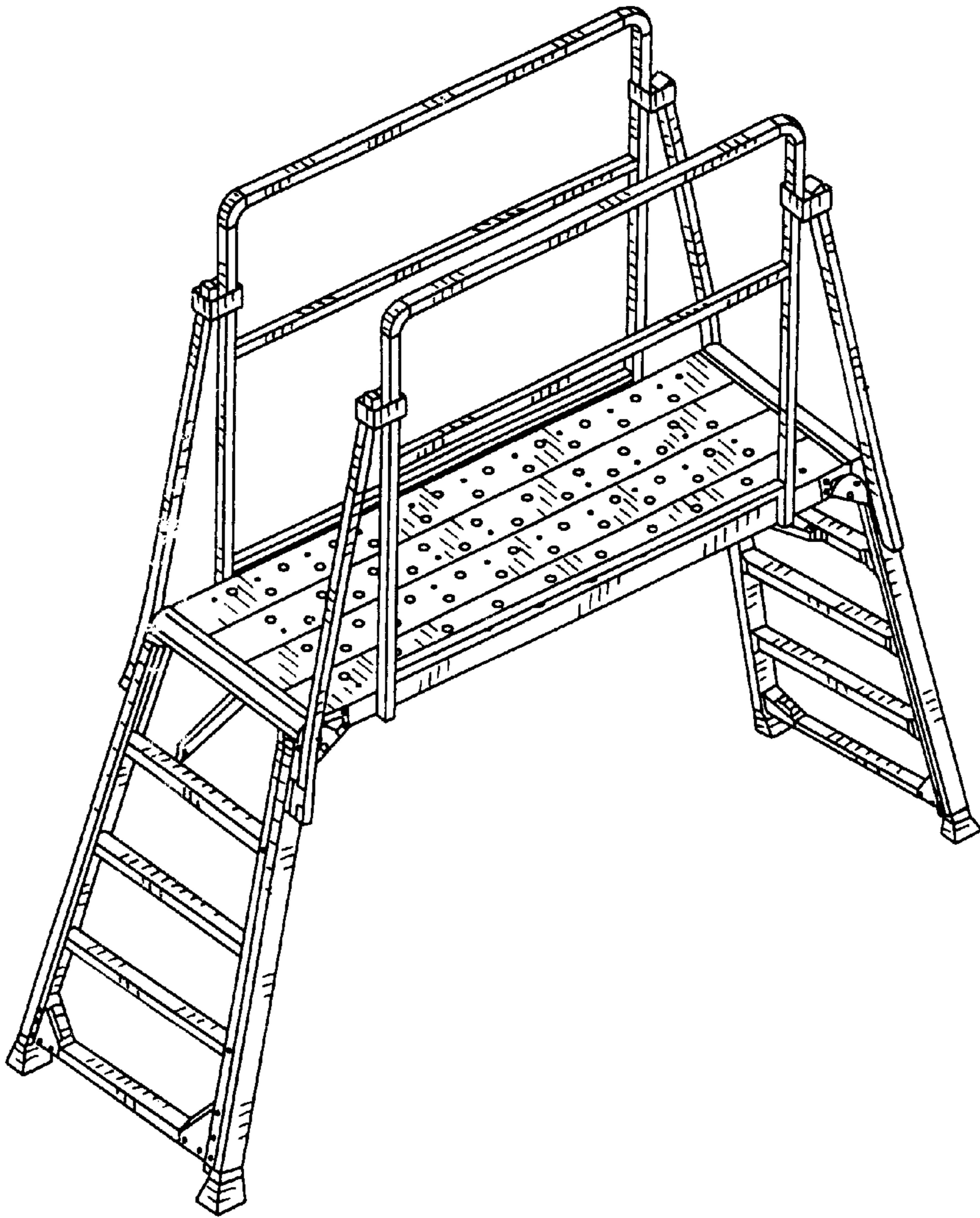


FIG. 5