



US00D486582S

(12) **United States Design Patent**  
**Hawkes**

(10) **Patent No.:** **US D486,582 S**

(45) **Date of Patent:** **\*\* Feb. 10, 2004**

(54) **WINDOW WELL**

(76) Inventor: **Brett L. Hawkes**, 1751 N. 1700 E.,  
Layton, UT (US) 84040

(\*\*) Term: **14 Years**

(21) Appl. No.: **29/170,117**

(22) Filed: **Nov. 1, 2002**

(51) **LOC (7) Cl.** ..... **35-02**

(52) **U.S. Cl.** ..... **D25/36**

(58) **Field of Search** ..... D25/36, 54; 52/107

(56) **References Cited**

**U.S. PATENT DOCUMENTS**

3,844,076 A \* 10/1974 Schock ..... 52/107

D344,806 S \* 3/1994 Wipkey ..... D25/36

\* cited by examiner

*Primary Examiner*—Doris Clark

(74) *Attorney, Agent, or Firm*—Brian C. Trask

(57) **CLAIM**

The ornamental design for a window well, as shown and described.

**DESCRIPTION**

FIG. 1 is a top, rear perspective view of a window well showing my new design;

FIG. 2 is a top view thereof;

FIG. 3 is a cross sectional view taken along 3—3 of FIG. 2;

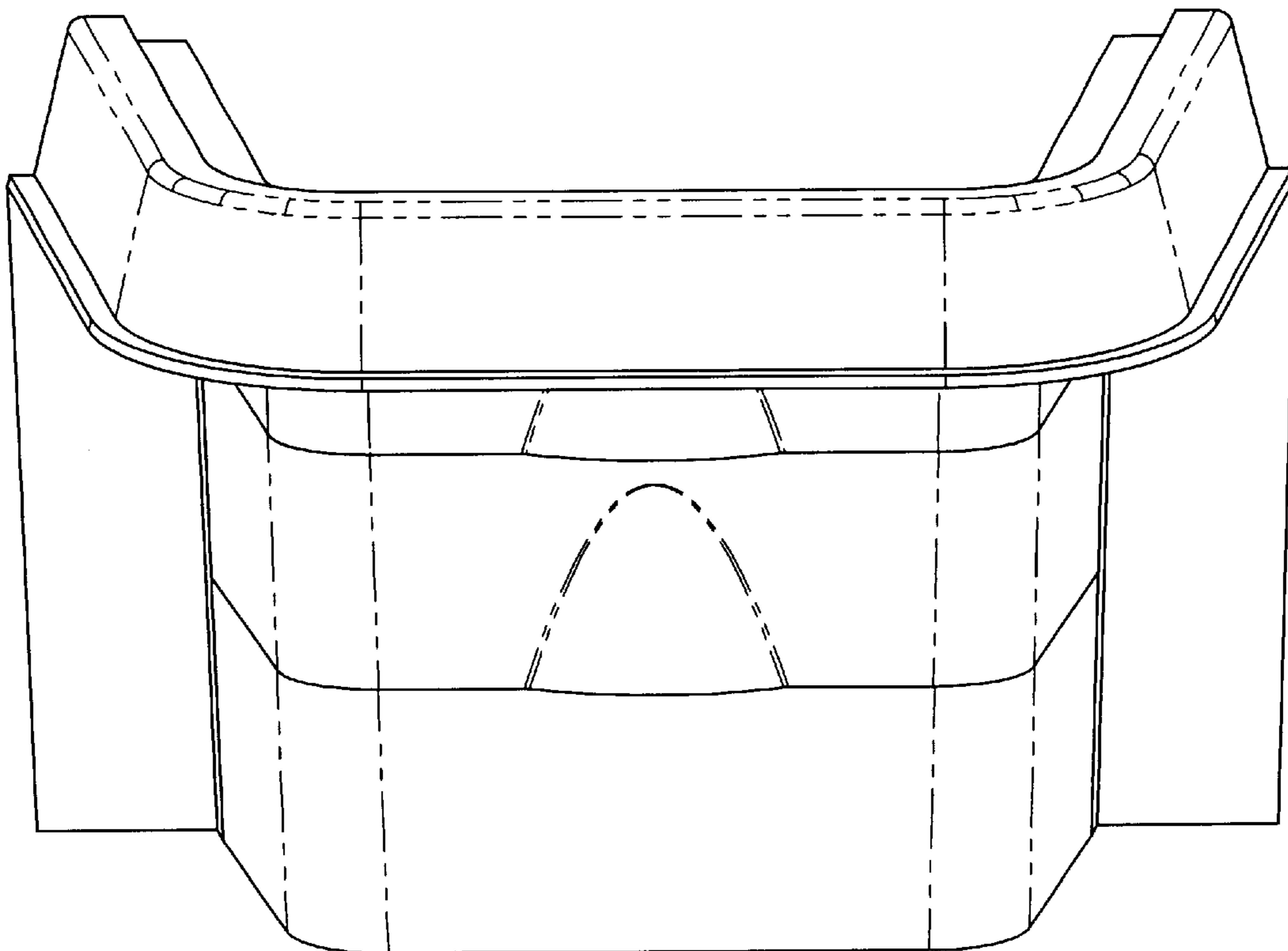
FIG. 4 is a cross sectional view taken along 4—4 of FIG. 2;

and,

FIG. 5 is a top, front perspective view thereof.

The portions of the buildings and back-fill material in FIGS. 1 and 2 are for illustrative purpose only, and form no part of the claimed design.

**1 Claim, 2 Drawing Sheets**



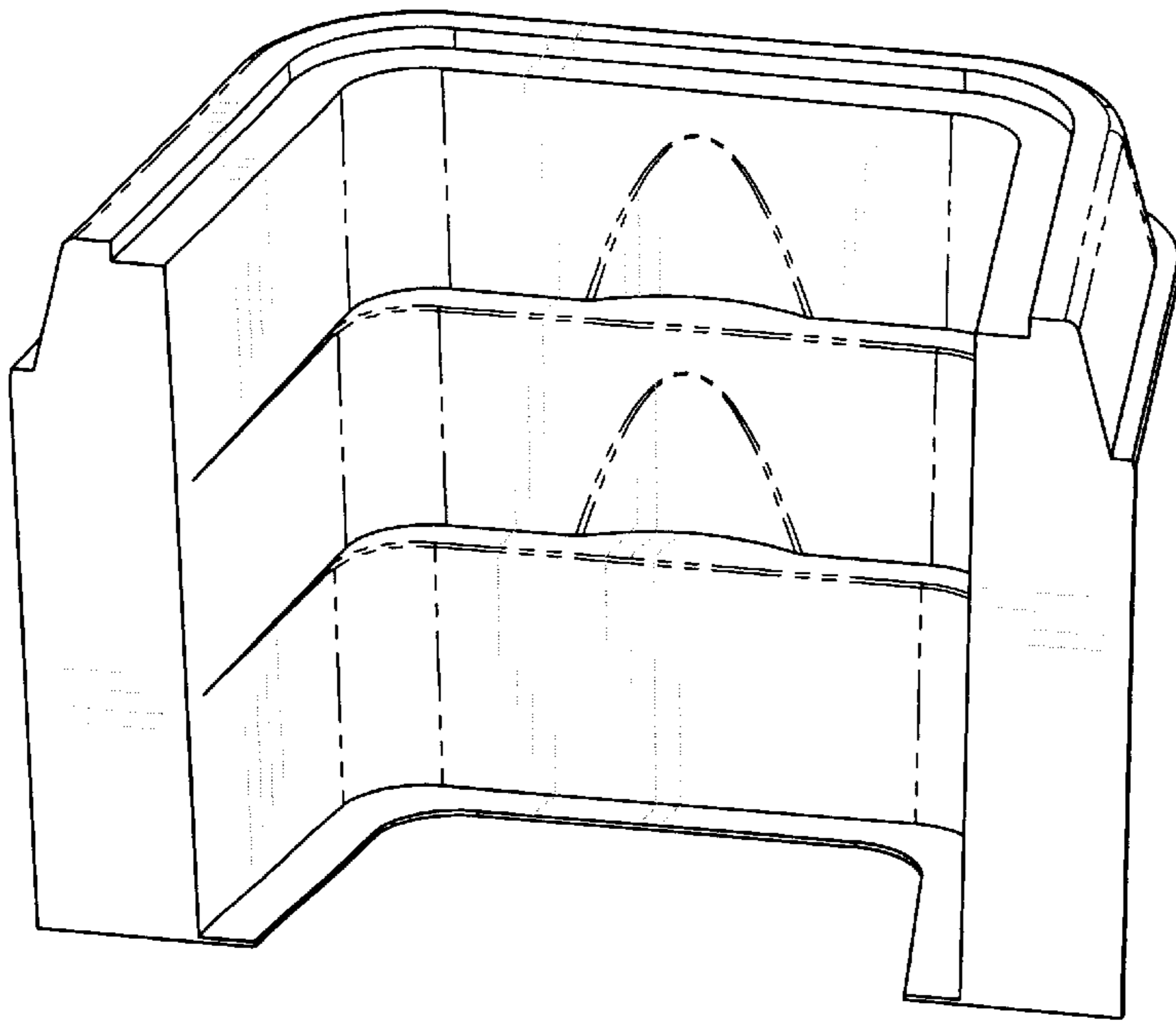


FIG. 1

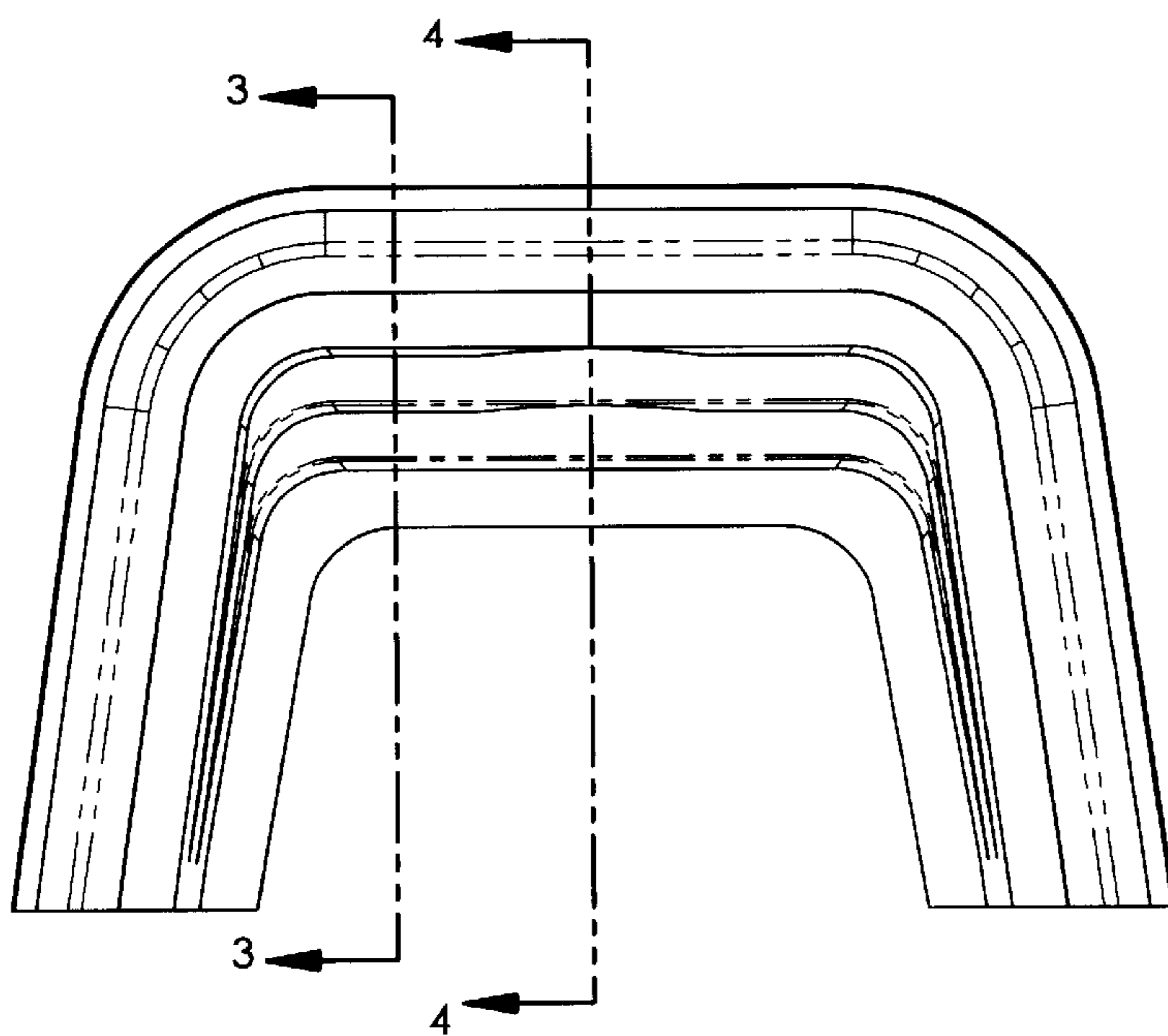


FIG. 2

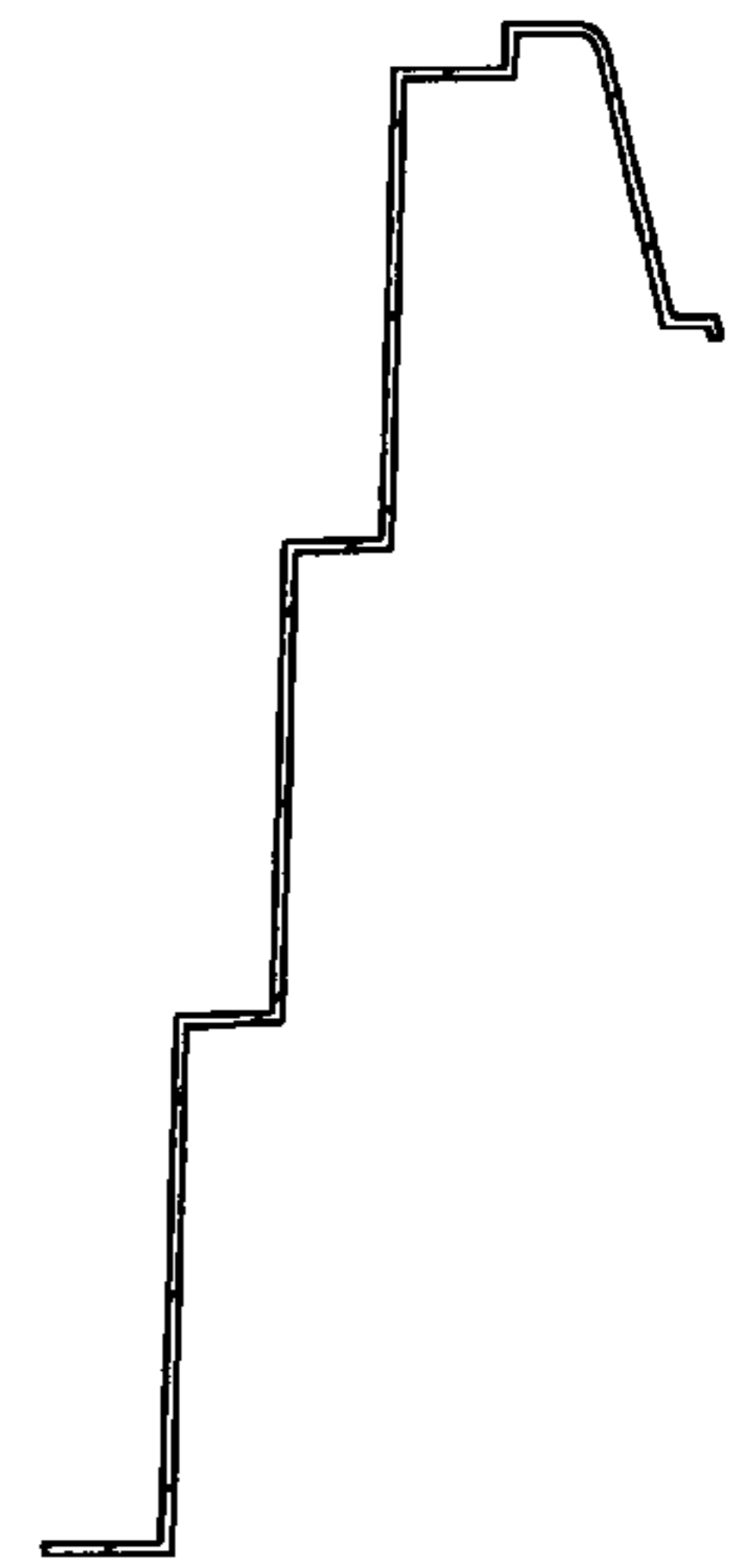


FIG. 3

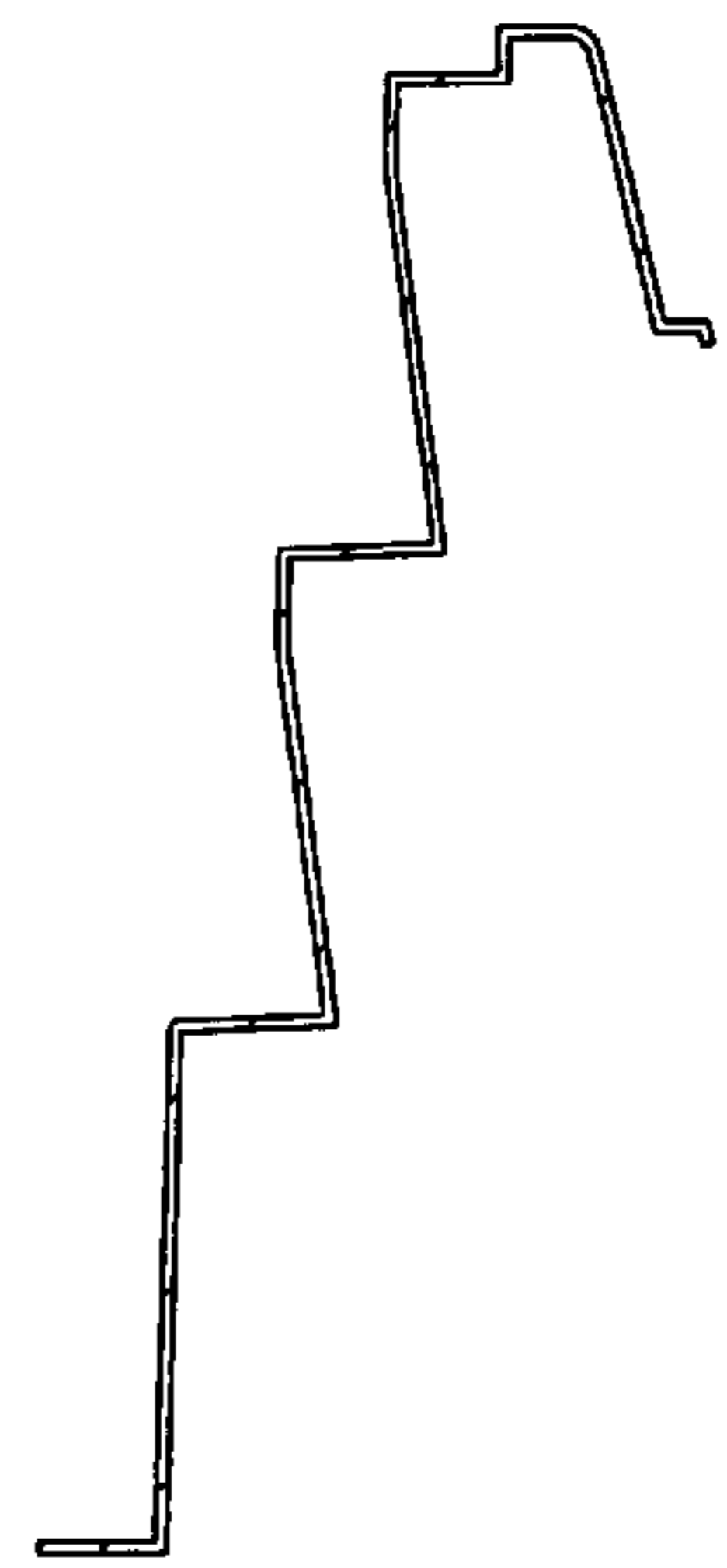


FIG. 4

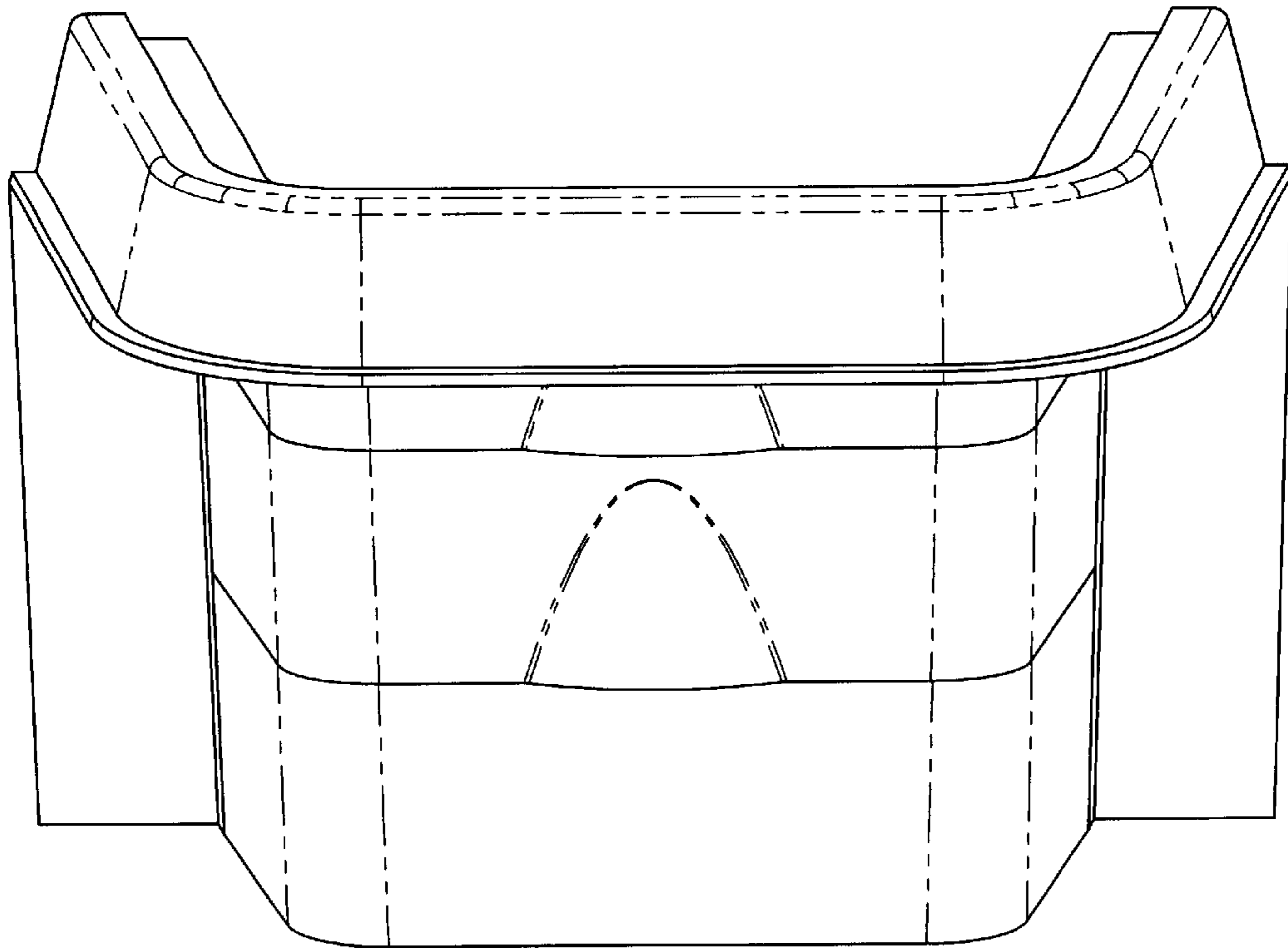


FIG. 5