



US00D486580S

(12) **United States Design Patent**
Abdel-Model

(10) **Patent No.:** **US D486,580 S**

(45) **Date of Patent:** **** Feb. 10, 2004**

(54) **RACK FOR HOLDING TISSUE CELL CULTURE FLASKS**

D327,743 S * 7/1992 Frenkel et al. D24/229

* cited by examiner

(76) **Inventor:** **Ussama M. Abdel-Model**, 79 Broad Meadow, #11B, Marlborough, MA (US) 01752

Primary Examiner—Ian Simmons
(74) *Attorney, Agent, or Firm*—William Nitkin

(**) **Term:** **14 Years**

(57) **CLAIM**

The ornamental design for a rack for holding tissue cell culture flasks, as shown and described.

(21) **Appl. No.:** **29/162,770**

(22) **Filed:** **Jun. 24, 2002**

DESCRIPTION

(51) **LOC (7) Cl.** **24-02**

(52) **U.S. Cl.** **D24/229; D24/227**

(58) **Field of Search** D24/227, 229, D24/230, 128; 422/99, 104, 297; 211/74, 71.01, 73, 60.1

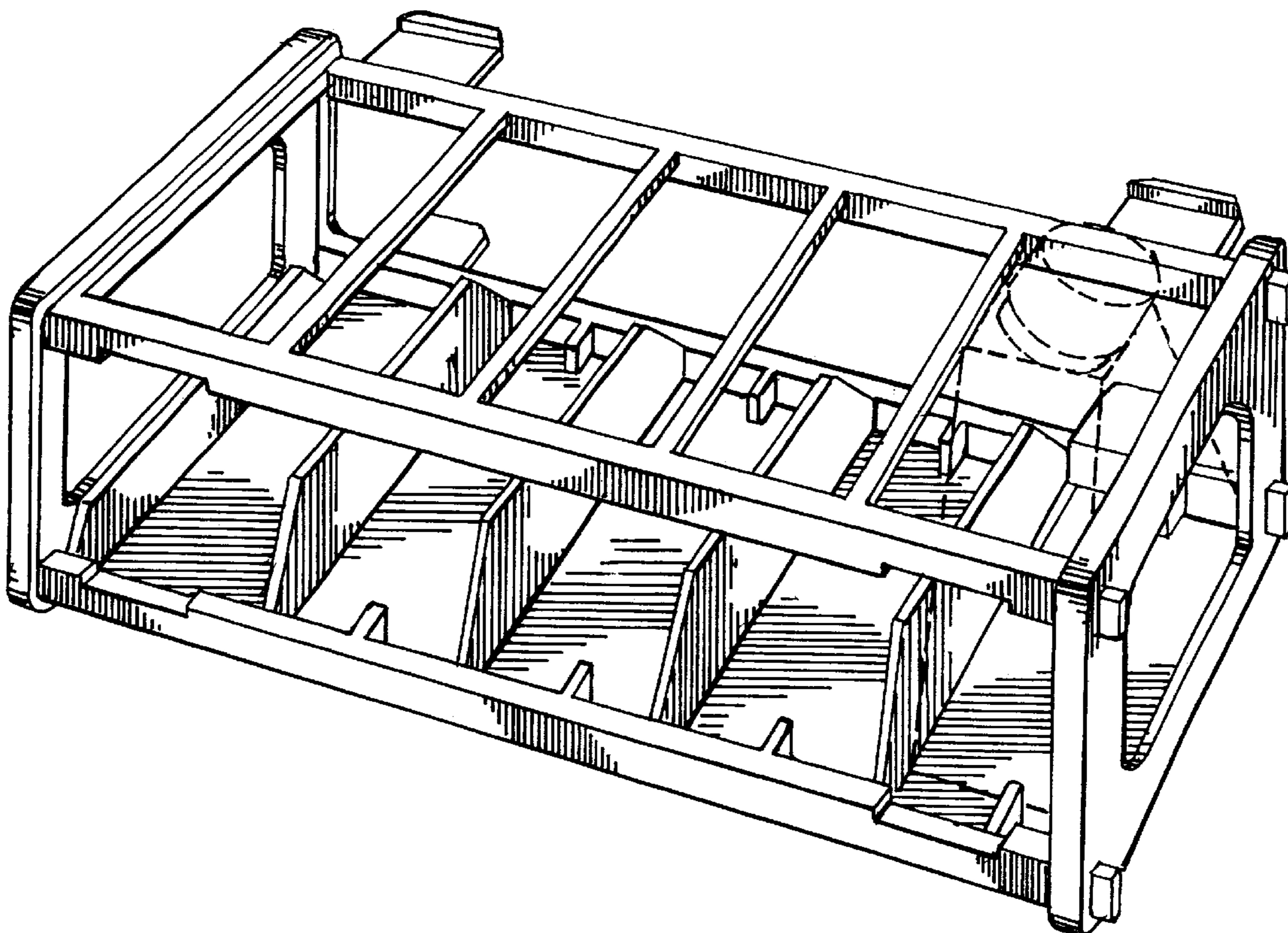
FIG. 1 is a rear elevational view of a rack for holding tissue cell culture flasks showing my new design; FIG. 2 is a front elevational view thereof; FIG. 3 is a left side elevational view thereof; FIG. 4 is a right side elevational view thereof; FIG. 5 is a bottom plan view thereof; FIG. 6 is a top plan view thereof; and, FIG. 7 is a front perspective view shown on a slightly enlarged scale with a flask shown in dashed lines.

(56) **References Cited**

U.S. PATENT DOCUMENTS

2,979,210 A * 4/1961 Patterson 211/74
3,674,198 A * 7/1972 Eberle 211/74

1 Claim, 4 Drawing Sheets



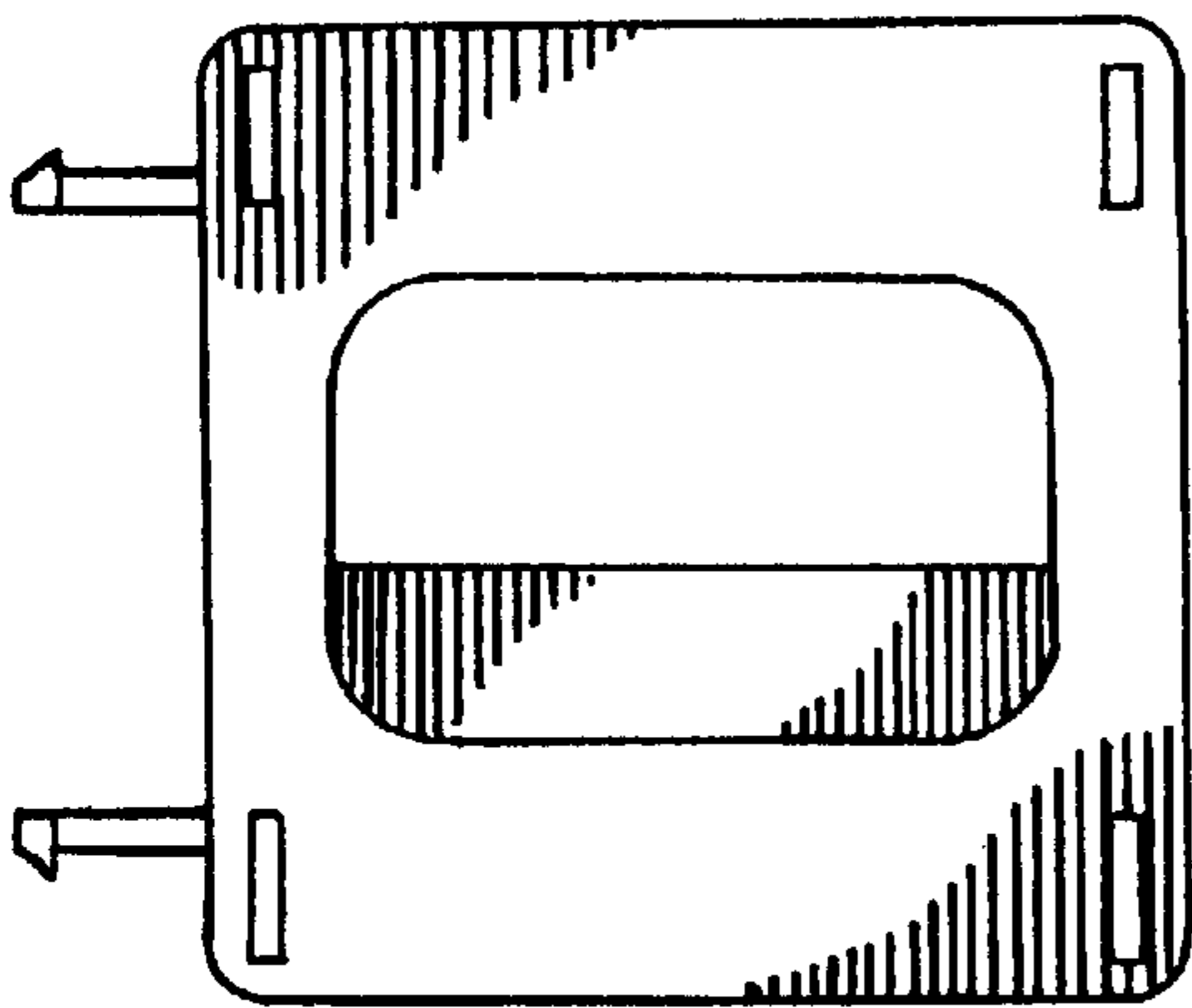


FIG. 1

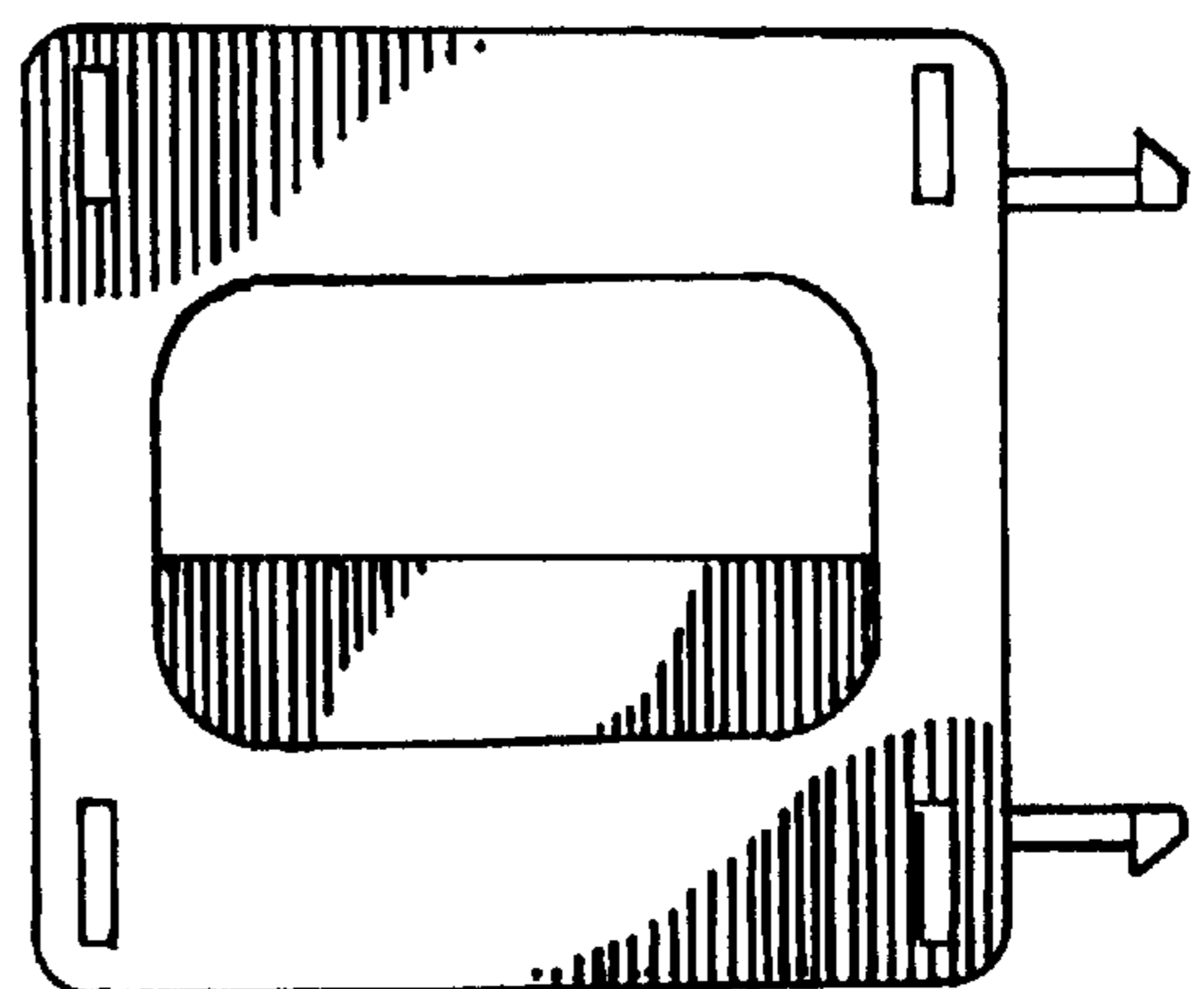


FIG. 2

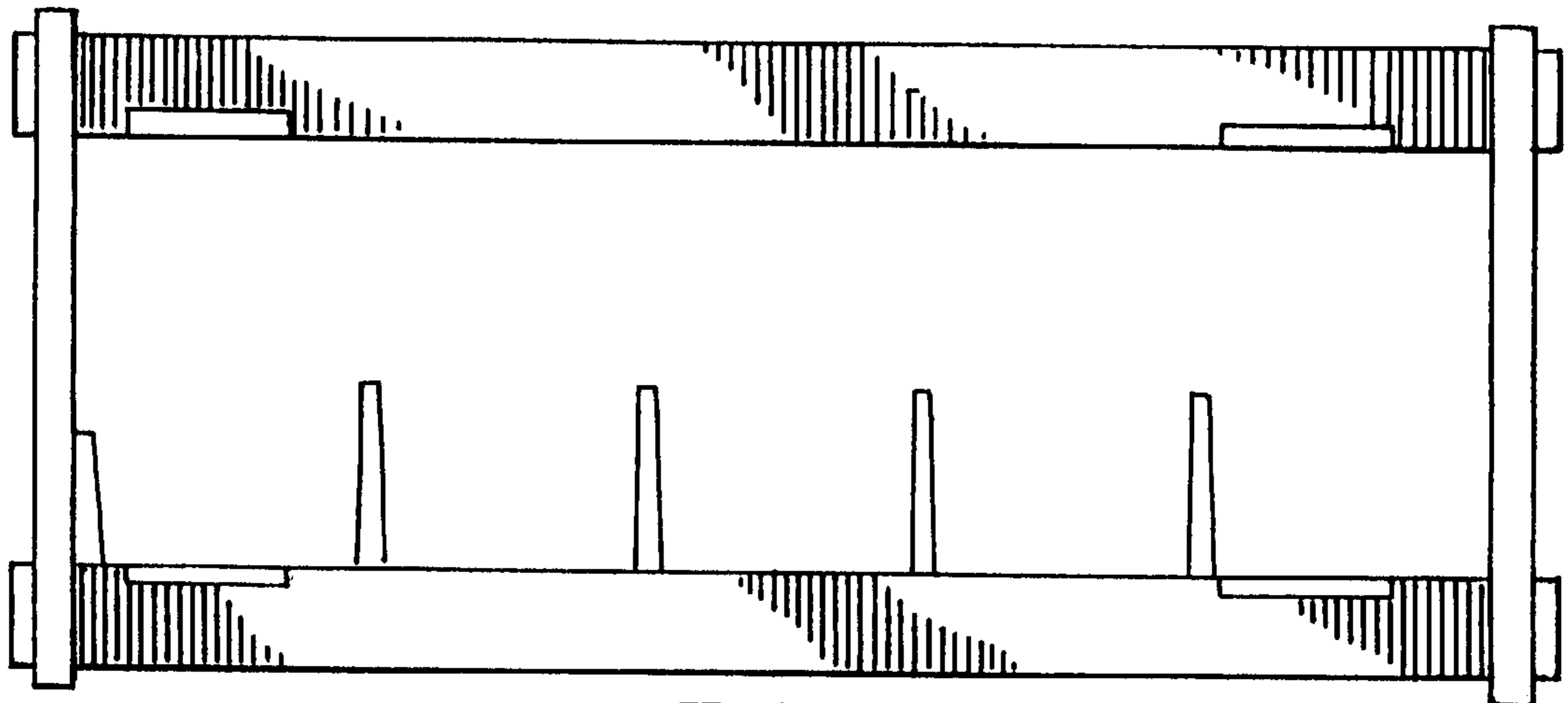


FIG. 3

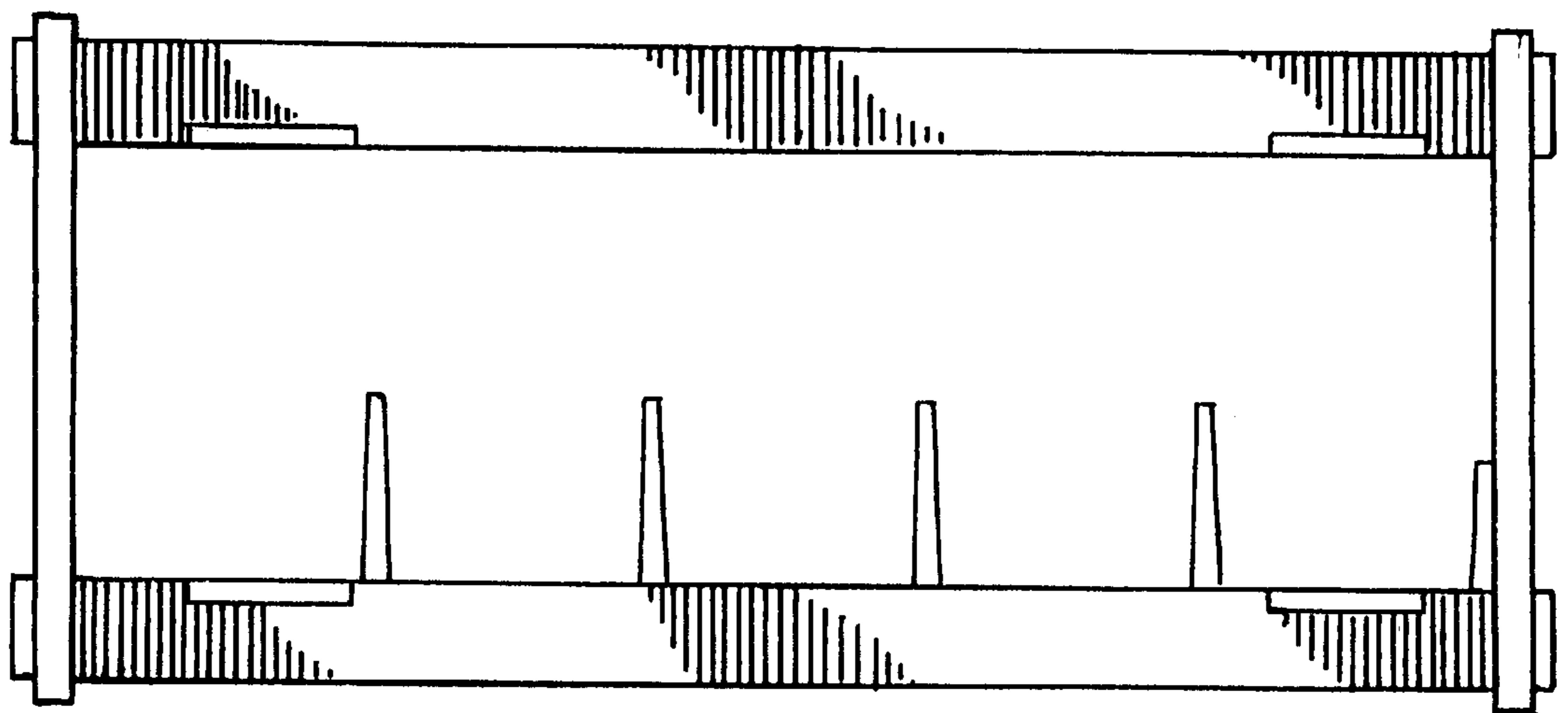


FIG. 4

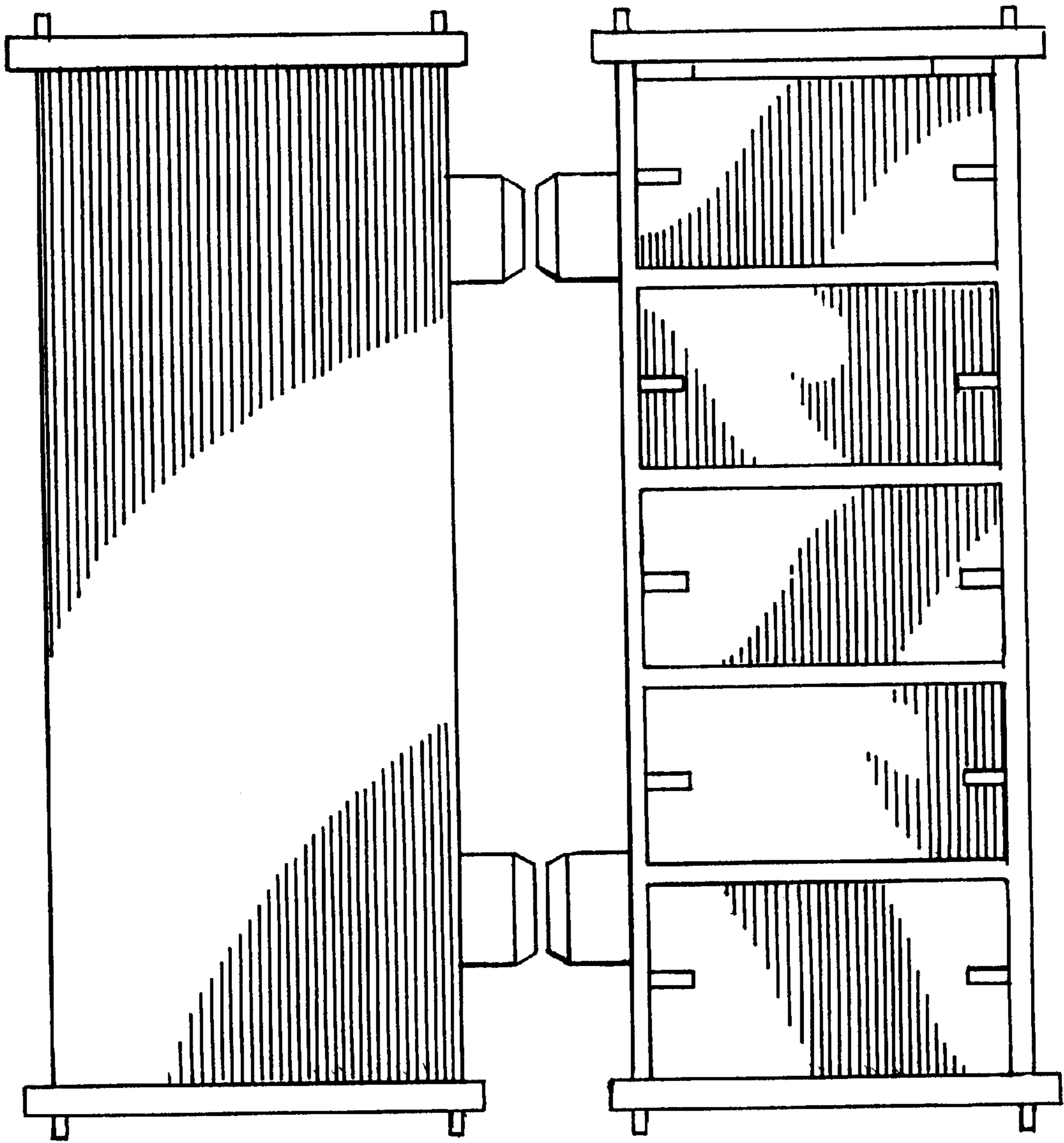


FIG.5

FIG.6

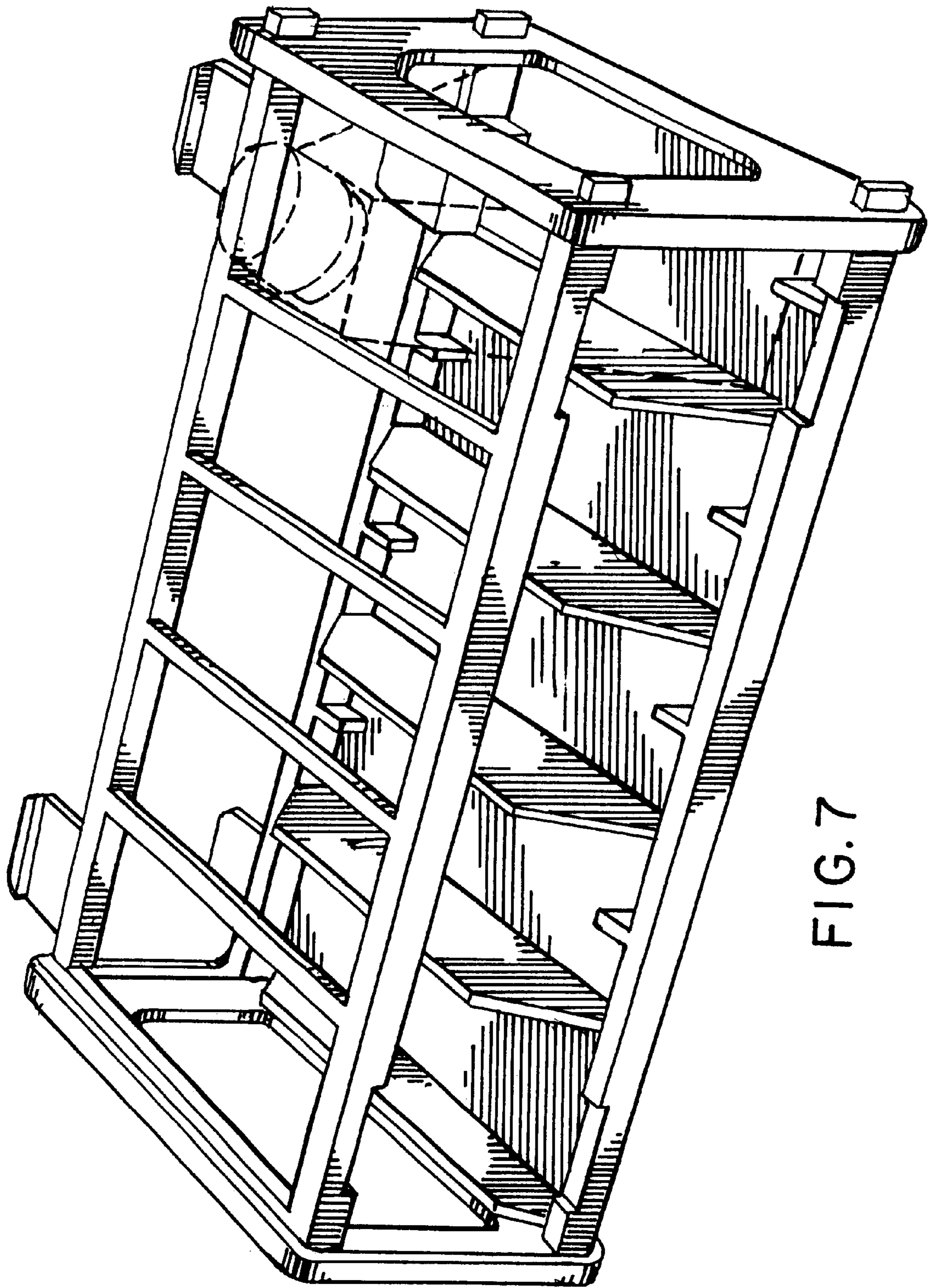


FIG. 7

UNITED STATES PATENT AND TRADEMARK OFFICE
CERTIFICATE OF CORRECTION

PATENT NO. : Des. 486,580 S
DATED : February 10, 2004
INVENTOR(S) : Ussama M. Abdel-Motal

Page 1 of 1

It is certified that error appears in the above-identified patent and that said Letters Patent is hereby corrected as shown below:

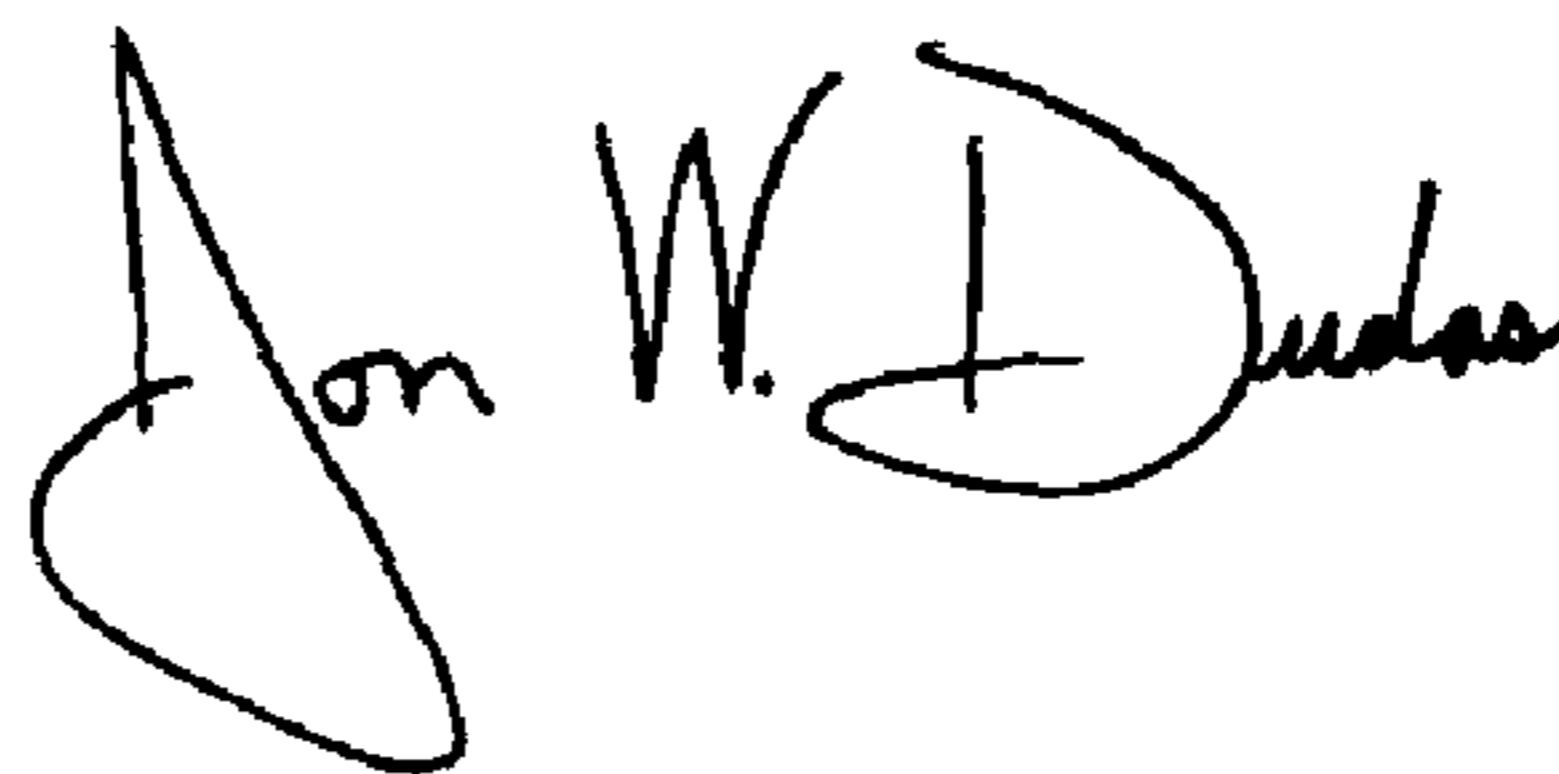
Title page,

Item [12], name should read -- **Ussama M. Abdel-Motal** --

Item [76], Inventor's name should read -- **Ussama M. Abdel-Motal** --

Signed and Sealed this

Twentieth Day of April, 2004

A handwritten signature in black ink that reads "Jon W. Dudas". The signature is written in a cursive style with a large, looped initial "J".

JON W. DUDAS
Acting Director of the United States Patent and Trademark Office