



US00D486572S

(12) **United States Design Patent**
Chen et al.

(10) **Patent No.:** **US D486,572 S**

(45) **Date of Patent:** **** Feb. 10, 2004**

(54) **IMPELLER**

D463,021 S * 9/2002 Huang et al. D23/413

(75) Inventors: **Te-Fu Chen**, Yunlin (TW); **Ju-Wen Hsieh**, Changhua (TW); **Tsung-Yu Lei**, Taipei (TW)

* cited by examiner

Primary Examiner—Lisa Lichtenstein
(74) *Attorney, Agent, or Firm*—Birch, Stewart, Kolasch & Birch, LLP

(73) Assignee: **Delta Electronics Inc.** (TW)

(**) Term: **14 Years**

(57) **CLAIM**

The ornamental design for an impeller, as shown and described herein.

(21) Appl. No.: **29/179,927**

(22) Filed: **Apr. 17, 2003**

DESCRIPTION

(51) **LOC (7) Cl.** **23-04**

(52) **U.S. Cl.** **D23/413**

(58) **Field of Search** D23/370, 379,
D23/413; 416/223 R, 238, 243, 179, 182;
361/695

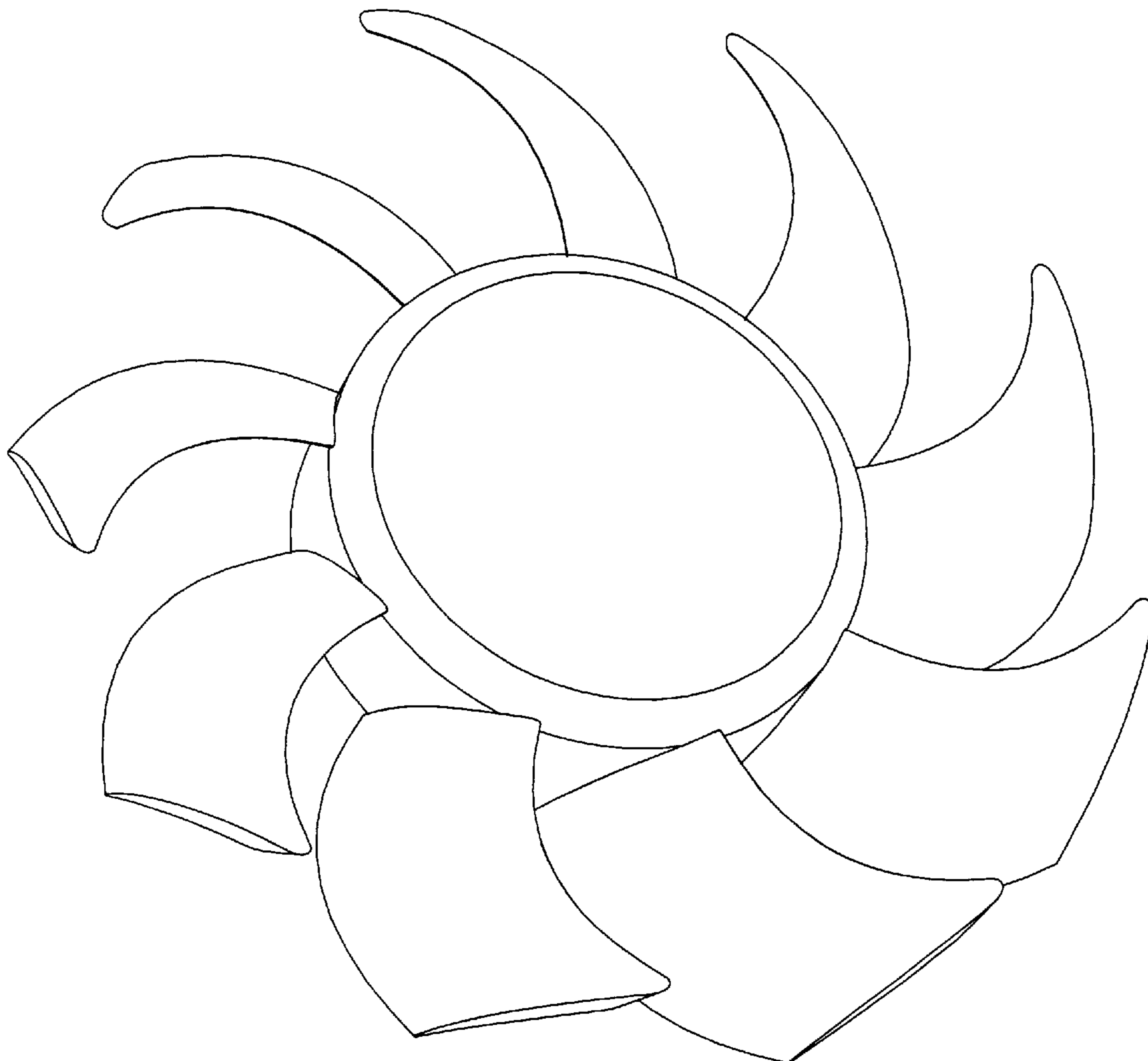
FIG. 1 is a perspective view of an impeller showing our new design;
FIG. 2 is a right side view thereof;
FIG. 3 is a top view thereof;
FIG. 4 is a front view thereof;
FIG. 5 is a bottom view thereof;
FIG. 6 is a left side view thereof; and,
FIG. 7 is a rear view thereof.

(56) **References Cited**

U.S. PATENT DOCUMENTS

D453,827 S * 2/2002 Kuo et al. D23/413

1 Claim, 4 Drawing Sheets



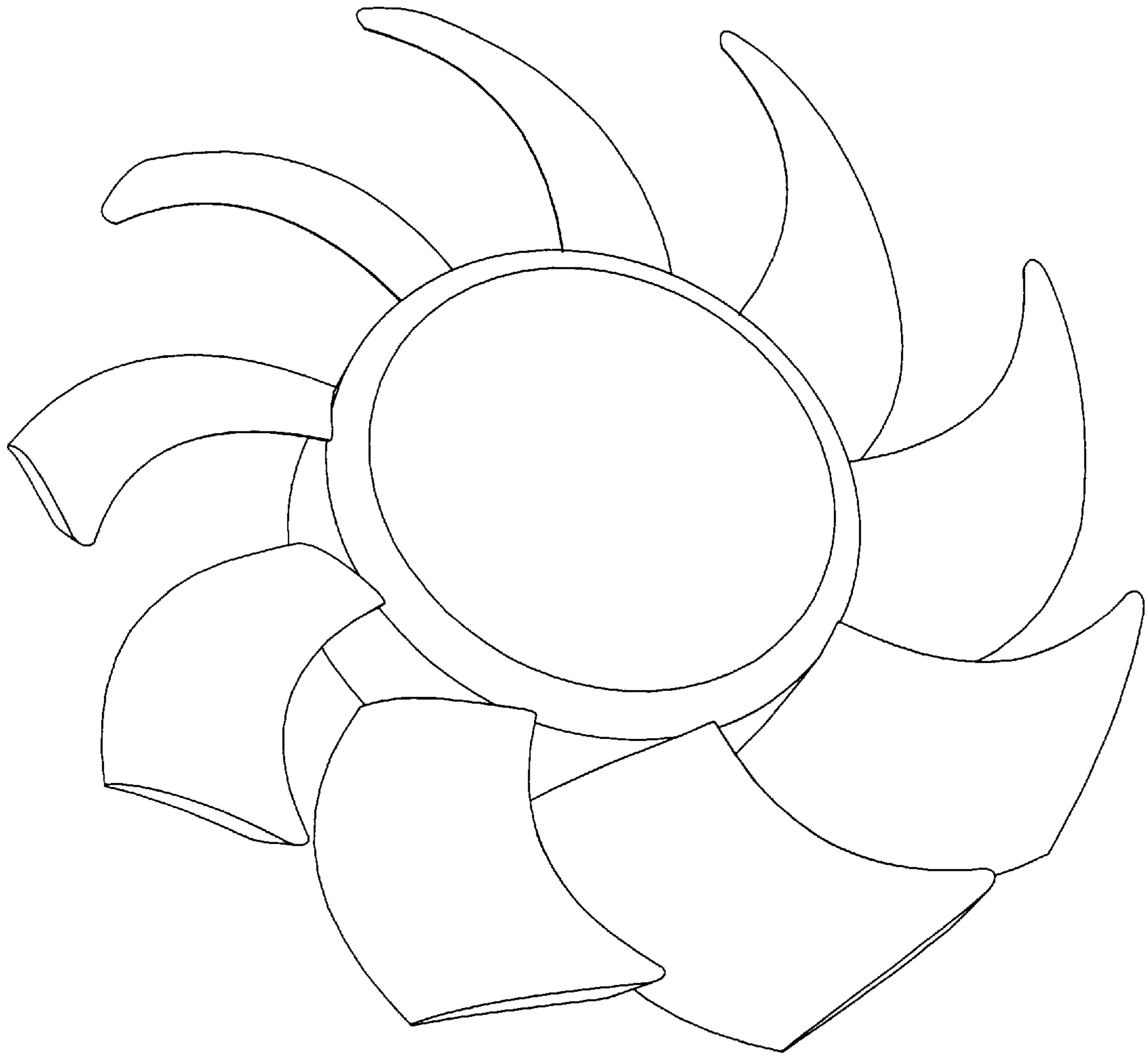


FIG. 1

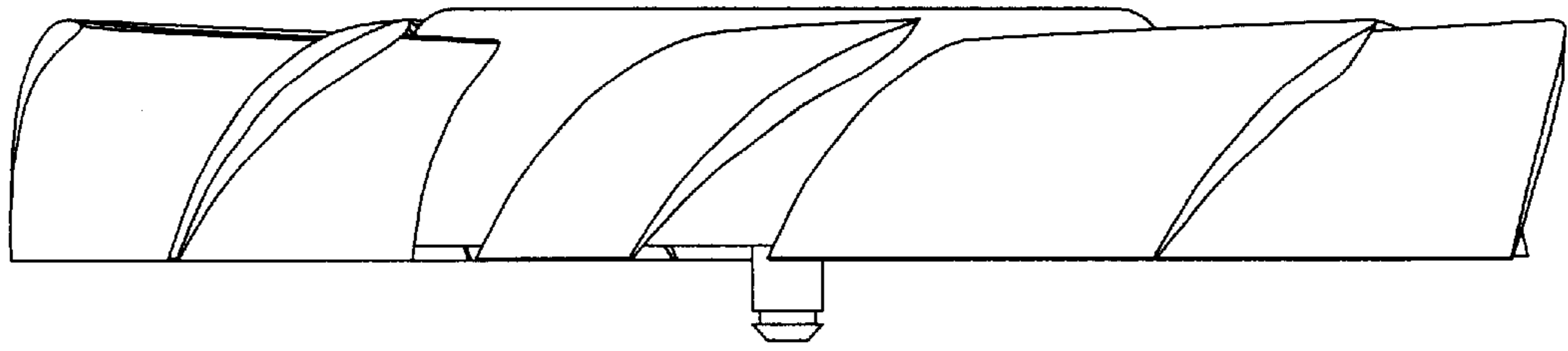


FIG. 2

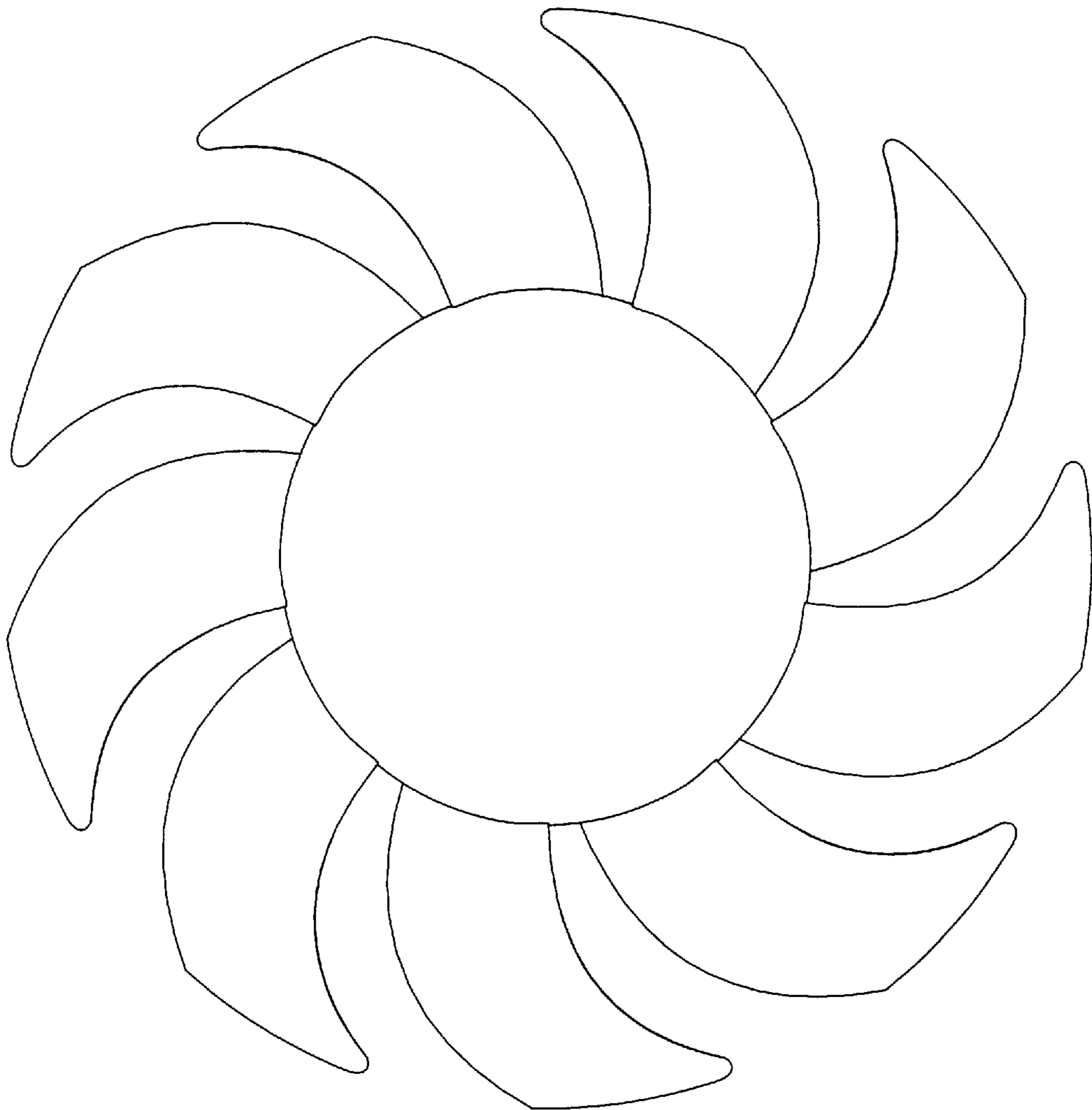


FIG. 3

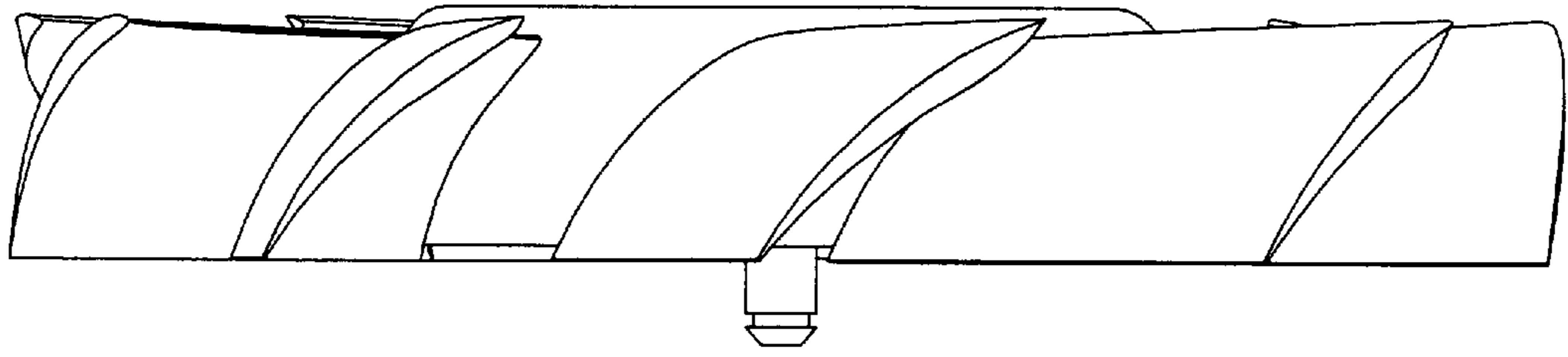


FIG. 4

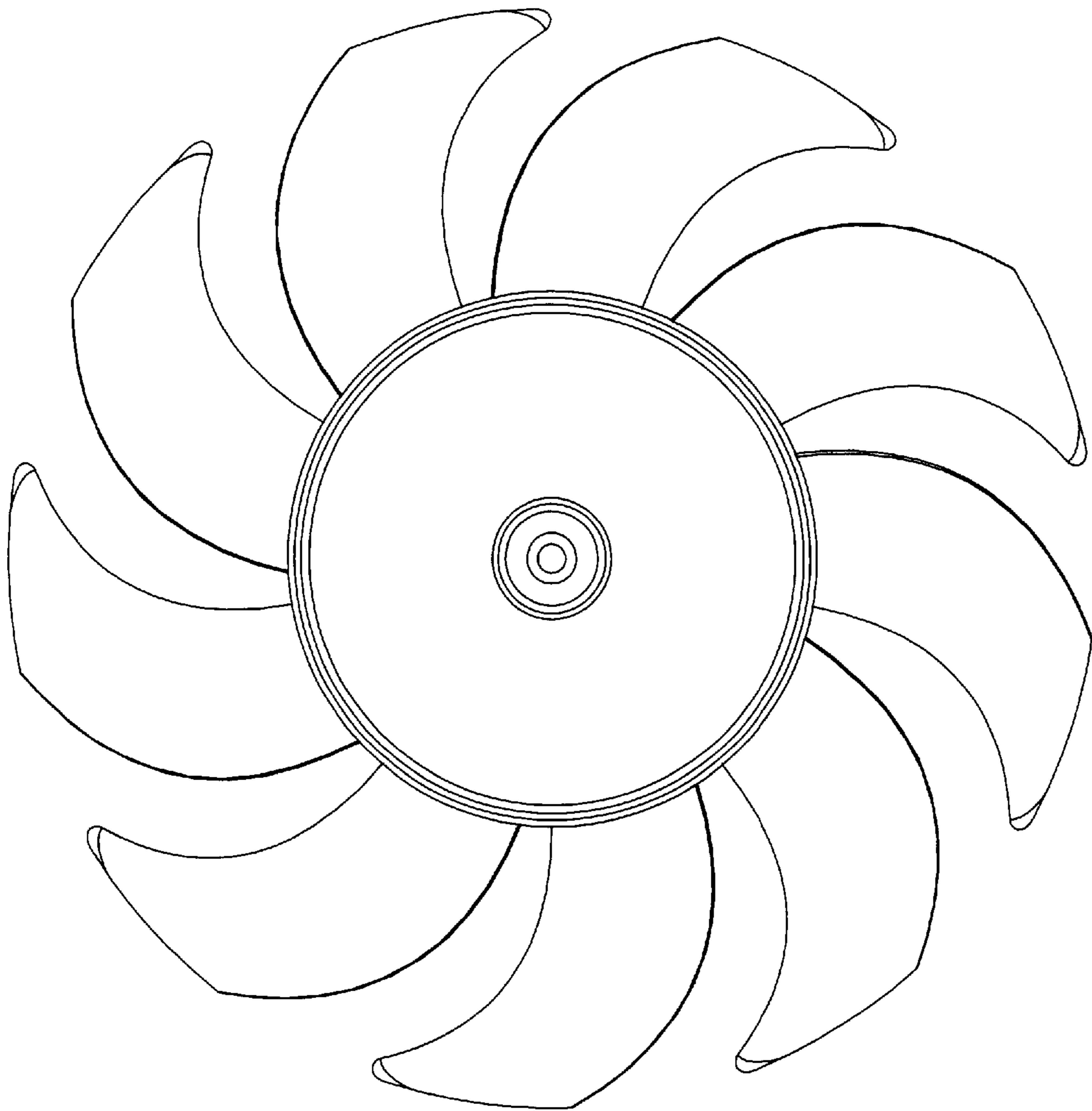


FIG. 5

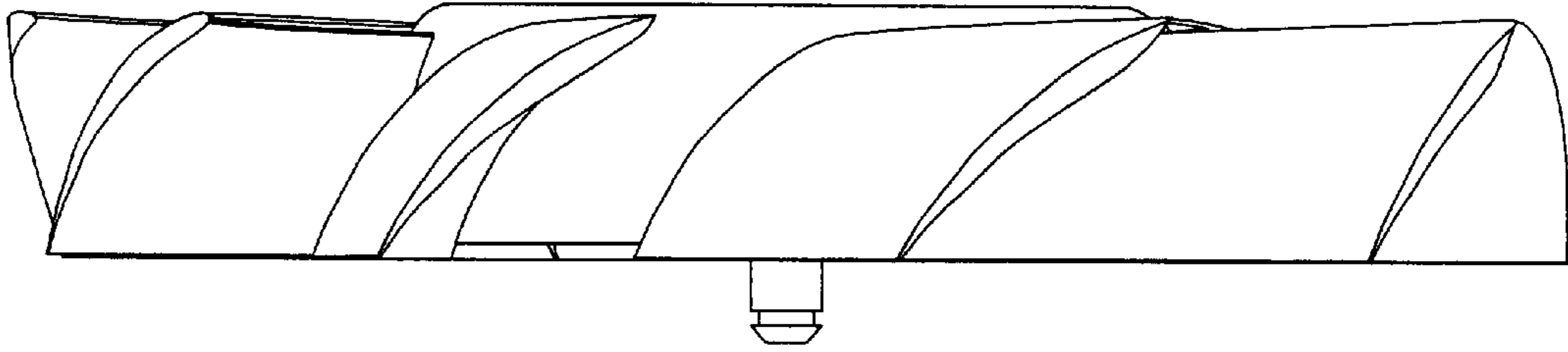


FIG. 6

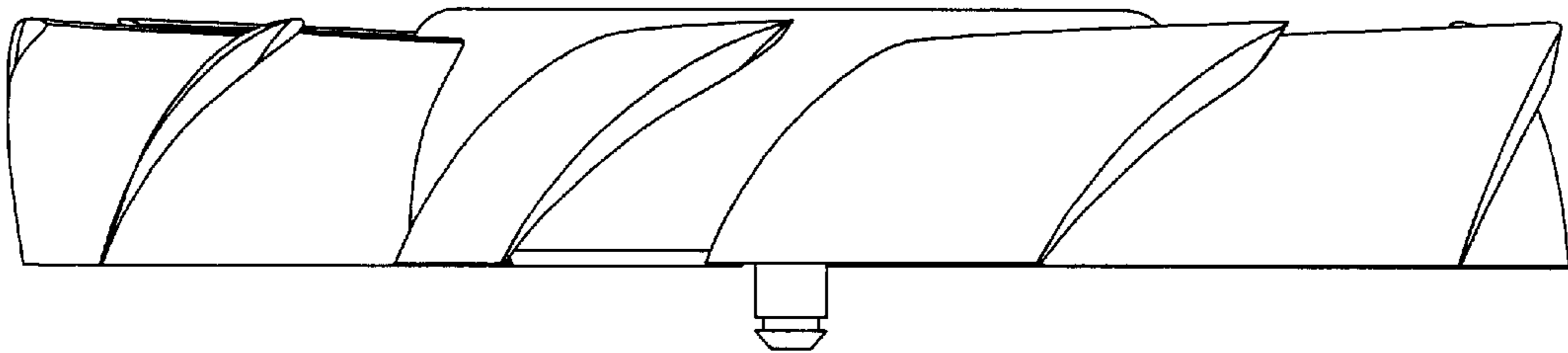


FIG. 7