



US00D486569S

(12) **United States Design Patent**  
**Chen et al.**

(10) **Patent No.:** **US D486,569 S**

(45) **Date of Patent:** **\*\* Feb. 10, 2004**

(54) **FAN BLADE**

(75) Inventors: **Heng-Yi Chen**, Chiai (TW); **Yu-Lung Dung**, Taoyuan (TW); **Hsiu-Wei Wu**, Taipei (TW); **Chin-Fu Lee**, Changhua (TW)

(73) Assignee: **Delta Electronics, Inc.** (TW)

(\*\*) Term: **14 Years**

(21) Appl. No.: **29/181,044**

(22) Filed: **May 5, 2003**

(51) **LOC (7) Cl.** ..... **23-04**

(52) **U.S. Cl.** ..... **D23/411**

(58) **Field of Search** ..... D23/379, 413,  
D23/411, 370; 416/223 R, 238; 361/695,  
697

(56) **References Cited**

**U.S. PATENT DOCUMENTS**

D368,772 S \* 4/1996 Liao ..... D23/411  
6,587,341 B1 \* 7/2003 Wei ..... 361/695

\* cited by examiner

*Primary Examiner*—Lisa Lichtenstein  
(74) *Attorney, Agent, or Firm*—Birch, Stewart, Kolasch & Birch, LLP

(57) **CLAIM**

The ornamental design for a fan blade, as shown and described herein.

**DESCRIPTION**

FIG. 1 is an environmental perspective view of a fan blade showing our new design;

FIG. 2 is an enlarged top view thereof;

FIG. 3 is an enlarged bottom view thereof;

FIG. 4 is an enlarged front end view thereof;

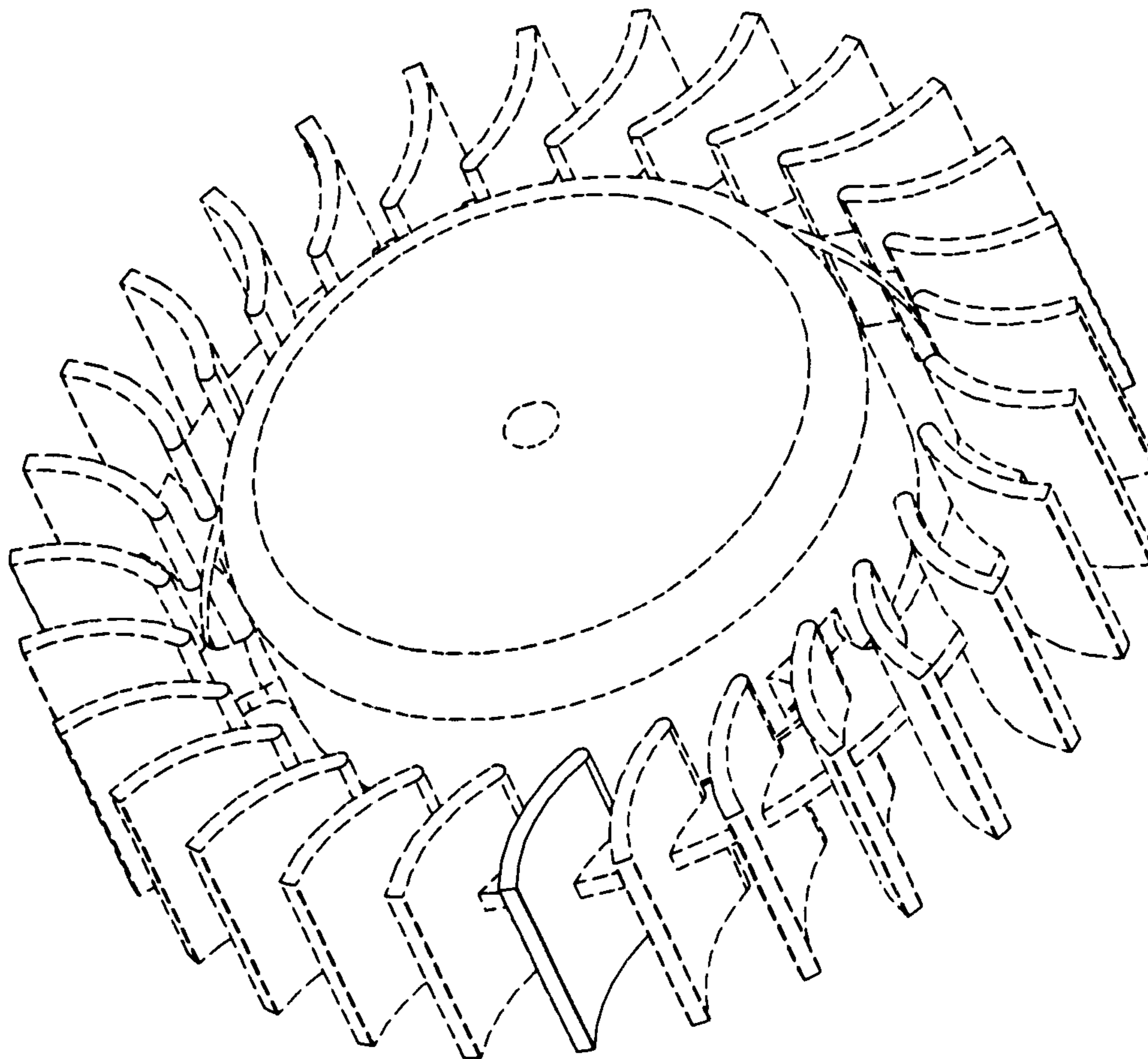
FIG. 5 is an enlarged rear end view thereof;

FIG. 6 is an enlarged left side view thereof; and,

FIG. 7 is an enlarged right side view thereof.

The broken line showing of environmental structure in FIG. 1 is for illustrative purpose only and forms no part of the claimed design.

**1 Claim, 4 Drawing Sheets**



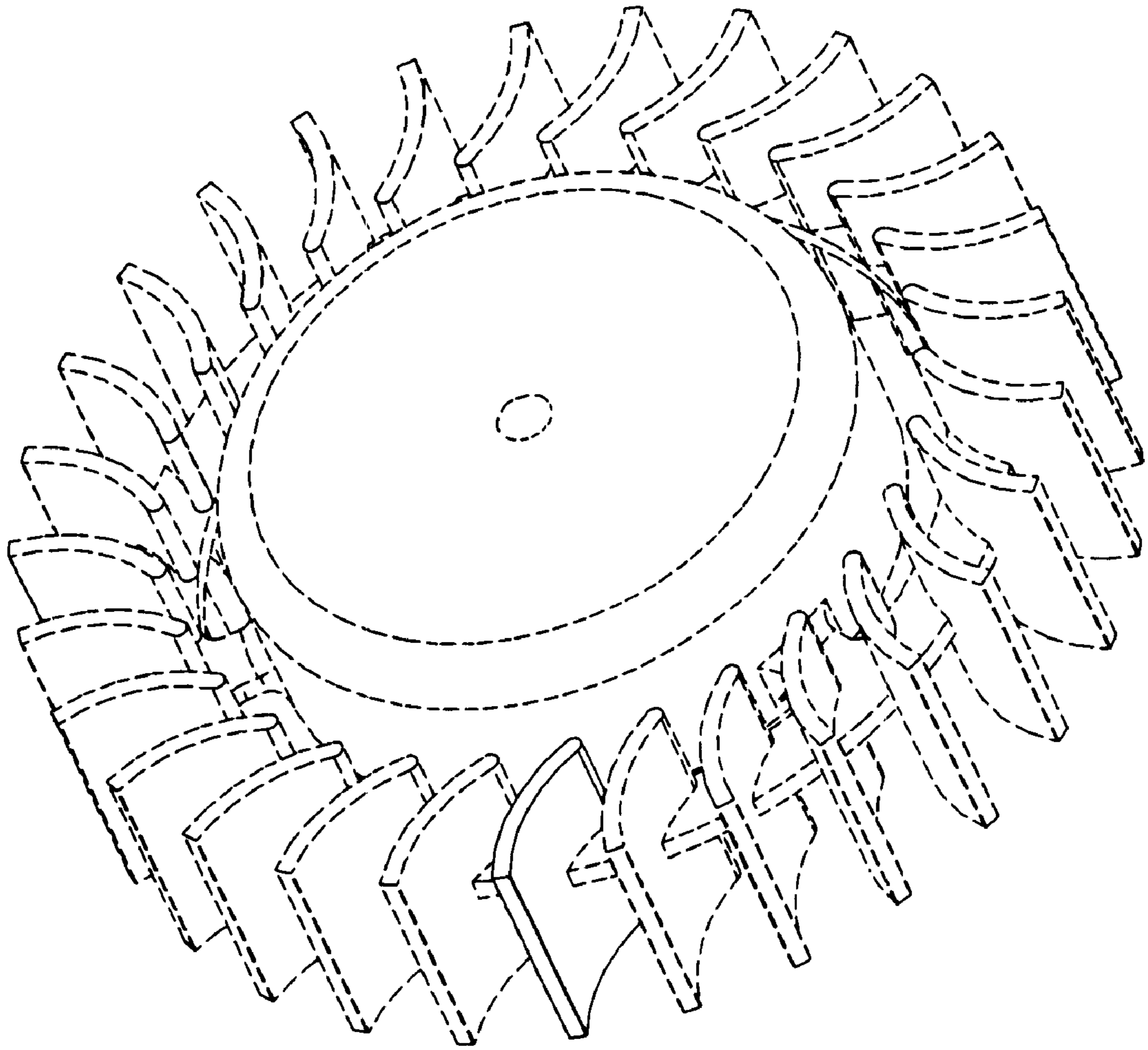


Fig. 1

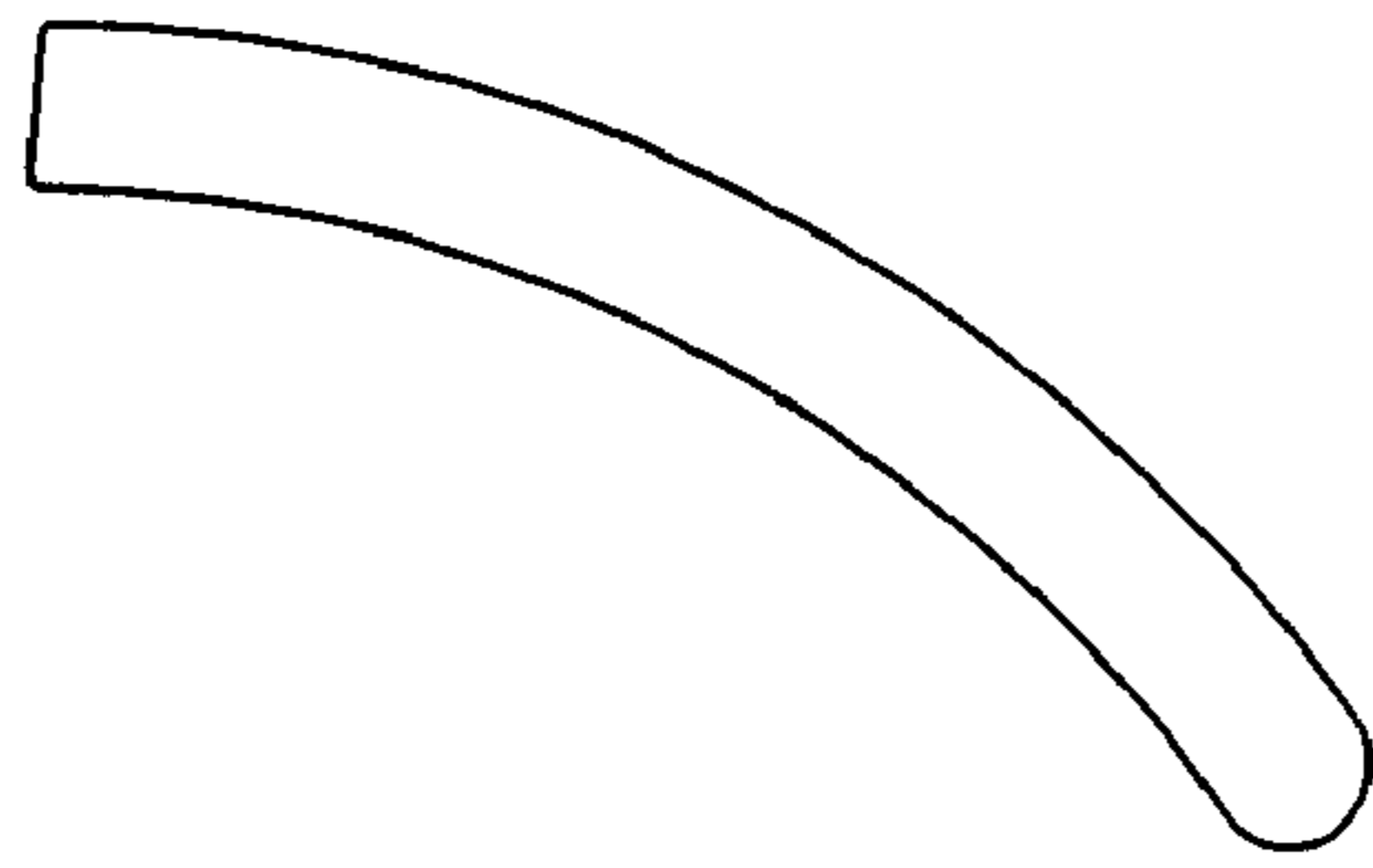


Fig. 2

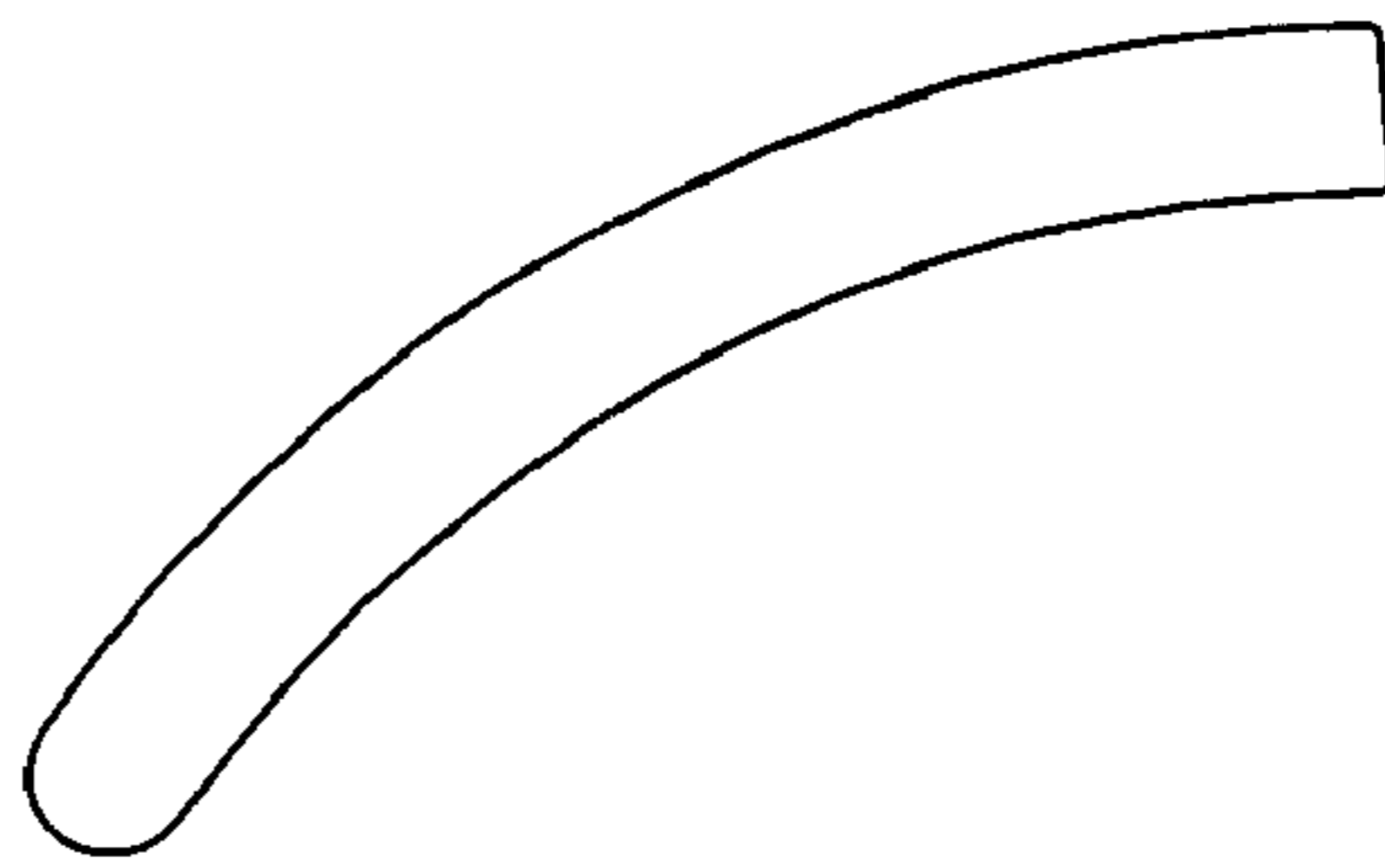


Fig. 3

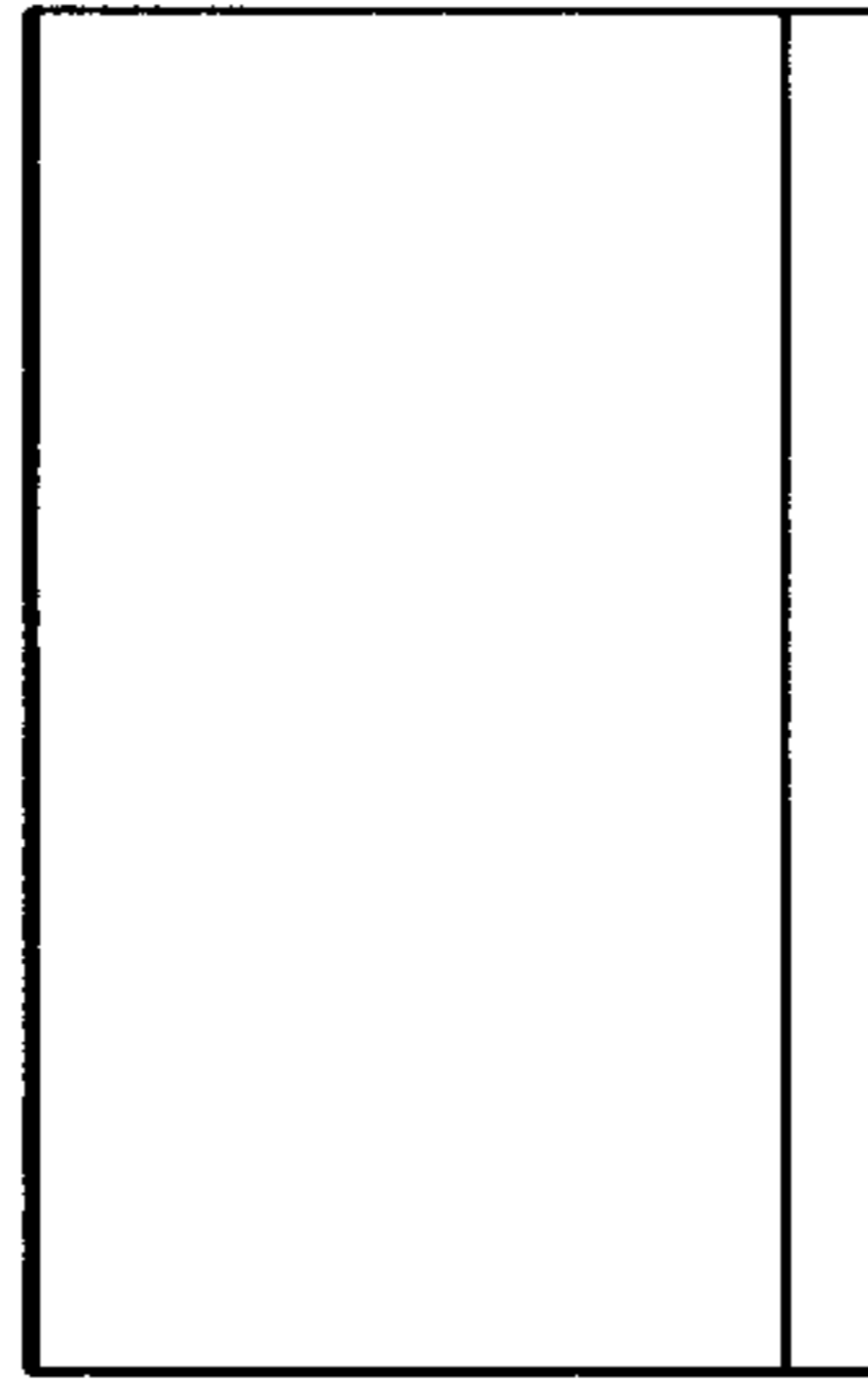


Fig. 4

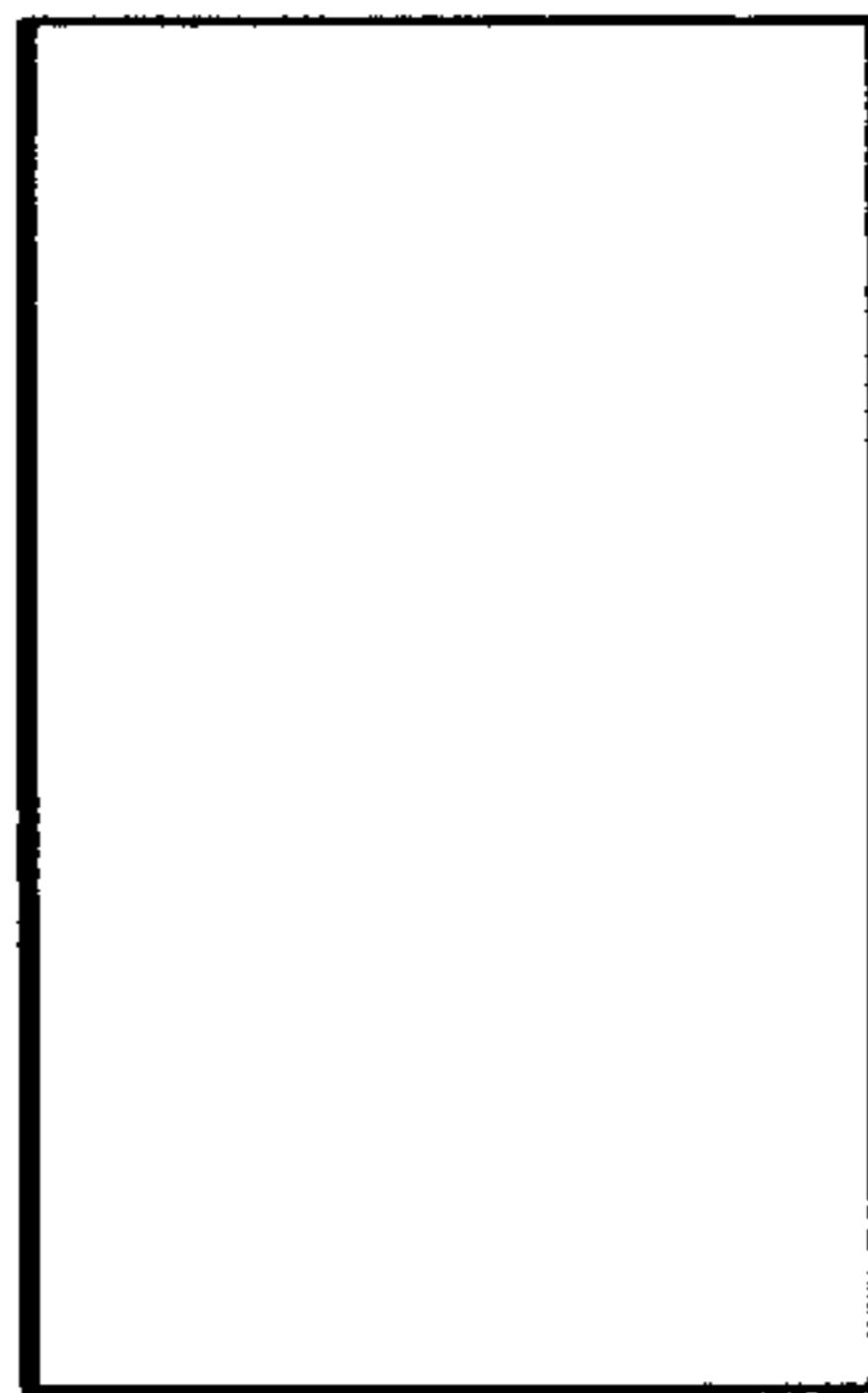


Fig. 5

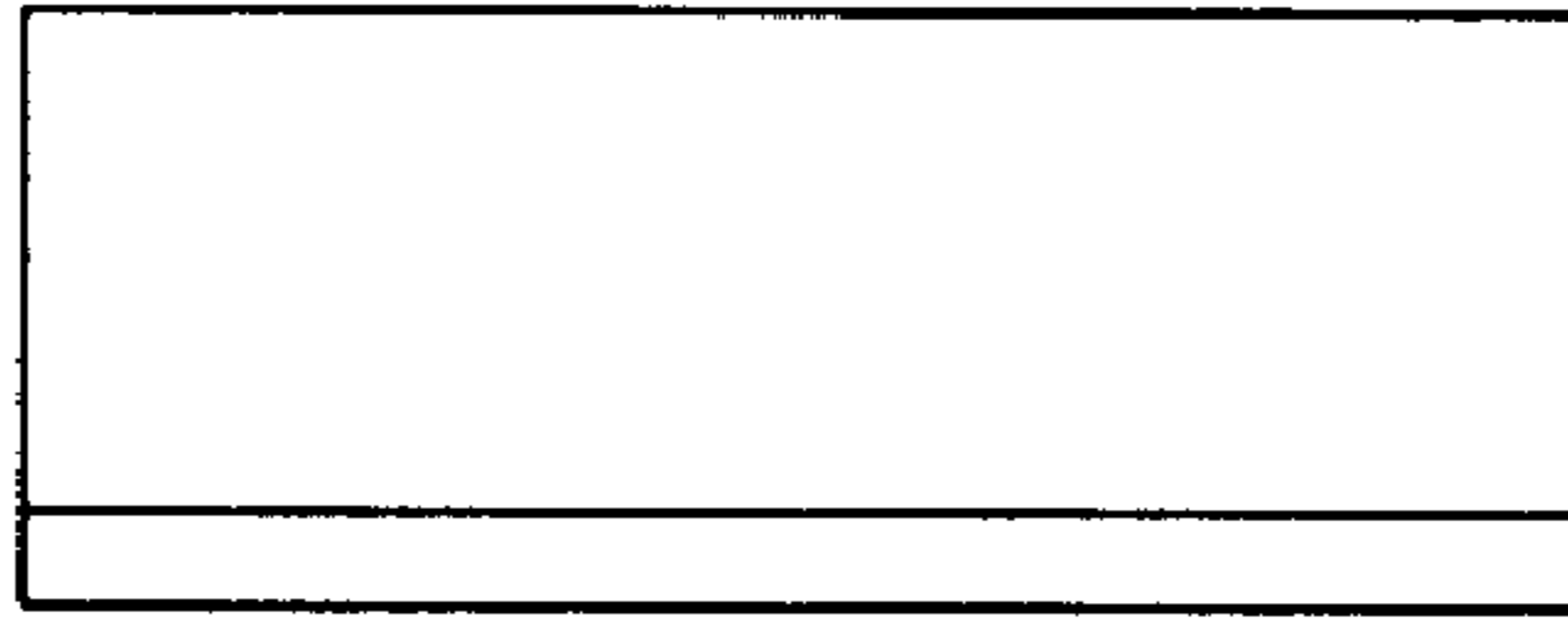


Fig. 6

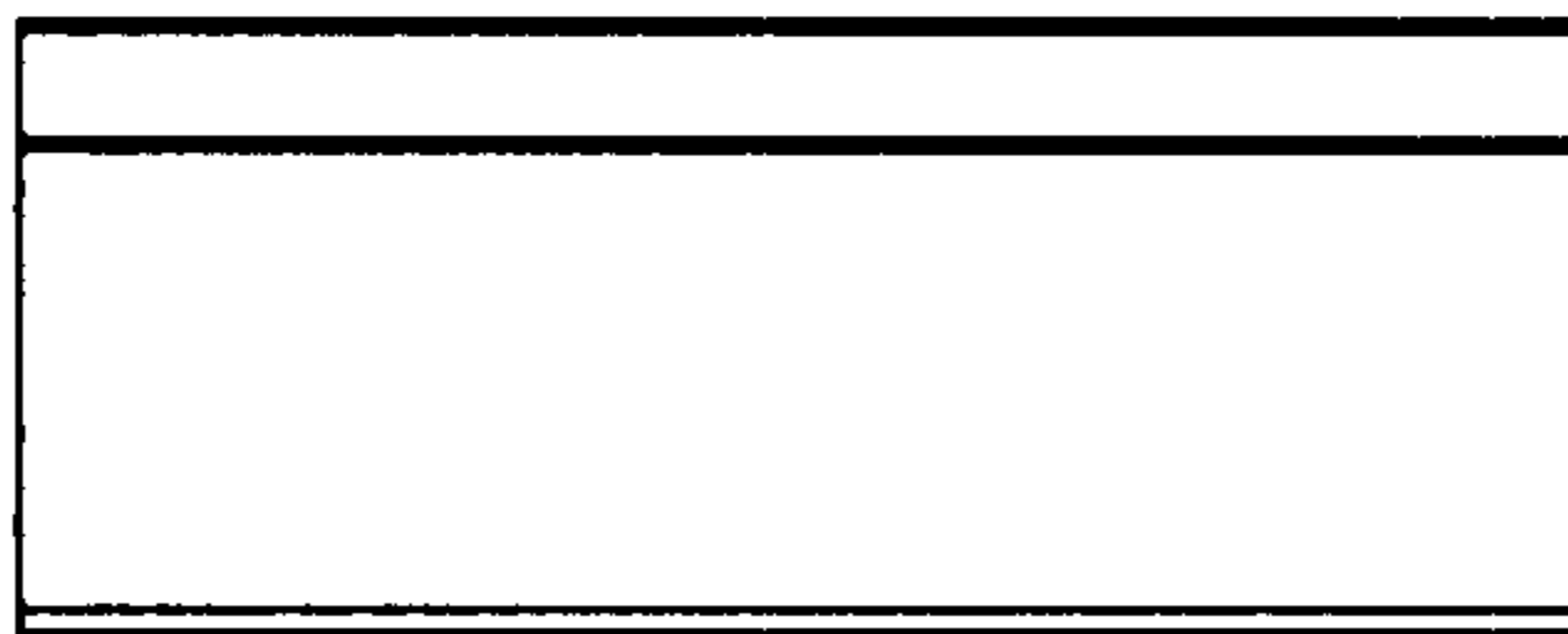


Fig. 7