



US00D486562S

(12) **United States Design Patent**
Spangler

(10) **Patent No.:** **US D486,562 S**

(45) **Date of Patent:** **** Feb. 10, 2004**

(54) **TUB SPOUT**

(75) Inventor: **Anthony G. Spangler**, Greensburg, IN (US)

(73) Assignee: **Masco Corporation of Indiana**, Indianapolis, IN (US)

(**) Term: **14 Years**

(21) Appl. No.: **29/178,076**

(22) Filed: **Mar. 20, 2003**

(51) **LOC (7) Cl.** **23-01**

(52) **U.S. Cl.** **D23/255; D23/238**

(58) **Field of Search** **D23/238-243, D23/250-257; 4/675-678; 137/801**

(56) **References Cited**

U.S. PATENT DOCUMENTS

D207,576 S	*	5/1967	Armstrong	D23/238
D280,233 S	*	8/1985	Fleischmann	D23/238
D388,157 S	*	12/1997	Bauer et al.	D23/238
D445,166 S	*	7/2001	Spangler	D23/238

* cited by examiner

Primary Examiner—Louis S. Zarfaz

Assistant Examiner—Gregory Andoll

(74) *Attorney, Agent, or Firm*—Kwadjo Adusei-Poku; Lloyd D. Doigan

(57) **CLAIM**

The ornamental design for a tub spout, as shown and described.

DESCRIPTION

FIG. 1 is a front perspective view of a tub spout showing my new design;

FIG. 2 is a rear perspective view thereof;

FIG. 3 is a right side elevational view thereof;

FIG. 4 is a top plan view thereof;

FIG. 5 is a rear elevational view thereof;

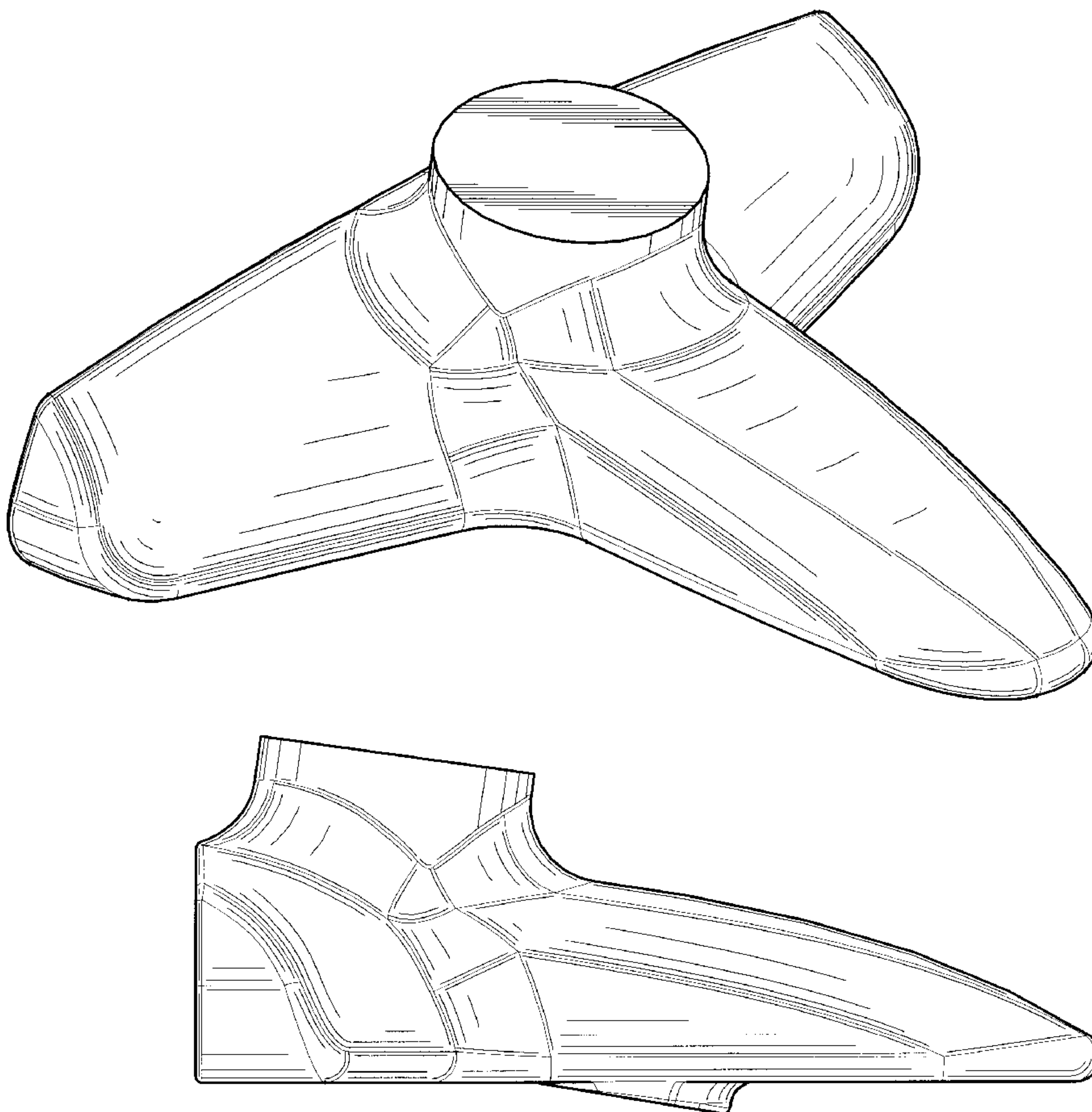
FIG. 6 is a front elevational view thereof;

FIG. 7 is a left side elevational view thereof; and,

FIG. 8 is a bottom plan view thereof.

The broken lines in the Figures are for illustrative purposes only and form no part of the claimed design.

1 Claim, 8 Drawing Sheets



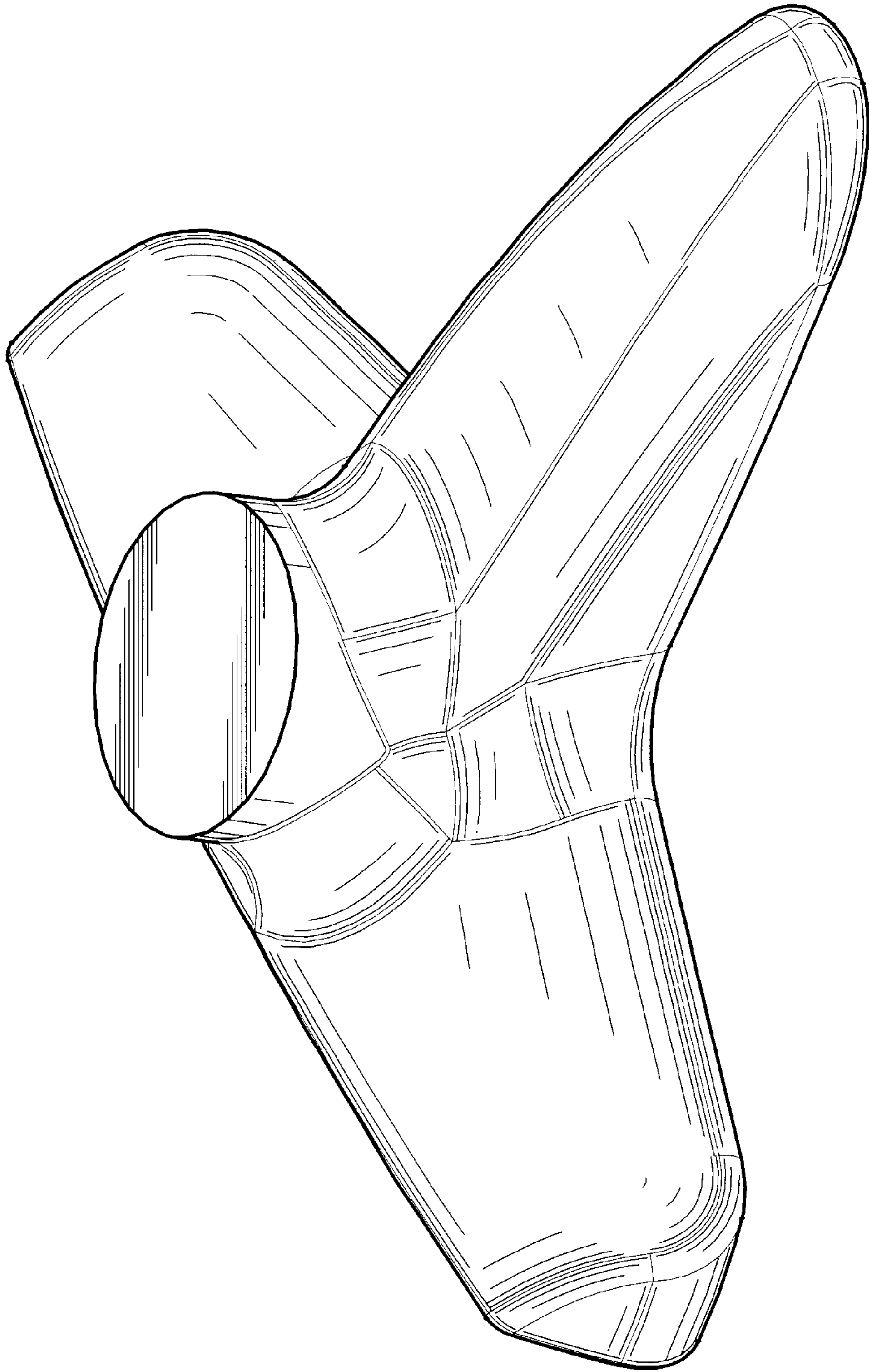


Figure - 1

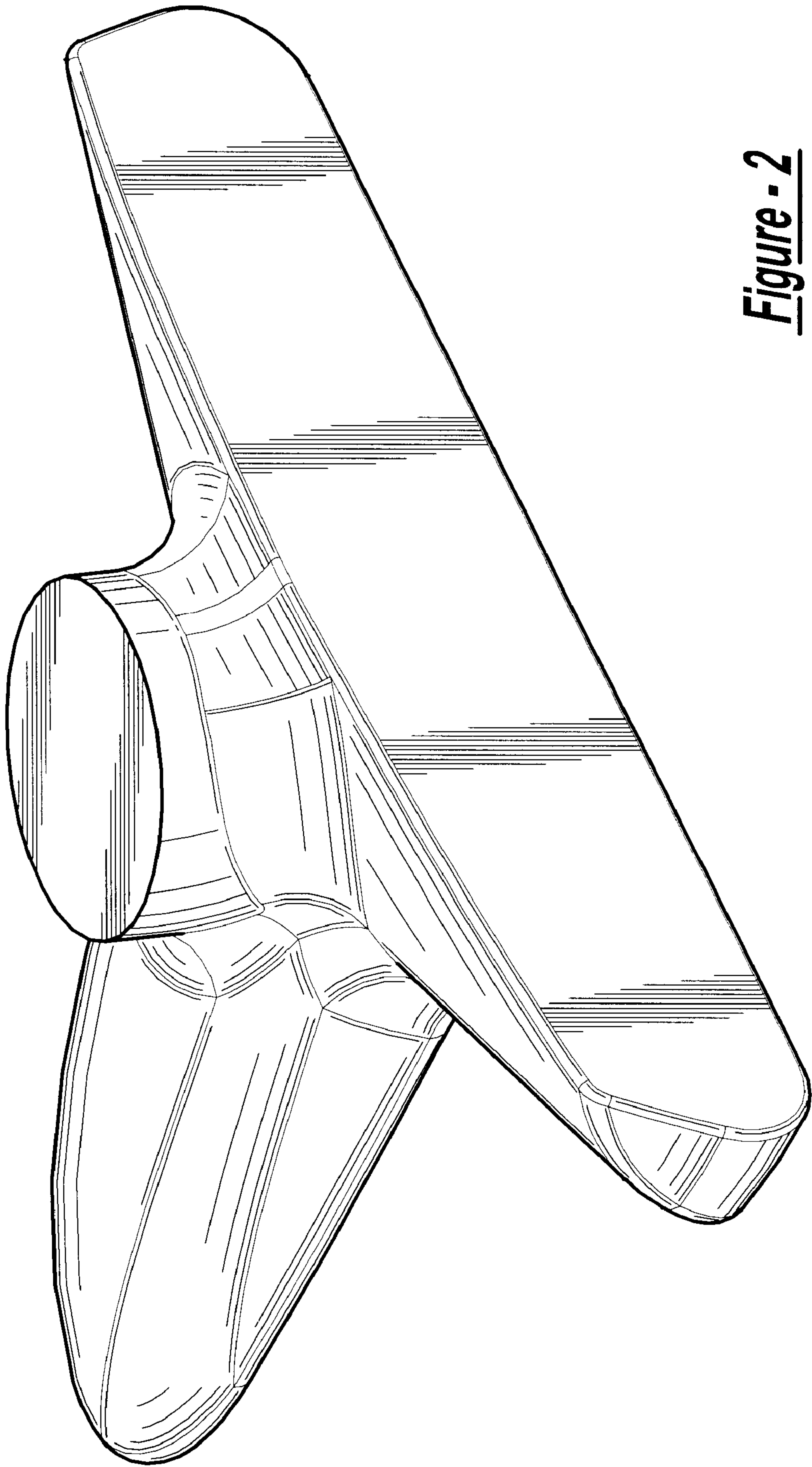


Figure - 2

Figure - 3

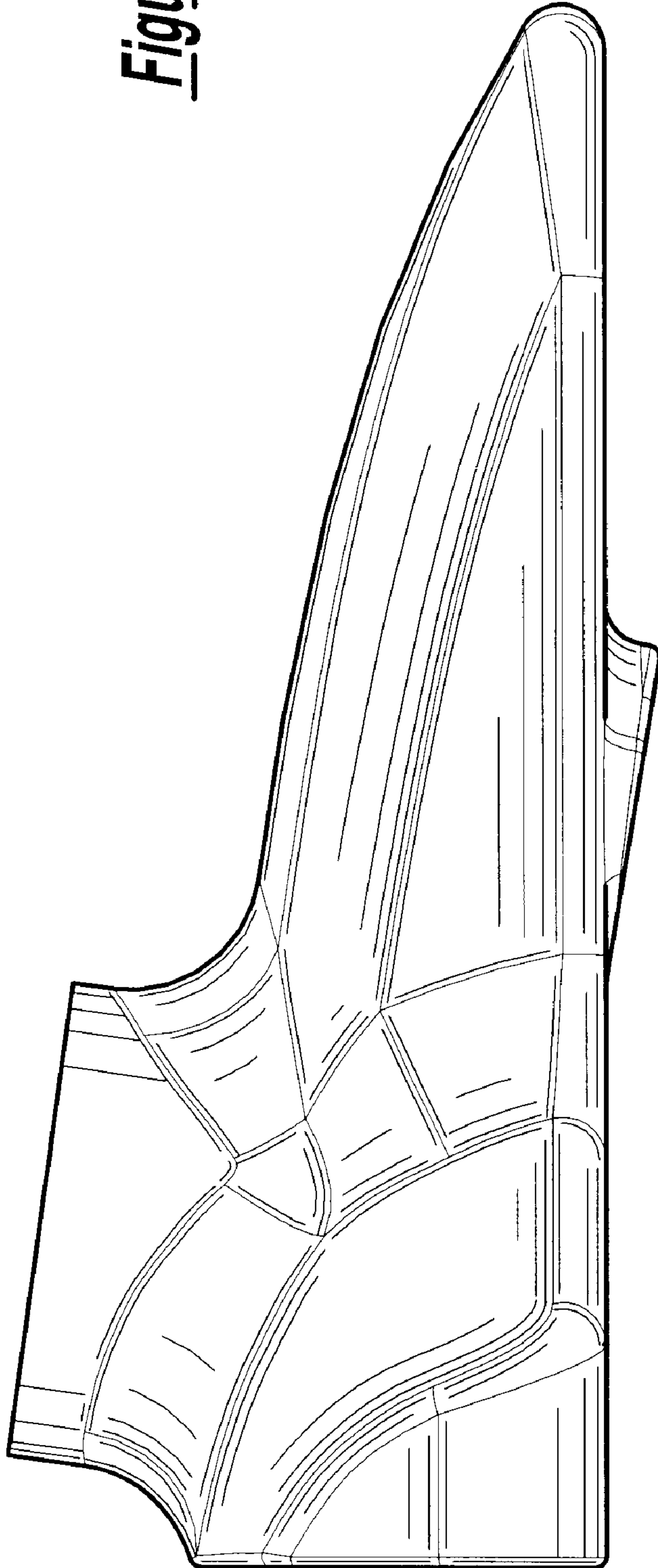
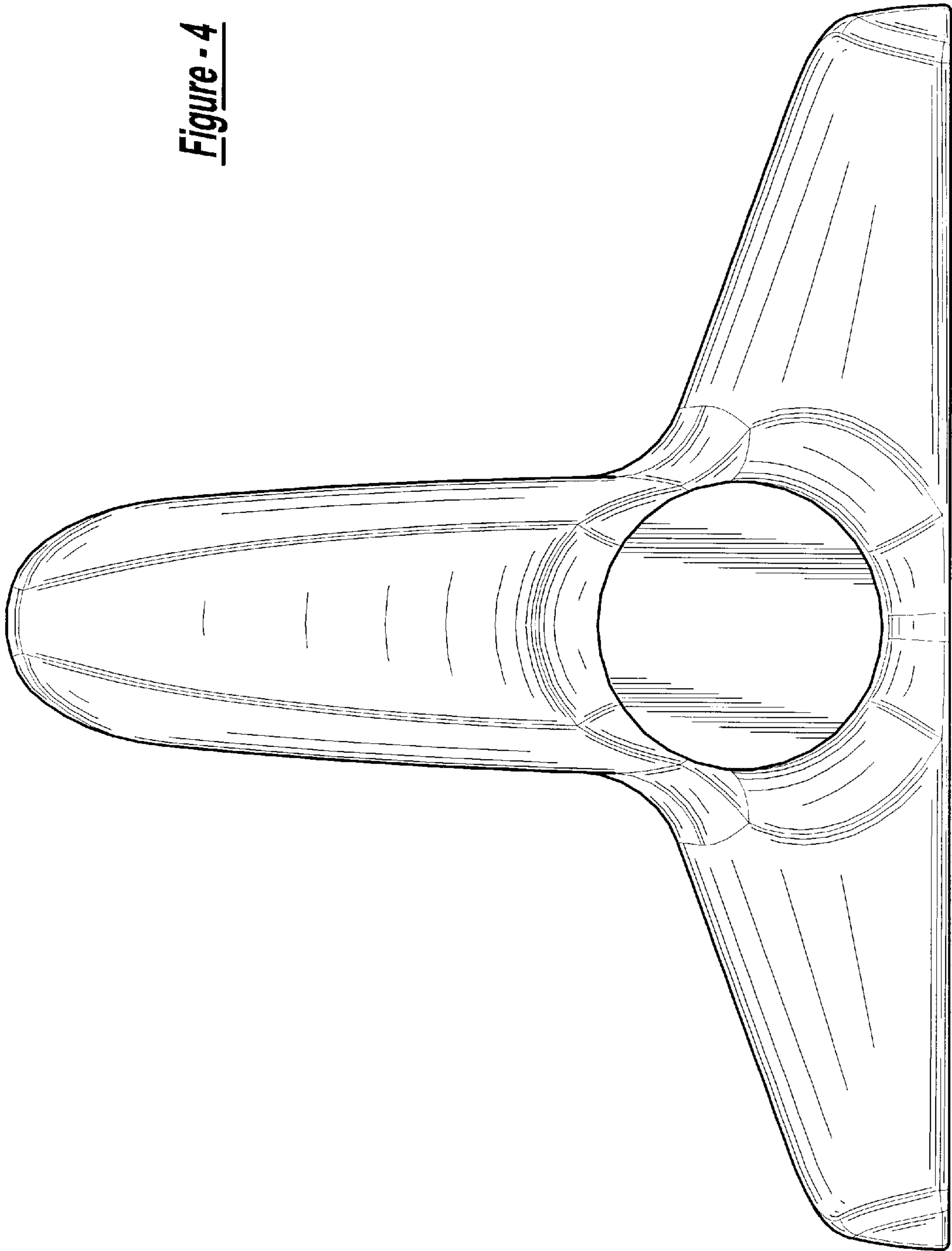


Figure - 4



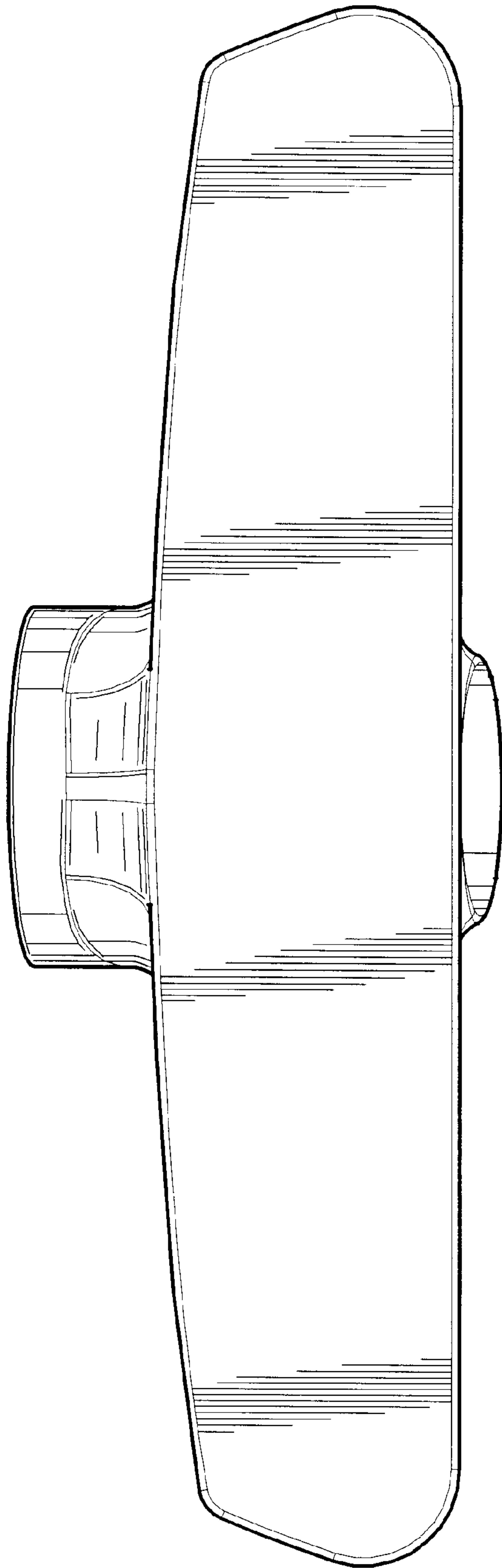


Figure - 5

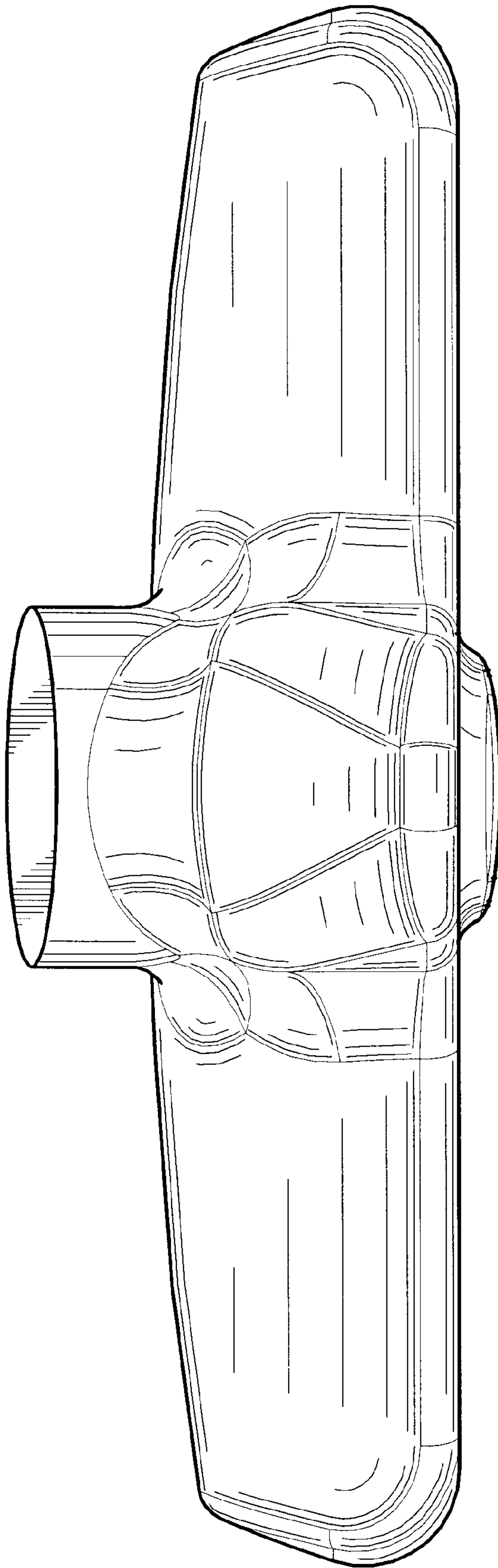


Figure - 6

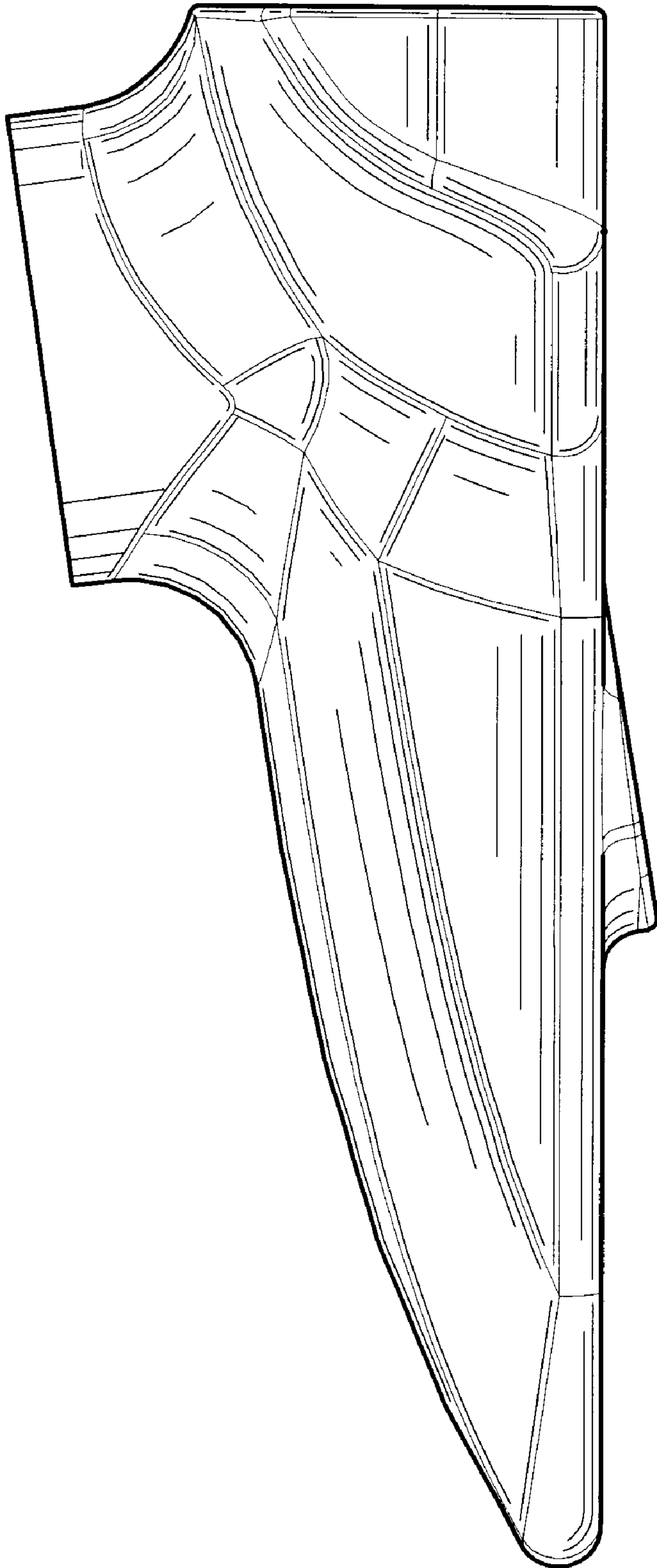


Figure - 7

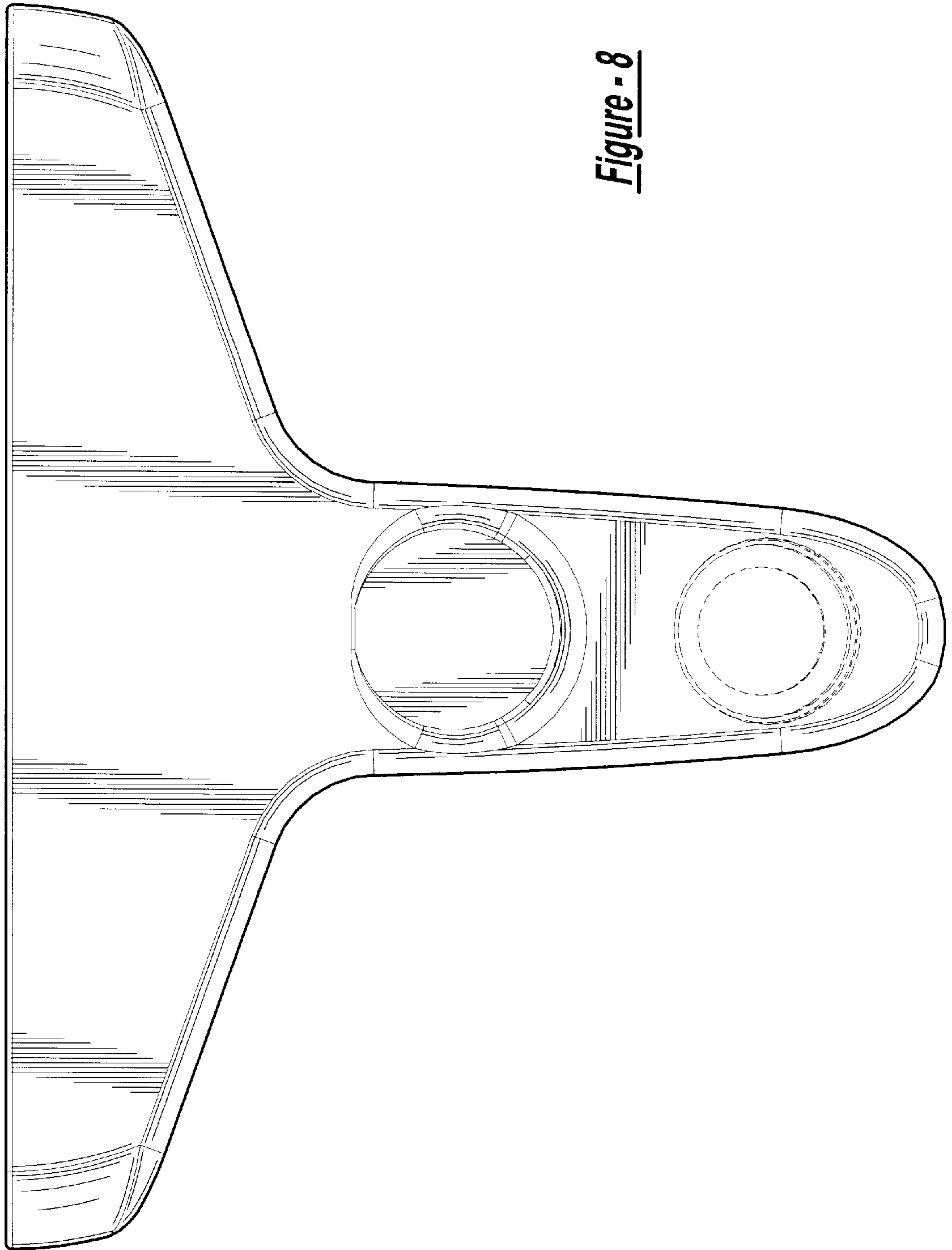


Figure - 8