



US00D486561S

(12) **United States Design Patent**  
**Spangler**

(10) **Patent No.:** **US D486,561 S**

(45) **Date of Patent:** **\*\* Feb. 10, 2004**

(54) **FAUCET**

(75) **Inventor:** **Anthony G. Spangler**, Greensburg, IN (US)

(73) **Assignee:** **Masco Corporation of Indiana**, Indianapolis, IN (US)

(\*\*) **Term:** **14 Years**

(21) **Appl. No.:** **29/178,067**

(22) **Filed:** **Mar. 20, 2003**

(51) **LOC (7) Cl.** ..... **23-01**

(52) **U.S. Cl.** ..... **D23/255**

(58) **Field of Search** ..... D23/238-243,  
D23/250-257; 4/675-678; 137/801

(56) **References Cited**

**U.S. PATENT DOCUMENTS**

|            |   |        |                |       |         |
|------------|---|--------|----------------|-------|---------|
| D351,017 S | * | 9/1994 | Gottwald       | ..... | D23/238 |
| D354,336 S | * | 1/1995 | Delabie et al. | ..... | D23/238 |
| D355,706 S | * | 2/1995 | Chretien       | ..... | D23/238 |
| D460,153 S | * | 7/2002 | Spangler       | ..... | D23/238 |

\* cited by examiner

*Primary Examiner*—Louis S. Zarfaz  
*Assistant Examiner*—Gregory Andoll  
(74) *Attorney, Agent, or Firm*—Kwadjo Adusei-Poku;  
Lloyd D. Doigan

(57) **CLAIM**

The ornamental design for a faucet, as shown and described.

**DESCRIPTION**

FIG. 1 is a front perspective view of a faucet showing my new design;

FIG. 2 is a rear perspective view thereof;

FIG. 3 is a right side elevational view thereof;

FIG. 4 is a front elevational view thereof;

FIG. 5 is a rear elevational view thereof;

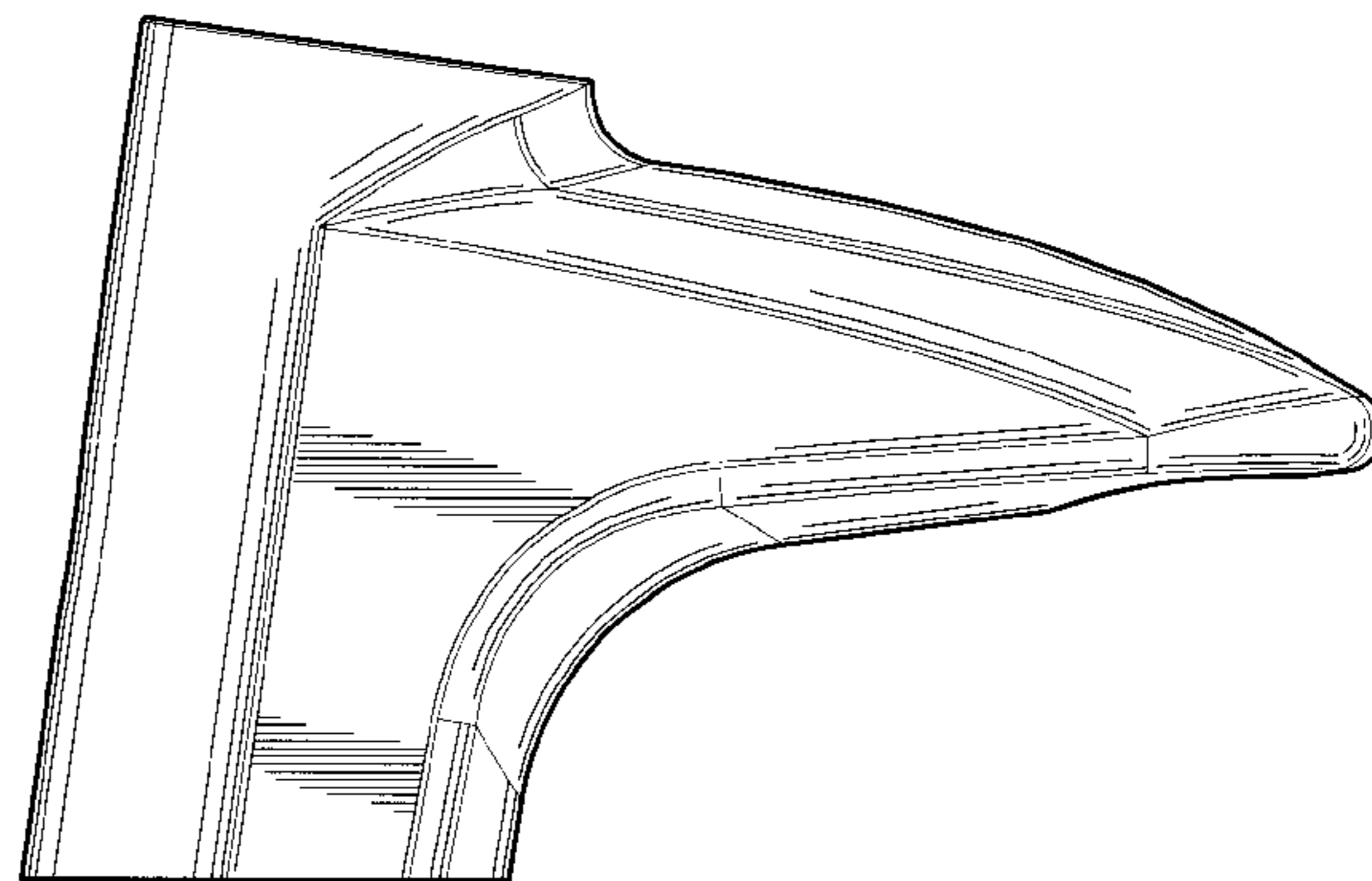
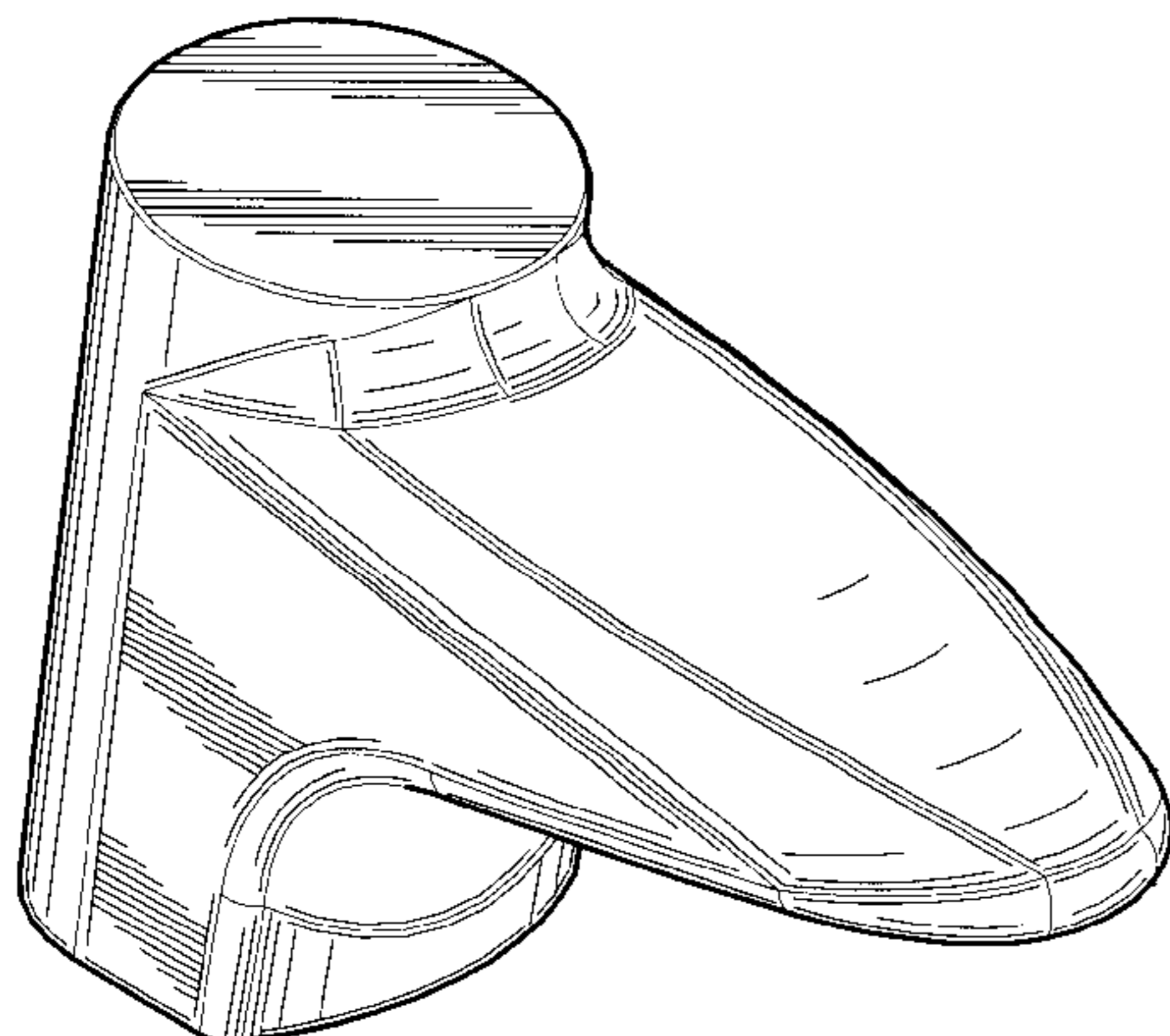
FIG. 6 is a top plan view thereof;

FIG. 7 is a left side elevational view thereof; and,

FIG. 8 is a bottom plan view thereof.

The broken lines in the Figures are for illustrative purposes only and form no part of the claimed design.

**1 Claim, 4 Drawing Sheets**



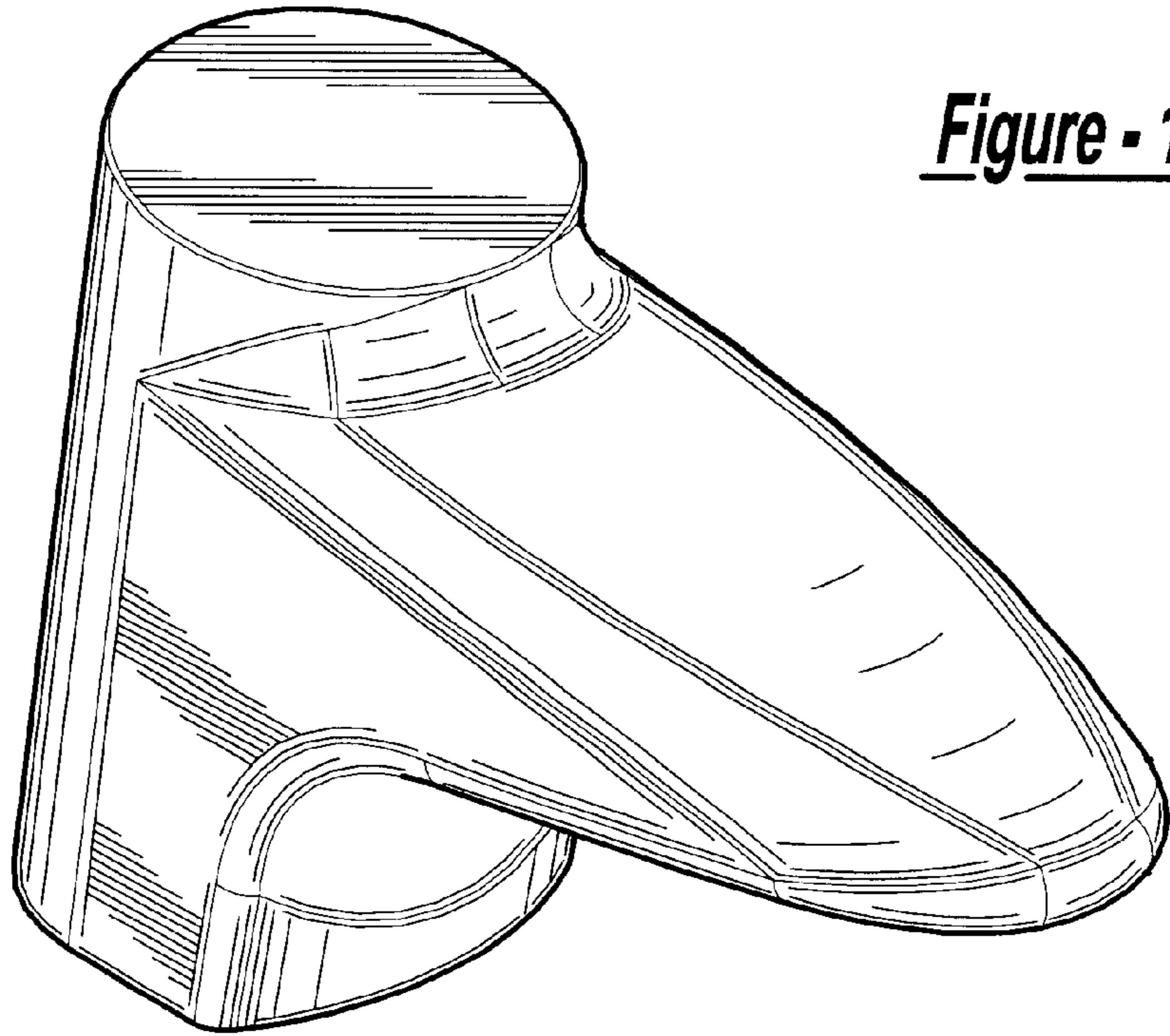


Figure - 1

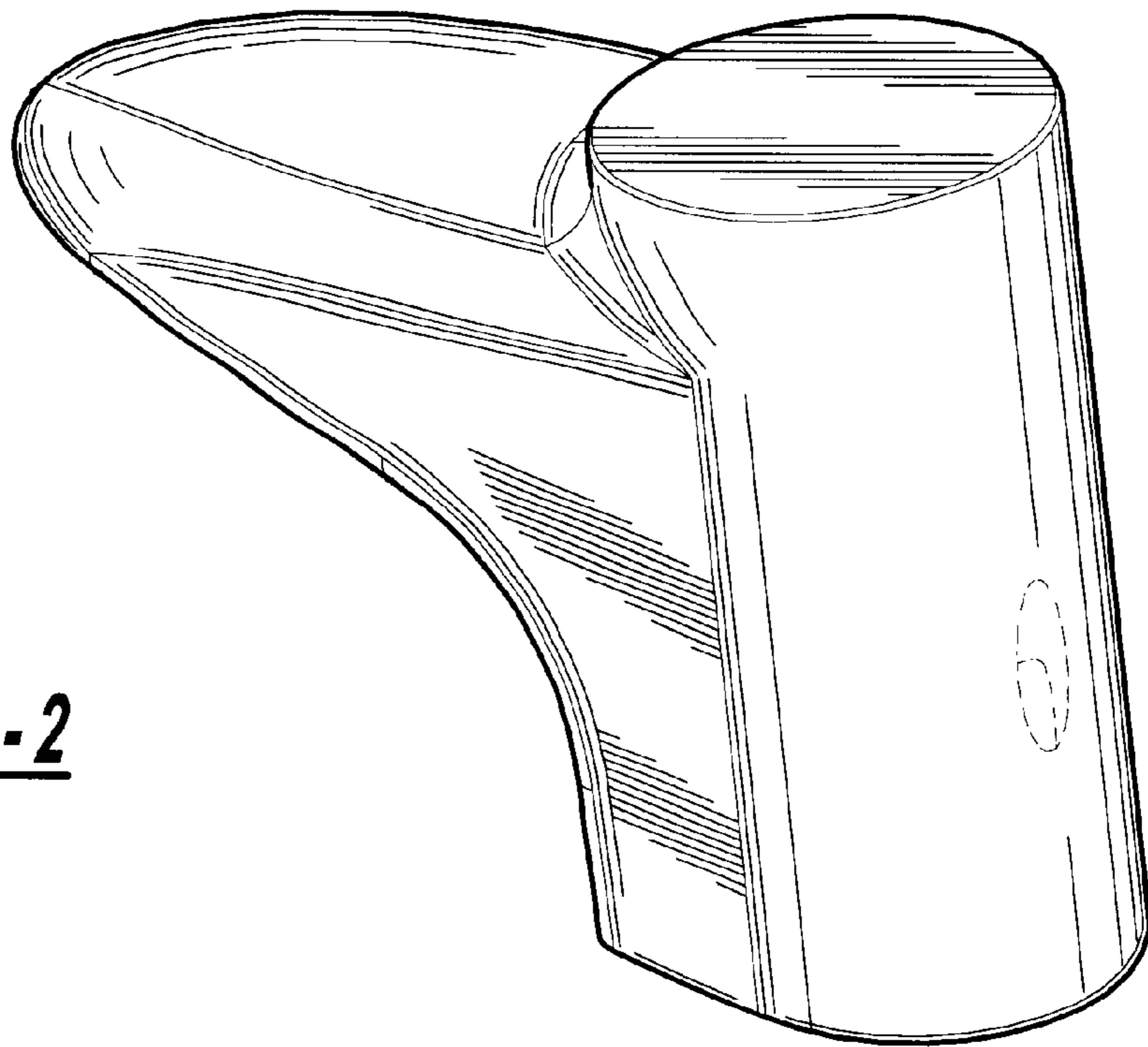
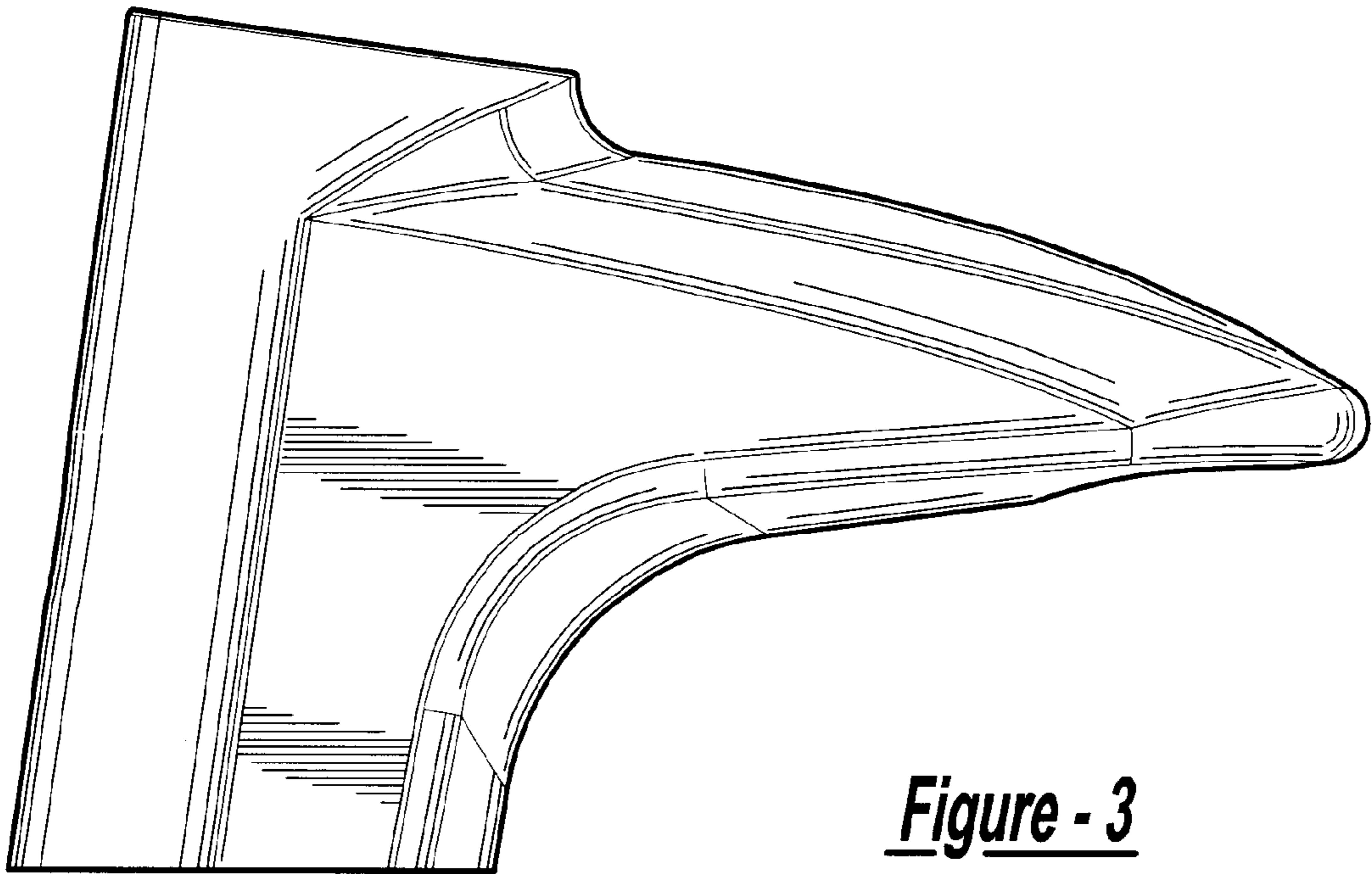
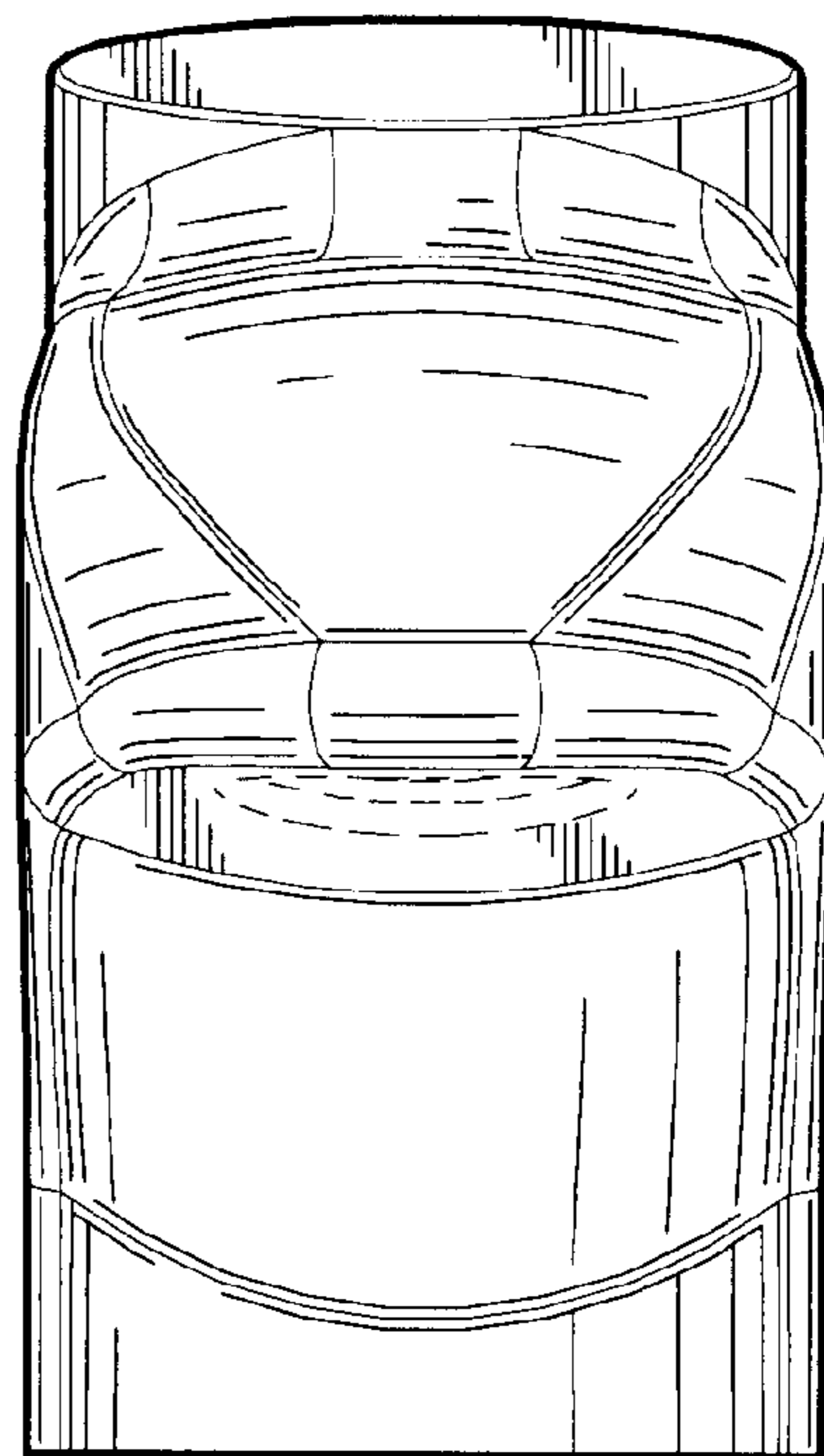


Figure - 2



**Figure - 4**



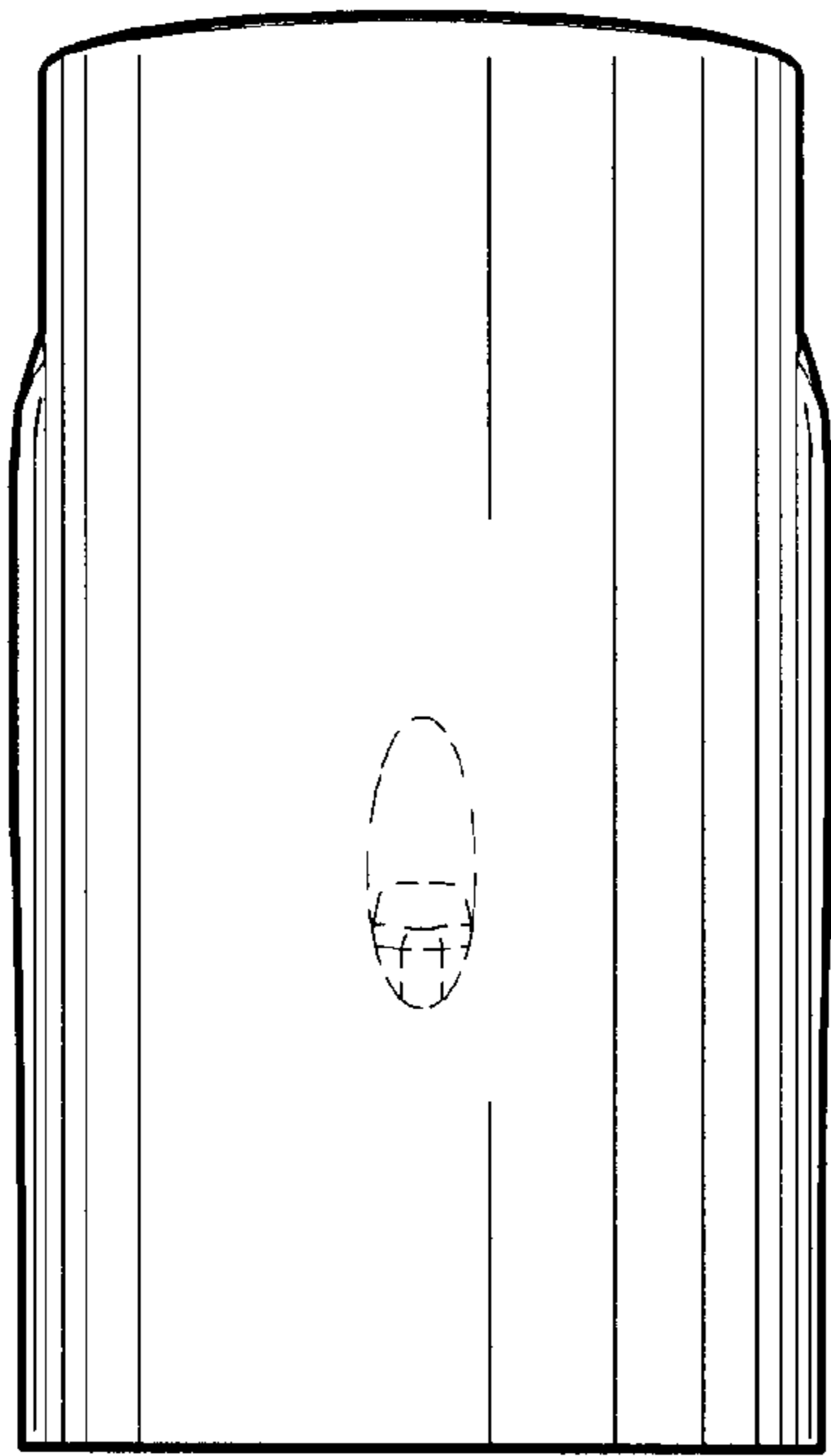


Figure - 5

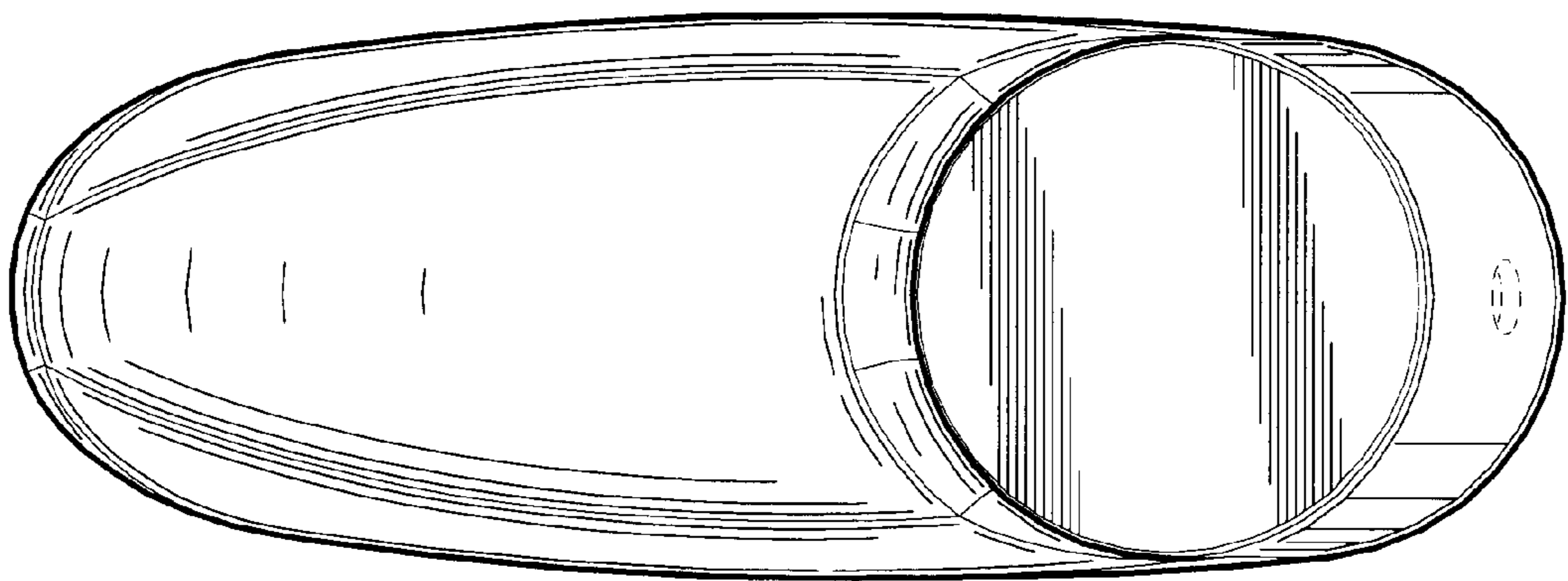


Figure - 6

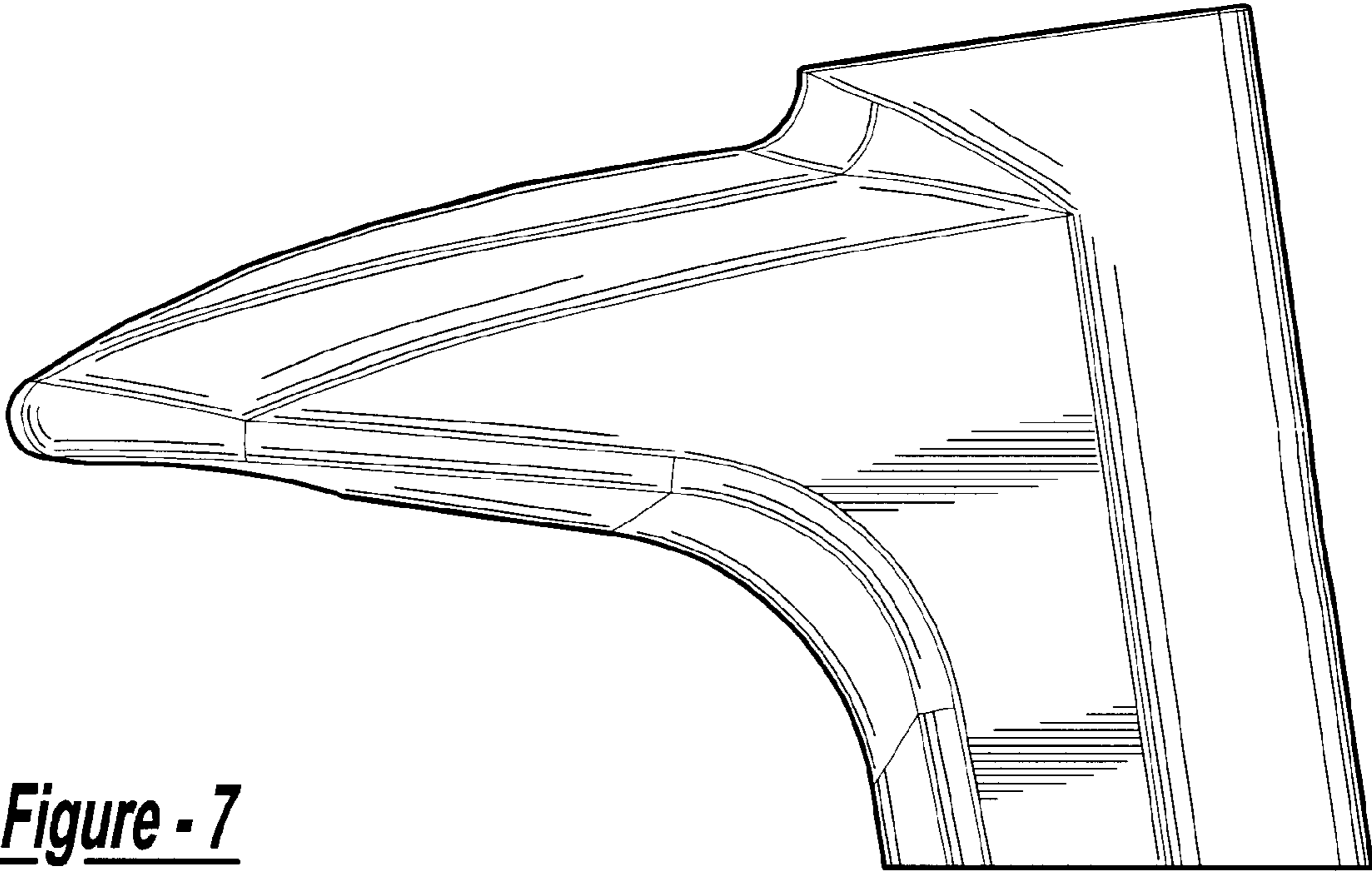


Figure - 7

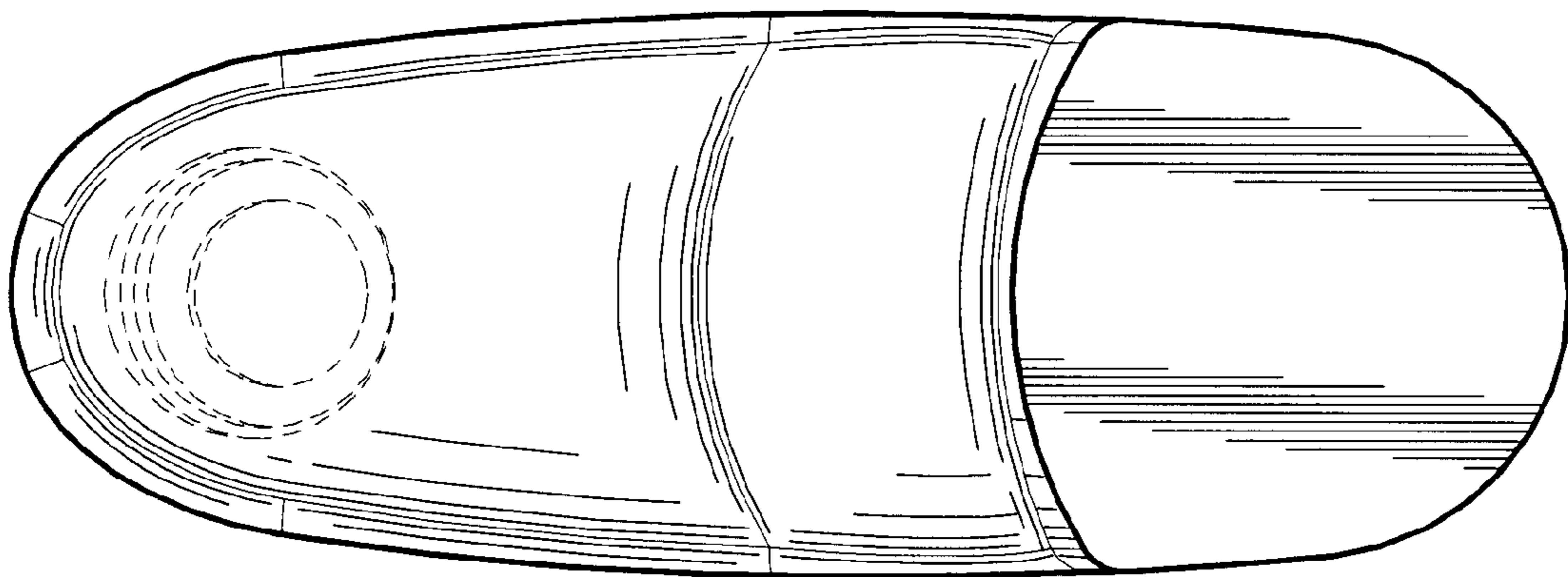


Figure - 8