



US00D486559S

(12) **United States Design Patent**
Otero

(10) **Patent No.:** **US D486,559 S**

(45) **Date of Patent:** **** *Feb. 10, 2004**

(54) **SHOWER ESCUTCHEON**

D420,106 S * 2/2000 Green D23/254
D442,675 S * 5/2001 Burns et al.

(75) Inventor: **Federico G. Otero**, Carmel, IN (US)

* cited by examiner

(73) Assignee: **Masco Corporation**, Taylor, MI (US)

Primary Examiner—Louis S. Zarfaz

(*) Notice: This patent is subject to a terminal disclaimer.

Assistant Examiner—Gregory Andoll

(74) *Attorney, Agent, or Firm*—Carlson, Gaskey & Olds

(**) Term: **14 Years**

(57) **CLAIM**

(21) Appl. No.: **29/151,960**

The ornamental design for a shower escutcheon, as shown and described.

(22) Filed: **Dec. 12, 2001**

DESCRIPTION

(51) **LOC (7) Cl.** **23-01**

(52) **U.S. Cl.** **D23/254**

(58) **Field of Search** D23/249, 250,
D23/254, 252; D8/352, 351, 350; 4/675-678;
137/801; 16/2.1-2.4; 220/421; 250/466.1

FIG. 1 is a front perspective view of the shower escutcheon showing my new design;

FIG. 2 is a rear perspective view thereof;

FIG. 3 is a front elevational view thereof;

FIG. 4 is a right side elevational view thereof;

FIG. 5 is a bottom plan view thereof;

FIG. 6 is a top plan view thereof; and,

FIG. 7 is a left side elevational view thereof.

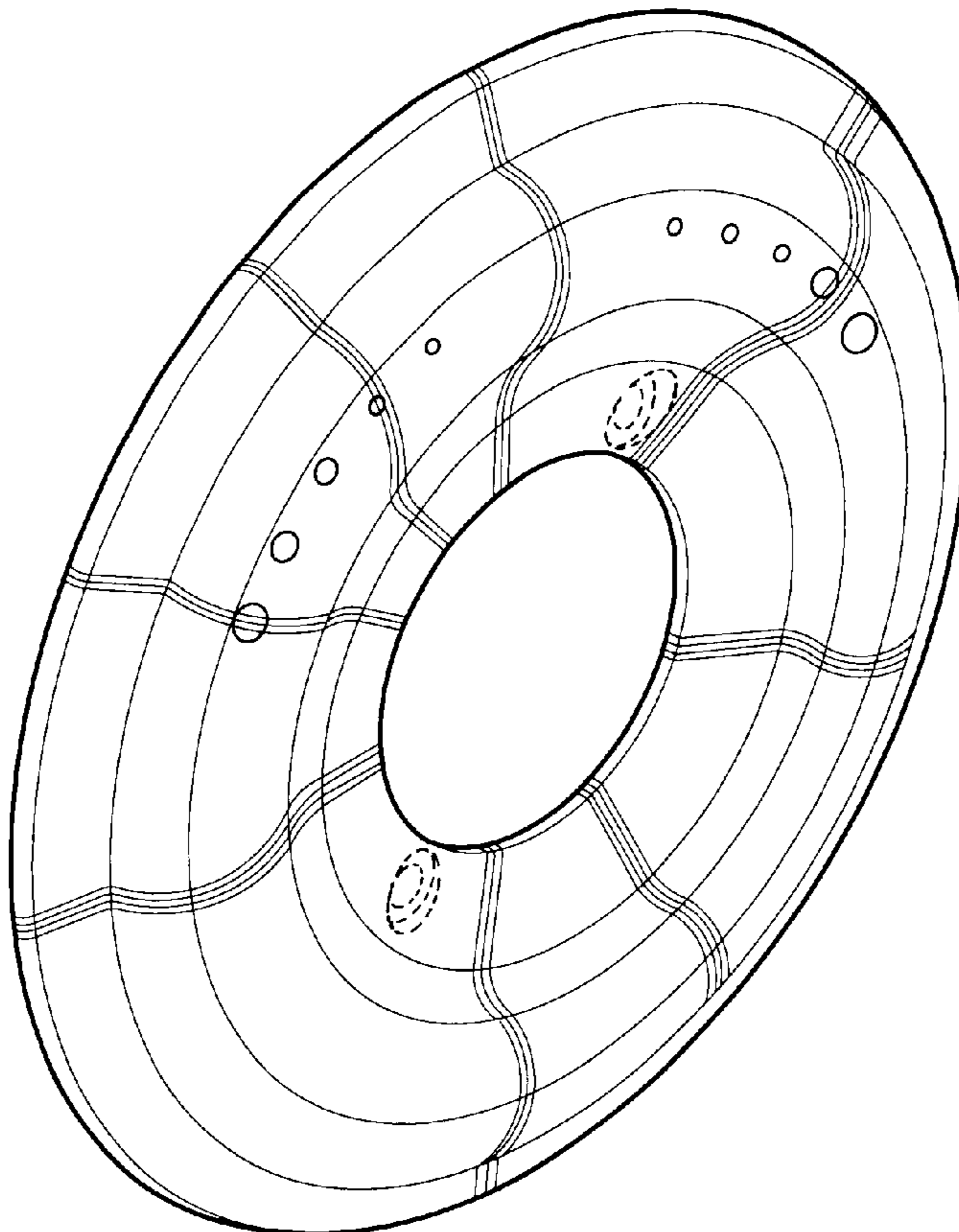
The broken line showing of the openings in FIGS. 1-3 are for purposes of illustration only and form no part of the claimed design.

(56) **References Cited**

U.S. PATENT DOCUMENTS

D164,606 S	*	9/1951	Schlage	D23/352
D305,863 S	*	2/1990	Gresens et al.	D23/352
D332,826 S	*	1/1993	Rosenbaum	D23/254
D402,010 S	*	12/1998	Lord	D23/254
D403,750 S	*	1/1999	Fabian	D23/254

1 Claim, 3 Drawing Sheets



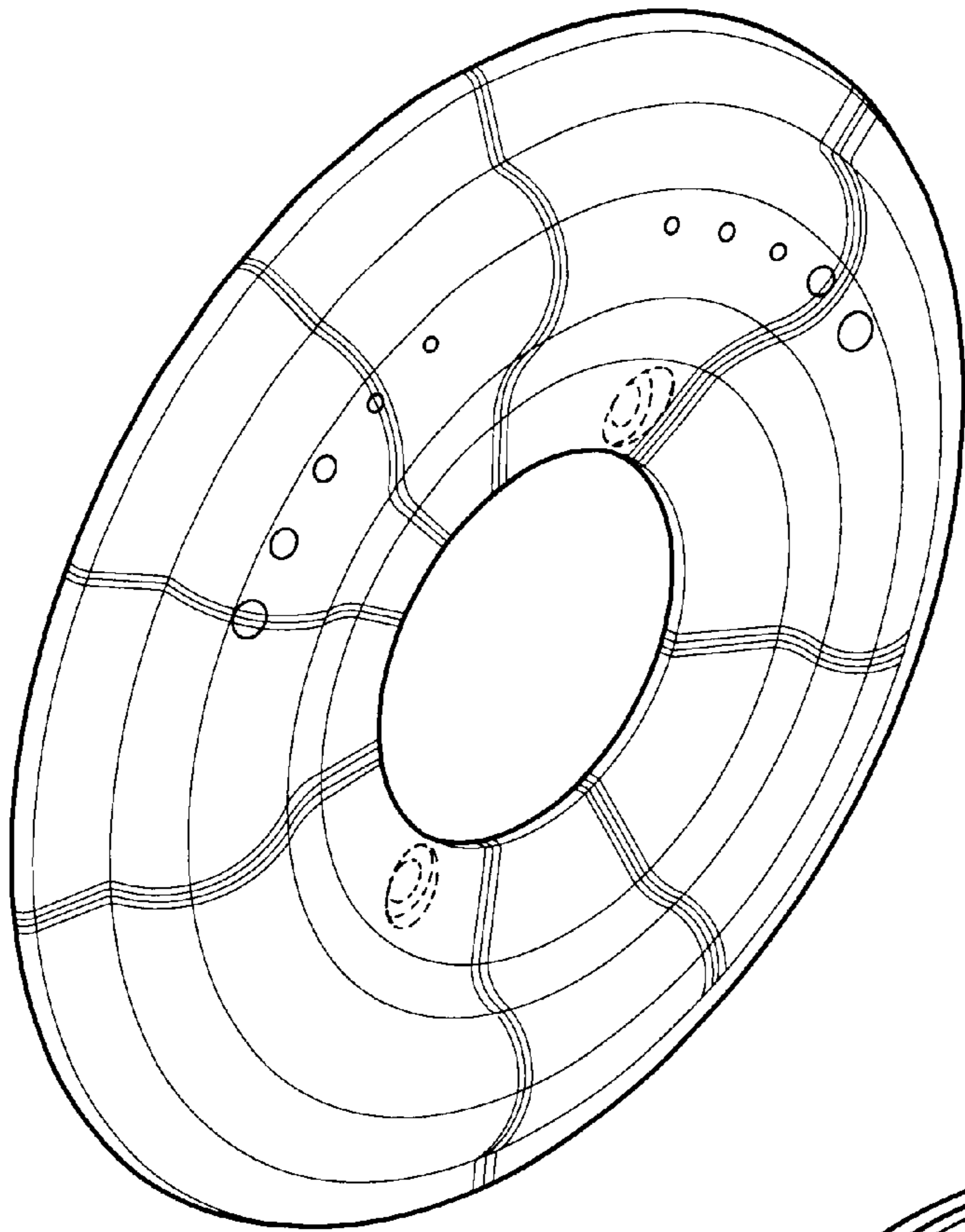


Fig-1

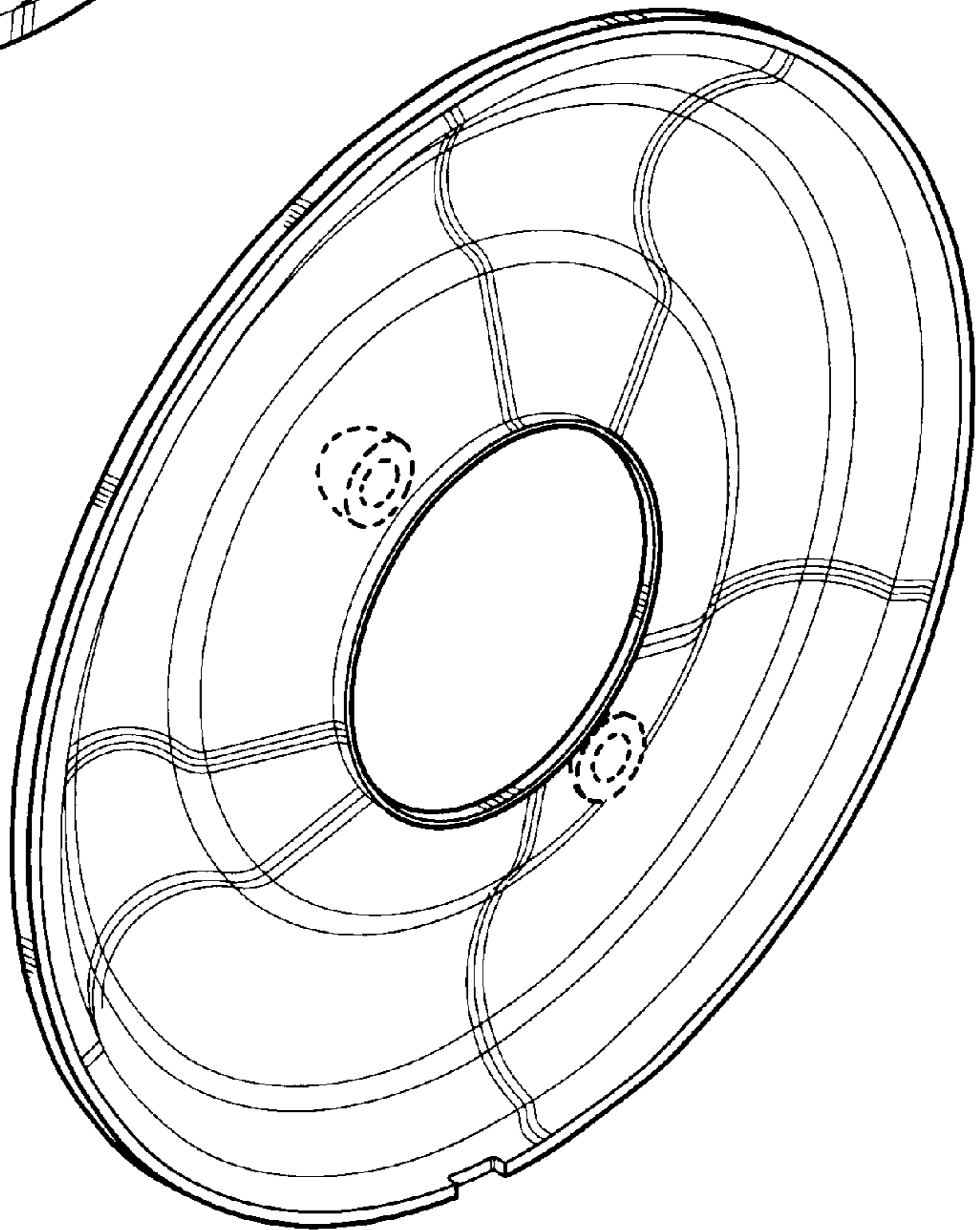


Fig-2

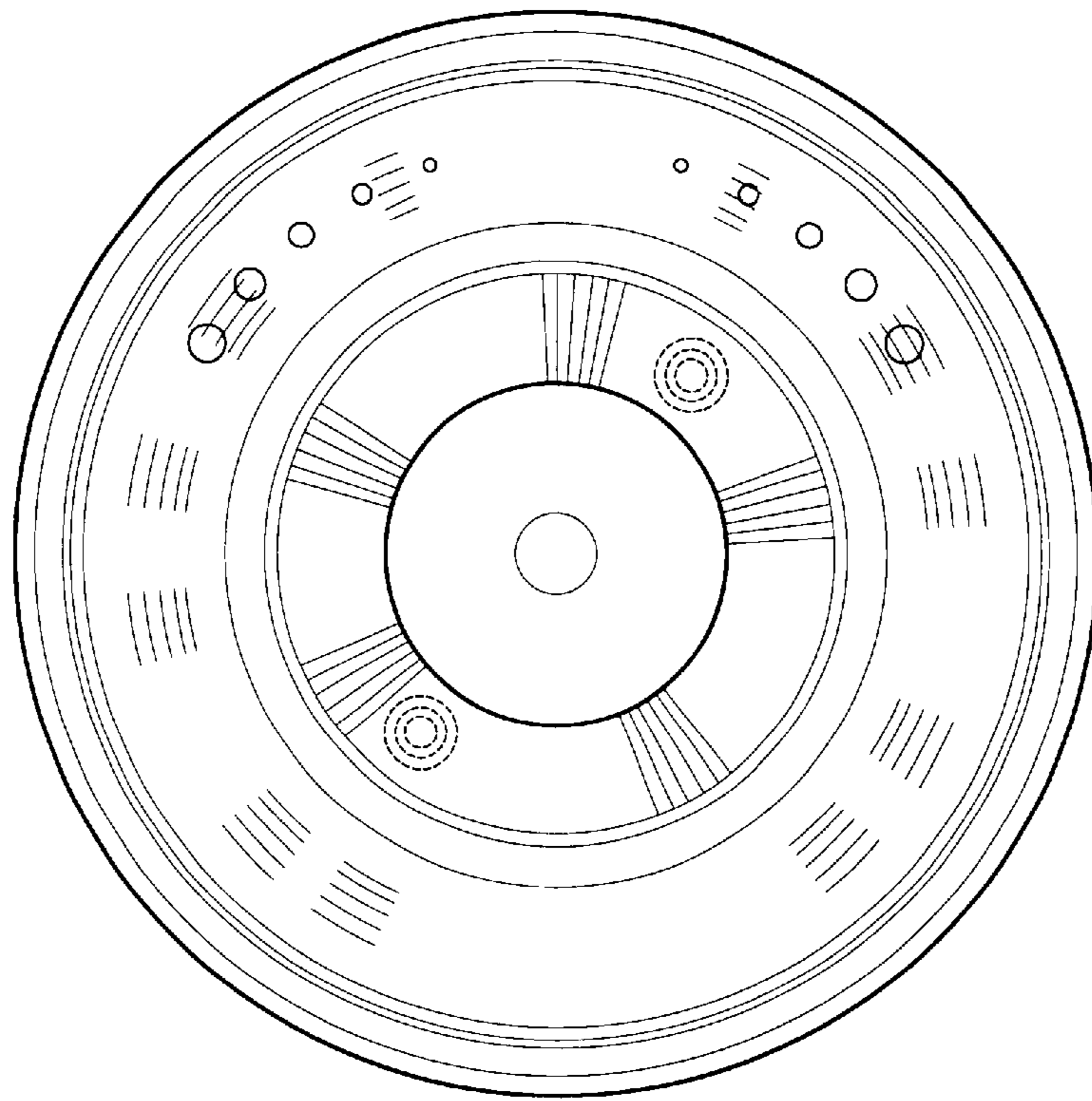


Fig-3



Fig-4



Fig-5

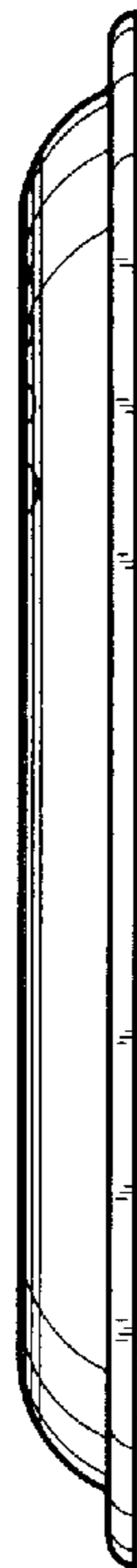


Fig-6

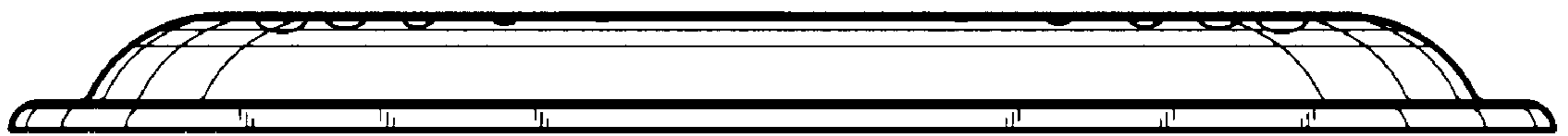


Fig-7