



US00D486557S

(12) **United States Design Patent**
Graves et al.

(10) **Patent No.:** **US D486,557 S**

(45) **Date of Patent:** **** Feb. 10, 2004**

(54) **TWO HANDLE LAVATORY FAUCET ASSEMBLY**

(75) Inventors: **Michael Graves**, Princeton, NJ (US);
Donald Strum, Princeton, NJ (US);
William Harrington, Princeton, NJ (US);
Scott Doty, Cranbury, NJ (US)

(73) Assignee: **Masco Corporation Of Indiana**,
Indianapolis, IN (US)

(**) Term: **14 Years**

(21) Appl. No.: **29/180,423**

(22) Filed: **Apr. 23, 2003**

(51) **LOC (7) Cl.** **23-01**

(52) **U.S. Cl.** **D23/241**

(58) **Field of Search** D23/238-243,
D23/250-257; 4/675-678; 137/801

(56) **References Cited**

U.S. PATENT DOCUMENTS

D185,353 S	*	6/1959	Dreyfuss	D23/242
D362,899 S	*	10/1995	Jans	D23/242
D406,876 S	*	3/1999	Ko	D23/241
D448,453 S	*	9/2001	Lord	D23/241
D459,789 S	*	7/2002	Green et al.	D23/241

* cited by examiner

Primary Examiner—Louis S. Zarfaz

Assistant Examiner—Gregory Andoll

(74) *Attorney, Agent, or Firm*—Kwadjo Adusei-Poku;
Lloyd D. Doigan

(57) **CLAIM**

The ornamental design for a two handle lavatory faucet assembly, as shown and described.

DESCRIPTION

FIG. 1 is a front perspective view of a two handle lavatory faucet assembly showing our new design;

FIG. 2 is a rear perspective view thereof;

FIG. 3 is a left side elevational view thereof;

FIG. 4 is a front elevational view thereof;

FIG. 5 is a right side elevational view thereof;

FIG. 6 is a top plan view thereof;

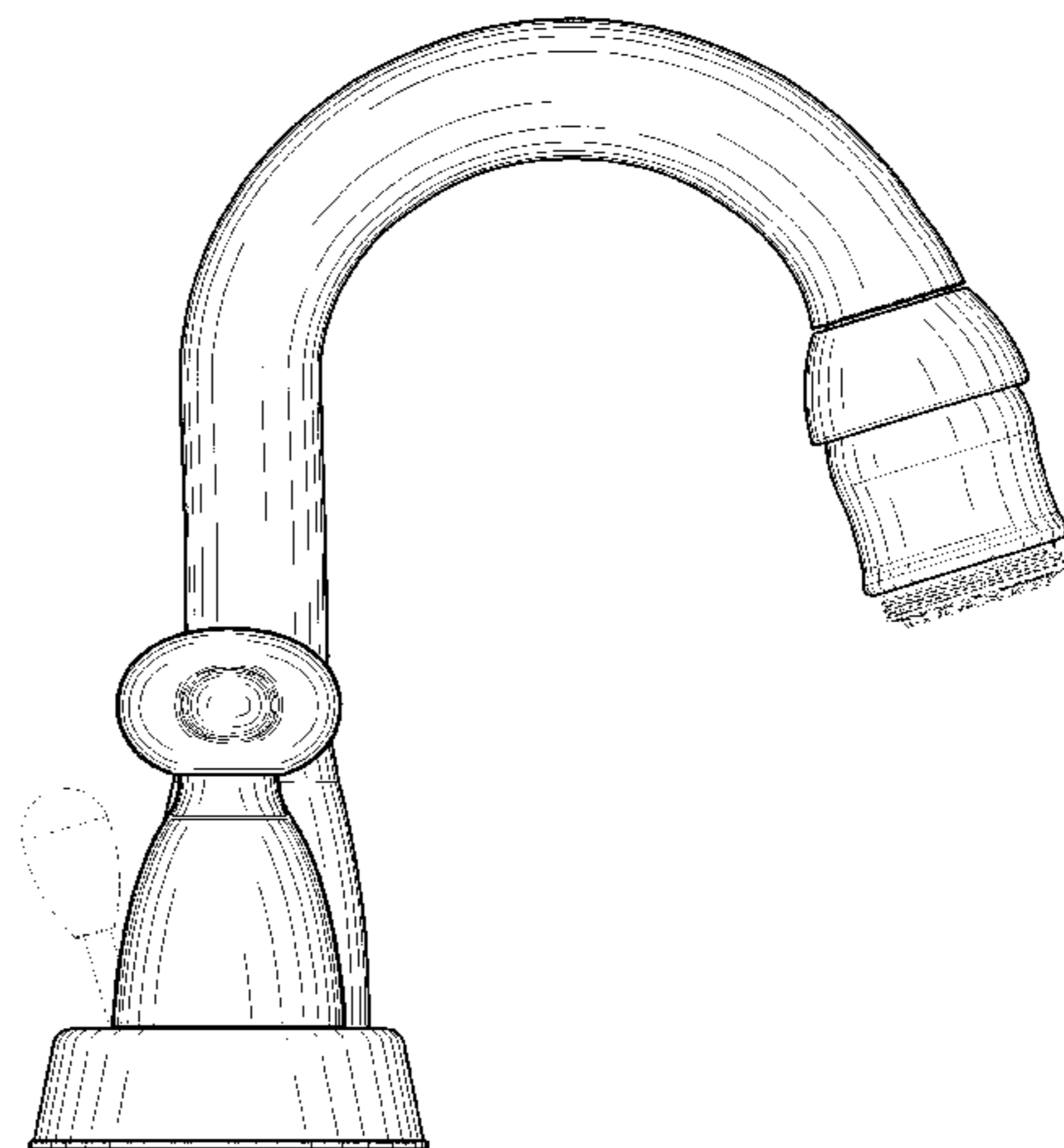
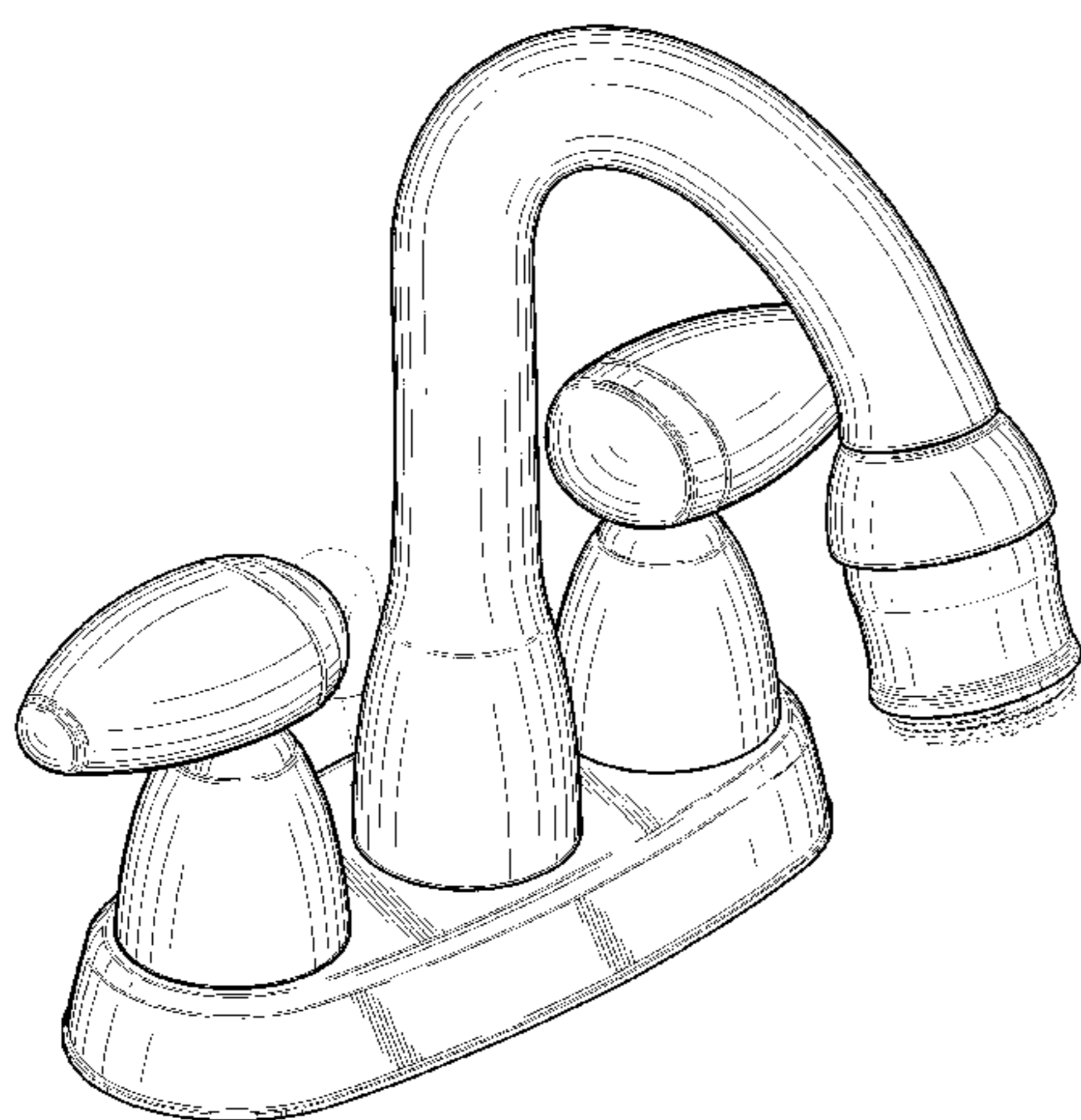
FIG. 7 is a rear elevational view thereof; and,

FIG. 8 is a bottom plan view thereof.

The transverse lines on the handles are shade lines used to better show the shape of the handles.

The broken lines in the Figures are for illustrative purposes only and form no part of the claimed design.

1 Claim, 8 Drawing Sheets



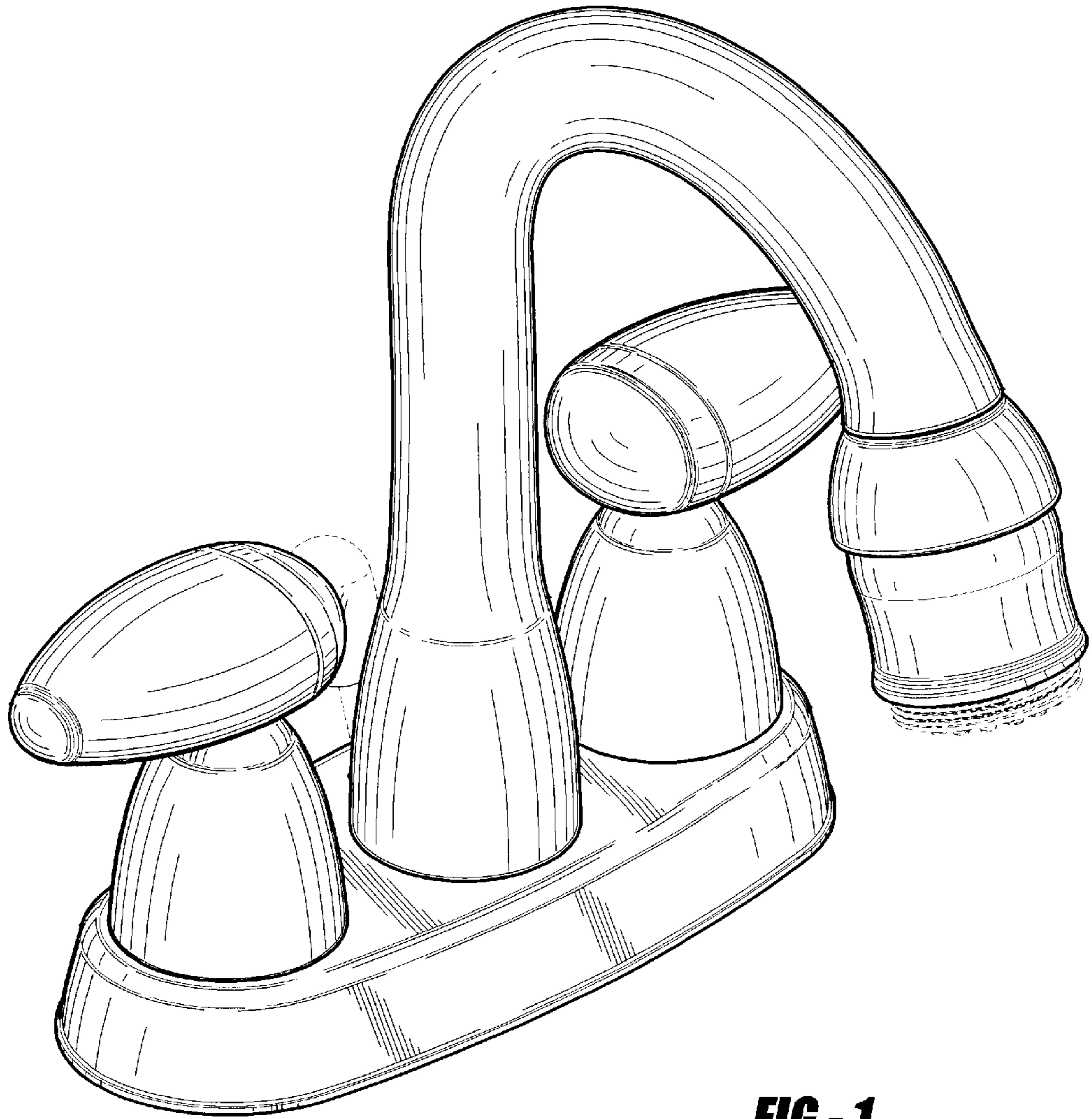


FIG - 1

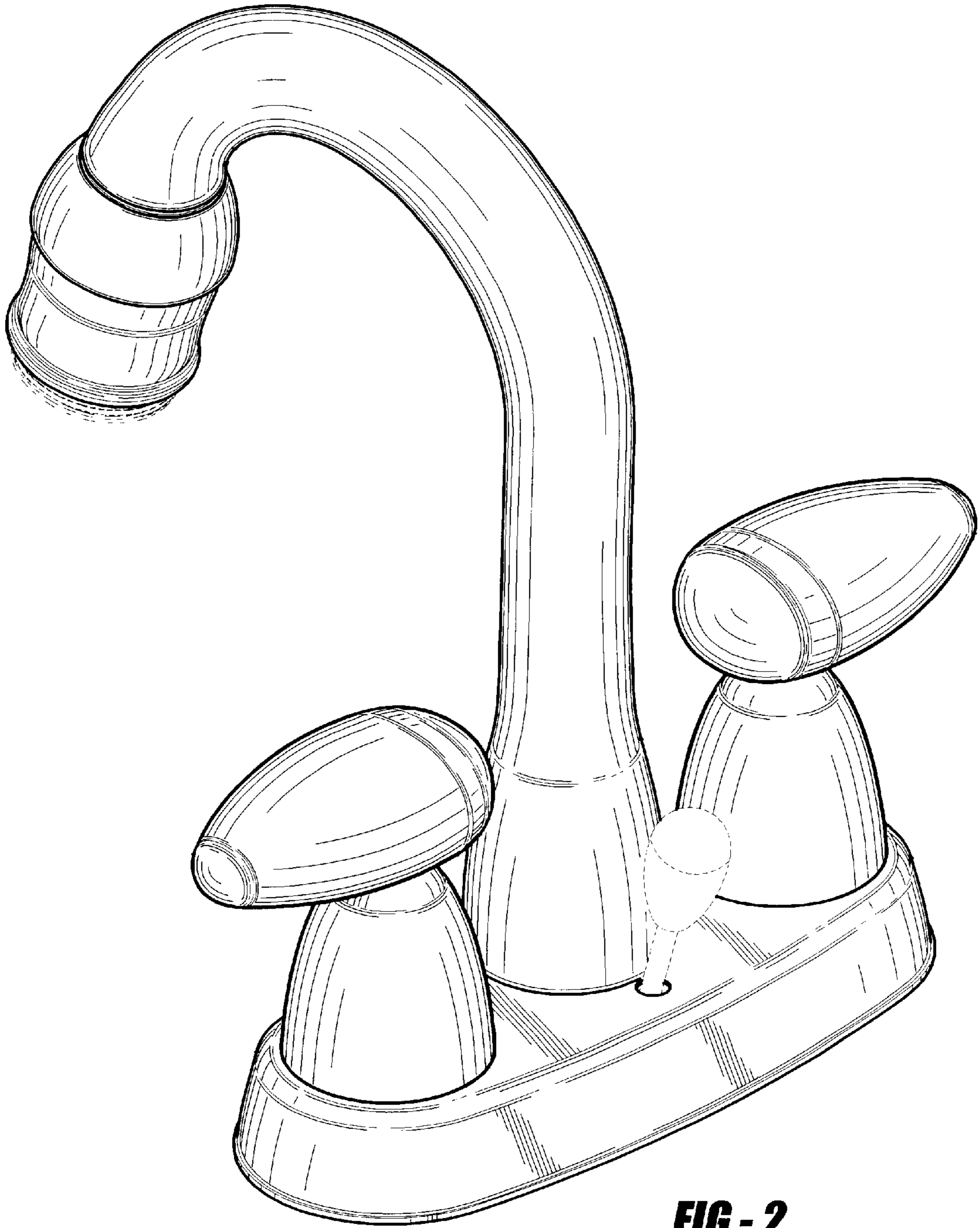


FIG - 2

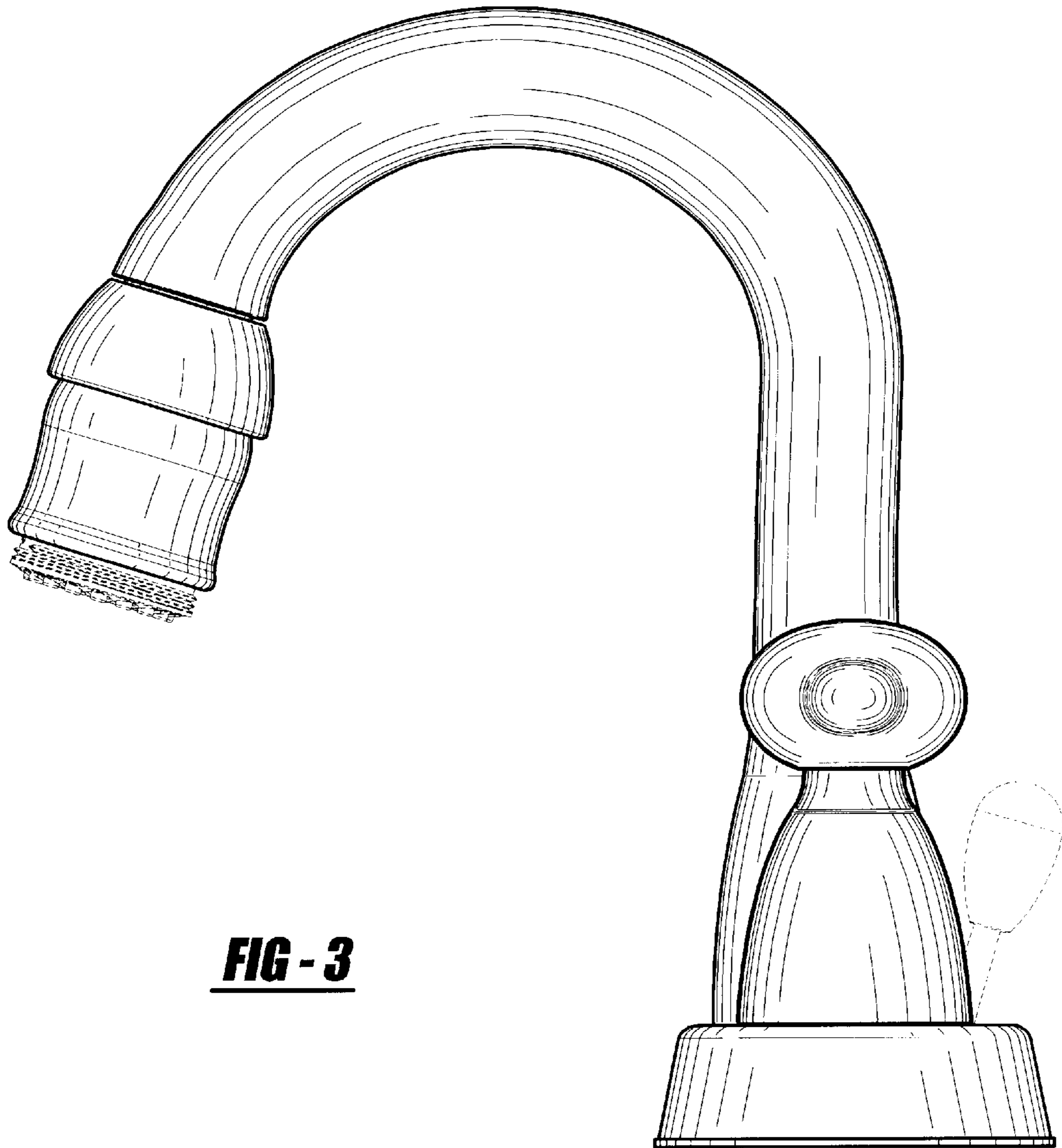


FIG - 3

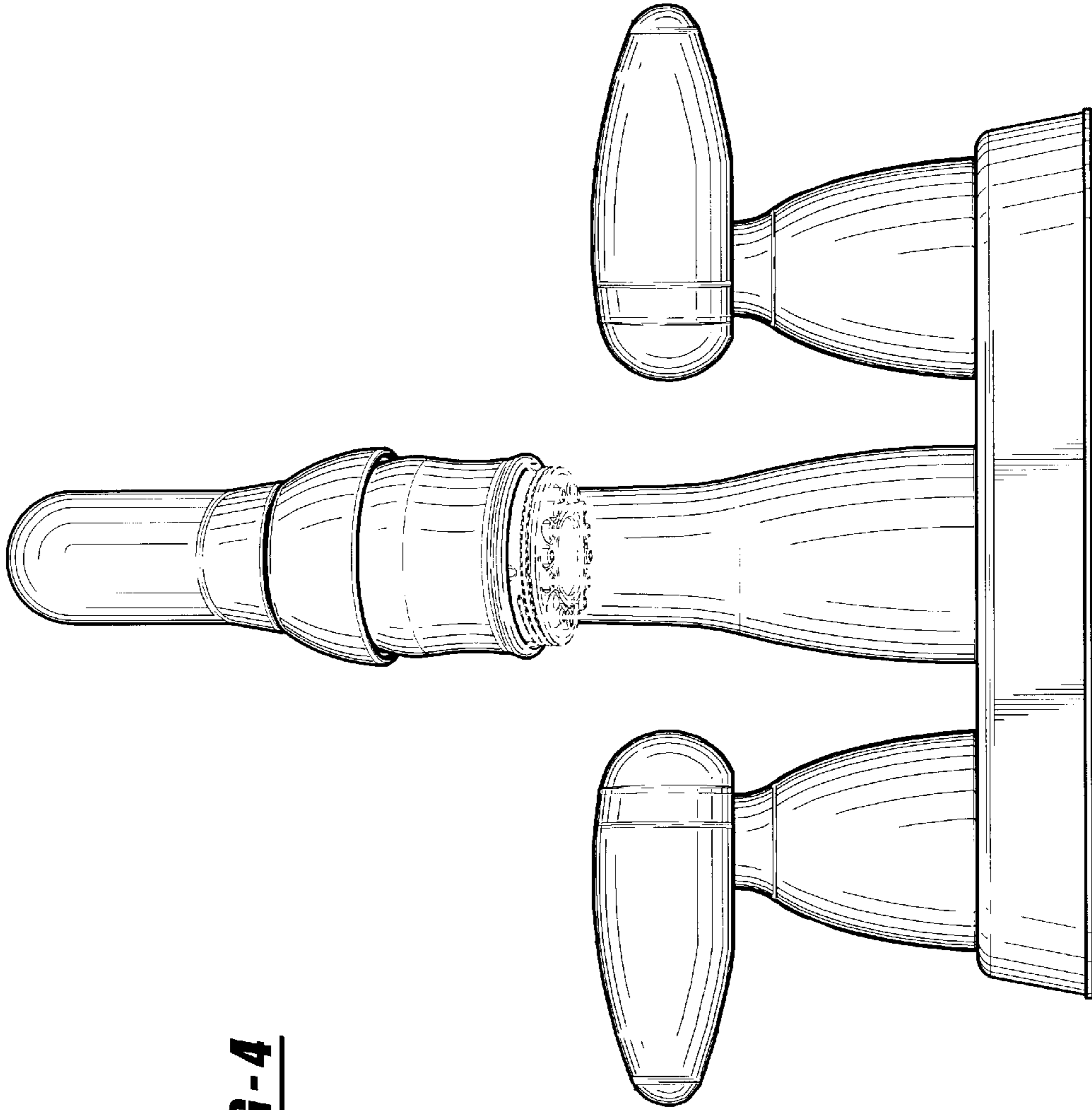


FIG - 4

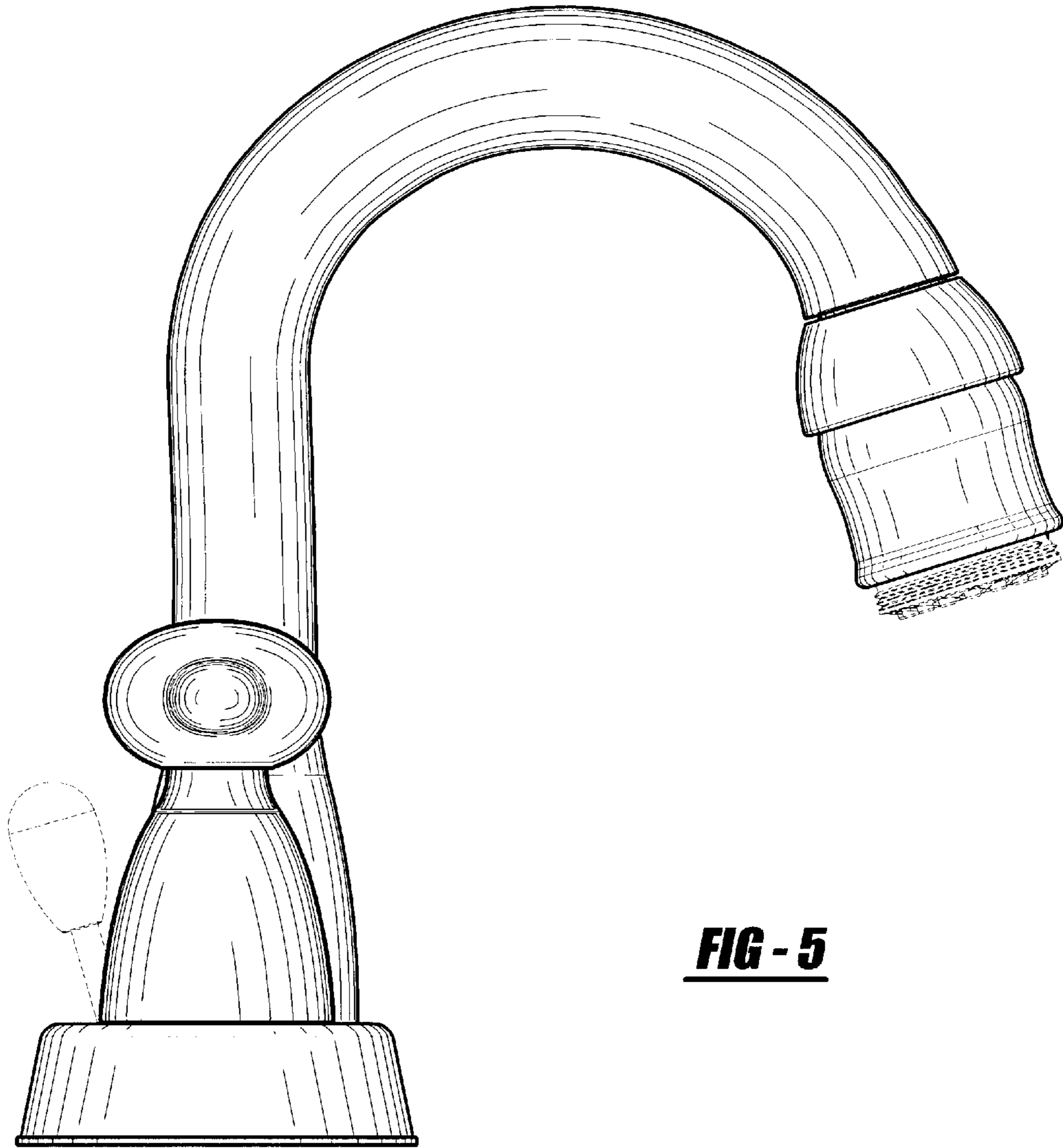


FIG - 5

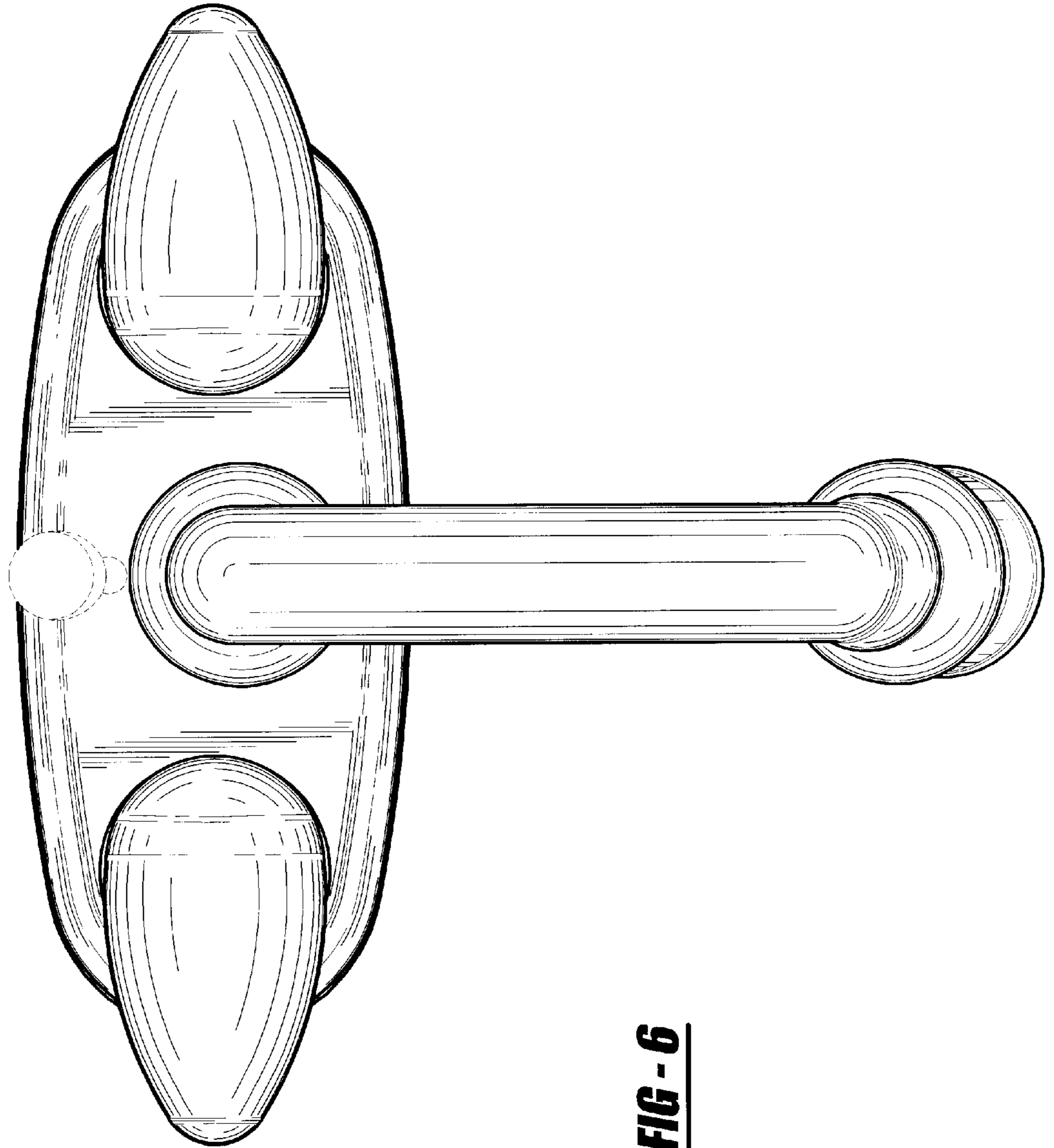
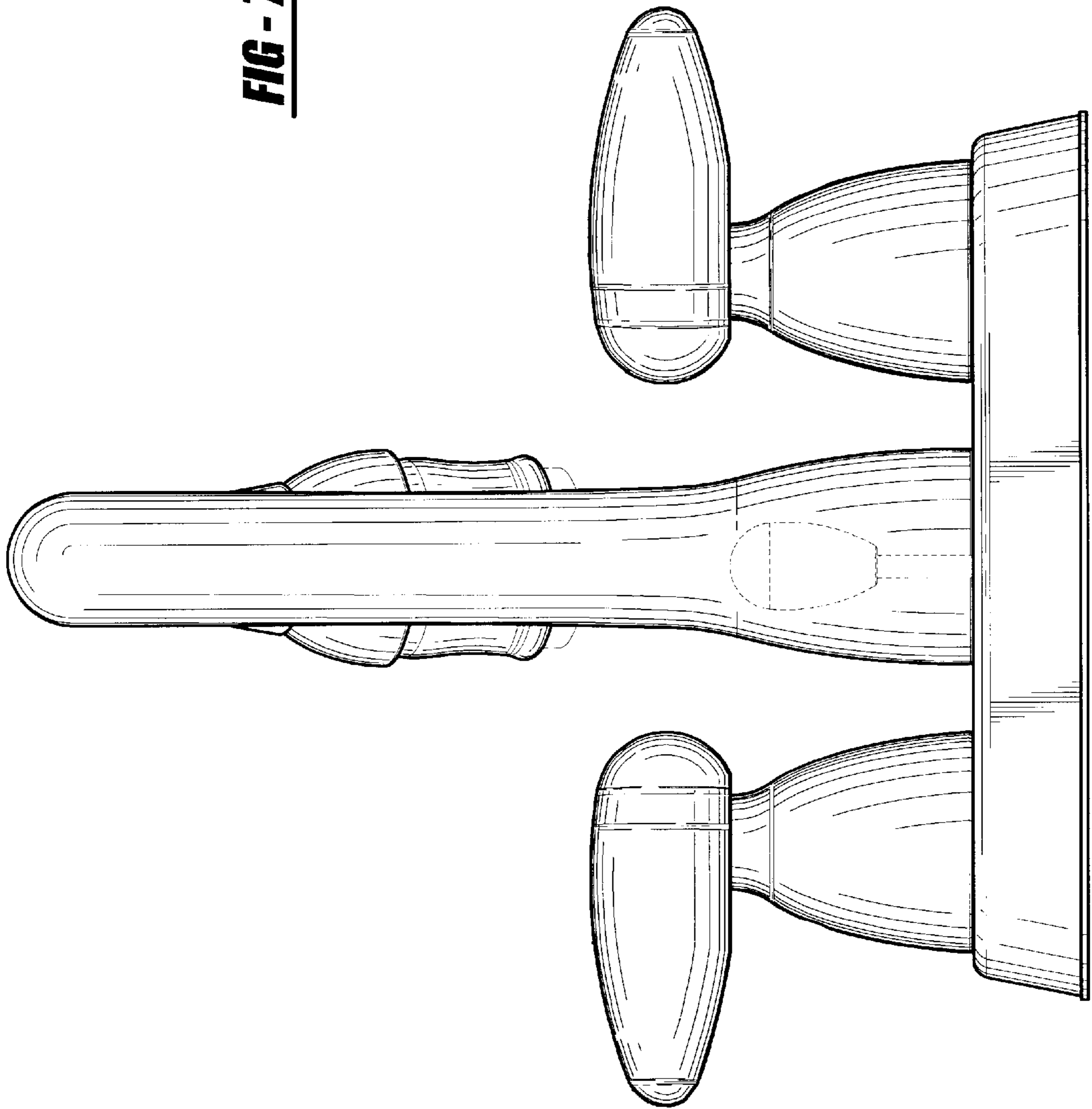


FIG - 6

FIG-7



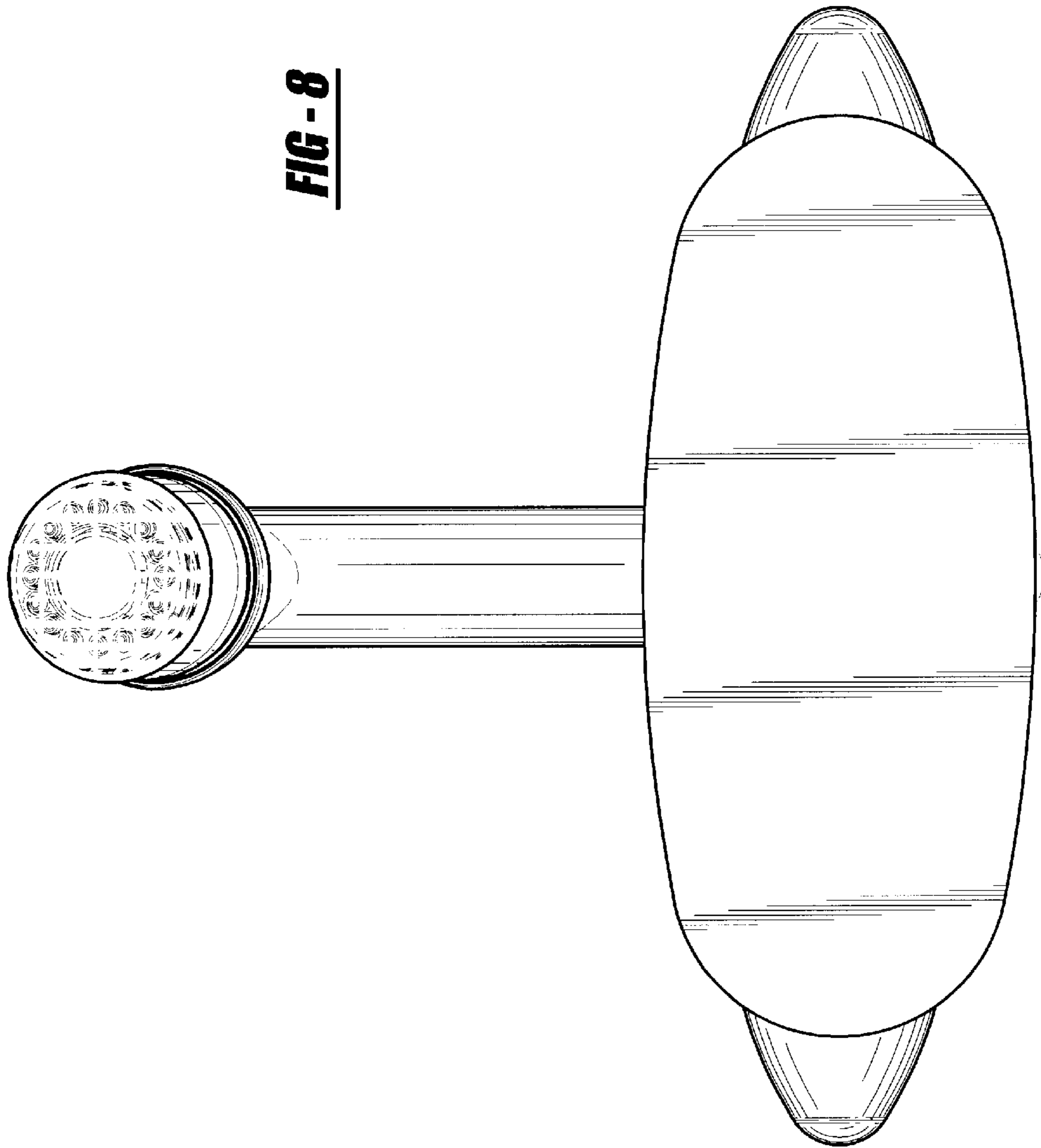


FIG - 8