



US00D486556S

(12) **United States Design Patent**  
**Lobermeier**

(10) **Patent No.:** **US D486,556 S**

(45) **Date of Patent:** **\*\* Feb. 10, 2004**

(54) **STATIONARY SHOWER**

(75) Inventor: **Hans Lobermeier**, Menden (DE)

(73) Assignee: **Friedrich Grohe AG & Co. KG**,  
Hemer (DE)

(\*\*) Term: **14 Years**

(21) Appl. No.: **29/180,392**

(22) Filed: **Apr. 23, 2003**

(30) **Foreign Application Priority Data**

Nov. 15, 2002 (DE) ..... 4 02 09 498

(51) **LOC (7) Cl.** ..... **23-01**

(52) **U.S. Cl.** ..... **D23/229**

(58) **Field of Search** ..... D23/213, 229,  
D23/230; 239/282, 283

(56) **References Cited**

**U.S. PATENT DOCUMENTS**

D77,442 S \* 1/1929 Smith ..... D23/213

D91,825 S \* 3/1934 Isenberg ..... D23/213  
D269,118 S \* 5/1983 Thompson ..... D23/230  
D413,157 S \* 8/1999 Ratzlaff ..... D23/229

\* cited by examiner

*Primary Examiner*—Robin V. Taylor

(74) *Attorney, Agent, or Firm*—Herbert Dubno

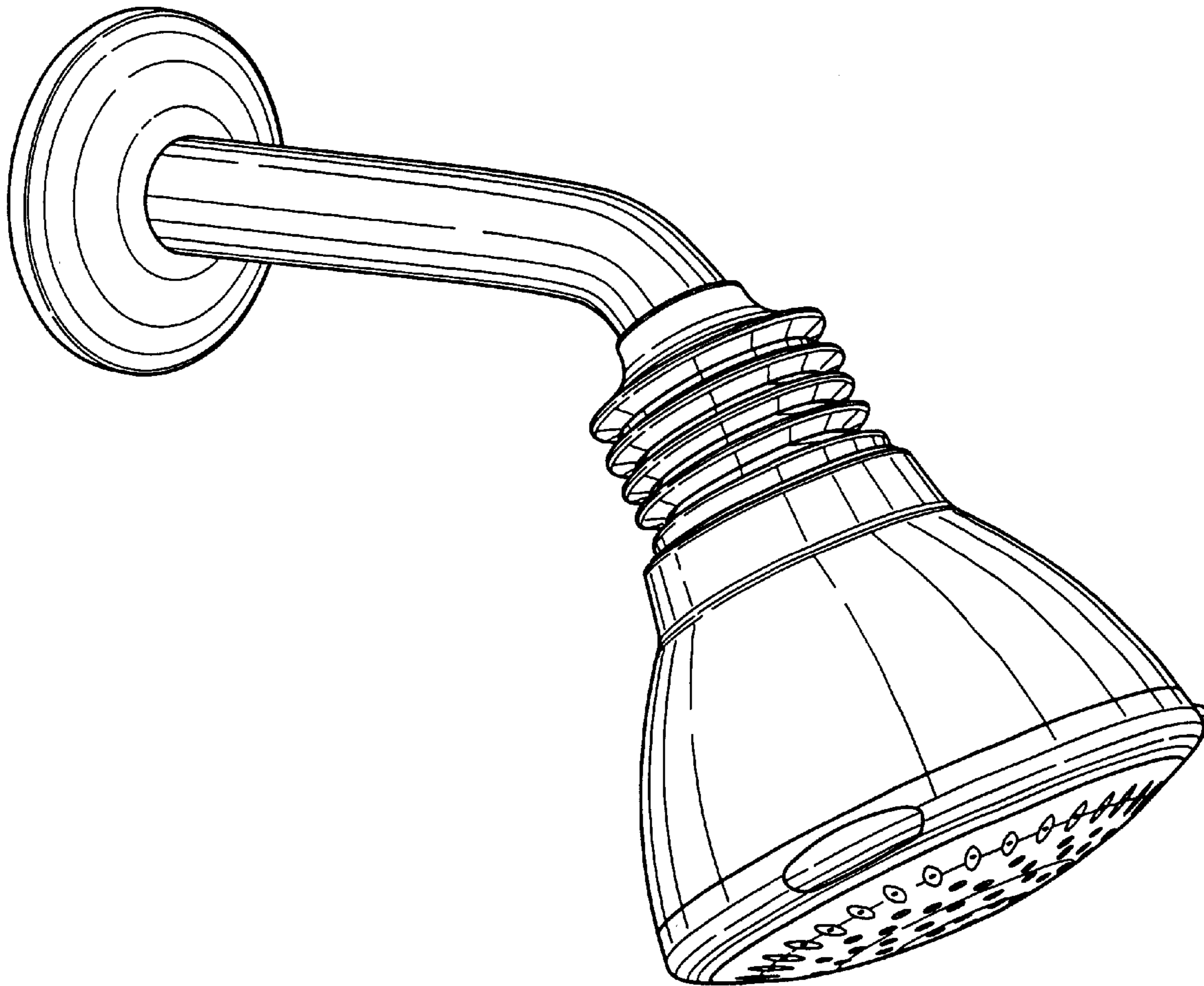
(57) **CLAIM**

The ornamental design for a stationary shower, as shown and described.

**DESCRIPTION**

FIG. 1 is a top, front, left-side perspective view of a stationary shower showing my new design;  
FIG. 2 is a top plan view thereof;  
FIG. 3 is a right side elevational view thereof, the left side elevational view being mirror symmetrical thereto;  
FIG. 4 is a bottom plan view thereof;  
FIG. 5 is a front elevational view thereof; and,  
FIG. 6 is a rear elevational view thereof.

**1 Claim, 3 Drawing Sheets**



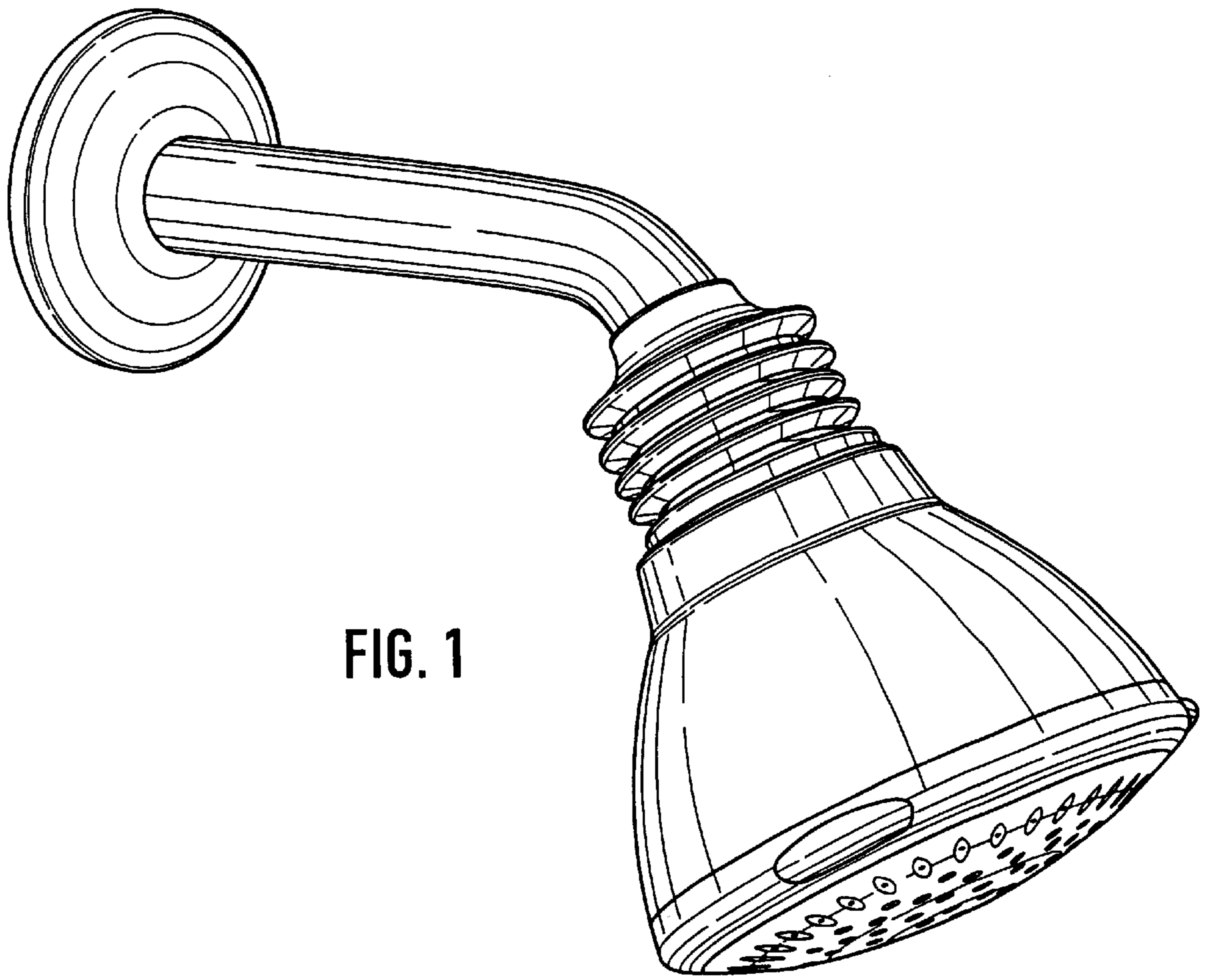


FIG. 1

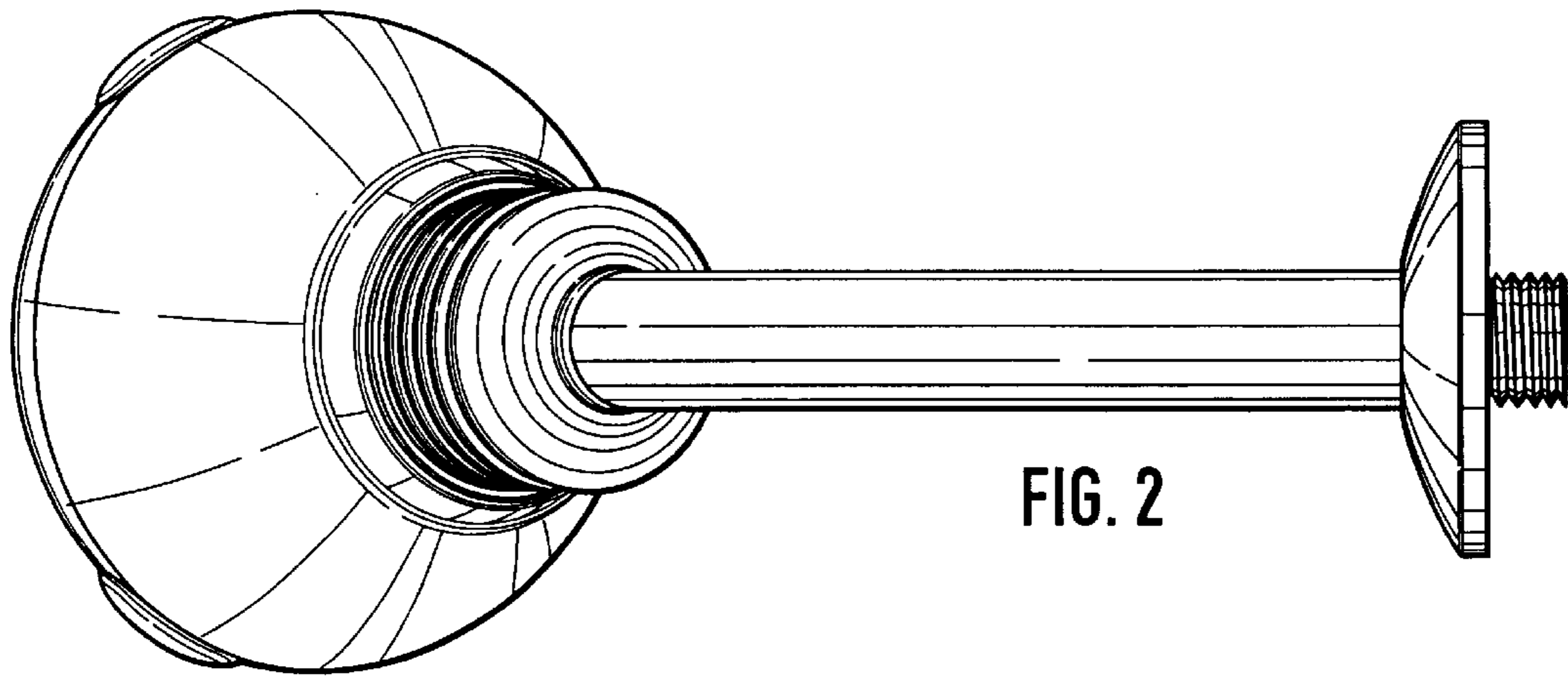


FIG. 2

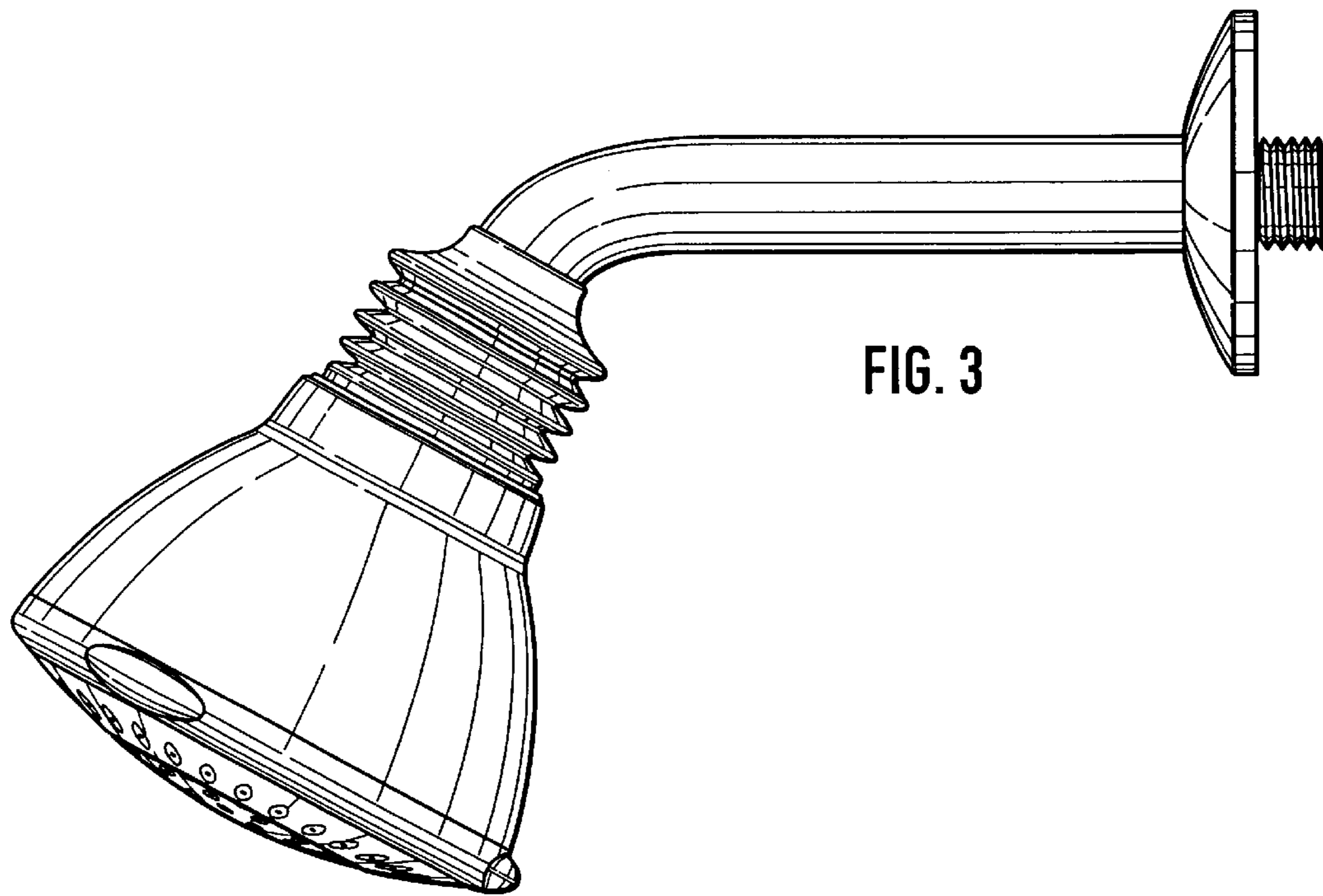


FIG. 3

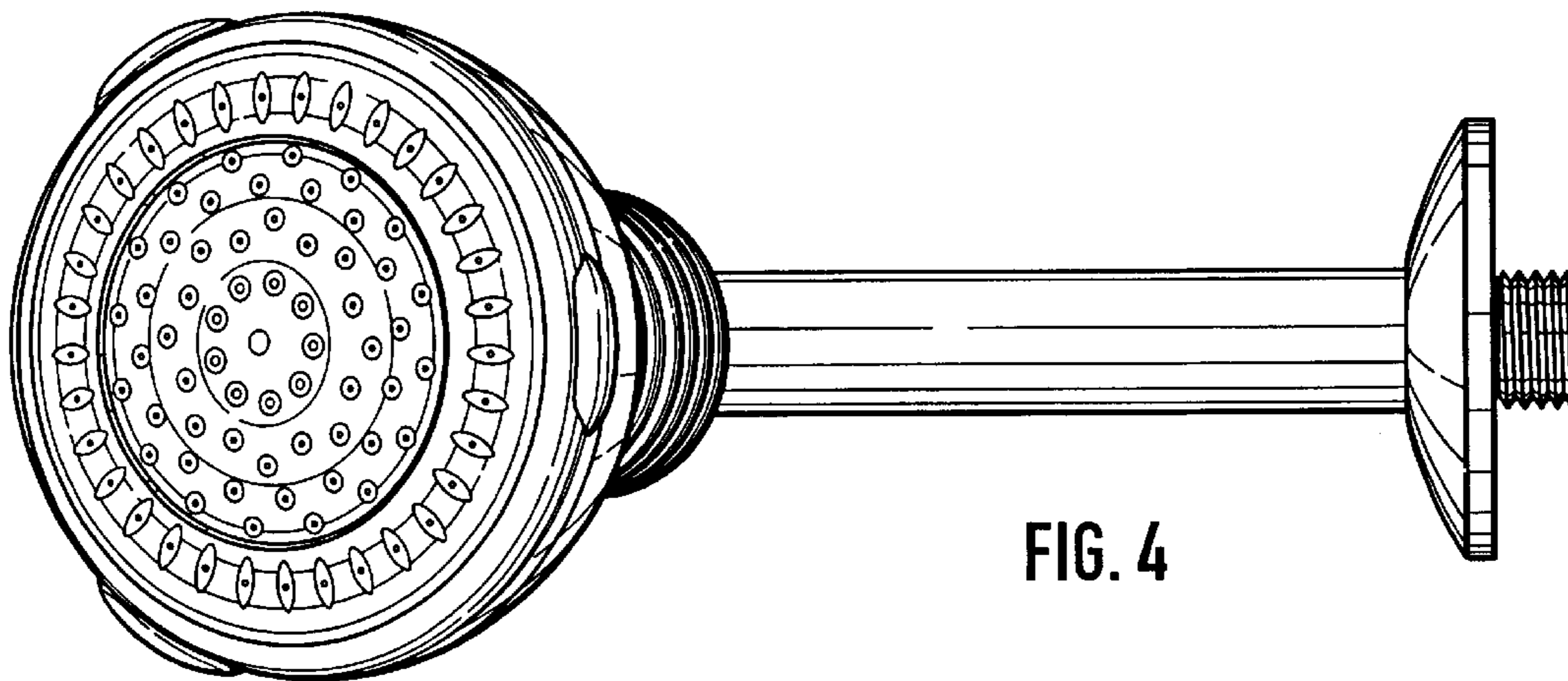


FIG. 4

FIG. 5

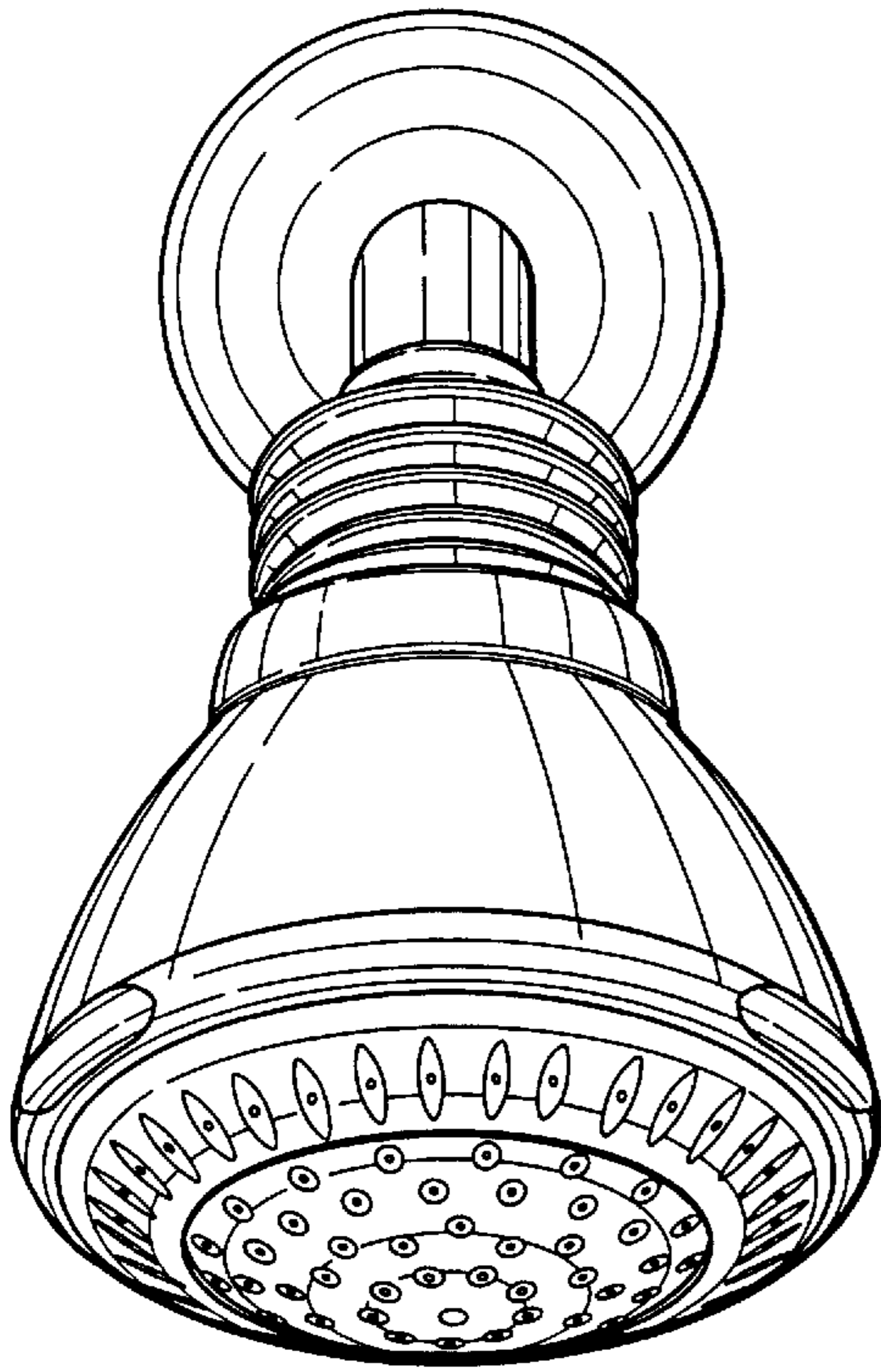


FIG. 6

