



US00D486547S

(12) **United States Design Patent**
Faifer

(10) **Patent No.:** **US D486,547 S**

(45) **Date of Patent:** **** Feb. 10, 2004**

(54) **FOREARM HAND GUARD FOR A RIFLE**

(75) Inventor: **Tuvia Faifer**, Mishmar Ha'shiva (IL)

(73) Assignee: **First Samco Inc.**, Southampton, PA (US)

(**) Term: **14 Years**

(21) Appl. No.: **29/157,270**

(22) Filed: **Mar. 14, 2002**

(51) **LOC (7) Cl.** **22-01**

(52) **U.S. Cl.** **D22/108**

(58) **Field of Search** D22/100, 103, D22/108, 199; 16/DIG. 12; 42/71.01, 75.01, 77, 105, 106, 117, 125; 89/1.42, 14.1, 191.02

(56) **References Cited**

U.S. PATENT DOCUMENTS

4,536,982 A *	8/1985	Bredbury et al.	42/71.01
4,733,489 A *	3/1988	Kurak	42/77
D300,161 S *	3/1989	Baldus et al.	D22/108
5,343,650 A *	9/1994	Swan	42/117
5,930,935 A *	8/1999	Griffin	42/77 X
6,134,823 A *	10/2000	Griffin	42/77 X
6,293,040 B1 *	9/2001	Luth	42/77 X

* cited by examiner

Primary Examiner—Louis S. Zarfaz

Assistant Examiner—Monica A. Weingart

(74) *Attorney, Agent, or Firm*—Drinker Biddle & Reath LLP

(57) **CLAIM**

I claim the ornamental design of a forearm hand guard for a rifle, as shown and described.

DESCRIPTION

FIG. 1 is a perspective view of the forearm hand guard for a rifle as it oriented under the barrel of a rifle.

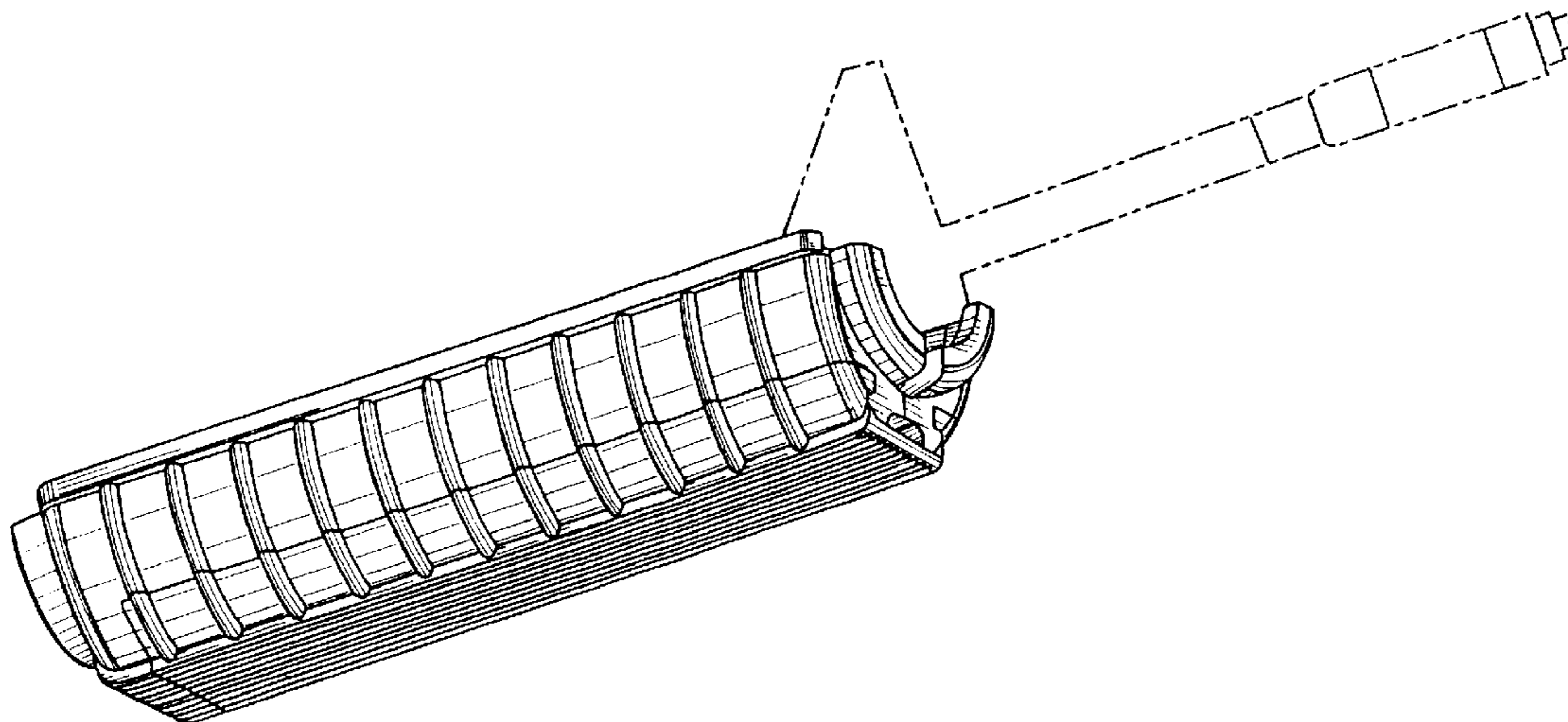
FIG. 2 is a plan view from below of the forearm hand guard for a rifle as it oriented under the barrel of a rifle.

FIG. 3 is a plan view from the rear of the forearm hand guard for a rifle; and,

FIG. 4 is a plan view from the front of the forearm hand guard for a rifle.

The inner portion of the forearm hand guard for a rifle, surrounding the lower half of the barrel, is not visible when the forearm hand guard for a rifle is installed on a rifle and forms no part of the ornamental design. The broken line showing a rifle barrel, in FIG. 1, is for illustrative purposes only and forms no part of the claimed design.

1 Claim, 3 Drawing Sheets



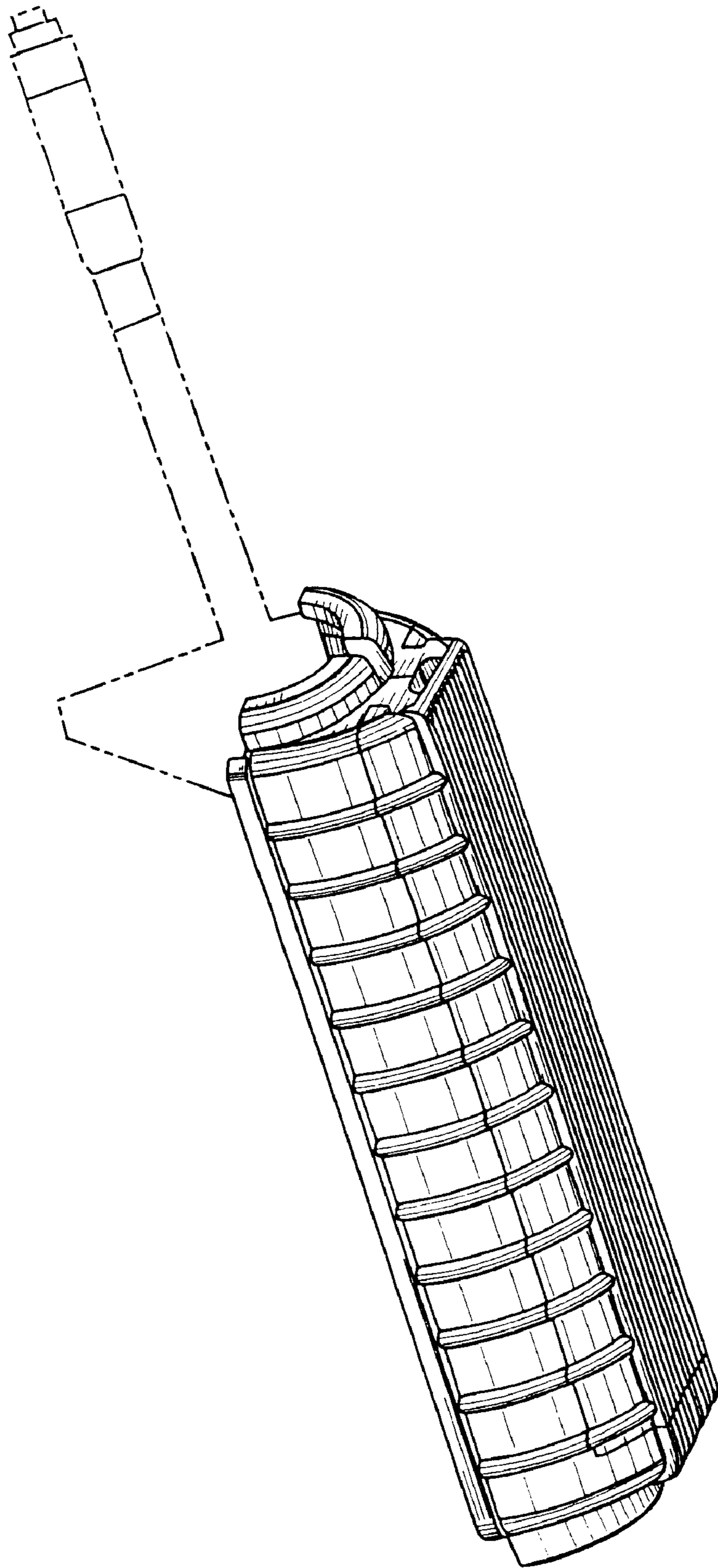


FIG. 1

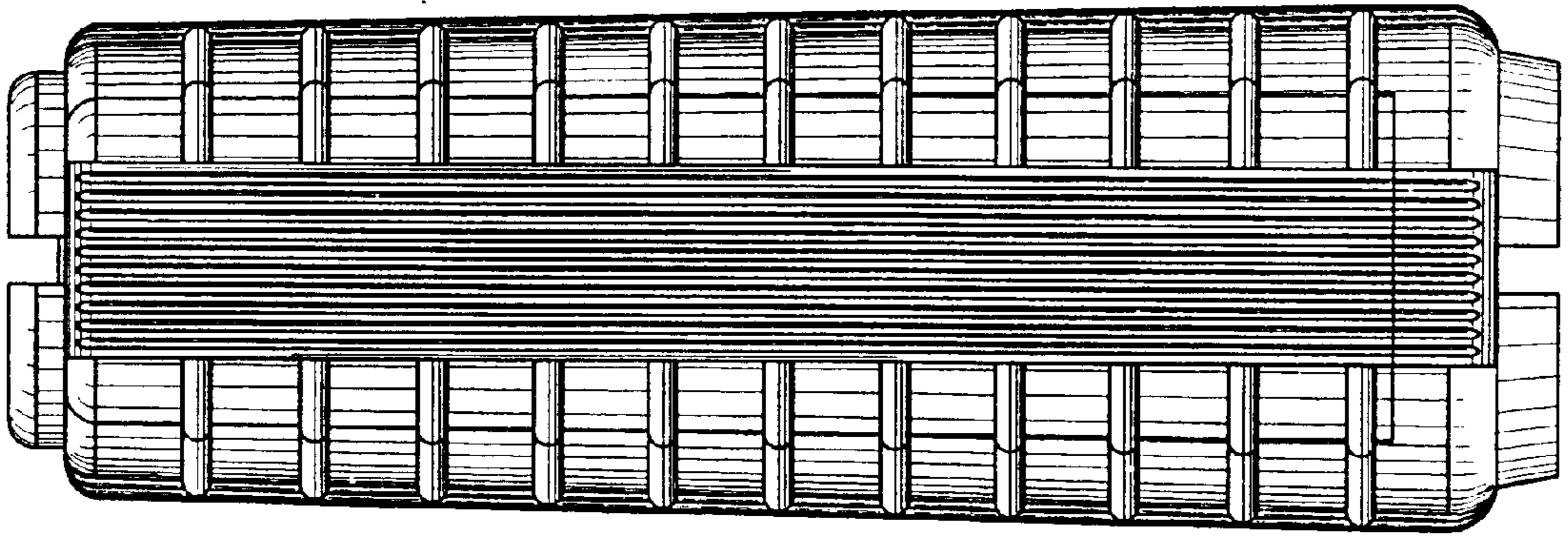


FIG. 2

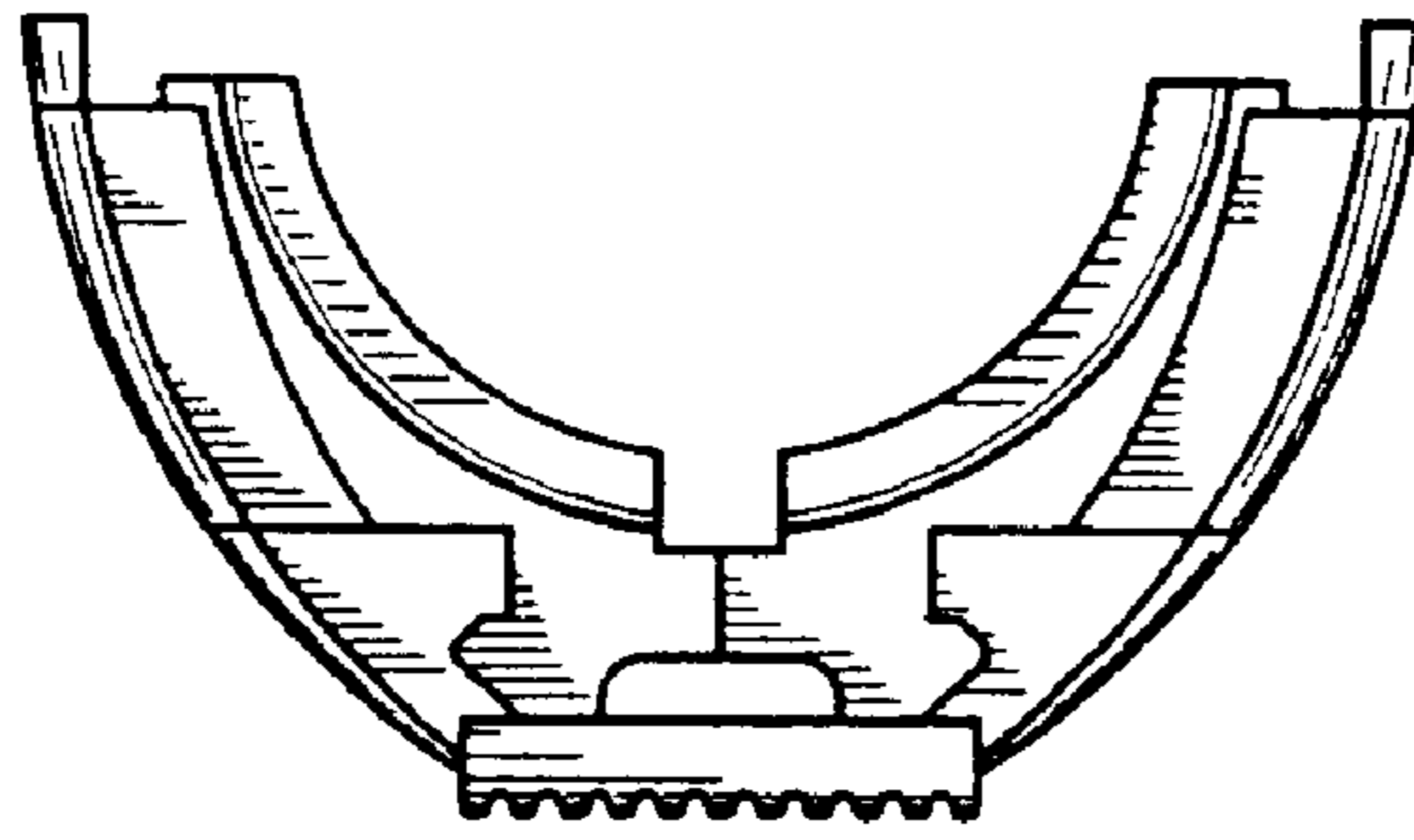


FIG. 3

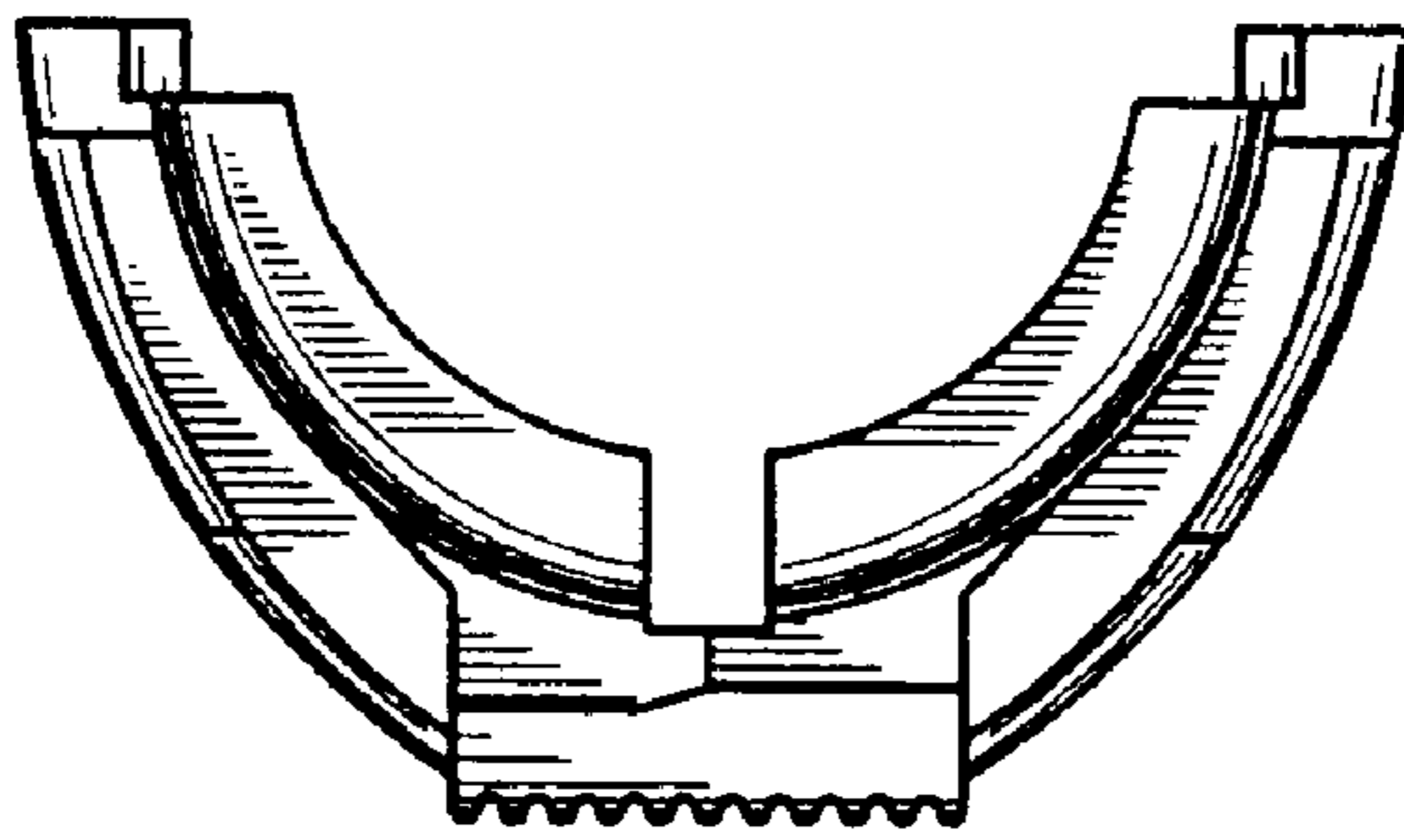


FIG. 4