



US00D486544S

(12) **United States Design Patent**
Featherston

(10) **Patent No.:** **US D486,544 S**

(45) **Date of Patent:** **** Feb. 10, 2004**

(54) **BATTING PRACTICE STAND**

(76) **Inventor:** **Shelley Don Featherston, 5004 FM #987, Kaufman, TX (US) 75142**

(**) **Term:** **14 Years**

(21) **Appl. No.:** **29/178,100**

(22) **Filed:** **Mar. 20, 2003**

(51) **LOC (7) Cl.** **21-02**

(52) **U.S. Cl.** **D21/780; D21/719**

(58) **Field of Search** **D21/662, 691, D21/698, 699, 719, 780, 799.1; 473/415-418, 422, 423, 427, 429, 430, 436, 451, 453, 459, 461, 462, 474, 476, FOR 115**

(56) **References Cited**

U.S. PATENT DOCUMENTS

2,839,300	A	*	6/1958	Blaha et al.	473/430
D192,432	S	*	3/1962	Hasket et al.	D21/719
3,540,726	A	*	11/1970	Davis	473/427
4,647,042	A	*	3/1987	Bruce	473/430
4,706,964	A	*	11/1987	Genovese	473/430 X
4,881,742	A	*	11/1989	Hargreave	473/430

5,060,946	A	*	10/1991	Taylor	473/429
5,467,979	A	*	11/1995	Zarate	473/429
D366,679	S	*	1/1996	Clements	D21/719
D430,629	S	*	9/2000	Alberti	D21/719
D431,061	S	*	9/2000	Solis	D21/719
6,390,939	B1	*	5/2002	Palacios	473/422

* cited by examiner

Primary Examiner—Philip S. Hyder
Assistant Examiner—C Tuttle

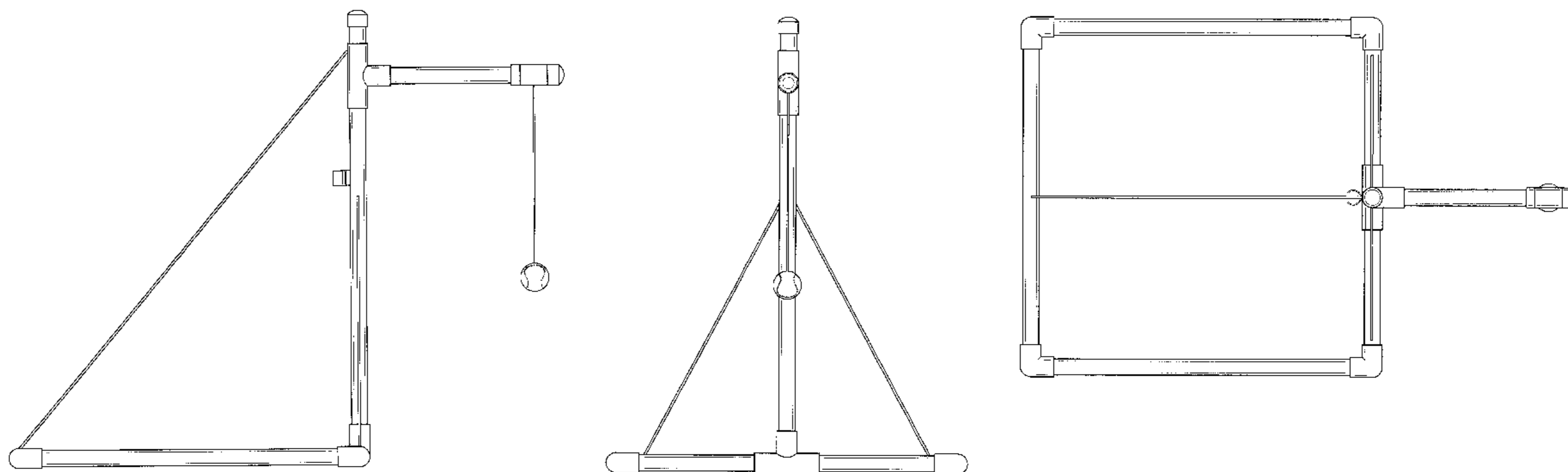
(57) **CLAIM**

The ornamental design for a batting practice stand, as shown and described.

DESCRIPTION

FIG. 1 is a front elevational view of a batting practice stand showing my new design, the rear elevational view being a mirror image thereof; FIG. 2 is a side view, taken from the left side of FIG. 1; FIG. 3 is a side view, taken from the right side of FIG. 1; FIG. 4 is a top plan view thereof; and, FIG. 5 is a bottom plan view thereof.

1 Claim, 5 Drawing Sheets



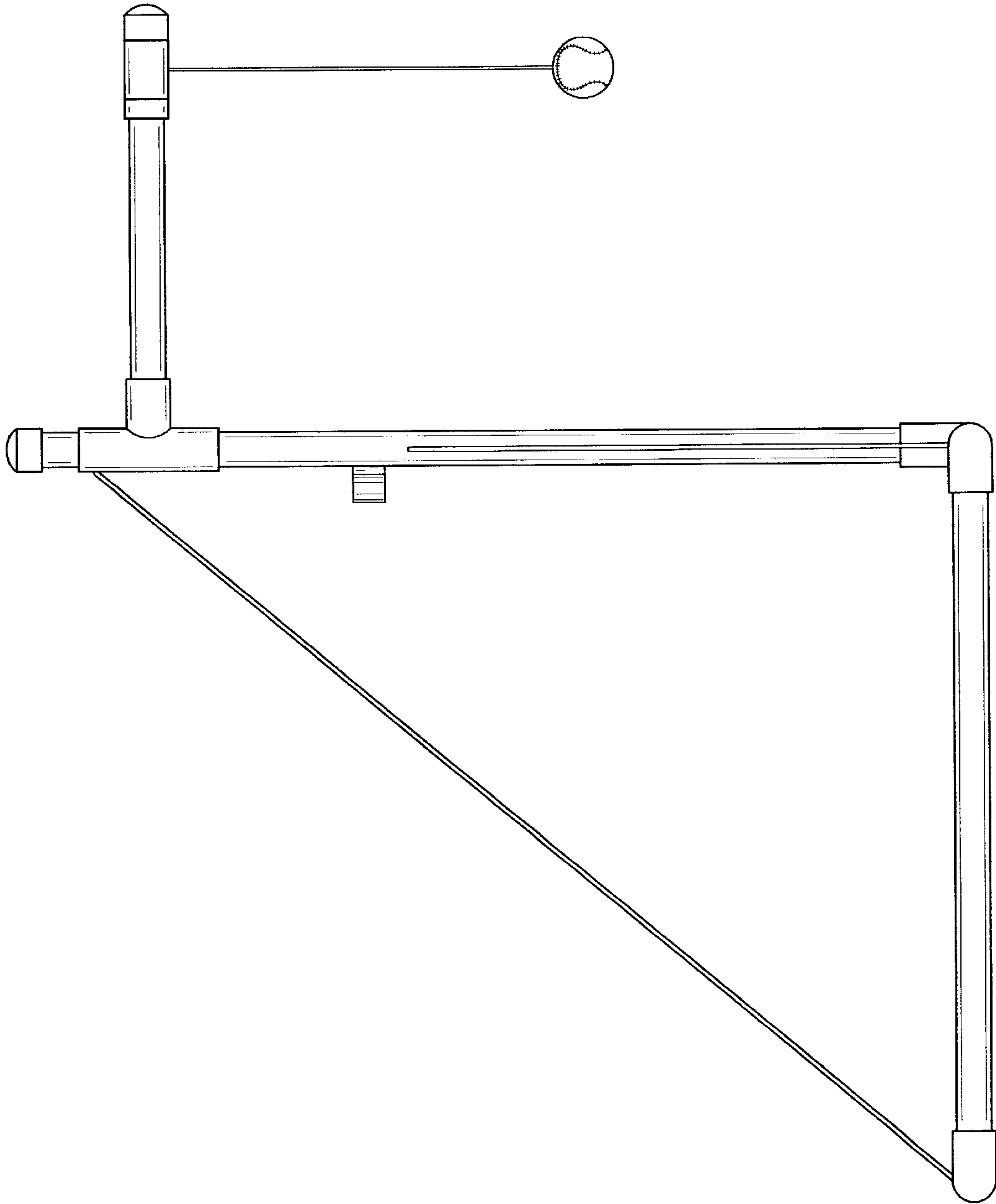


FIG. 1

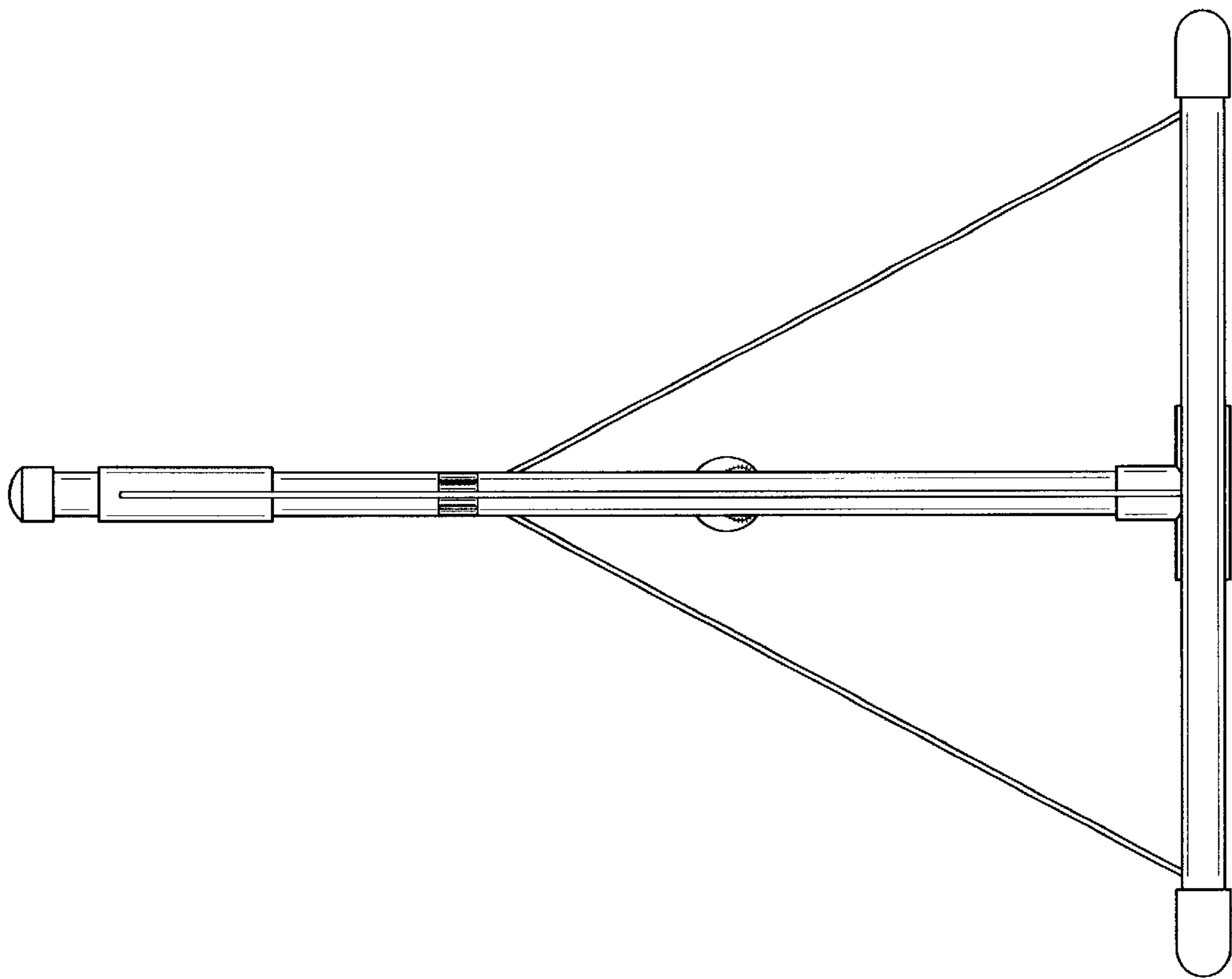


FIG. 2

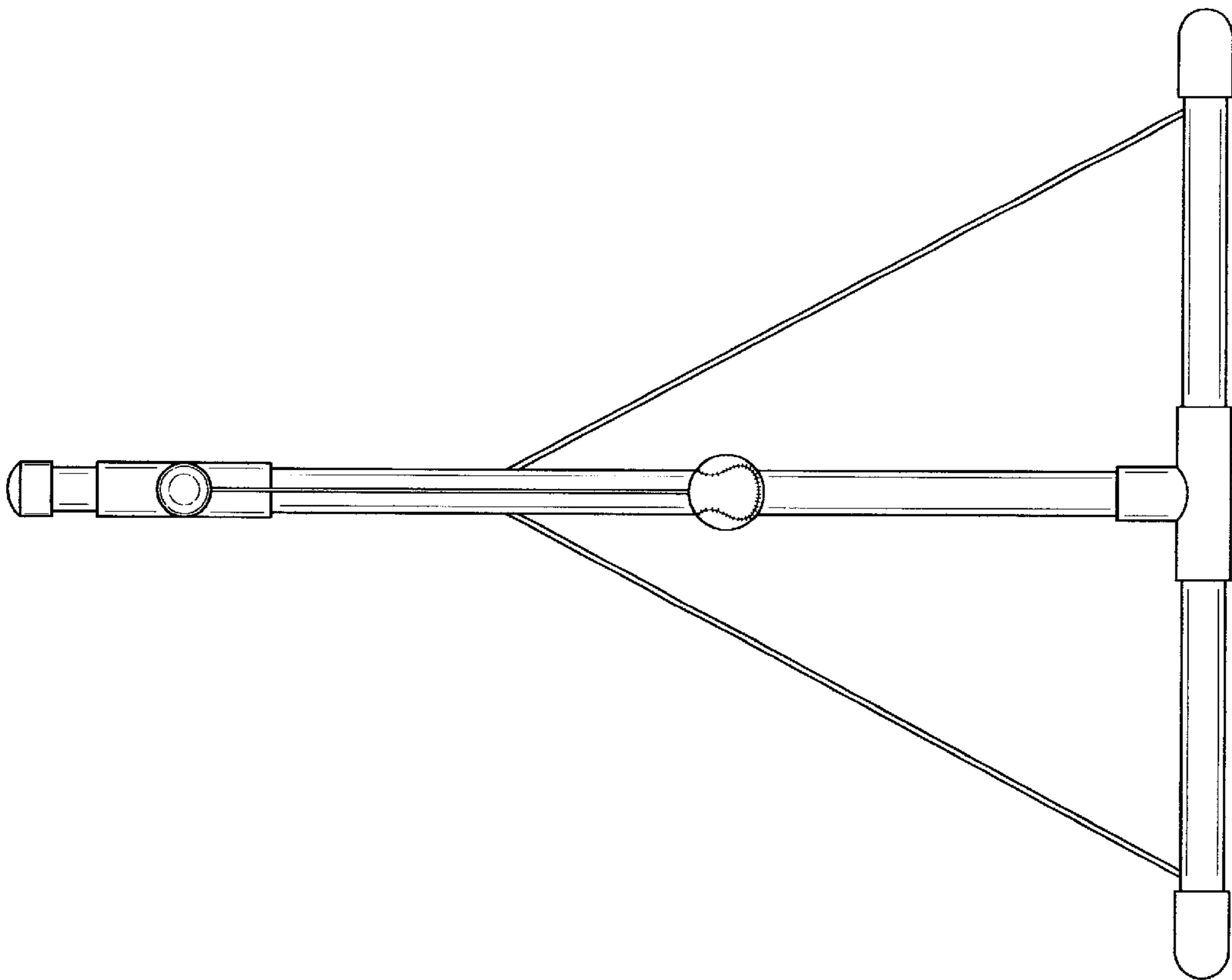


FIG. 3

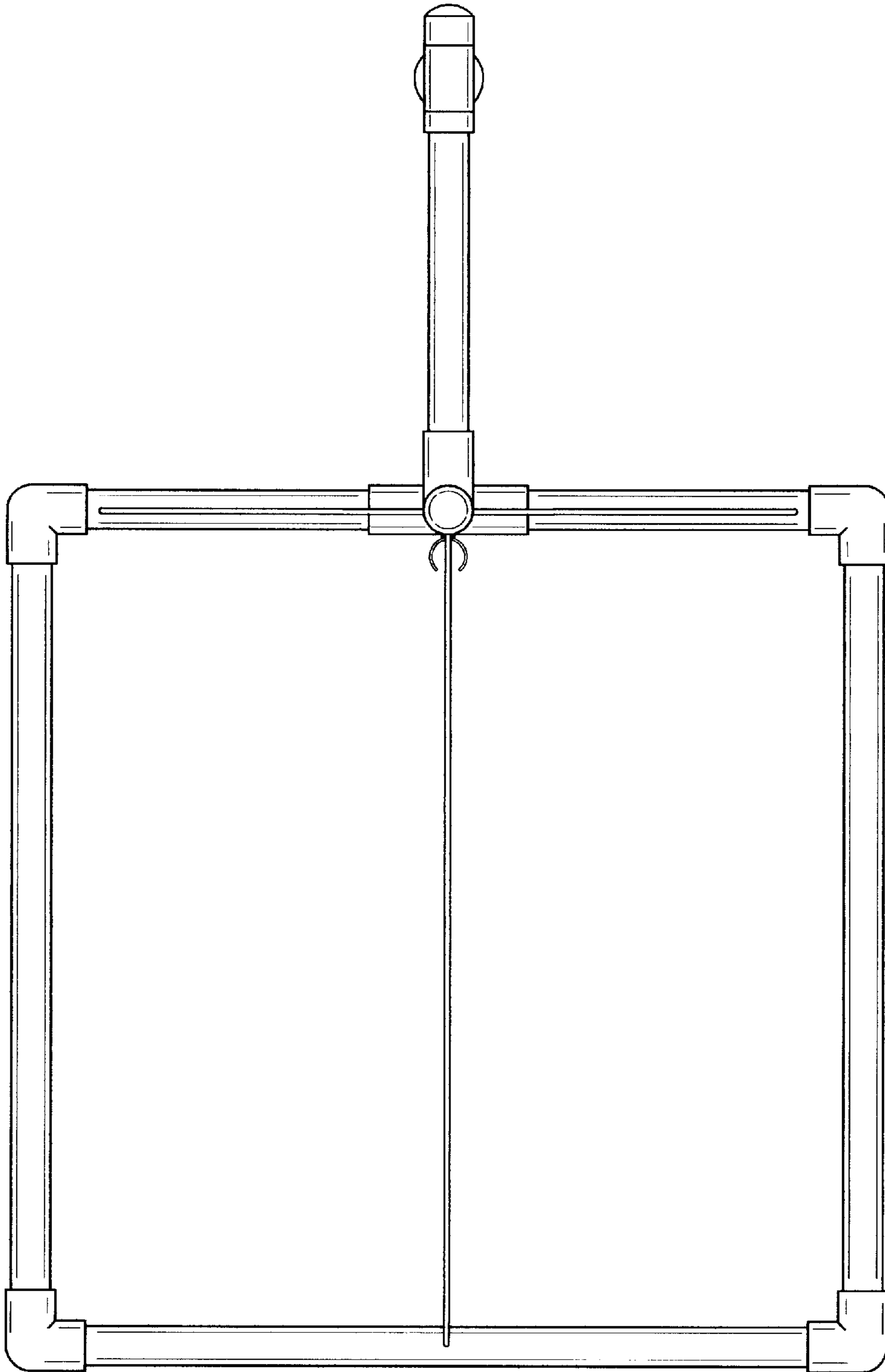


FIG. 4

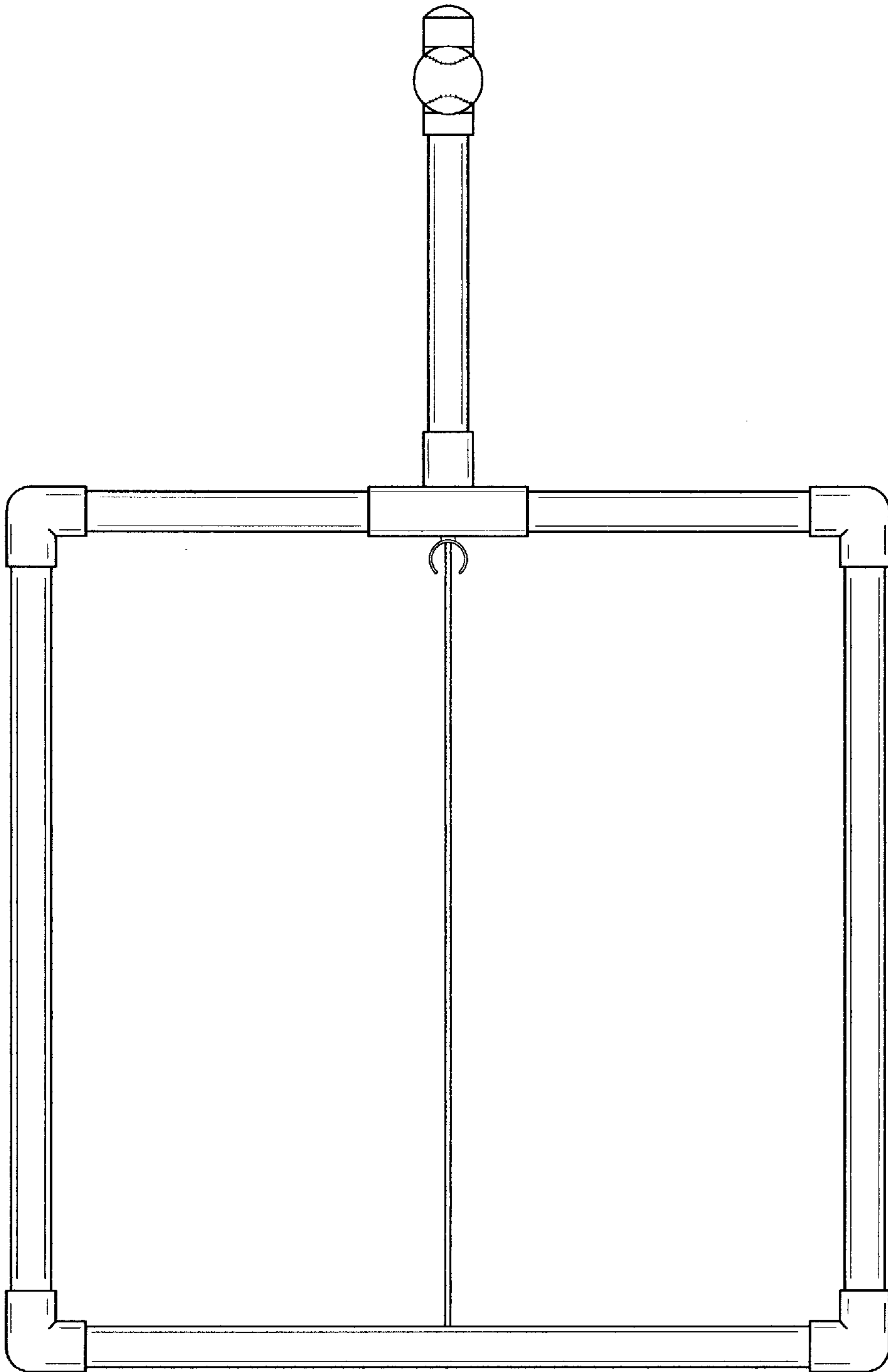


FIG. 5