



US00D486542S

(12) **United States Design Patent**
Burrows

(10) **Patent No.:** **US D486,542 S**

(45) **Date of Patent:** **** Feb. 10, 2004**

(54) **WOOD TYPE HEAD FOR A GOLF CLUB**

(75) Inventor: **Bruce D. Burrows**, Santa Clarita, CA (US)

(73) Assignee: **Burrows Golf, Inc.**, Valencia, CA (US)

(**) Term: **14 Years**

(21) Appl. No.: **29/174,618**

(22) Filed: **Jan. 20, 2003**

(51) **LOC (7) Cl.** **21-02**

(52) **U.S. Cl.** **D21/752**

(58) **Field of Search** D21/733, 752;
473/324-331, 345, 346

(56) **References Cited**

U.S. PATENT DOCUMENTS

1,588,617	A	*	6/1926	Rose	473/343
2,056,335	A	*	10/1936	Wetlaufer	473/245
D285,231	S	*	8/1986	Solomon	D21/733
D385,003	S		10/1997	Burrows		
D390,294	S		2/1998	Burrows		
D390,295	S		2/1998	Burrows		
D392,354	S		3/1998	Burrows		
D397,749	S		9/1998	Burrows		
D399,898	S	*	10/1998	Stone et al.	D21/733
D401,299	S		11/1998	Burrows		
5,851,159	A		12/1998	Burrows		
D413,642	S		9/1999	Burrows		
D413,953	S		9/1999	Burrows		
D437,903	S	*	2/2001	Cope	D21/752
6,422,951	B1		7/2002	Burrows		
6,530,848	B2	*	3/2003	Gillig	473/334
D478,140	S	*	8/2003	Burrows	D21/752

* cited by examiner

Primary Examiner—Mitchell Siegel

(74) *Attorney, Agent, or Firm*—Kelly Bauersfeld Lowry & Kelley, LLP

(57) **CLAIM**

The ornamental design for a wood type head for a golf club, as shown and described.

DESCRIPTION

FIG. 1 is a perspective view showing the top, front and toe end sides of a wood type for a golf club embodying the new design;

FIG. 2 is a front elevational view thereof;

FIG. 3 is a toe end elevational view thereof;

FIG. 4 is a heel end elevational view thereof;

FIG. 5 is a rear elevational view thereof;

FIG. 6 is a top plan view thereof;

FIG. 7 is a bottom plan view thereof;

FIG. 8 is a sectional view taken generally on the line 8—8 of FIG. 3;

FIG. 9 is a perspective view showing the bottom, front and toe end sides of a wood type golf club in accordance with a second embodiment of the new design;

FIG. 10 is a toe end elevational view of the embodiment of FIG. 9;

FIG. 11 is a bottom plan view of the embodiment of FIG. 9; and,

FIG. 12 is a sectional view taken generally on the line 12—12 of FIG. 10.

The undisclosed sides of the second embodiment are identical to those shown of the first embodiment.

The broken line showings of a fragmented golf club shaft and a faceplate groove pattern are for illustrative purposes only and form no part of the claimed design.

1 Claim, 6 Drawing Sheets

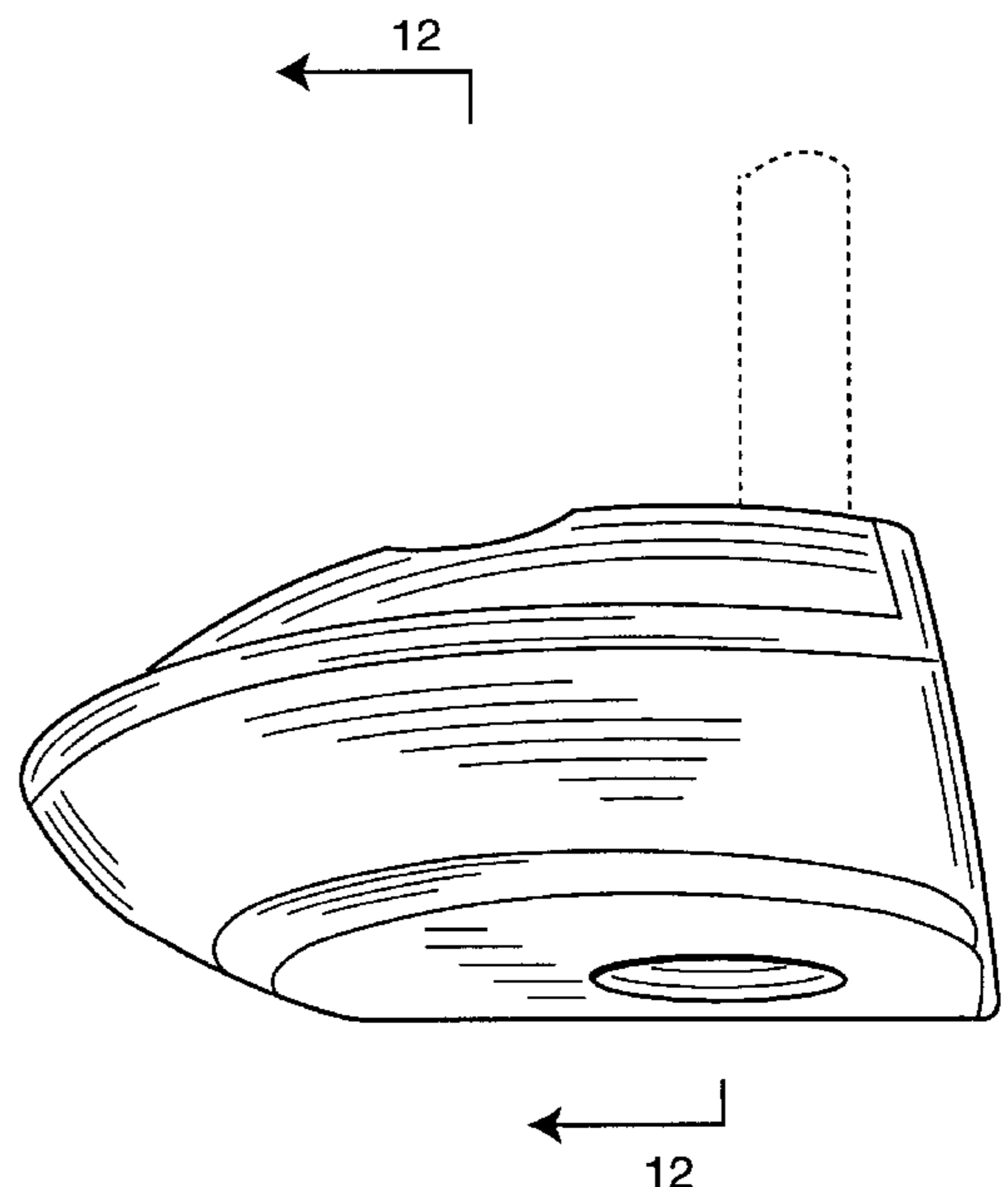
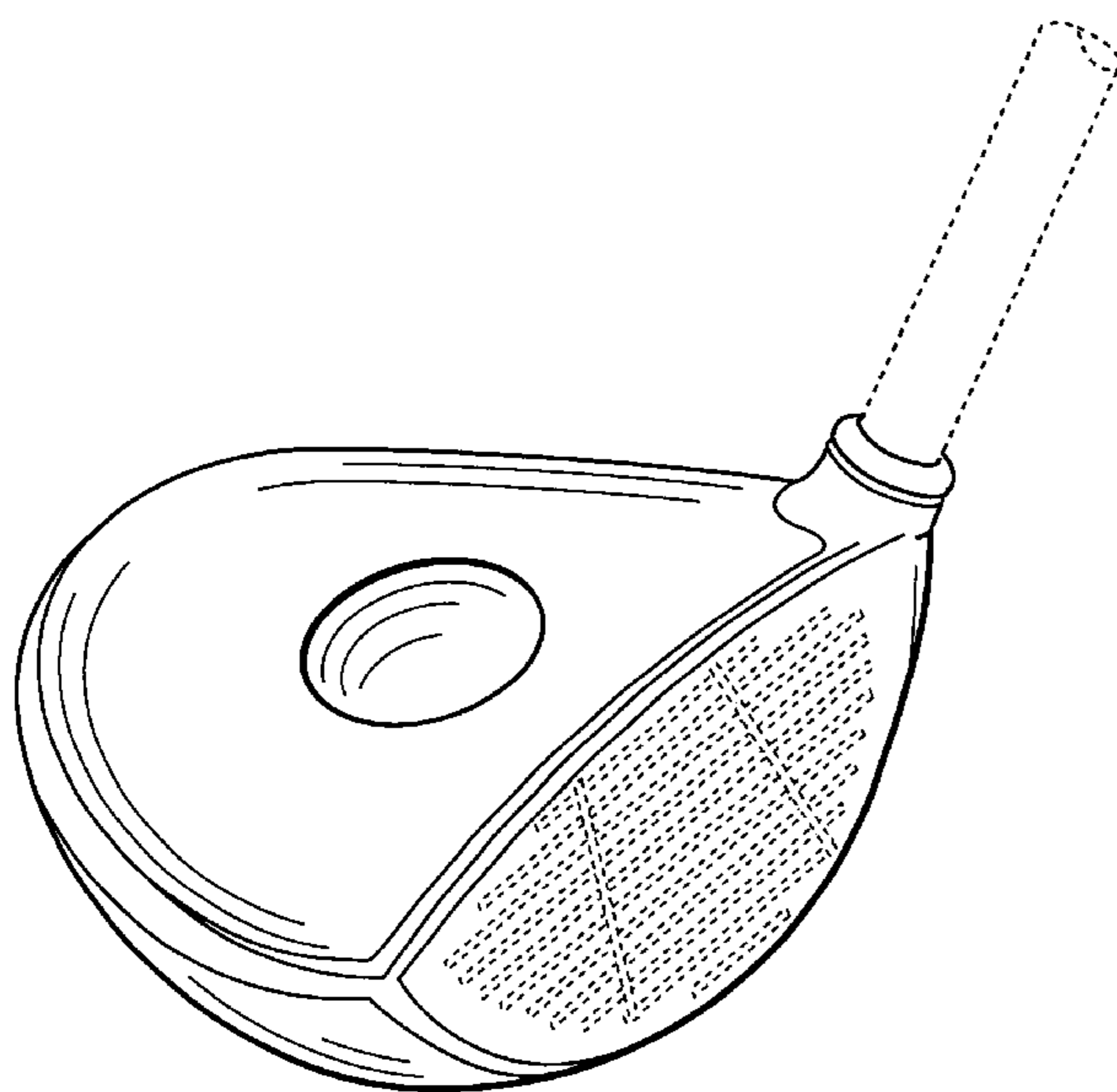


FIG. 1

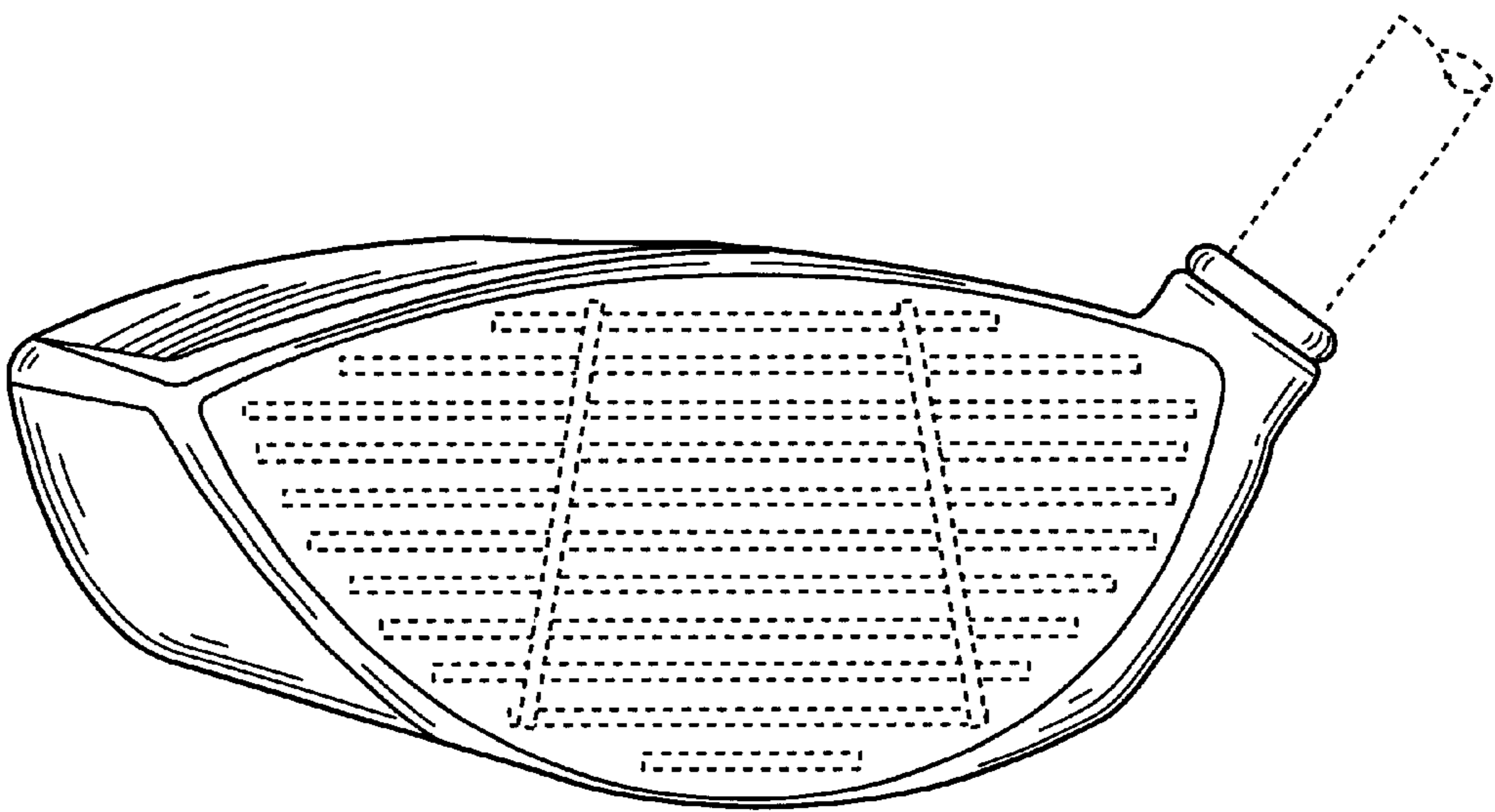
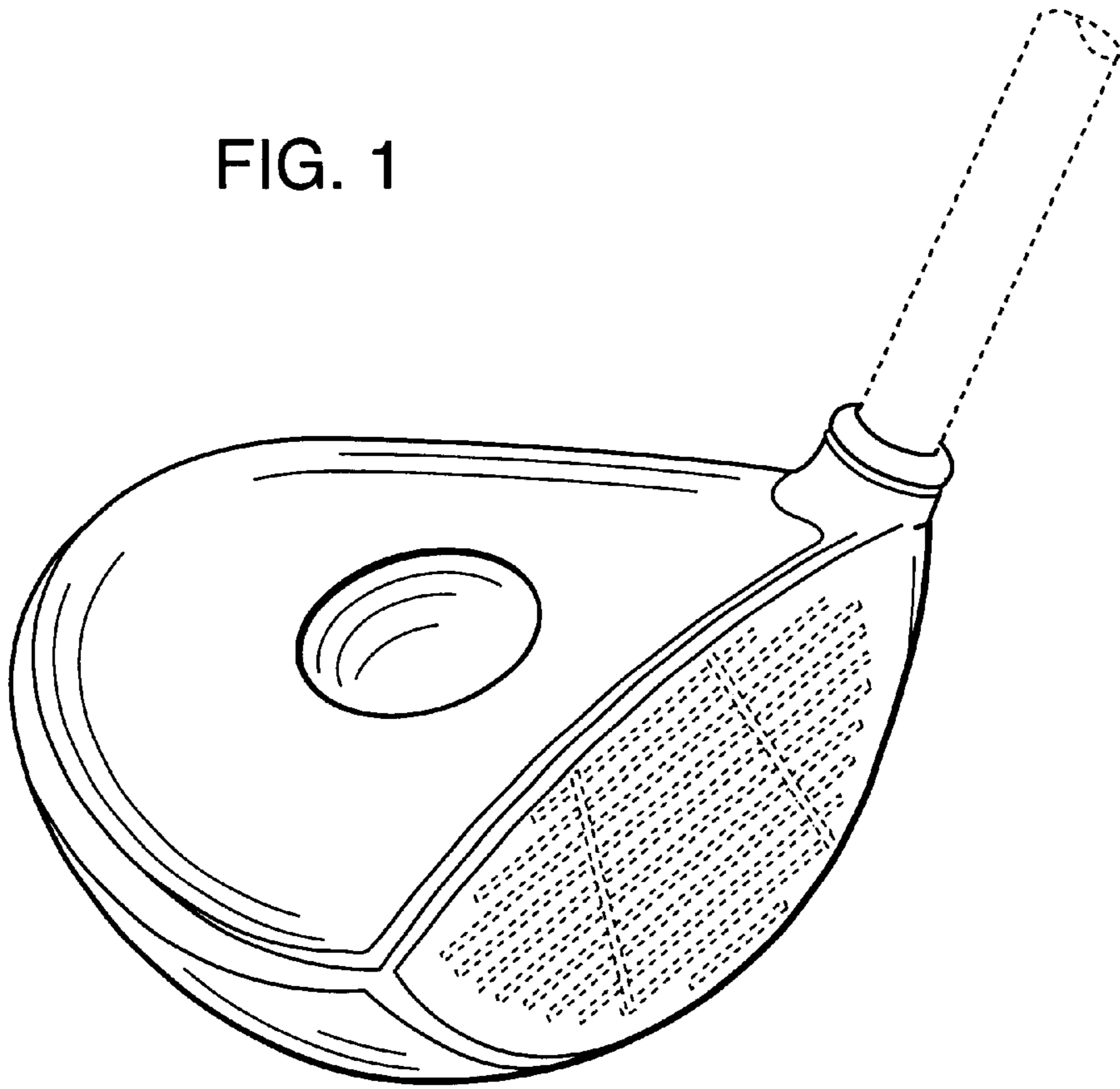


FIG. 2

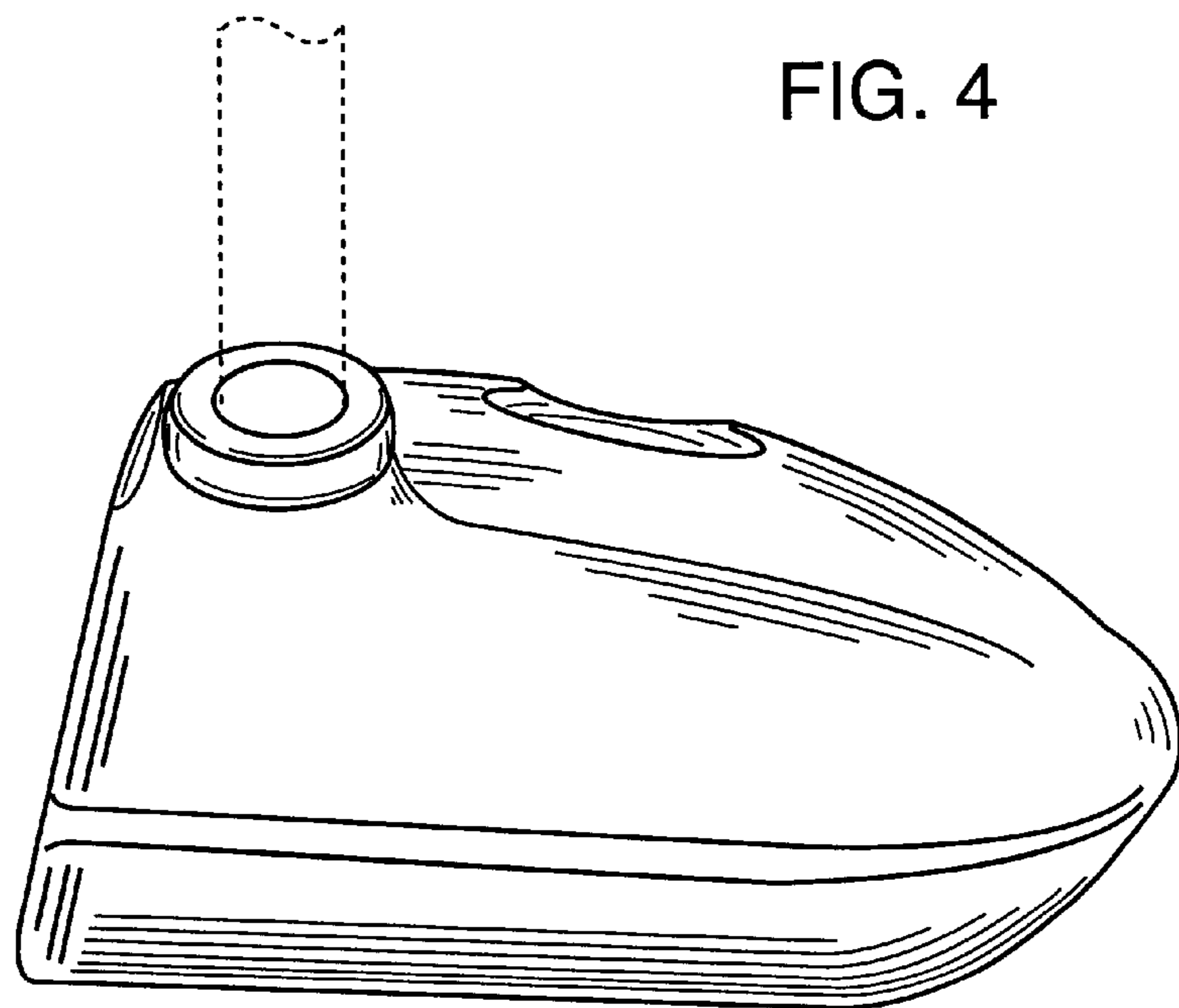
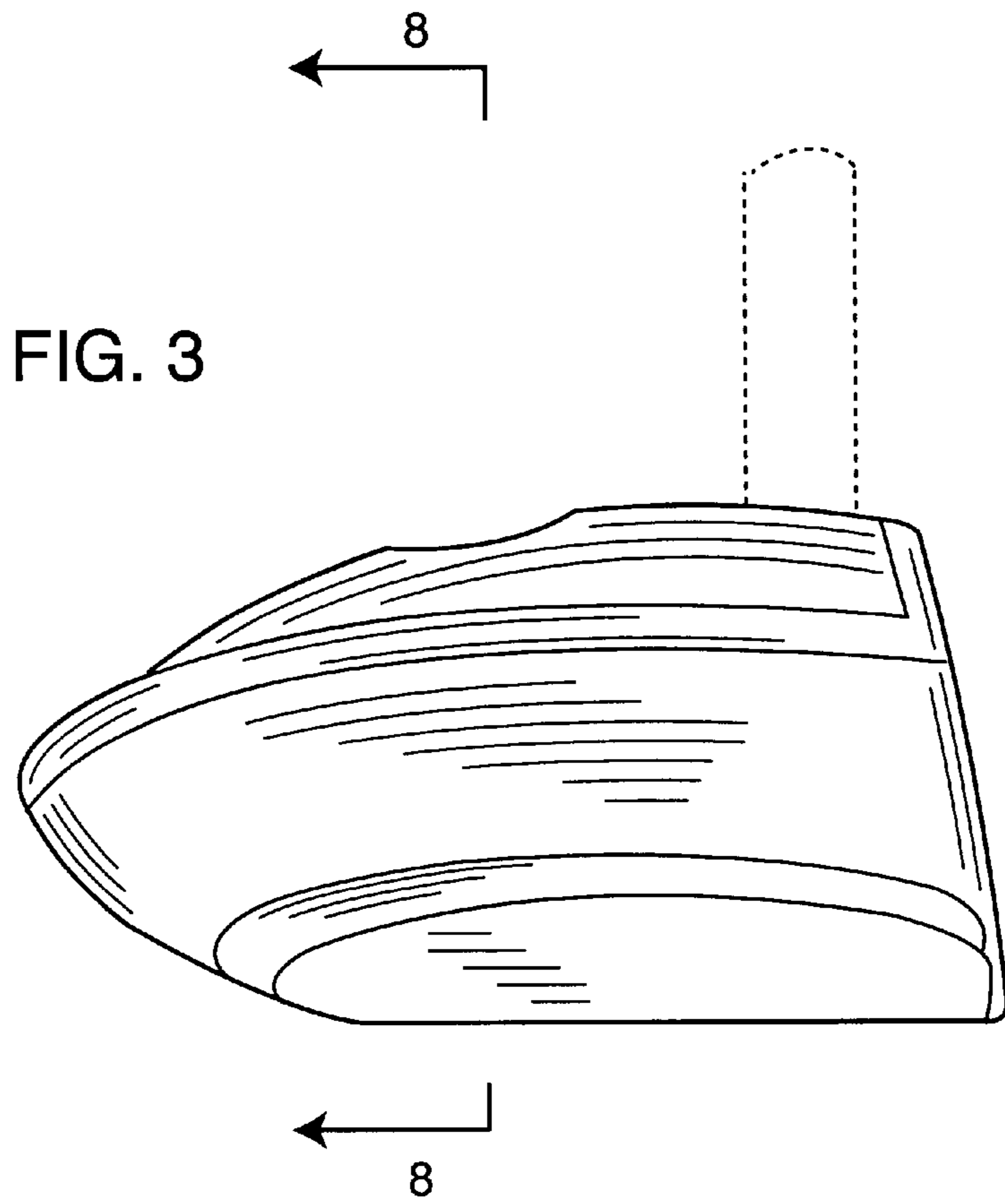


FIG. 5

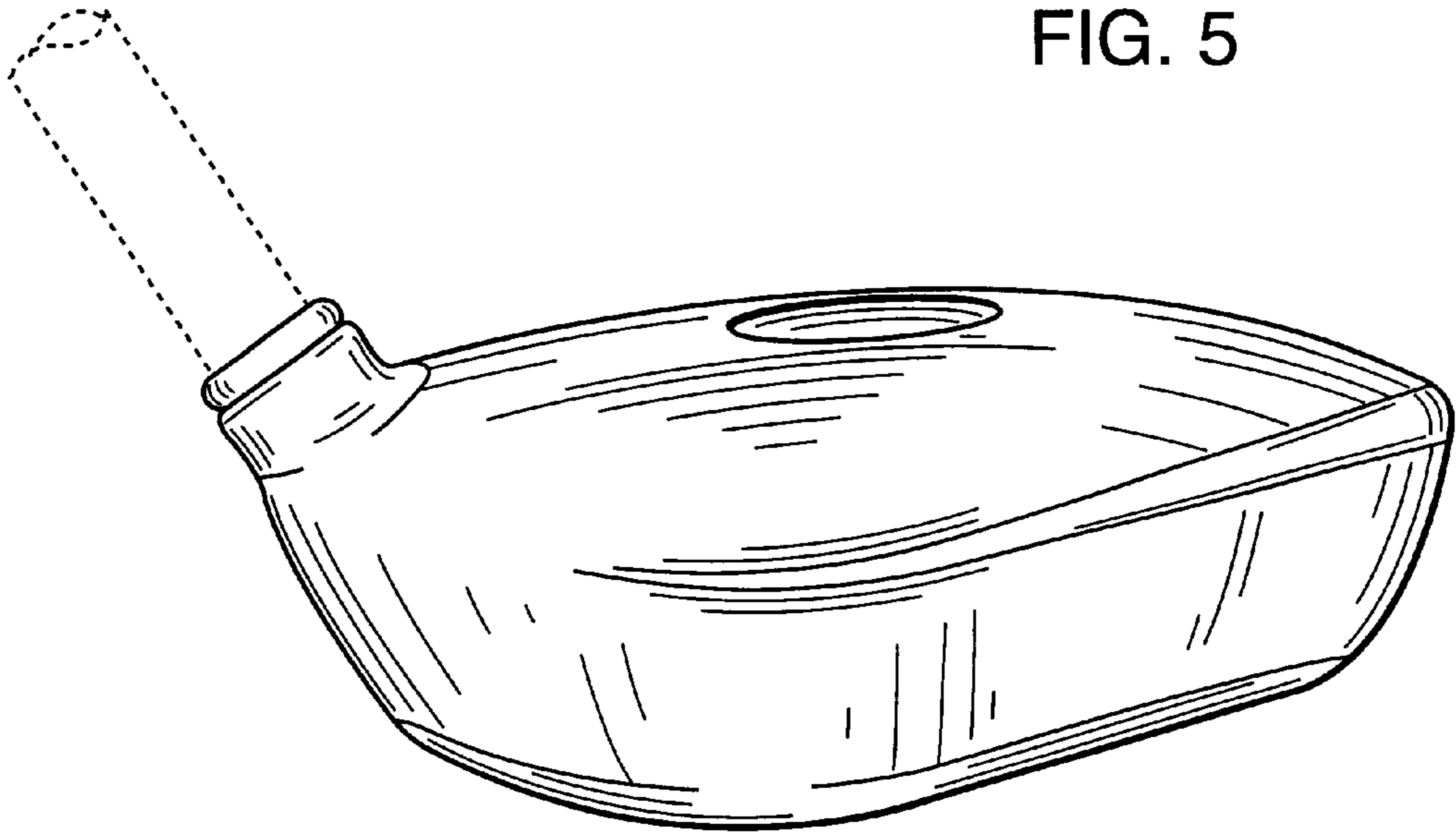
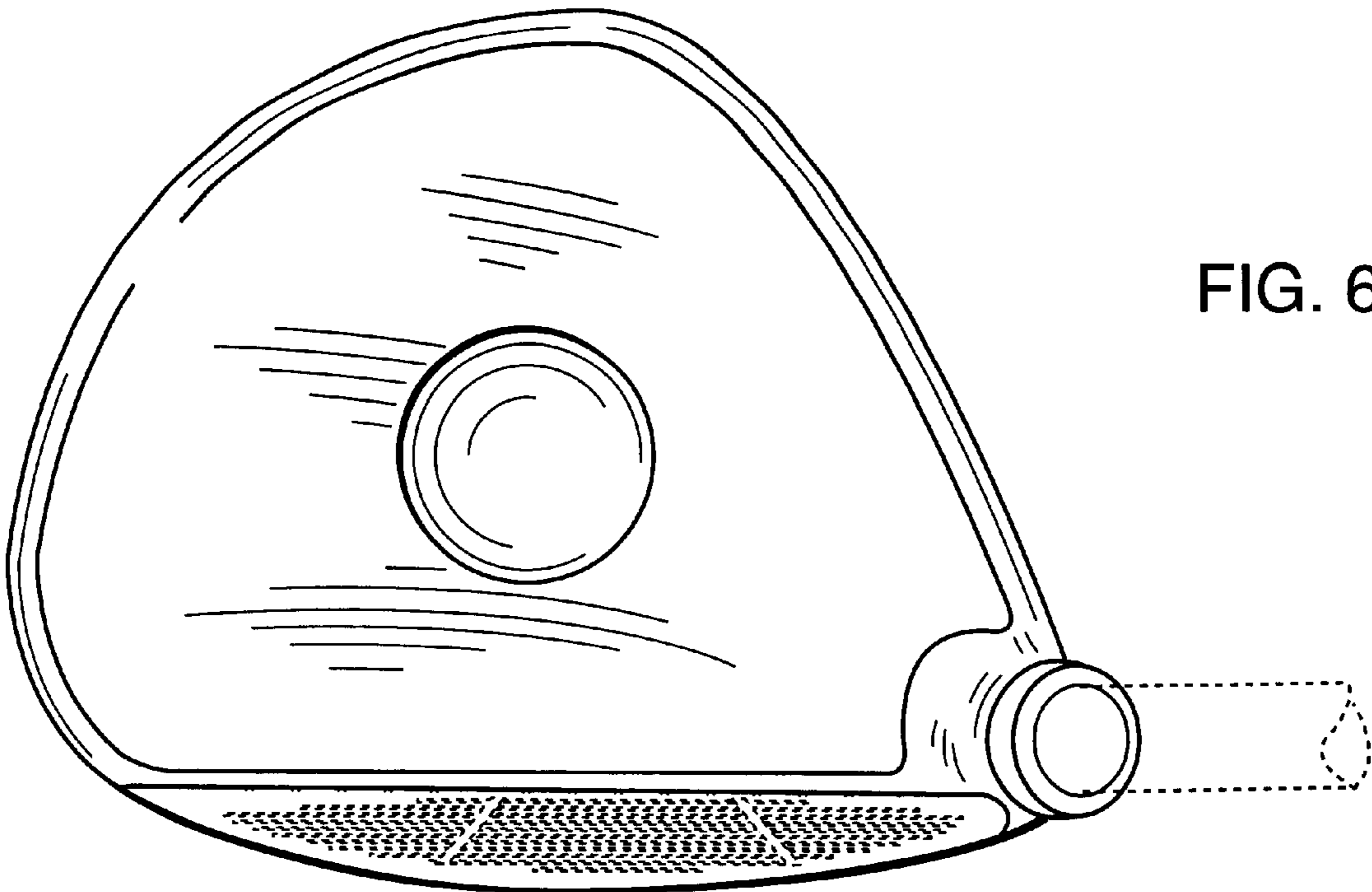


FIG. 6



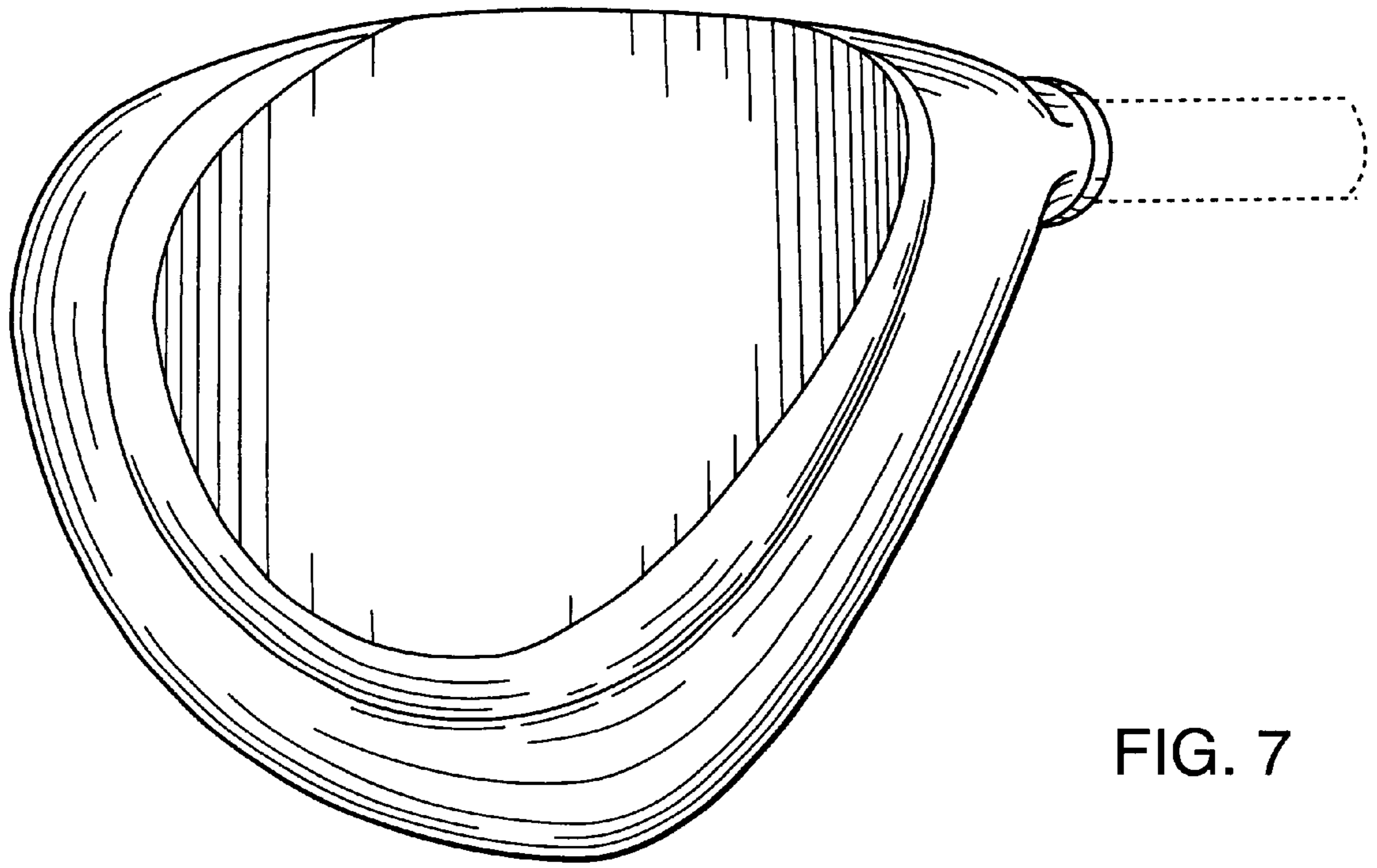


FIG. 7

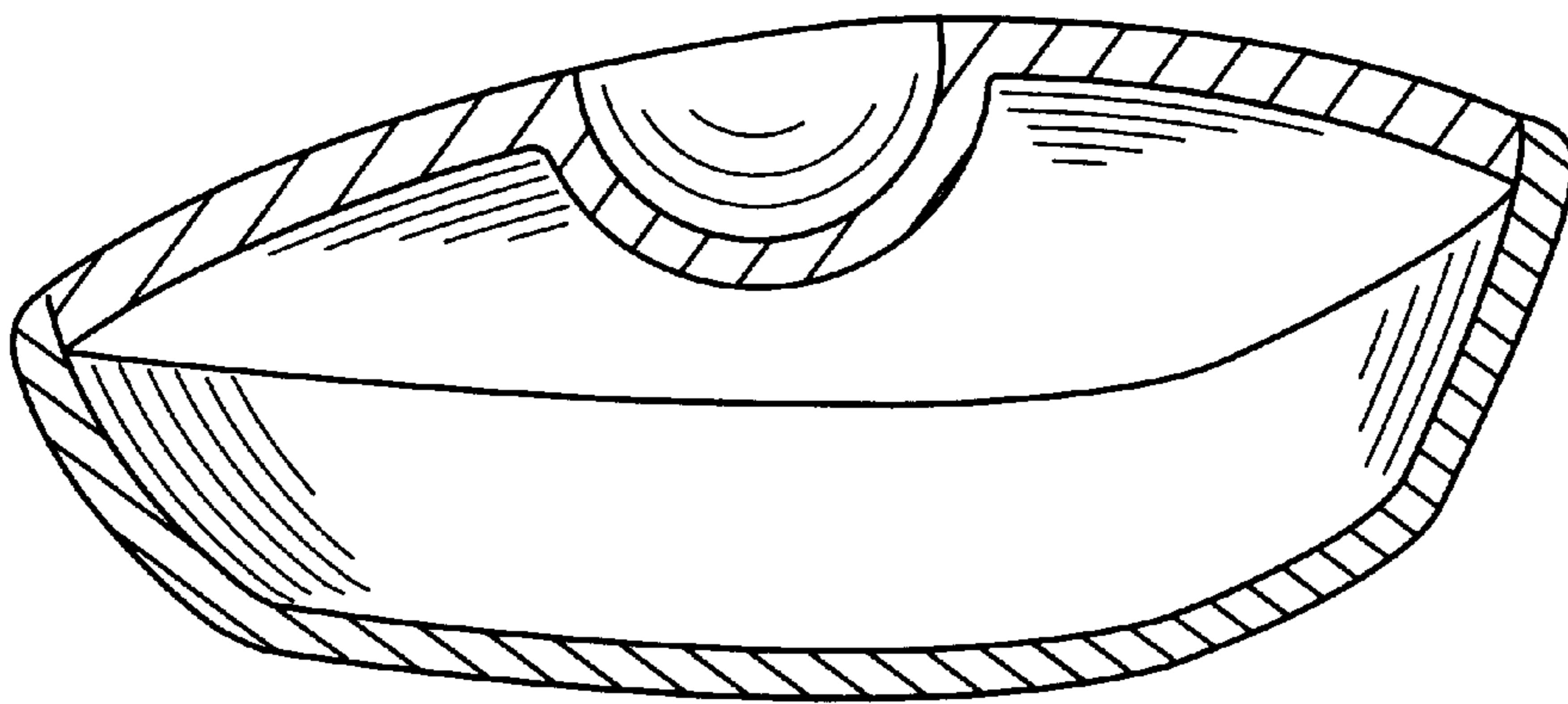


FIG. 8

FIG. 9

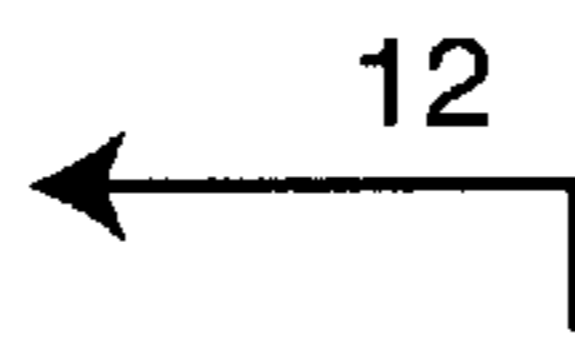
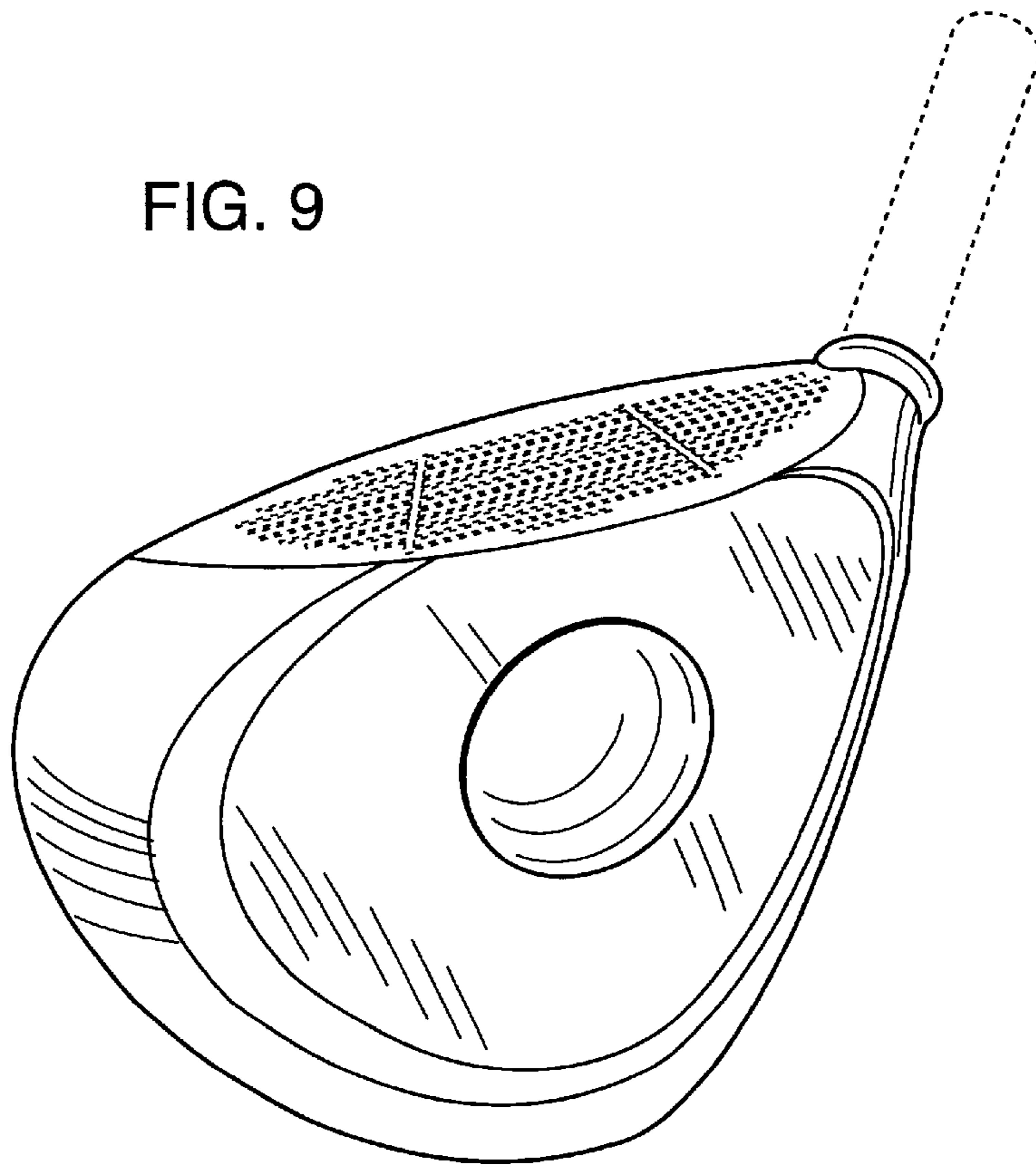
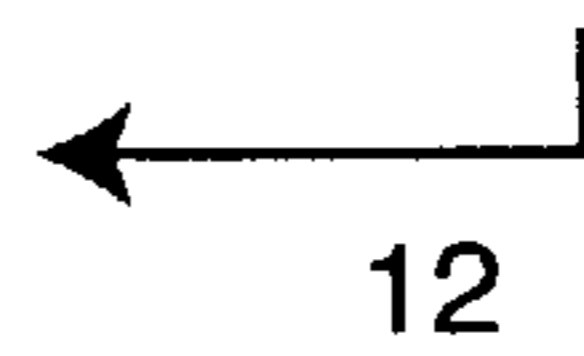
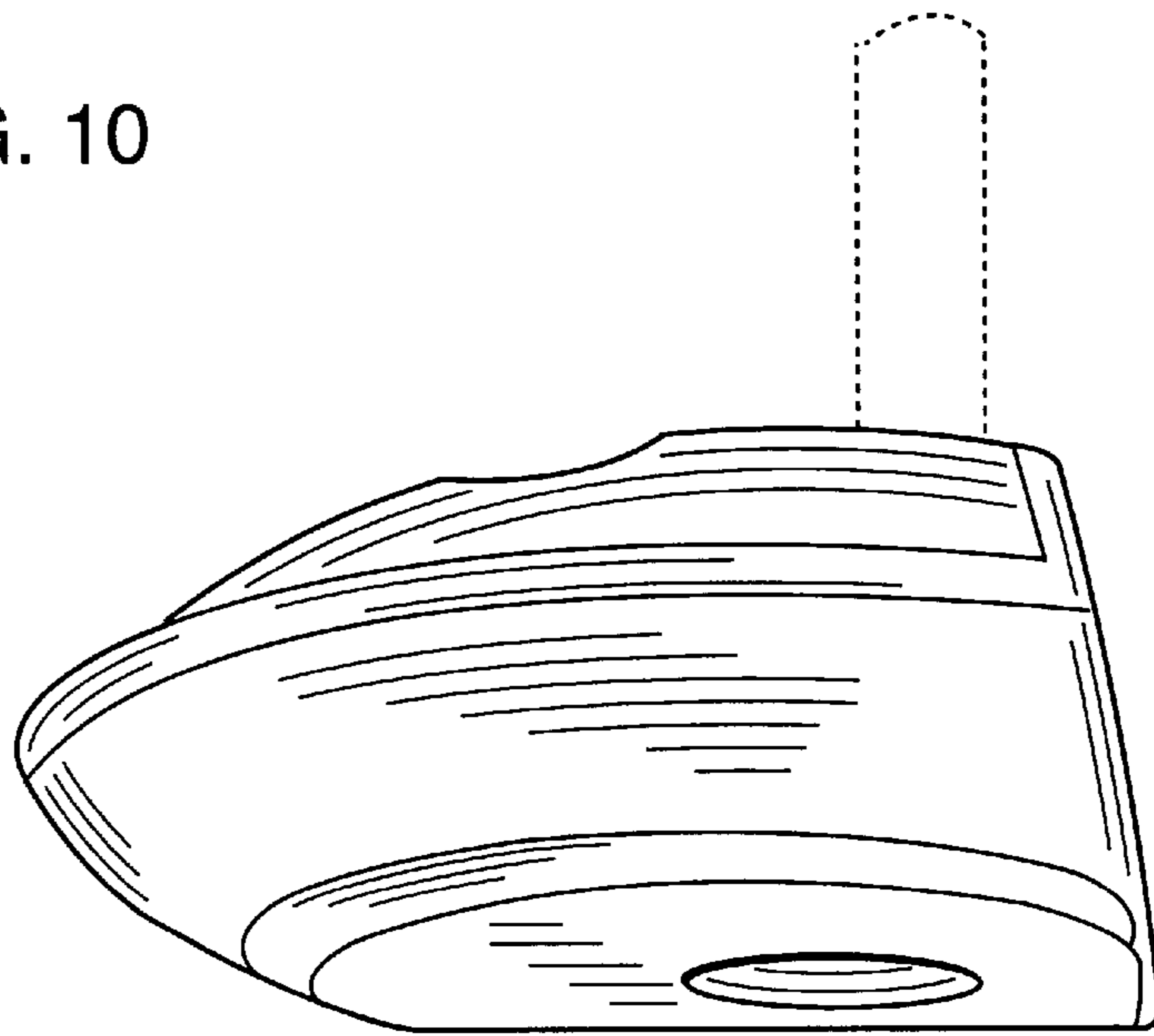


FIG. 10



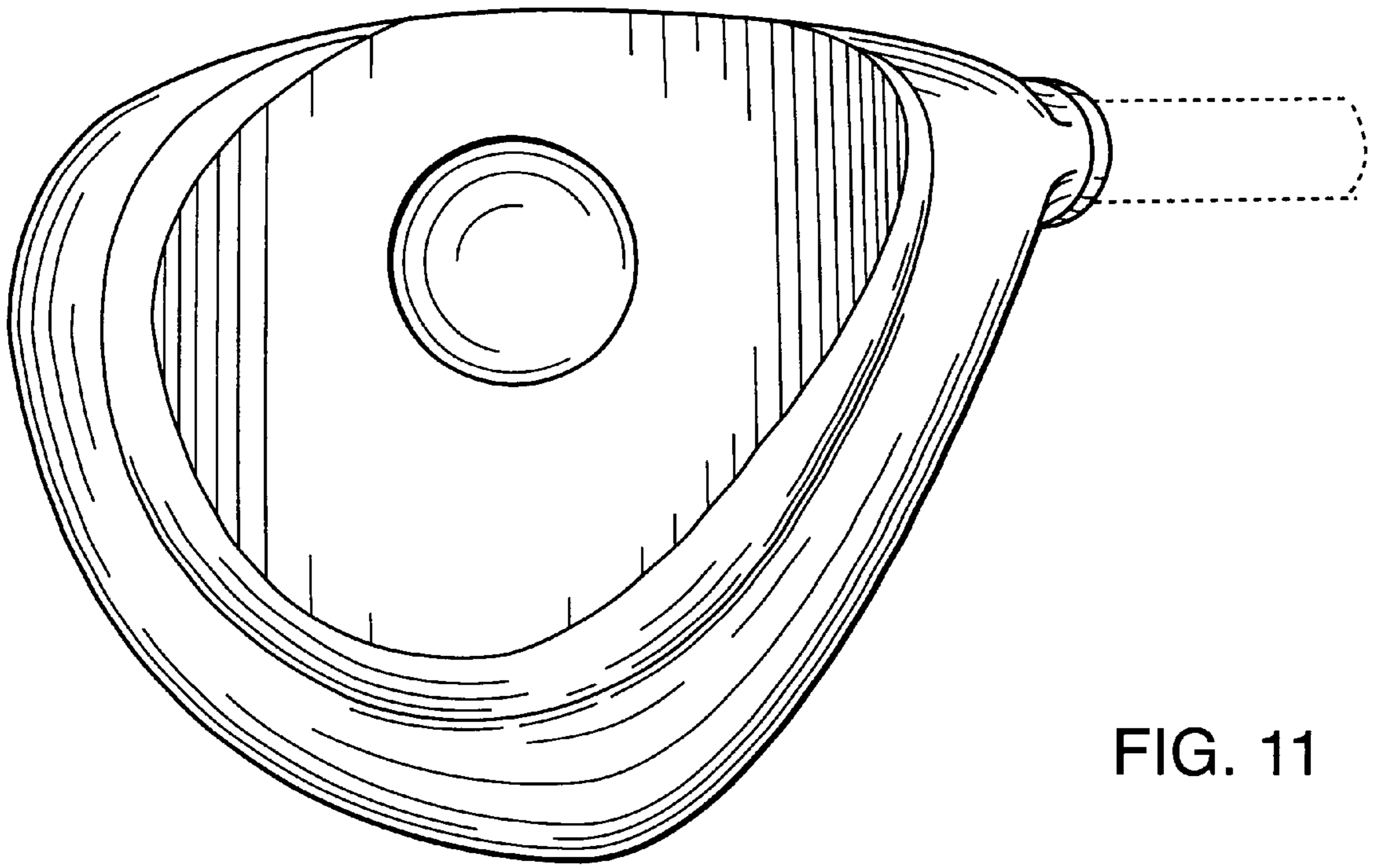


FIG. 11

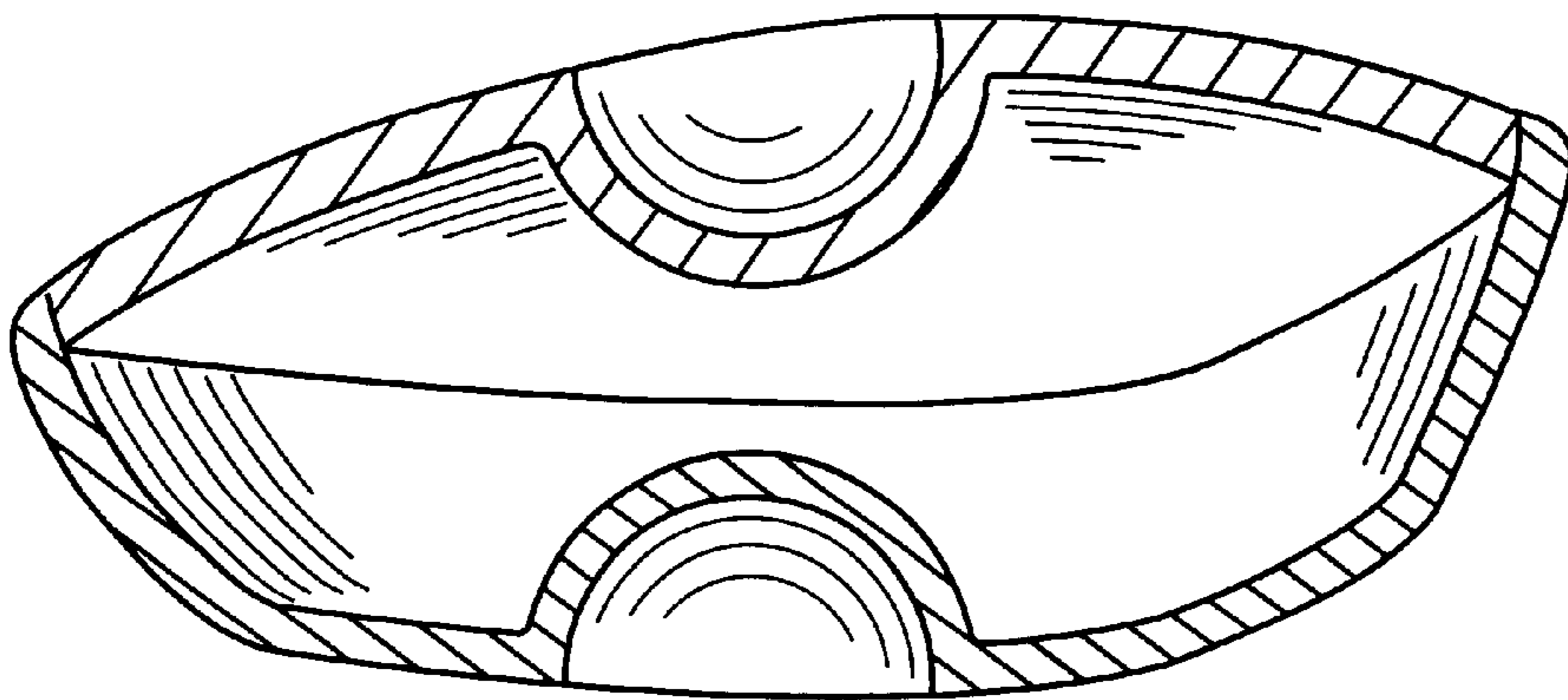


FIG. 12