



US00D486537S

(12) **United States Design Patent**
Lin

(10) **Patent No.:** **US D486,537 S**

(45) **Date of Patent:** **** Feb. 10, 2004**

(54) **MAIN STRUCTURE OF A STEPPING EXERCISE MACHINE**

(76) **Inventor:** **Richard Lin**, No. 2, Chung Hua West St., Central District, Taichung City (TW)

(**) **Term:** **14 Years**

(21) **Appl. No.:** **29/177,734**

(22) **Filed:** **Mar. 17, 2003**

(51) **LOC (7) Cl.** **21-02**

(52) **U.S. Cl.** **D21/694; D21/670; D21/697**

(58) **Field of Search** D21/662, 694, D21/668, 670, 663, 697; 482/51, 52, 53, 57, 70, 71

(56) **References Cited**

U.S. PATENT DOCUMENTS

D405,852 S	*	2/1999	McBride	D21/670
D406,289 S	*	3/1999	Hwang	D21/668
D438,264 S	*	2/2001	Hsiung	D21/670
D438,580 S	*	3/2001	Shaw	D21/697
D438,581 S	*	3/2001	Shaw	D21/697
D438,919 S	*	3/2001	Shaw	D21/697
D446,266 S	*	8/2001	Lin	D21/697
D450,100 S	*	11/2001	Hsu	D21/697

D452,285 S	*	12/2001	Easley	D21/697
D454,605 S	*	3/2002	Lee	D21/697
D458,977 S	*	6/2002	Tobias et al.	D21/668
D459,418 S	*	6/2002	Hsiung	D21/668

* cited by examiner

Primary Examiner—Philip S. Hyder
(74) *Attorney, Agent, or Firm*—Harrison & Egbert

(57) **CLAIM**

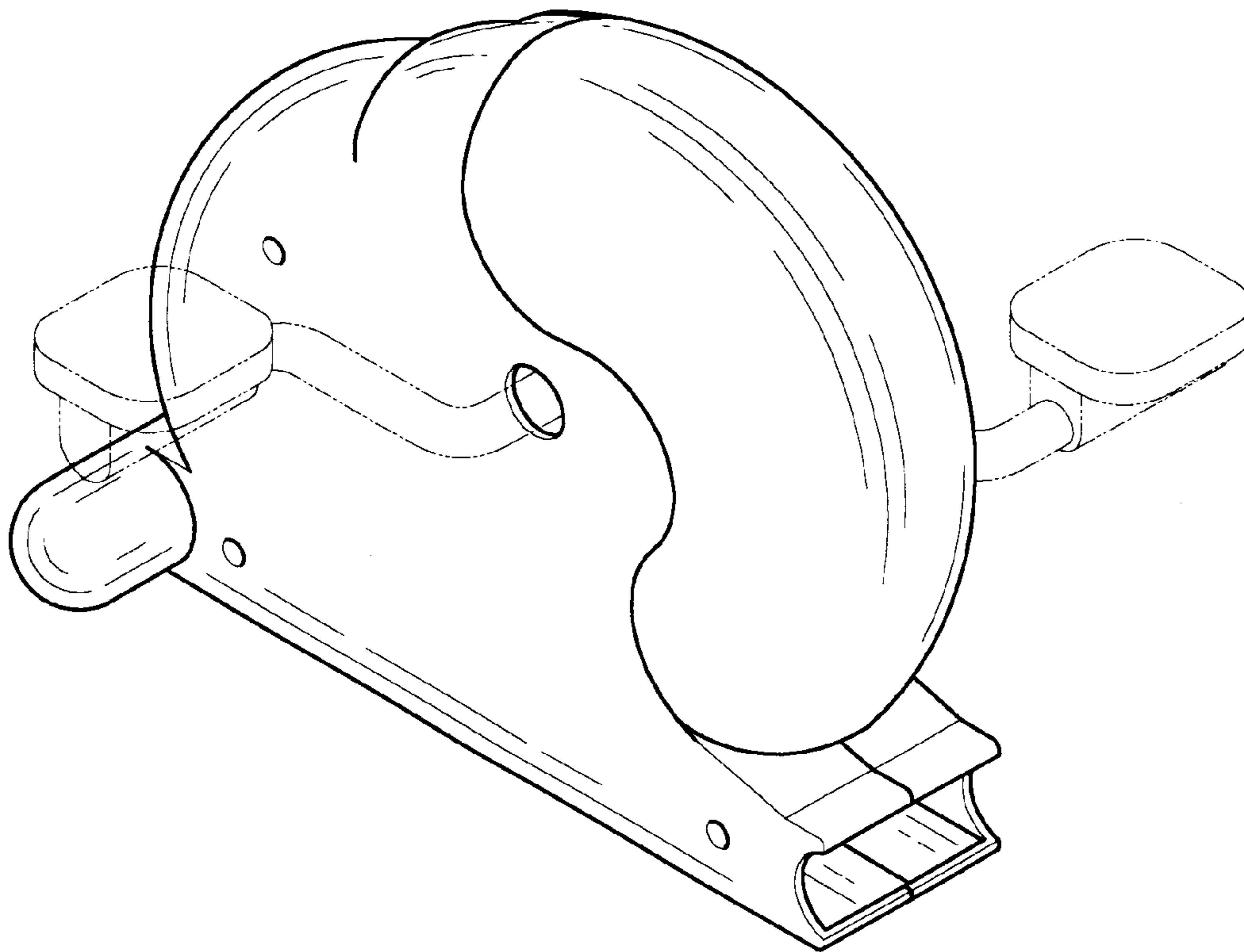
I claim the ornamental design for a main structure of a stepping exercise machine, as shown and described.

DESCRIPTION

FIG. 1 is an upper perspective view of the main structure of a stepping exercise machine showing my design.
FIG. 2 is a side view thereof;
FIG. 3 is an opposite side view thereof;
FIG. 4 is a front view thereof;
FIG. 5 is a back view thereof;
FIG. 6 is a top view thereof;
FIG. 7 is a bottom view thereof; and,
FIG. 8 is an upper perspective view thereof, showing a pedal attachment.

The broken line drawings are intended for illustrative purposes and form no part of the claimed design.

1 Claim, 5 Drawing Sheets



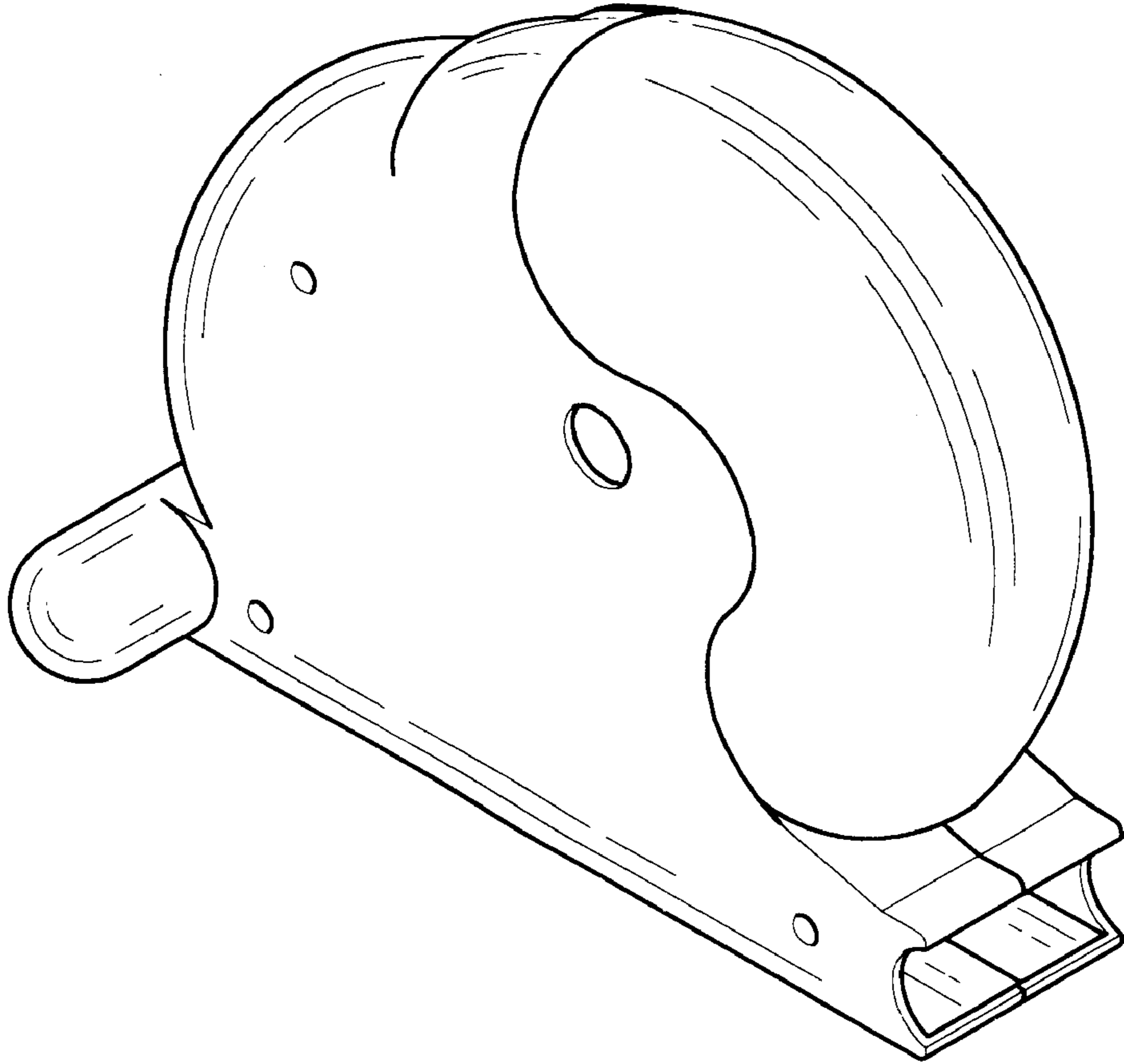


FIG.1

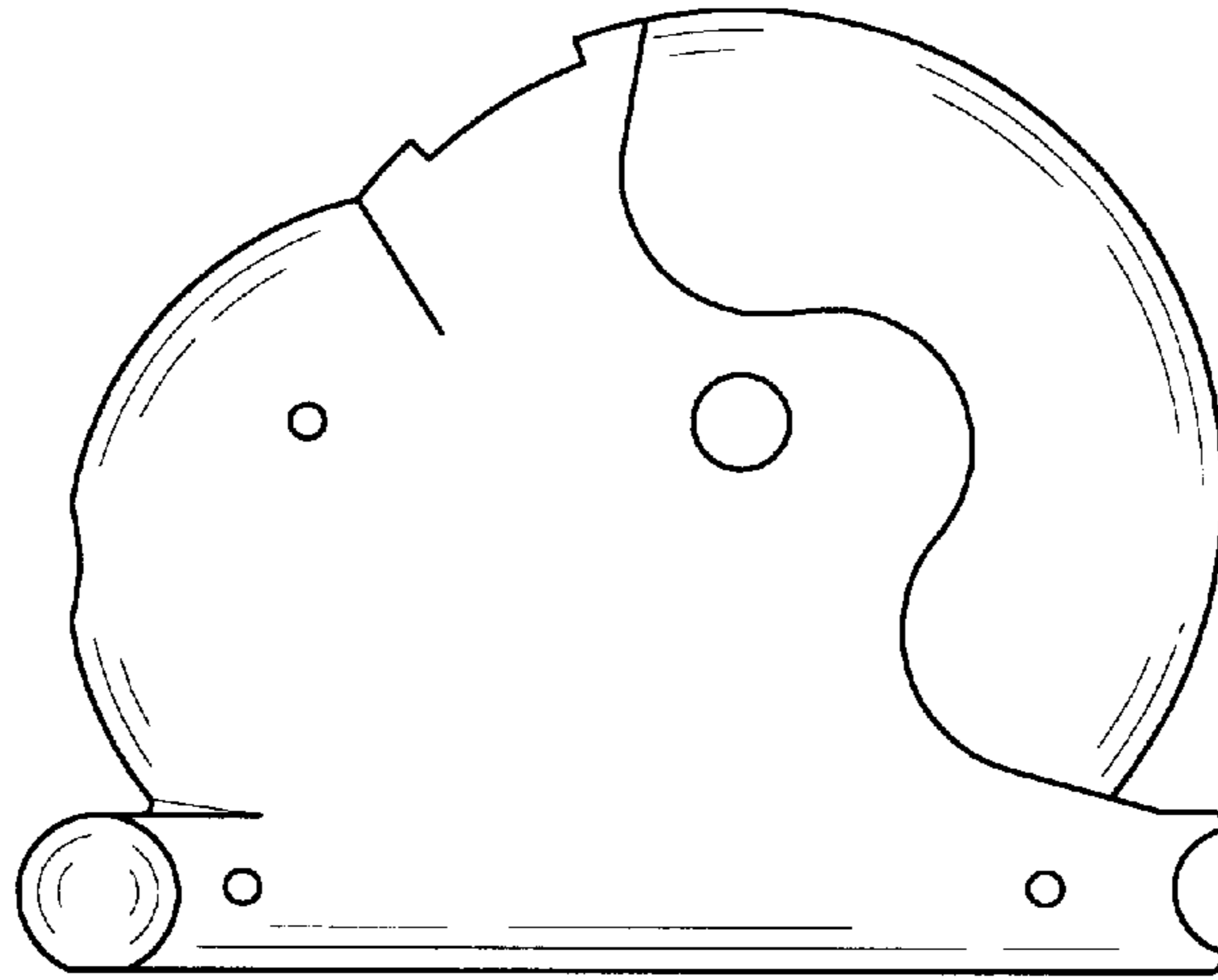


FIG. 2

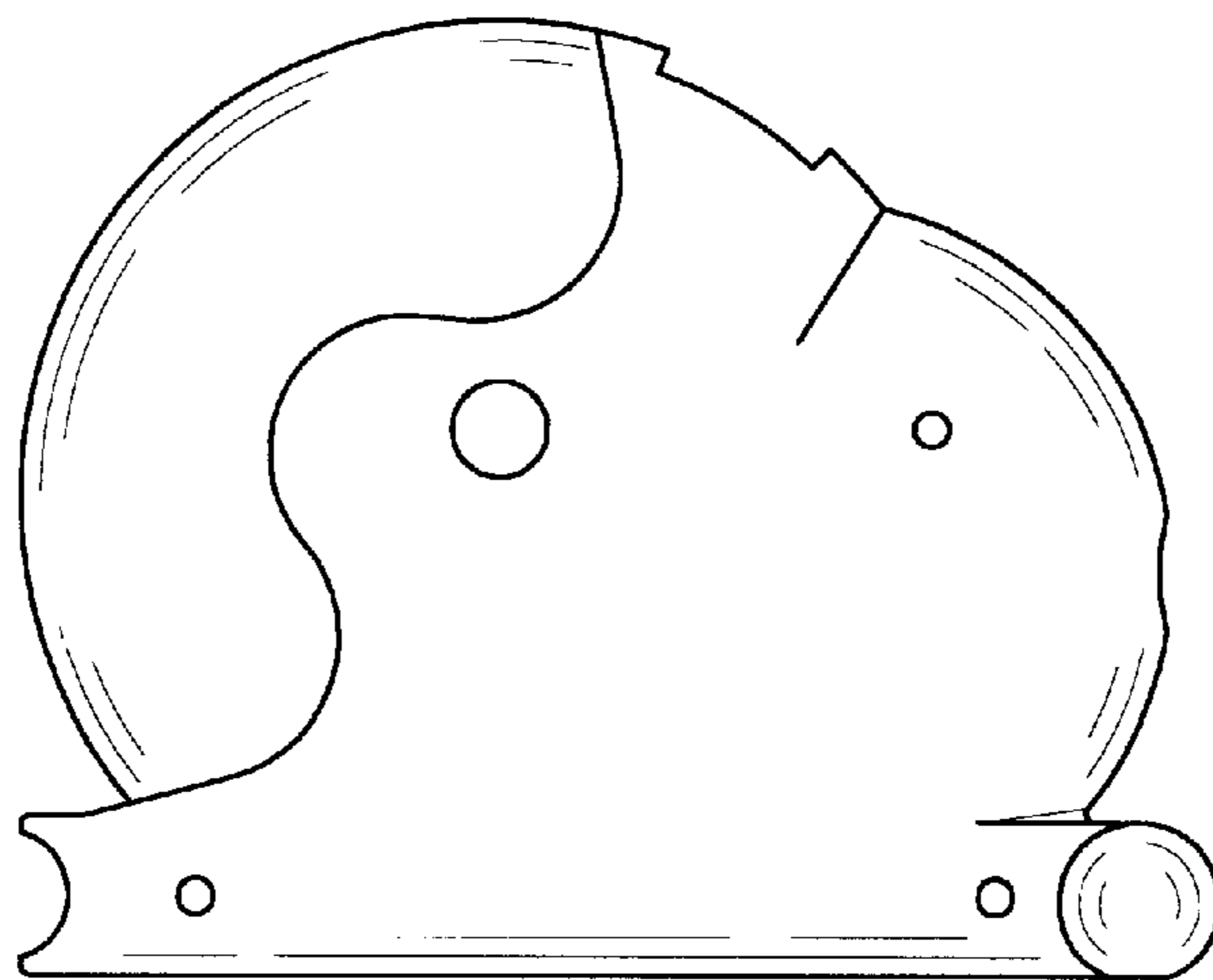


FIG. 3

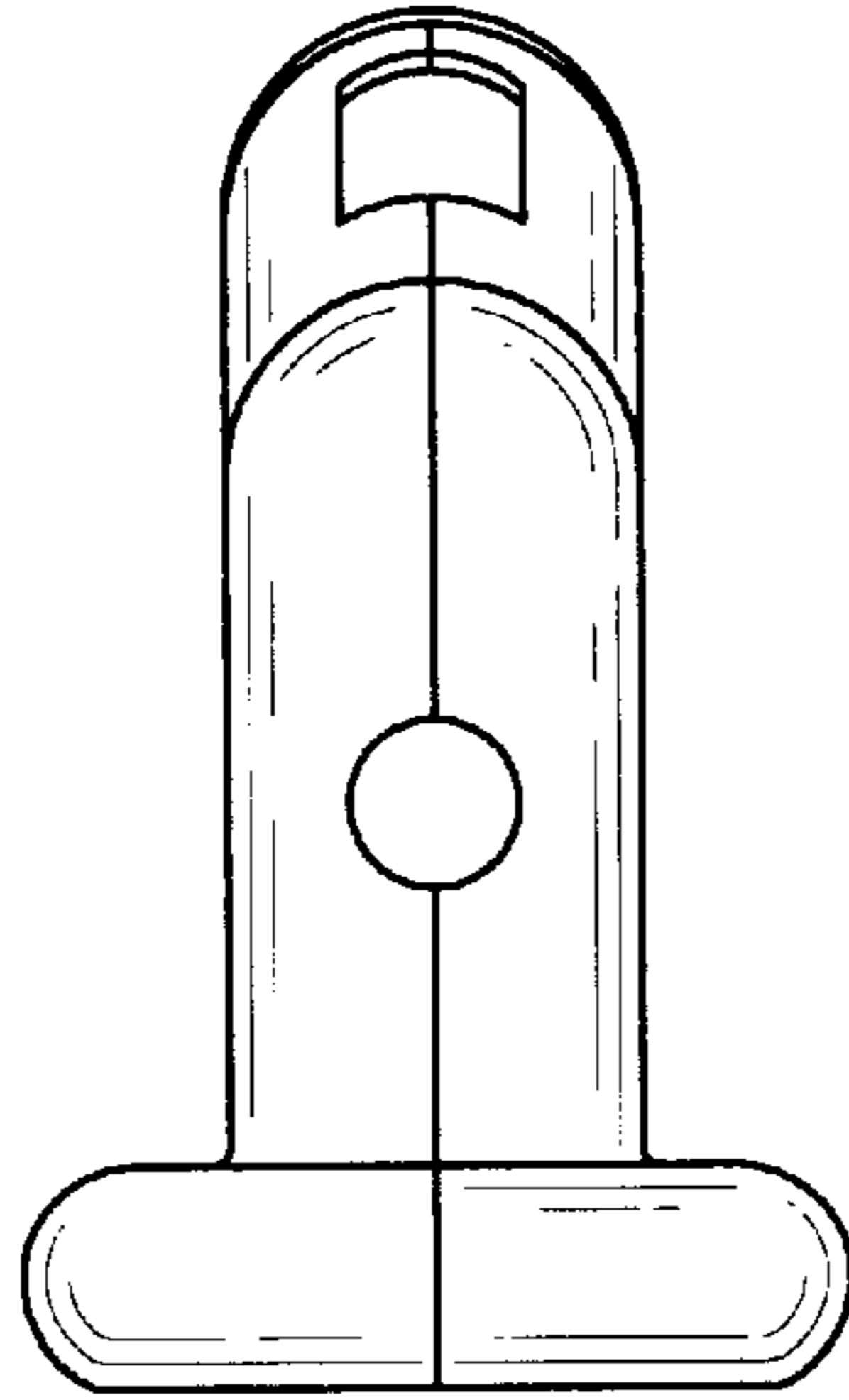


FIG. 4

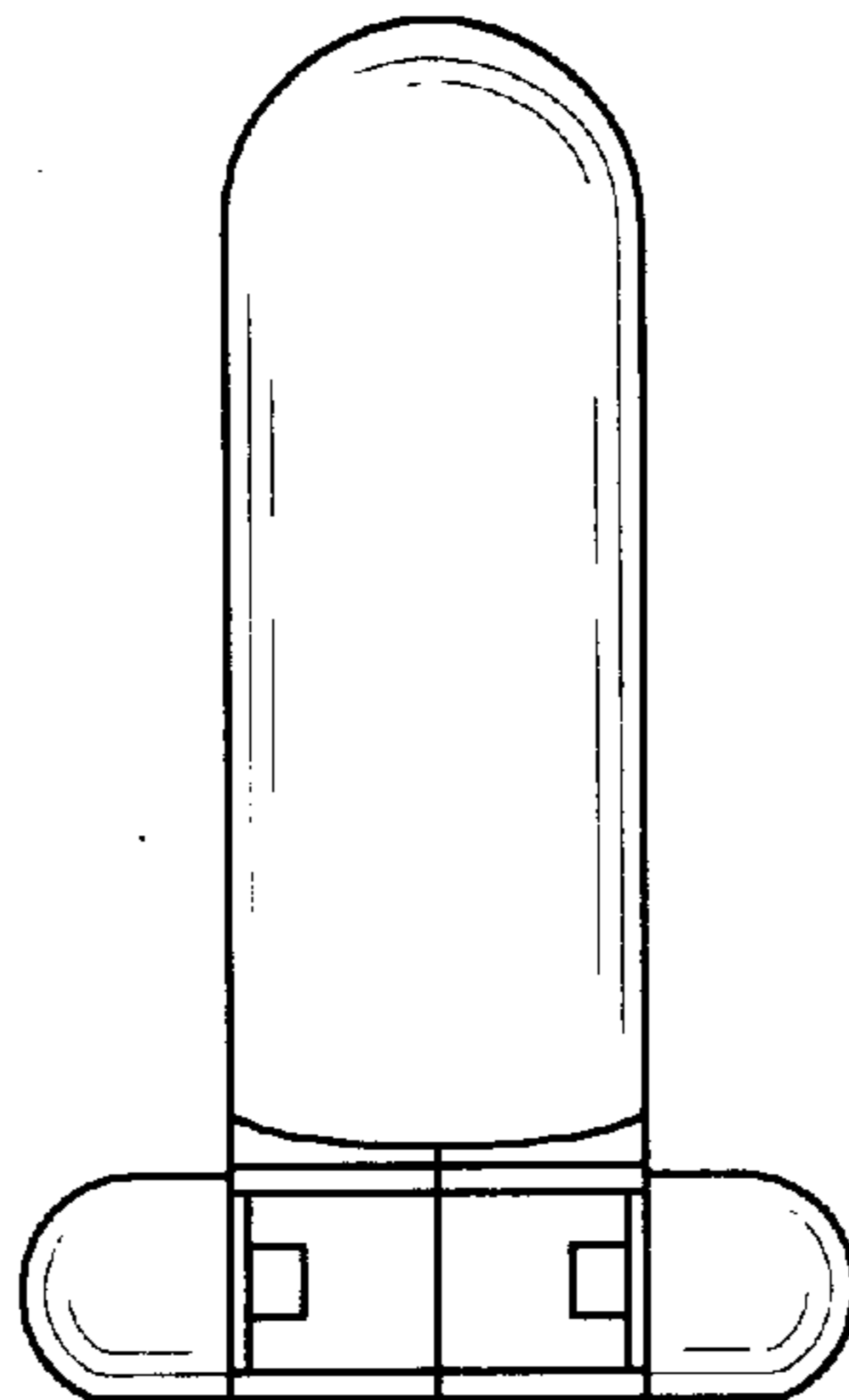


FIG. 5

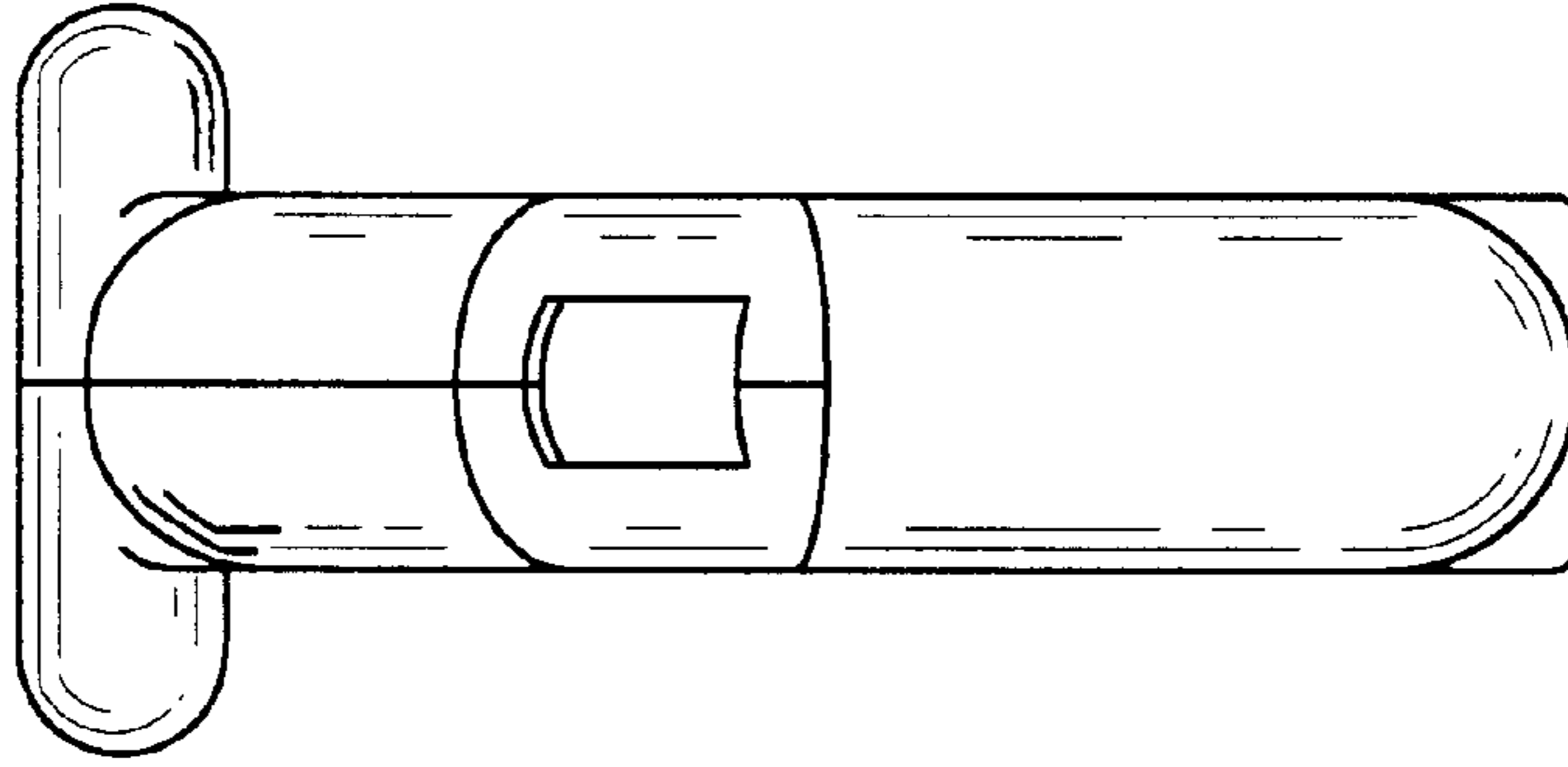


FIG. 6

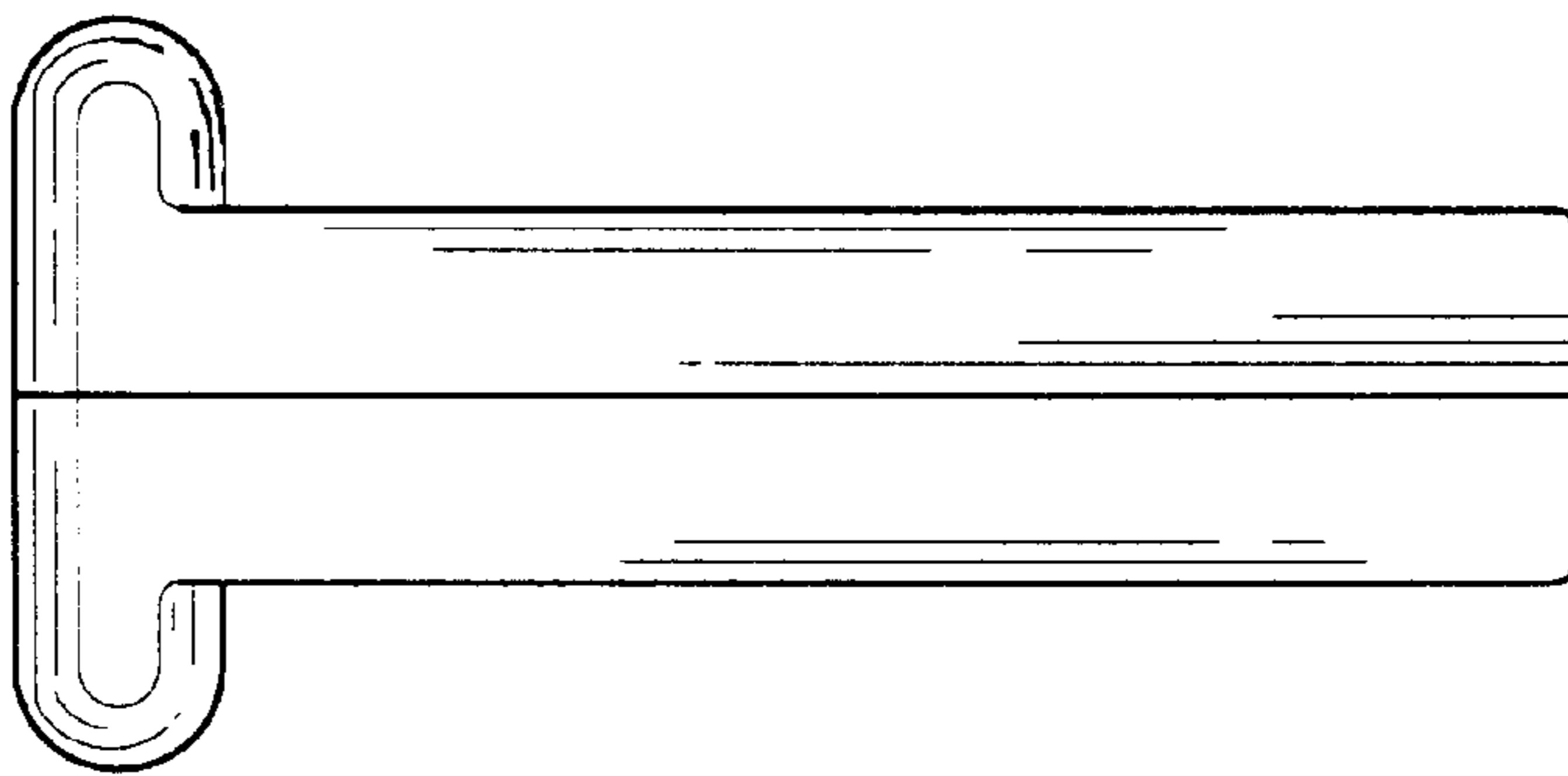


FIG. 7

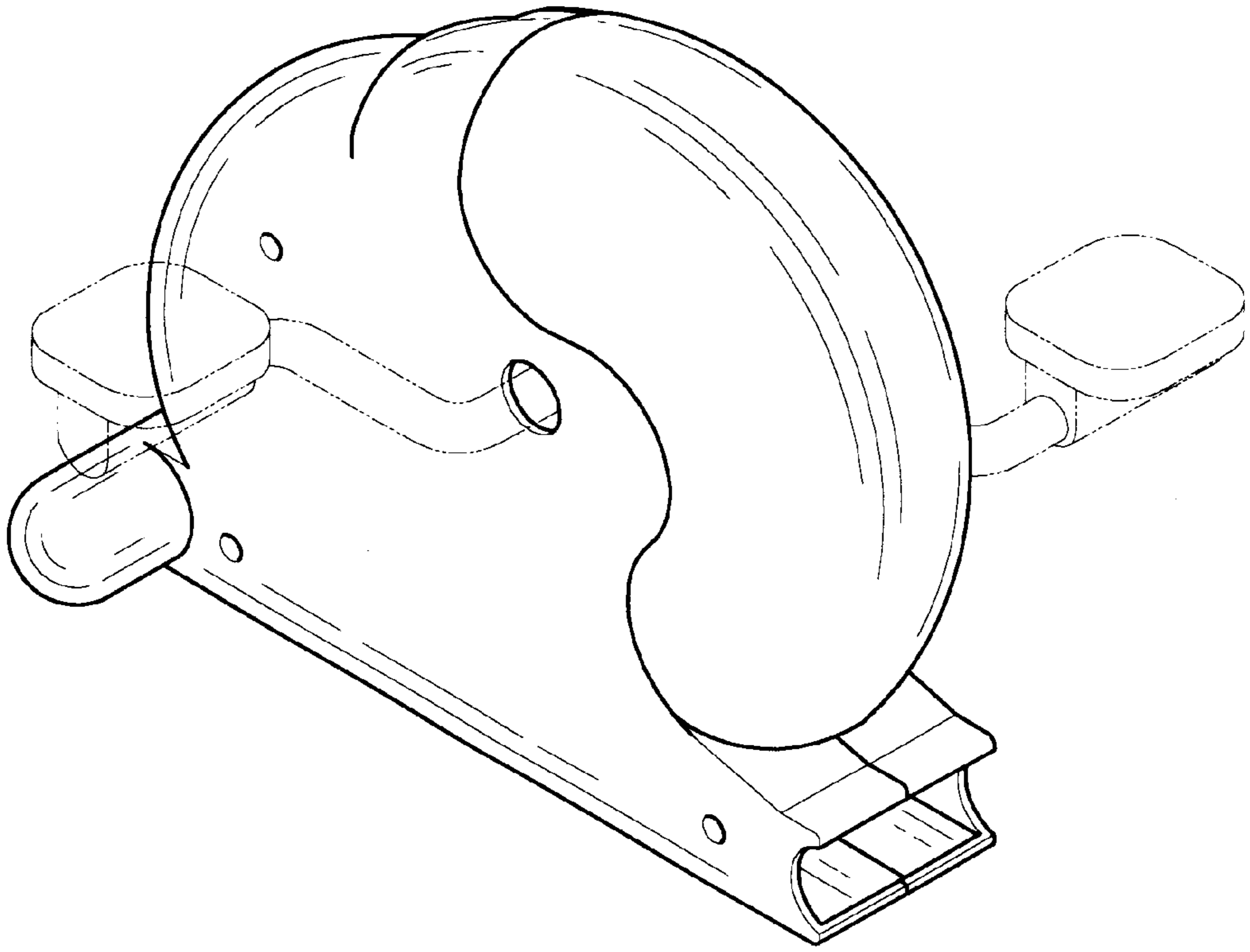


FIG.8