



US00D486536S

(12) **United States Design Patent**
Patti

(10) **Patent No.:** **US D486,536 S**

(45) **Date of Patent:** **** Feb. 10, 2004**

(54) **WEIGHT LIFTING DEVICE**

(76) Inventor: **Philip V. Patti**, 3575 Ridge Rd.,
Templeton, CA (US) 93465

(**) Term: **14 Years**

(21) Appl. No.: **29/176,066**

(22) Filed: **Feb. 13, 2003**

Related U.S. Application Data

(62) Division of application No. 09/522,860, filed on Jan. 19,
2000, now Pat. No. 6,602,169, which is a continuation of
application No. 60/145,526, filed on May 17, 1999.

(51) **LOC (7) Cl.** **21-02**

(52) **U.S. Cl.** **D21/681; D21/679**

(58) **Field of Search** D21/662, 679,
D21/680, 681, 682, 683; 482/106, 107,
108; 411/222; D8/397

(56) **References Cited**

U.S. PATENT DOCUMENTS

4,738,446	A	*	4/1988	Miles	482/107
D327,517	S	*	6/1992	Bowman	D21/681
5,154,560	A		10/1992	Copito	411/266
5,295,934	A	*	3/1994	Collins et al.	482/107
5,346,499	A	*	9/1994	Garenfeld et al.	606/133
5,484,367	A	*	1/1996	Martinez	482/107
5,628,716	A	*	5/1997	Brice	482/106
D398,676	S	*	9/1998	Marney	D21/681
6,007,268	A		12/1999	Whittington et al.	403/328
6,059,700	A	*	5/2000	Ellenburg	482/107

OTHER PUBLICATIONS

“Security Locknuts—Designed to hold your business
together.” Product Brochure, Security Locknut Inc., Chi-
cago, Illinois 60656.

* cited by examiner

Primary Examiner—Philip S. Hyder

(74) *Attorney, Agent, or Firm*—Coudert Brothers LLP

(57) **CLAIM**

I claim the ornamental design for a weight lifting device, as
shown and described.

DESCRIPTION

FIG. 1 is an upper right perspective view of a first embodi-
ment of weight lifting device showing my new design; the
fixed weights are depicted in dashed lines as they are an
unclaimed portion of my design;

FIG. 2 is an upper right perspective view of the first
embodiment of the weight lifting device shown in FIG. 1;
the dashed lines depicting the weights are removed on the
right side of the handle or bar;

FIG. 3 is an upper right perspective view of the first
embodiment of the weight lifting device shown in FIG. 1
with the nuts and the dashed lines depicting the weights
removed from the handle or bar;

FIG. 4 is an end view of the first embodiment of the weight
lifting device shown in FIG. 1 with the weights depicted in
dashed lines as an unclaimed portion of my design; both end
views are identical;

FIG. 5 is an enlarged end view of the first embodiment of the
weight lifting device shown in FIG. 4; the dashed lines
depicting the weights are removed;

FIG. 6 is a front elevational view of the first embodiment of
the weight lifting device shown in FIG. 4;

FIG. 7 is a top plan view of the first embodiment of the
weight lifting device shown in FIG. 3; the bottom plan view
is identical;

FIG. 8 is an end view of a second embodiment of weight
lifting device showing my new design with the weights
depicted in dashed lines as an unclaimed portion of my
design; both end views are identical;

FIG. 9 is an enlarged end view of the second embodiment of
the weight lifting device shown in FIG. 8; the dashed lines
depicting the weights are removed;

FIG. 10 is a front elevational view of the second embodi-
ment of the weight lifting device shown in FIG. 8;

FIG. 11 is a top plan view of the second embodiment of the
weight lifting device shown in FIG. 8 with the nuts and the
dashed lines depicting the weights removed from the handle
or bar; the bottom plan view is identical;

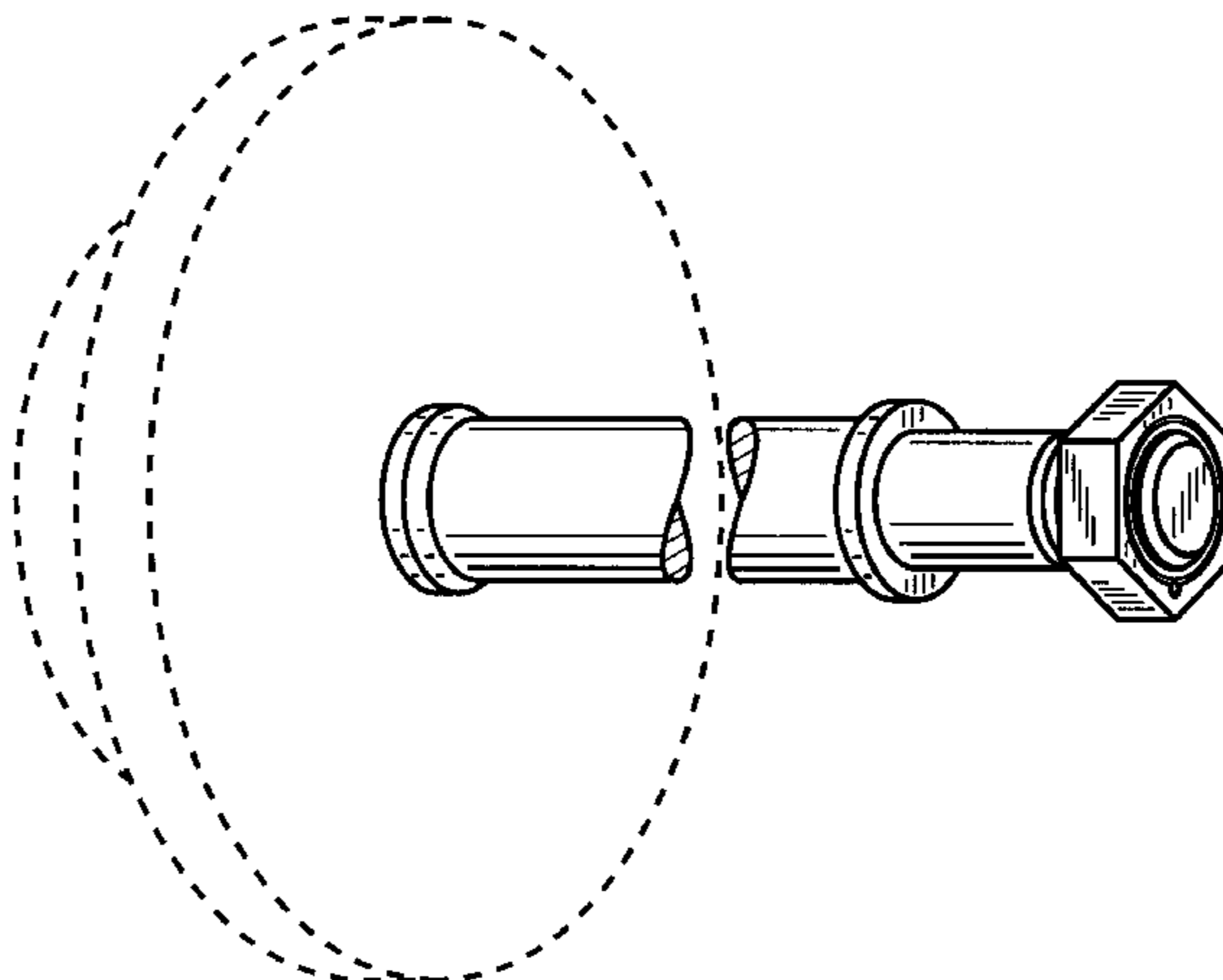


FIG. 12 is an end view of a third embodiment of weight lifting device showing my new design with the weights depicted in dashed lines as an unclaimed portion of my design; both end views are identical;

FIG. 13 is an enlarged end view of the third embodiment of the weight lifting device shown in FIG. 12; the dashed lines depicting the weights are removed;

FIG. 14 is a front elevational view of the third embodiment of the weight lifting device shown in FIG. 12; and, FIG. 15 is a top plan view of the third embodiment of the weight lifting device shown in FIG. 12 with the nuts and the dashed lines depicting the weights removed from the handle or bar; the bottom plan view is identical.

1 Claim, 4 Drawing Sheets

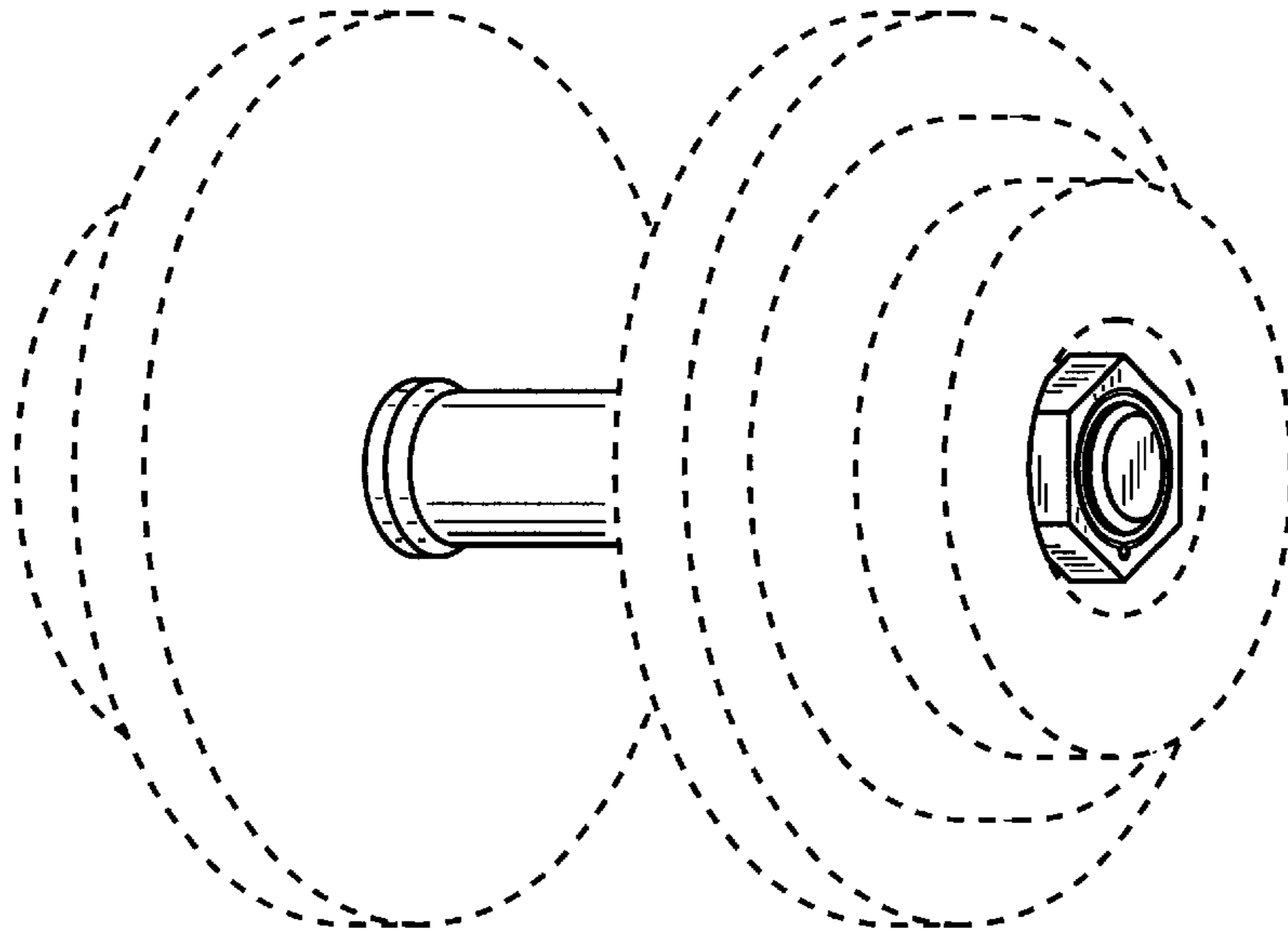


FIG._1

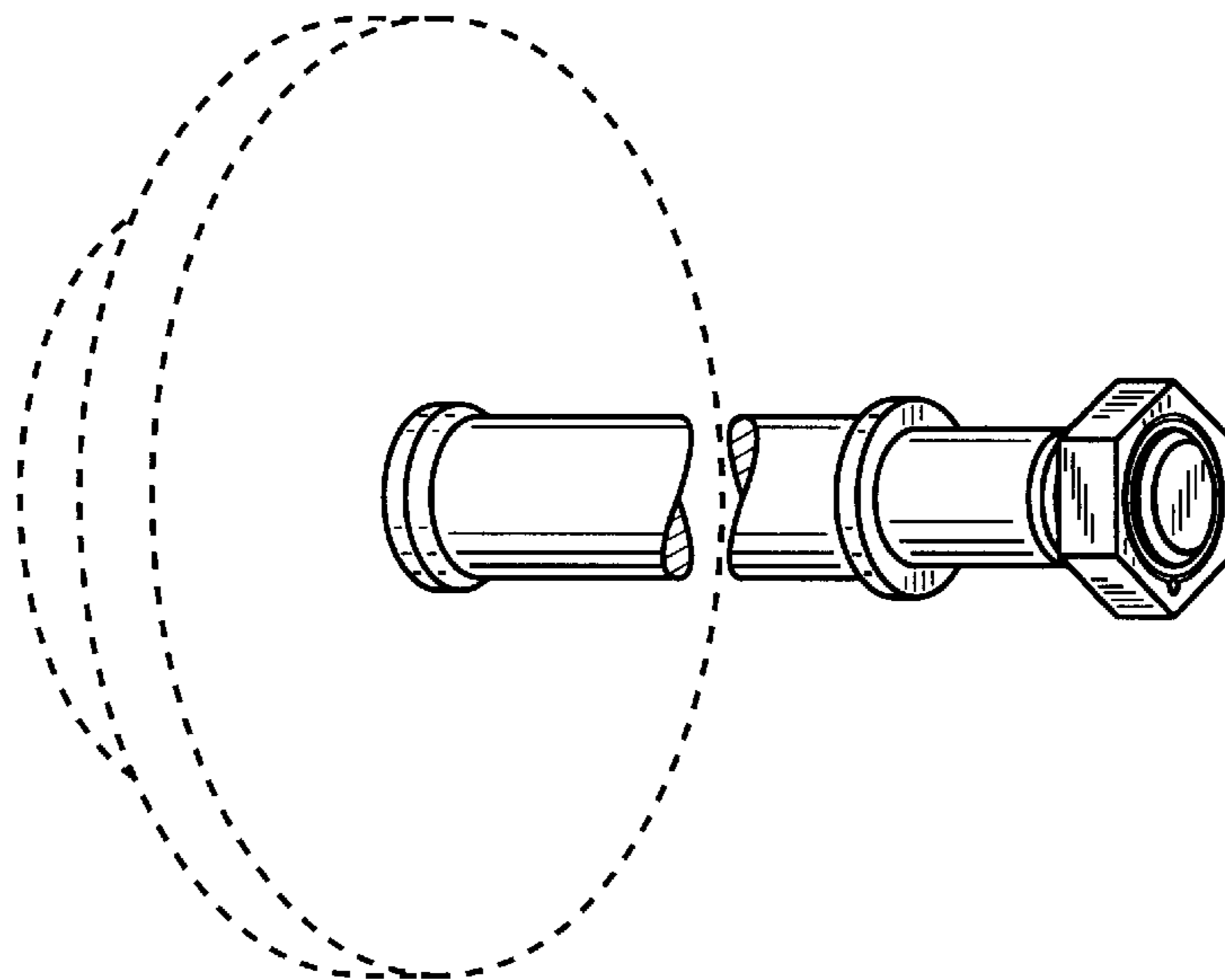


FIG._2

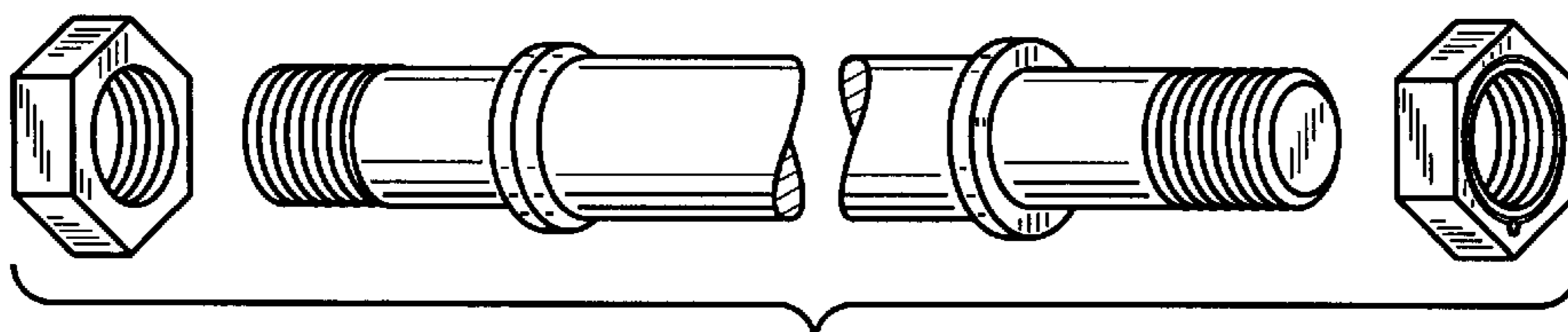


FIG._3

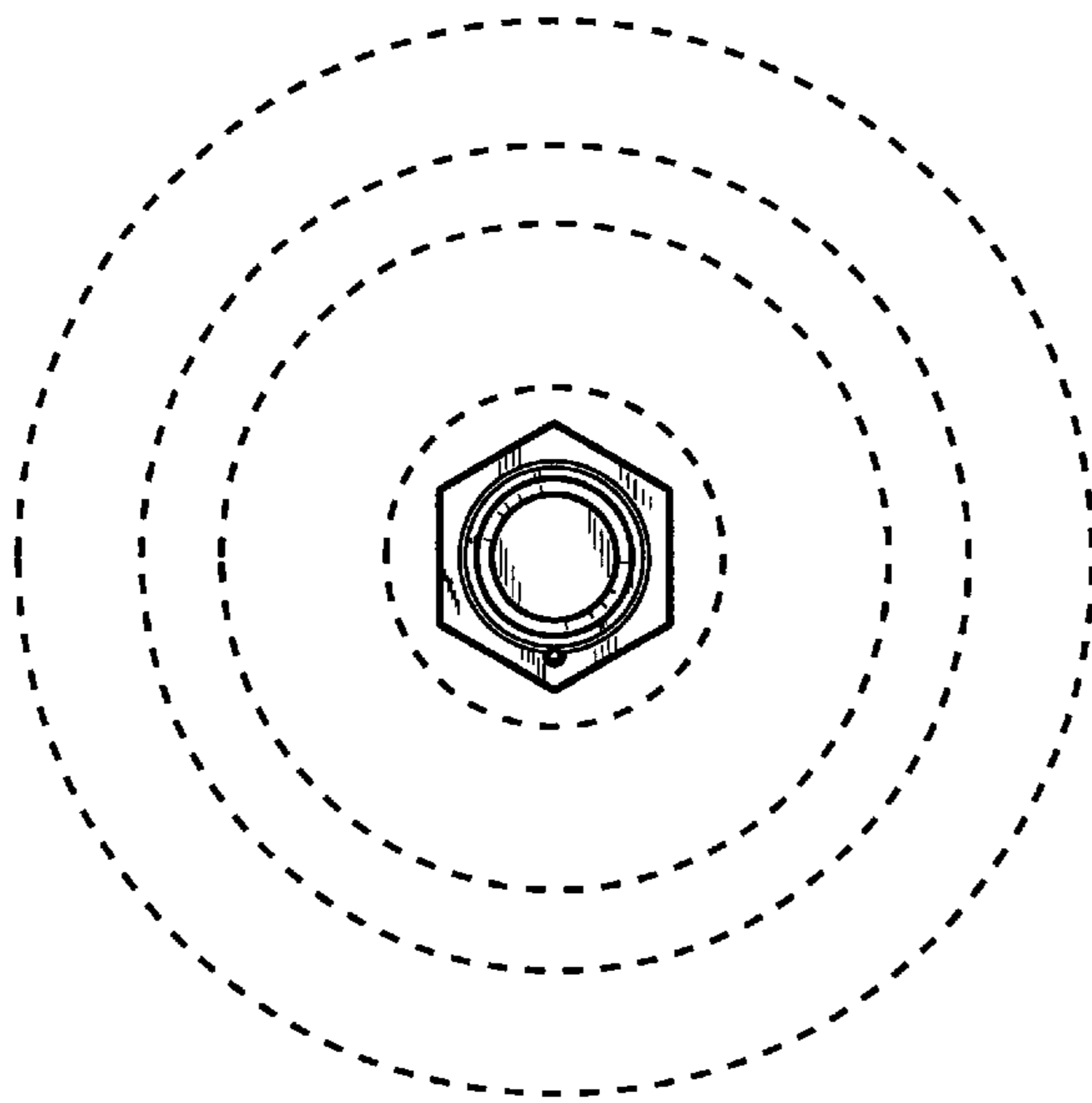


FIG._4

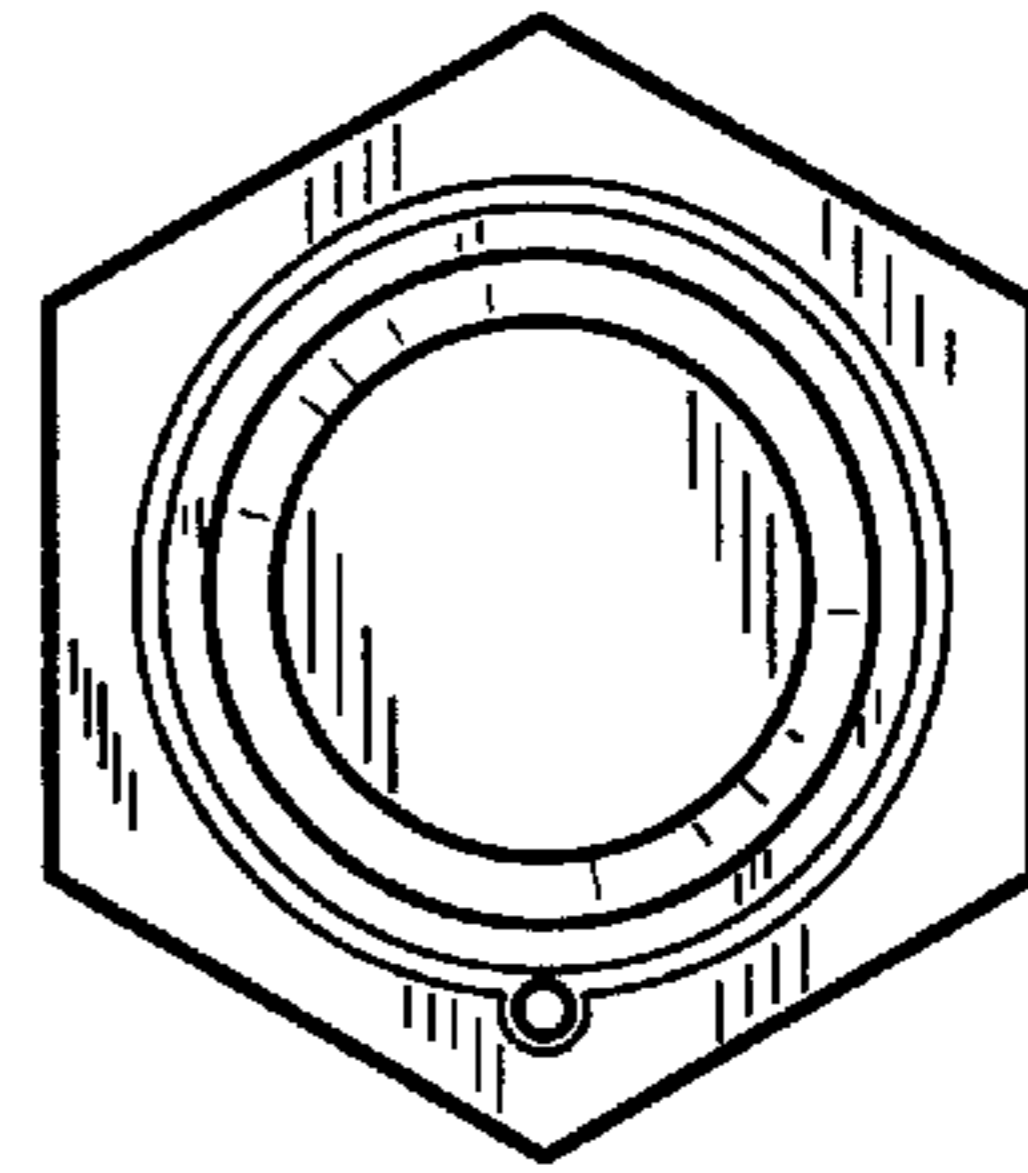


FIG._5

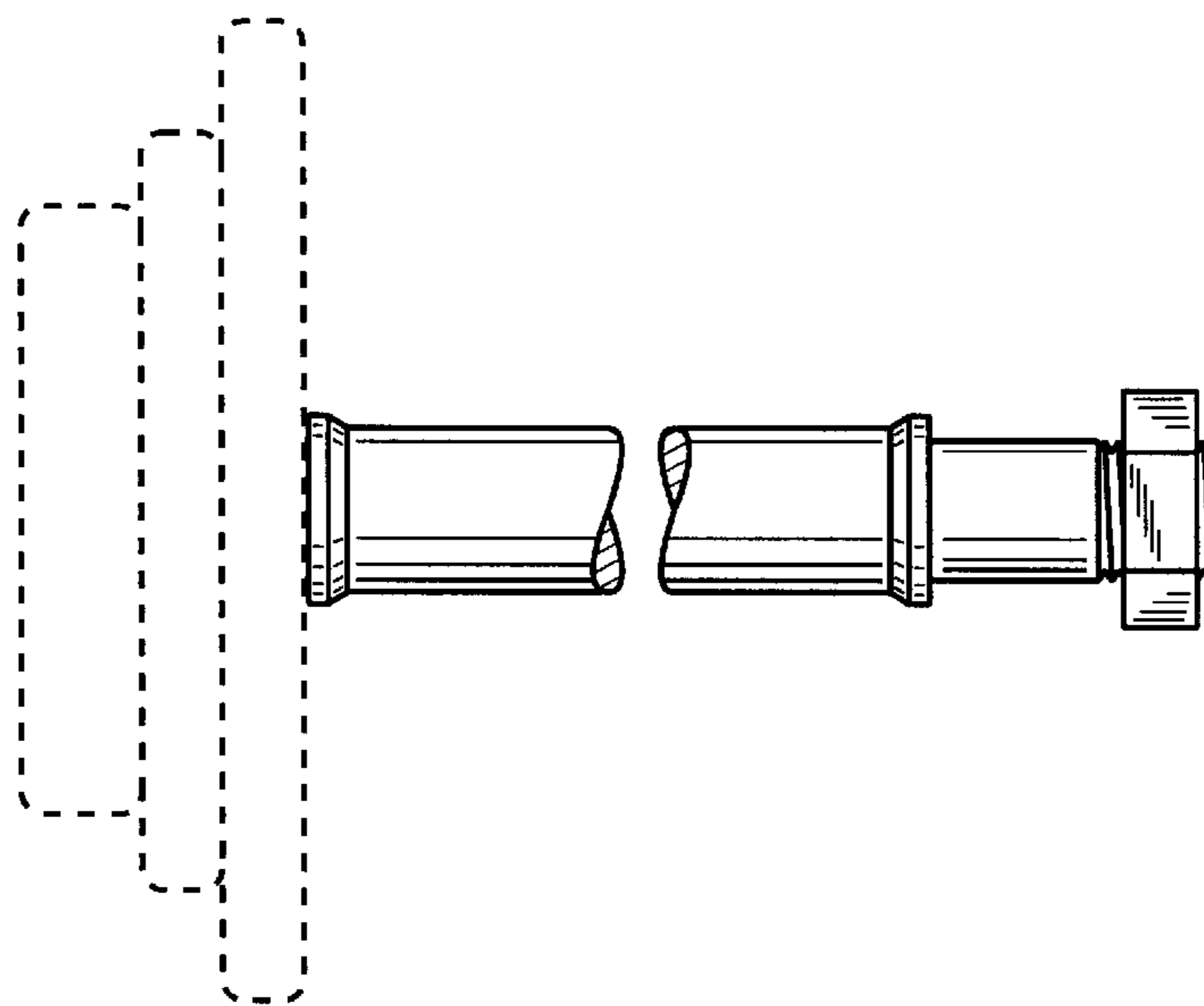


FIG._6

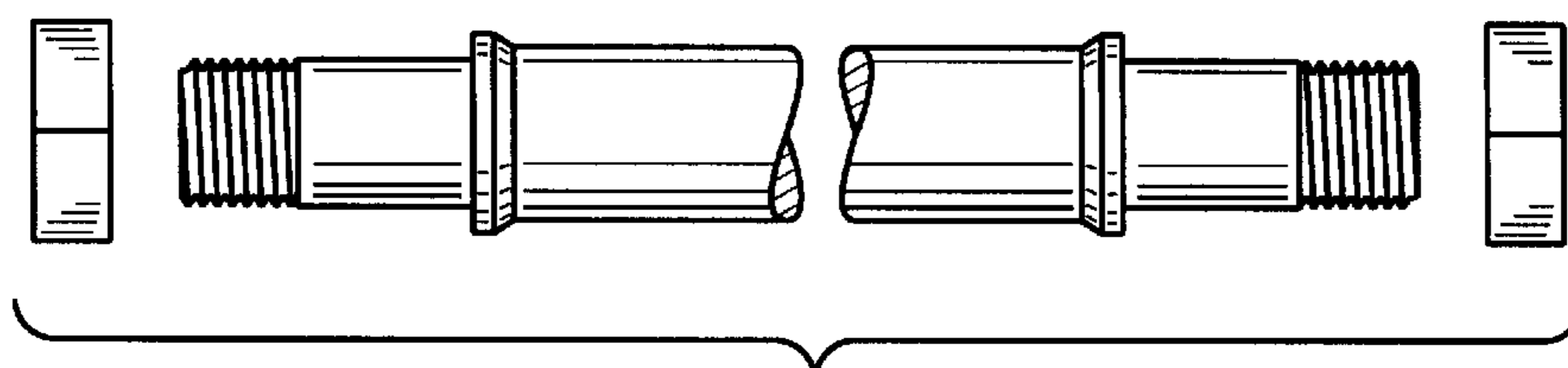


FIG._7

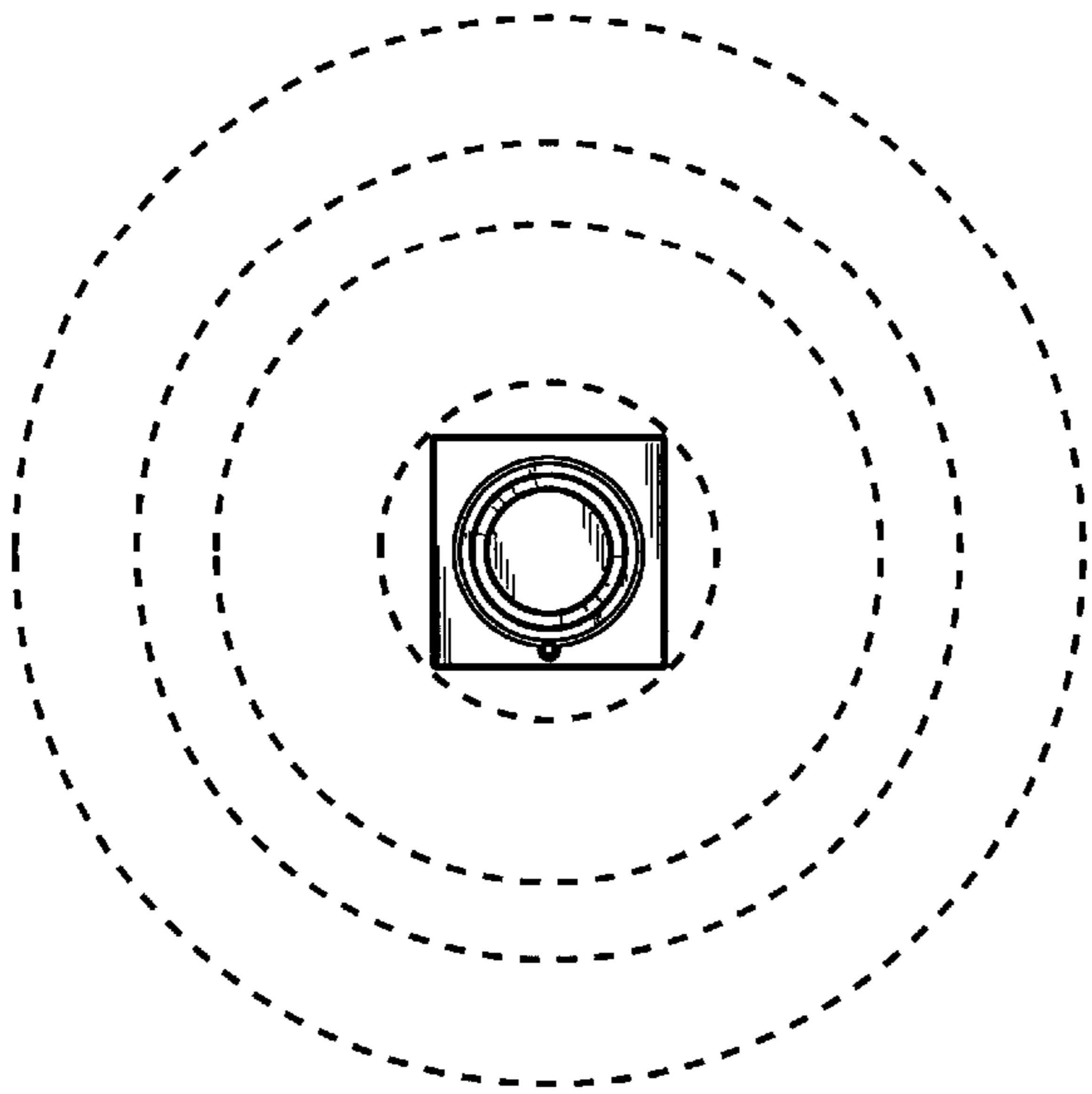


FIG._8

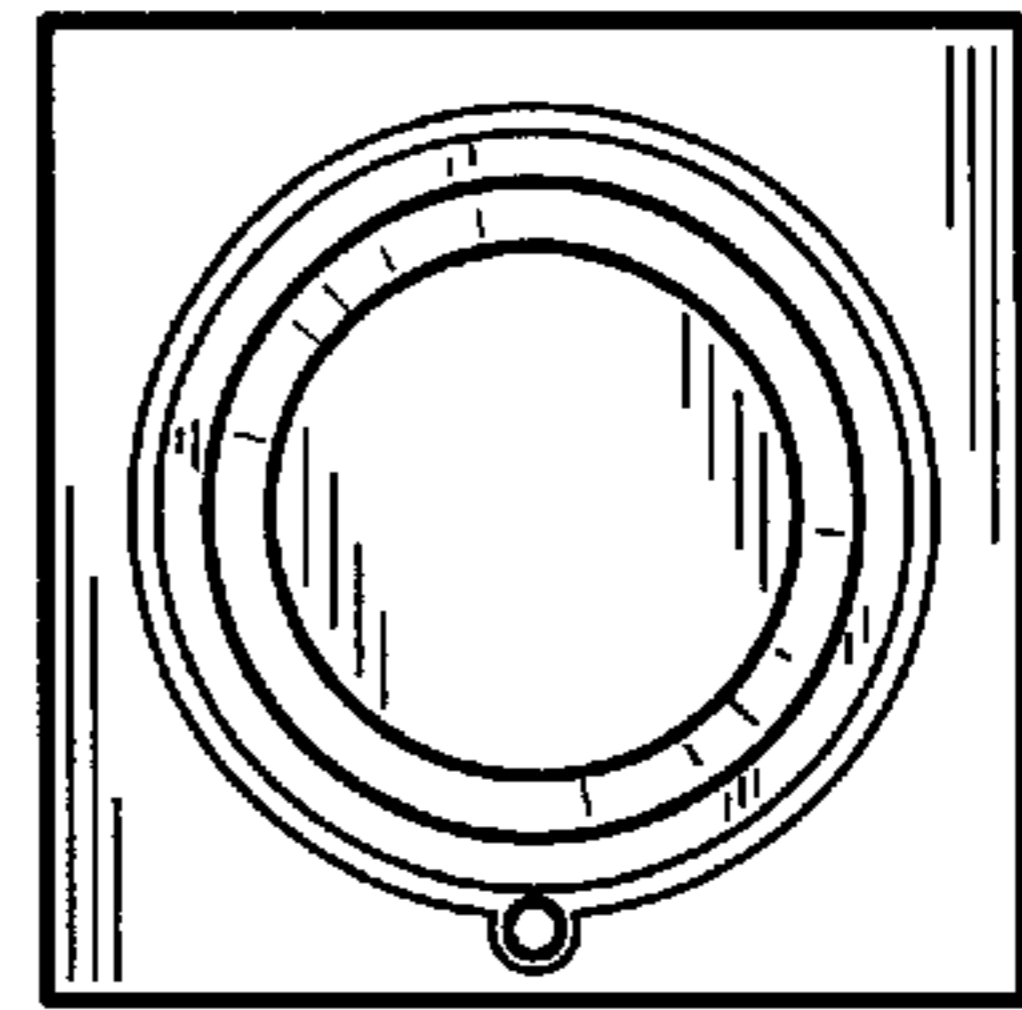


FIG._9

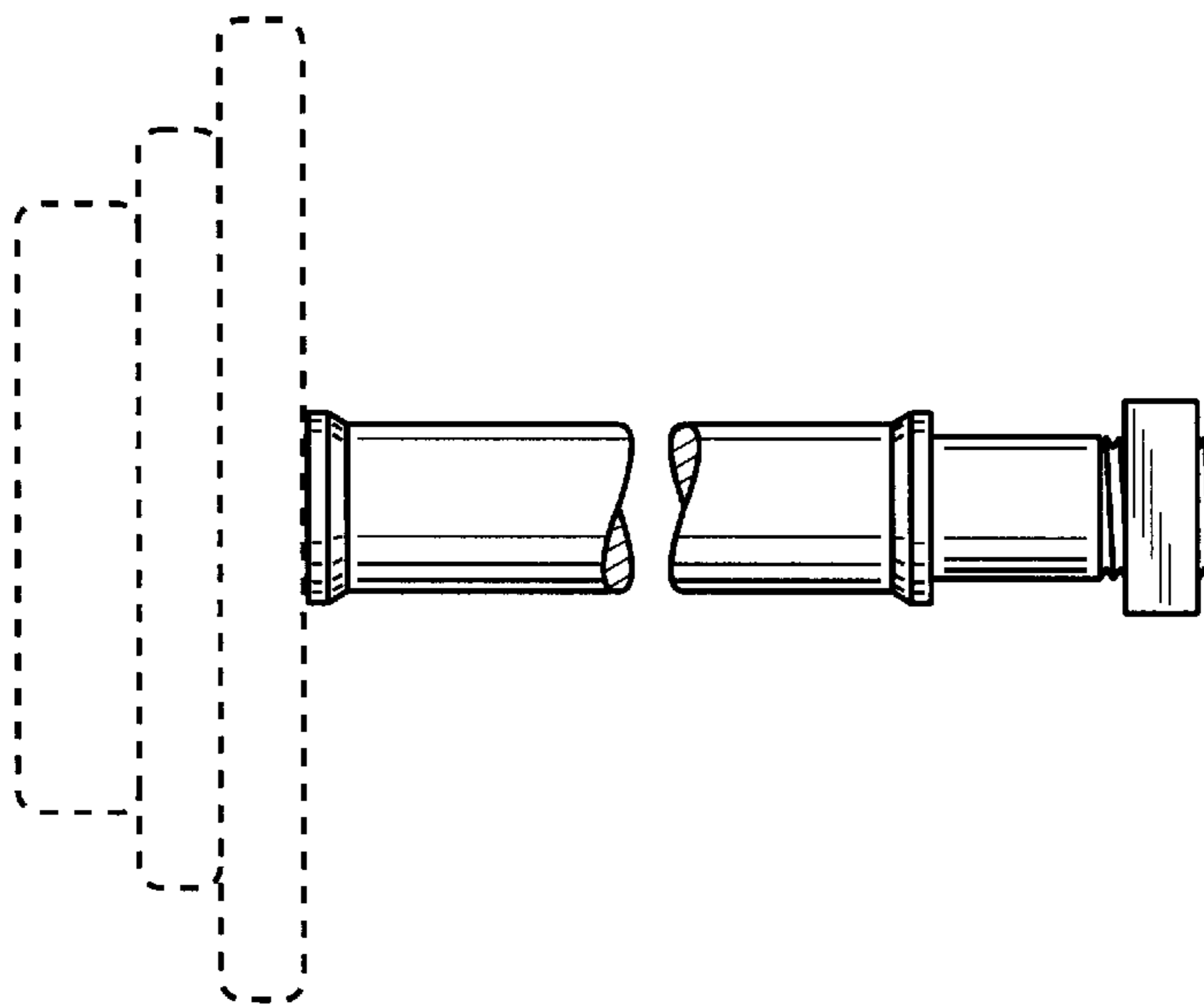


FIG._10

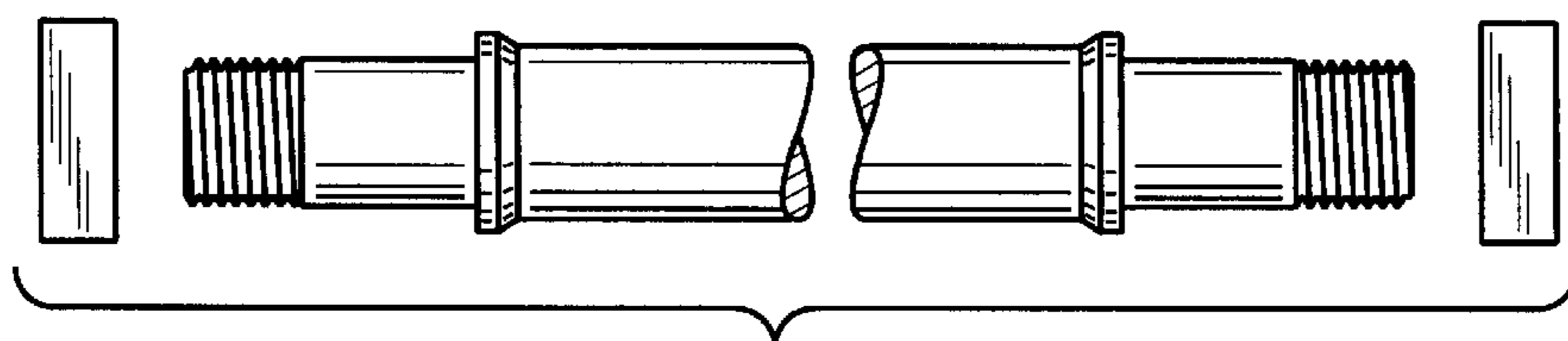


FIG._11

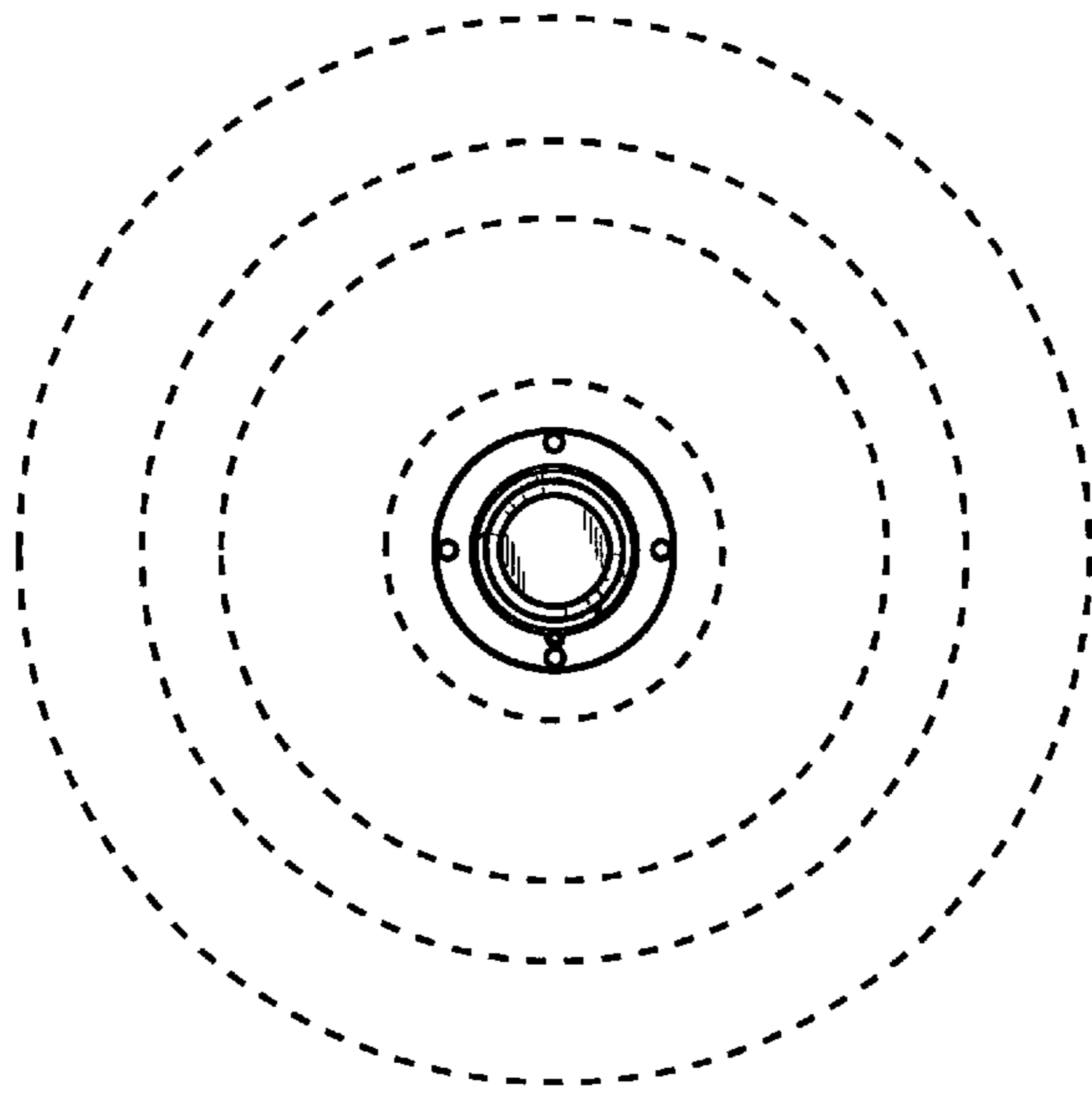


FIG._12

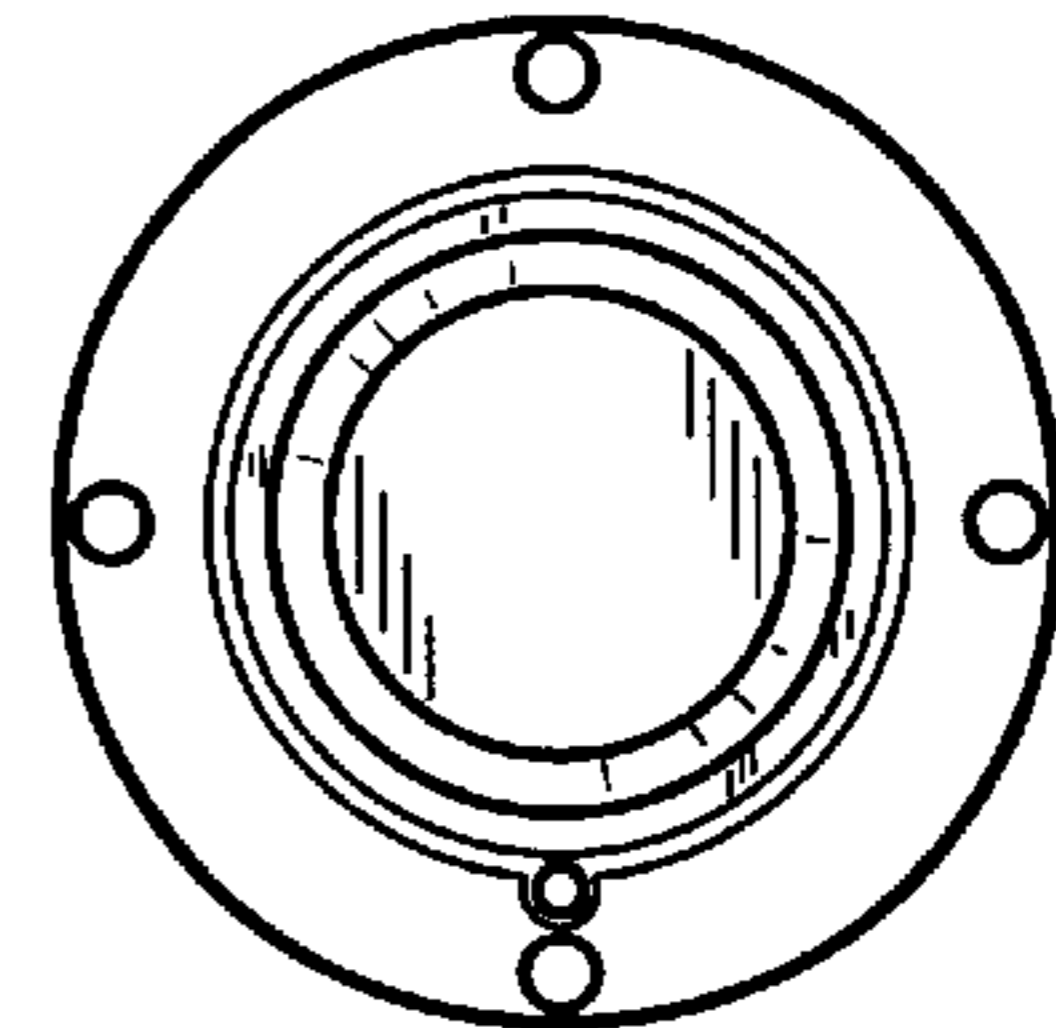


FIG._13

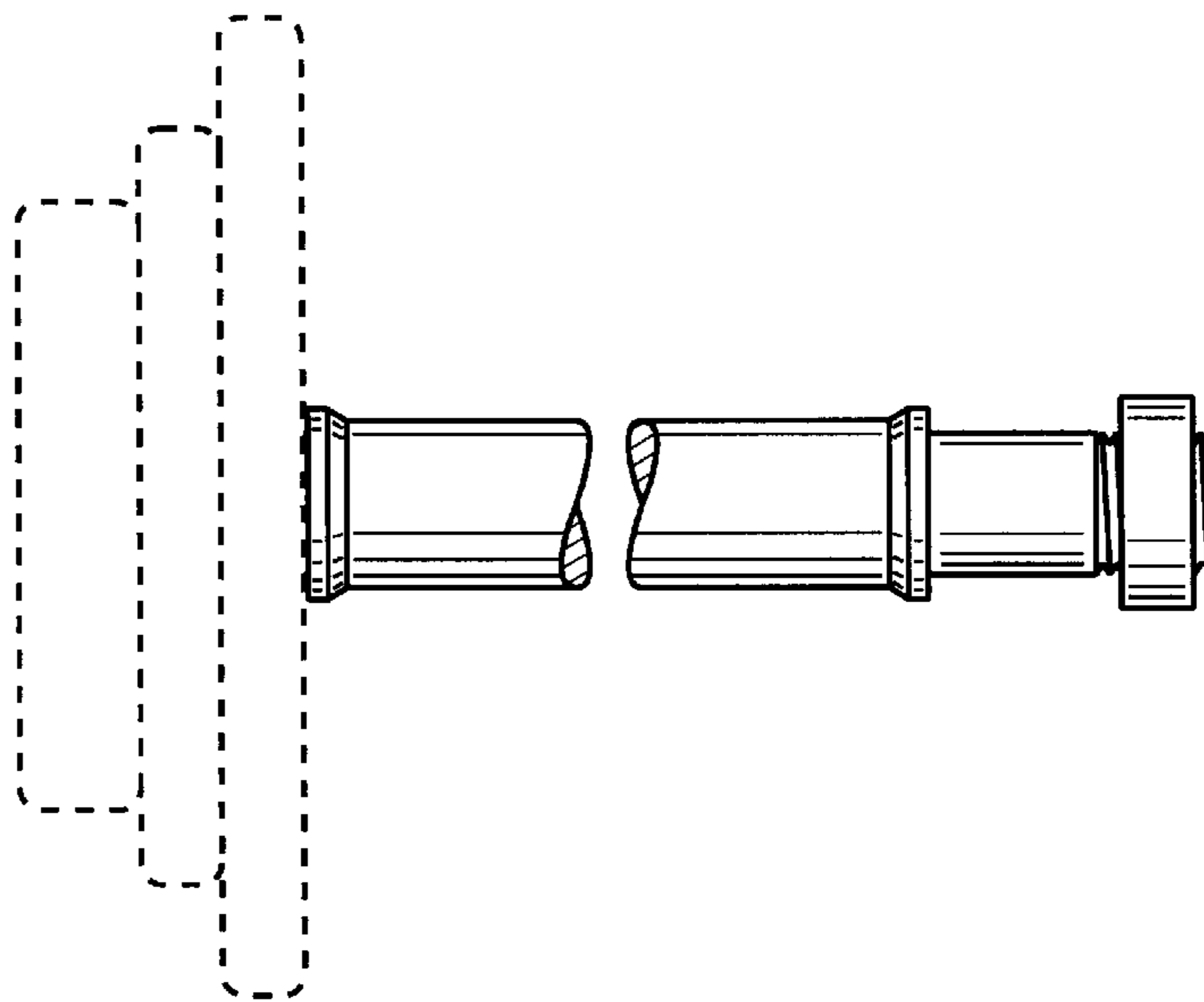


FIG._14

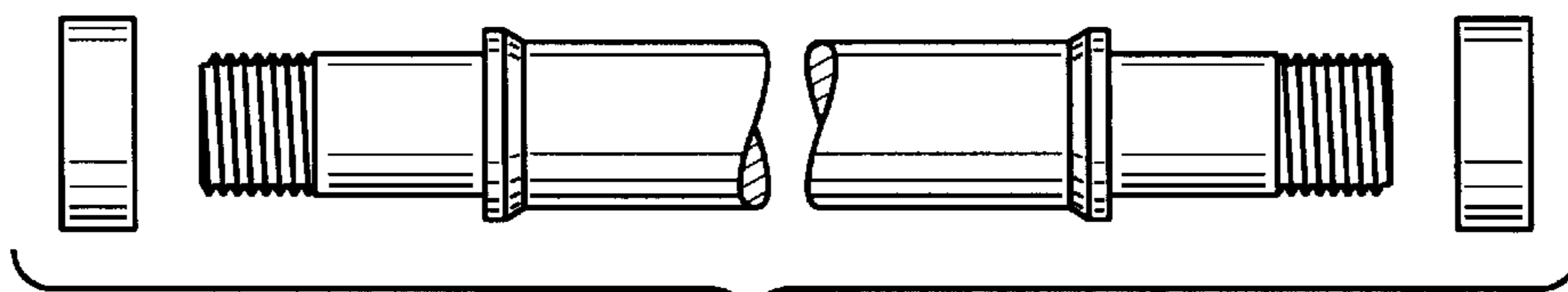


FIG._15