



US00D486535S

(12) **United States Design Patent**  
**Giannelli**

(10) **Patent No.:** **US D486,535 S**

(45) **Date of Patent:** **\*\* Feb. 10, 2004**

(54) **ABDOMINAL EXERCISE MACHINE**

(75) **Inventor:** **Raymond Giannelli**, Franklin, MA  
(US)

(73) **Assignee:** **Cybex International, Inc.**, Medway,  
MA (US)

(\*\*) **Term:** **14 Years**

(21) **Appl. No.:** **29/170,862**

(22) **Filed:** **Nov. 13, 2002**

(51) **LOC (7) Cl.** ..... **21-02**

(52) **U.S. Cl.** ..... **D21/676**

(58) **Field of Search** ..... D21/662, 673,  
D21/674, 675, 676; 482/95, 96, 97, 98,  
99, 100, 101, 102, 140, 133, 135, 137

(56) **References Cited**

**U.S. PATENT DOCUMENTS**

4,387,893 A \* 6/1983 Baldwin ..... 482/137  
4,500,089 A 2/1985 Jones  
5,094,449 A \* 3/1992 Stearns ..... 482/130

5,104,121 A \* 4/1992 Webb ..... 482/137  
5,549,534 A 8/1996 Parviainen ..... 482/137  
6,015,372 A 1/2000 Steffee et al. .... 482/137  
D439,938 S \* 4/2001 Batca et al. .... D21/662  
D439,940 S \* 4/2001 Batca et al. .... D21/676

\* cited by examiner

*Primary Examiner*—Philip S. Hyder

(74) *Attorney, Agent, or Firm*—Kudirka & Jobse, LLP

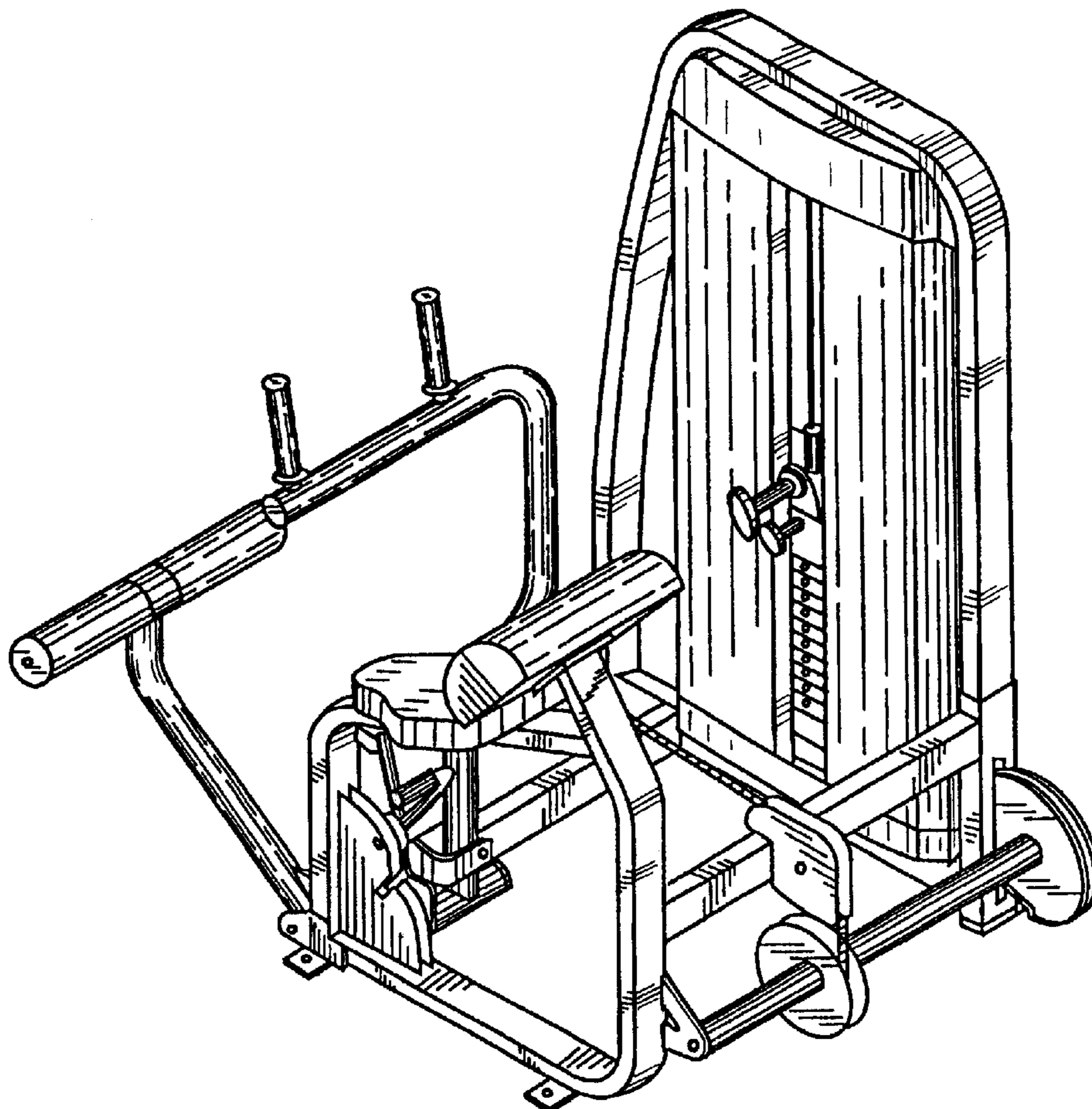
(57) **CLAIM**

The ornamental design for an abdominal exercise machine,  
as shown.

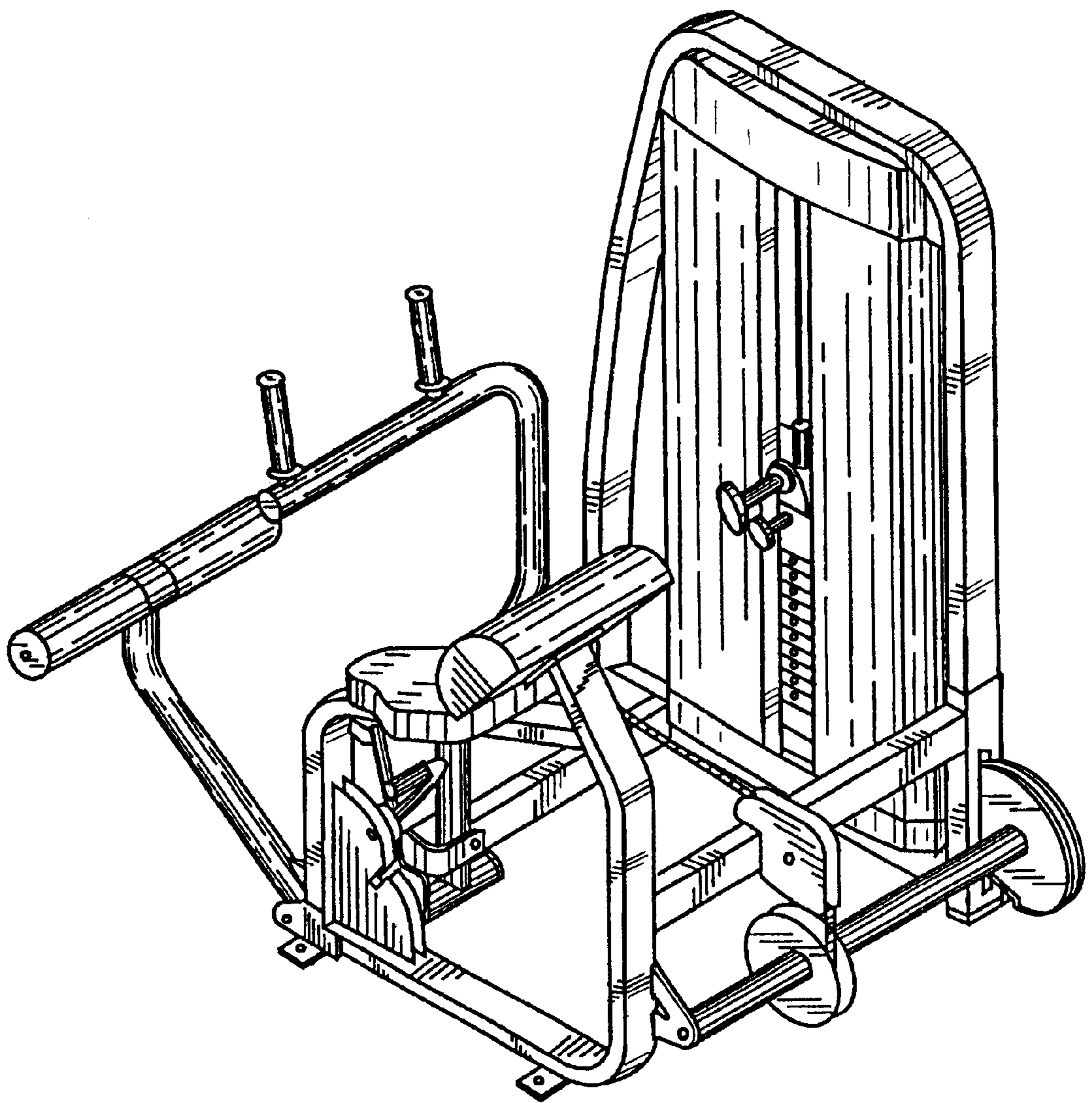
**DESCRIPTION**

FIG. 1 is front perspective view of abdominal exercise machine of the subject invention;  
FIG. 2 is a left side view thereof;  
FIG. 3 is a right side view thereof;  
FIG. 4 is a front view thereof;  
FIG. 5 is a back view thereof; and,  
FIG. 6 is a top view thereof.

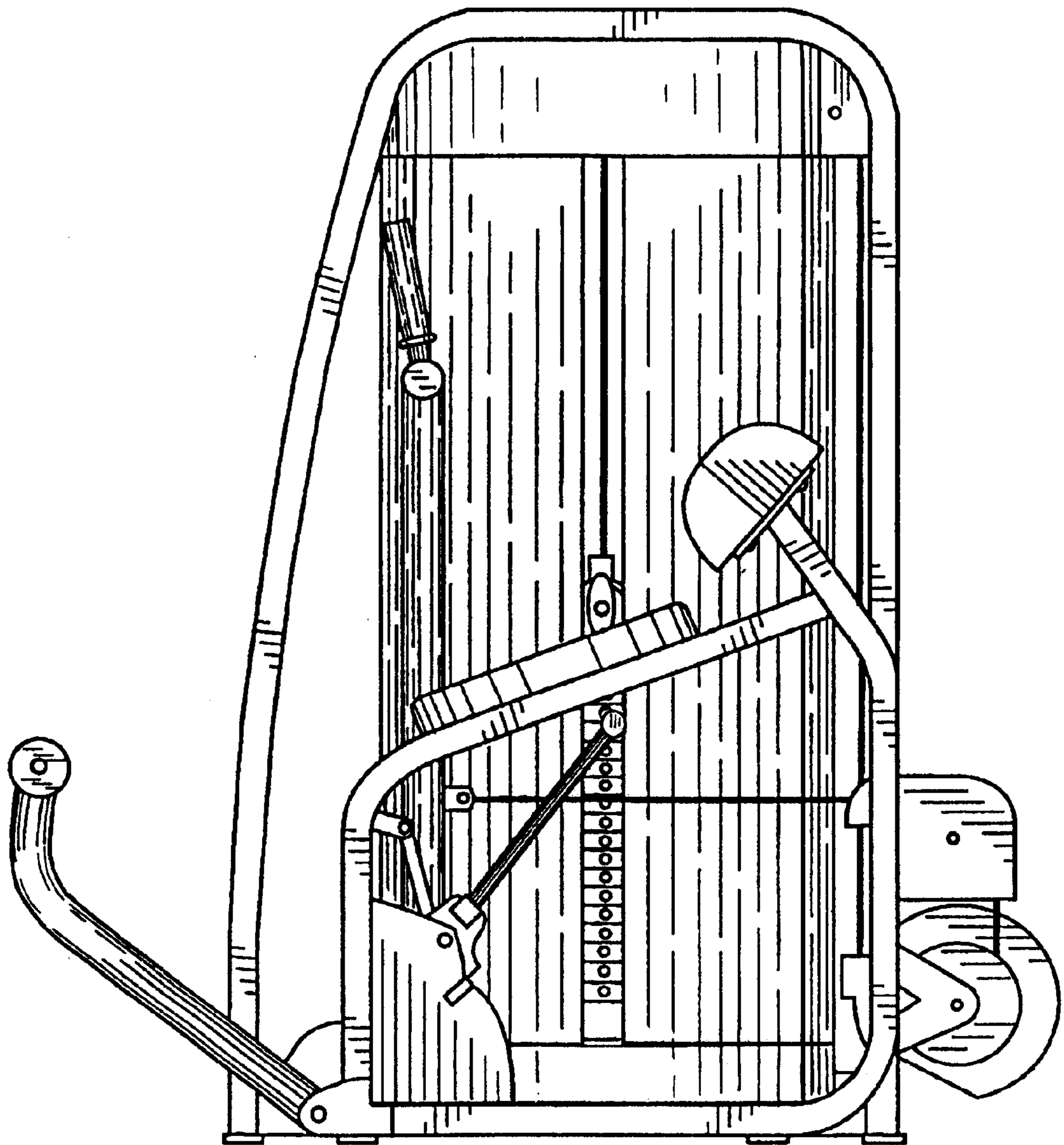
**1 Claim, 6 Drawing Sheets**



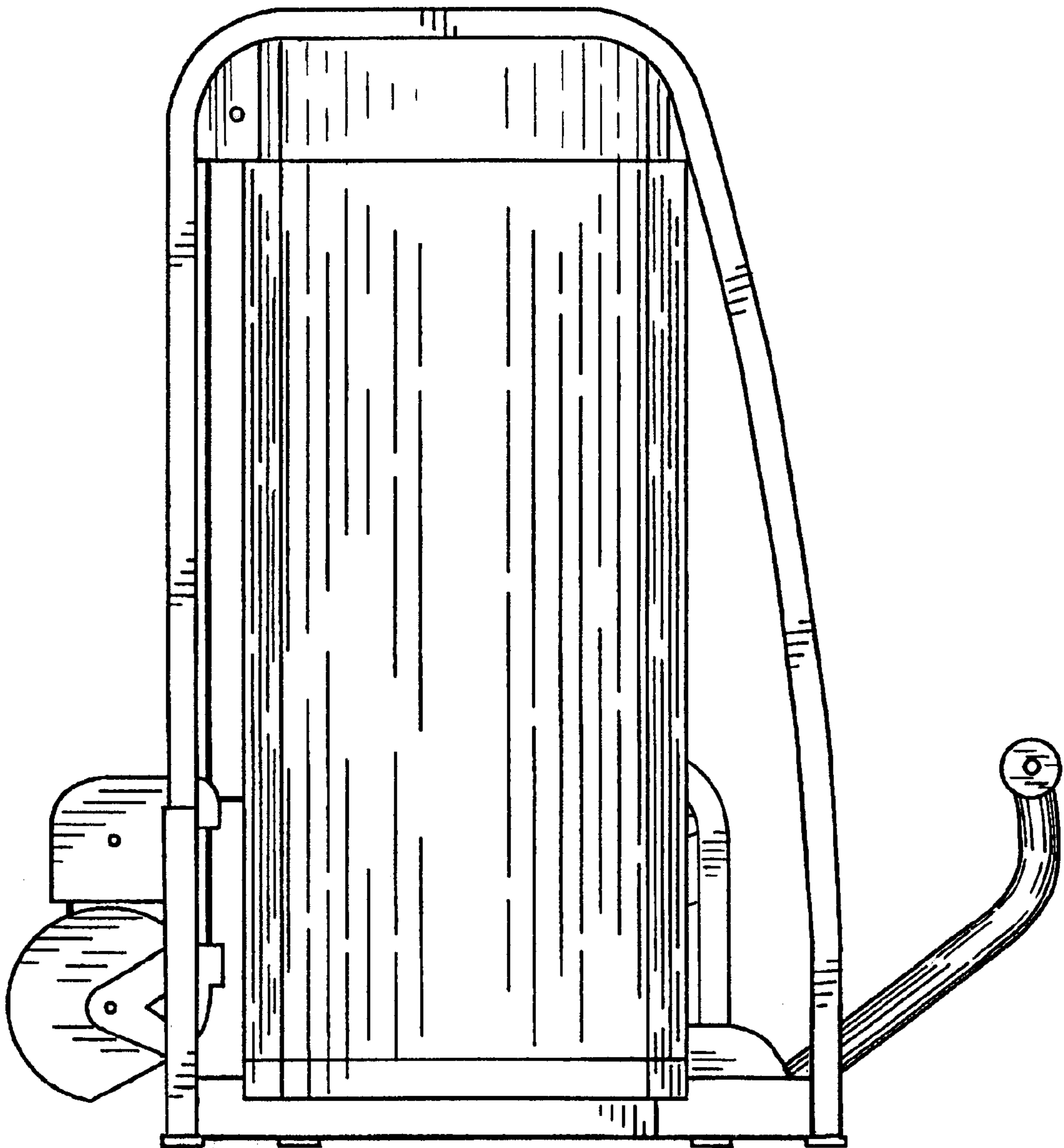
*FIG. 1*



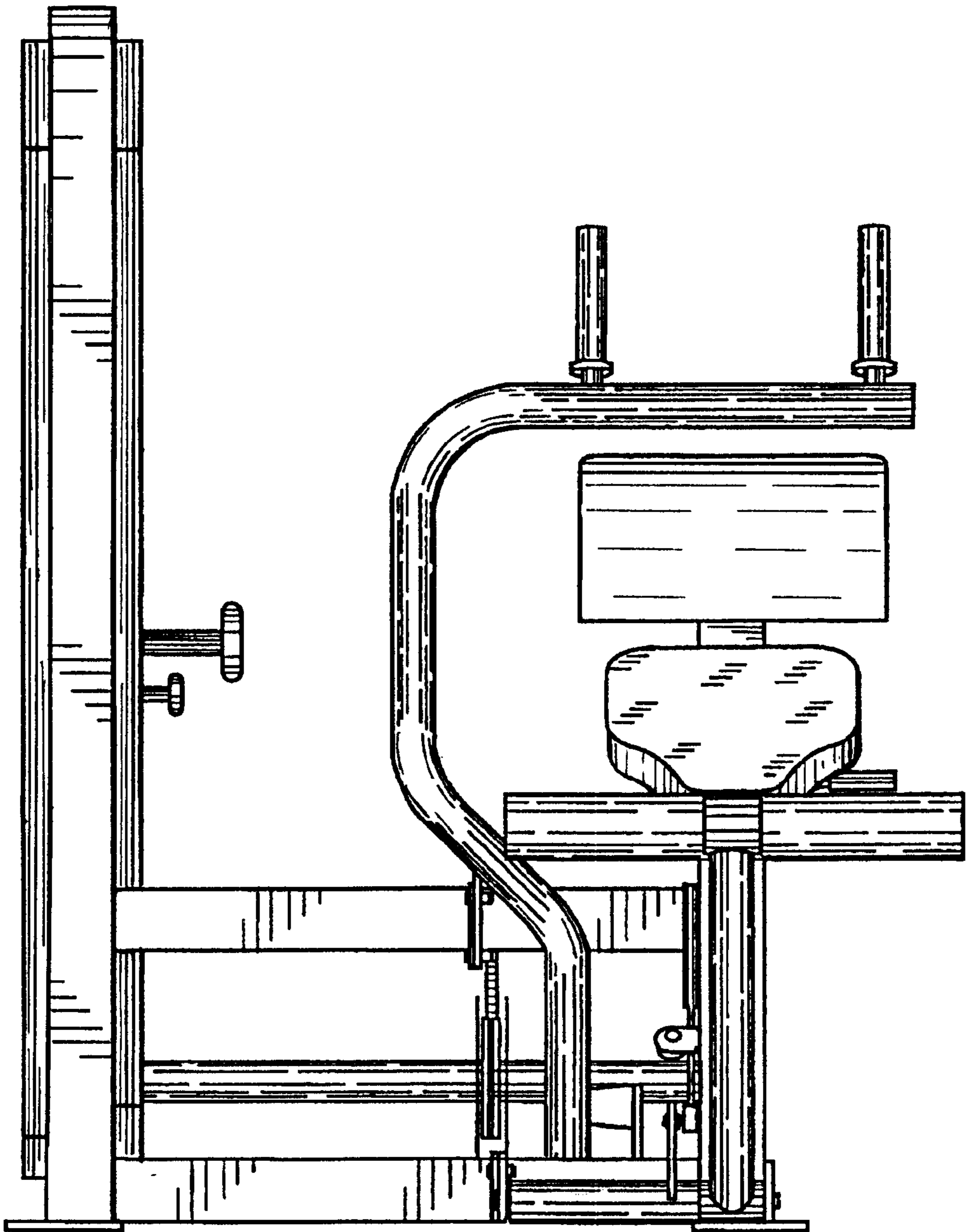
**FIG. 2**



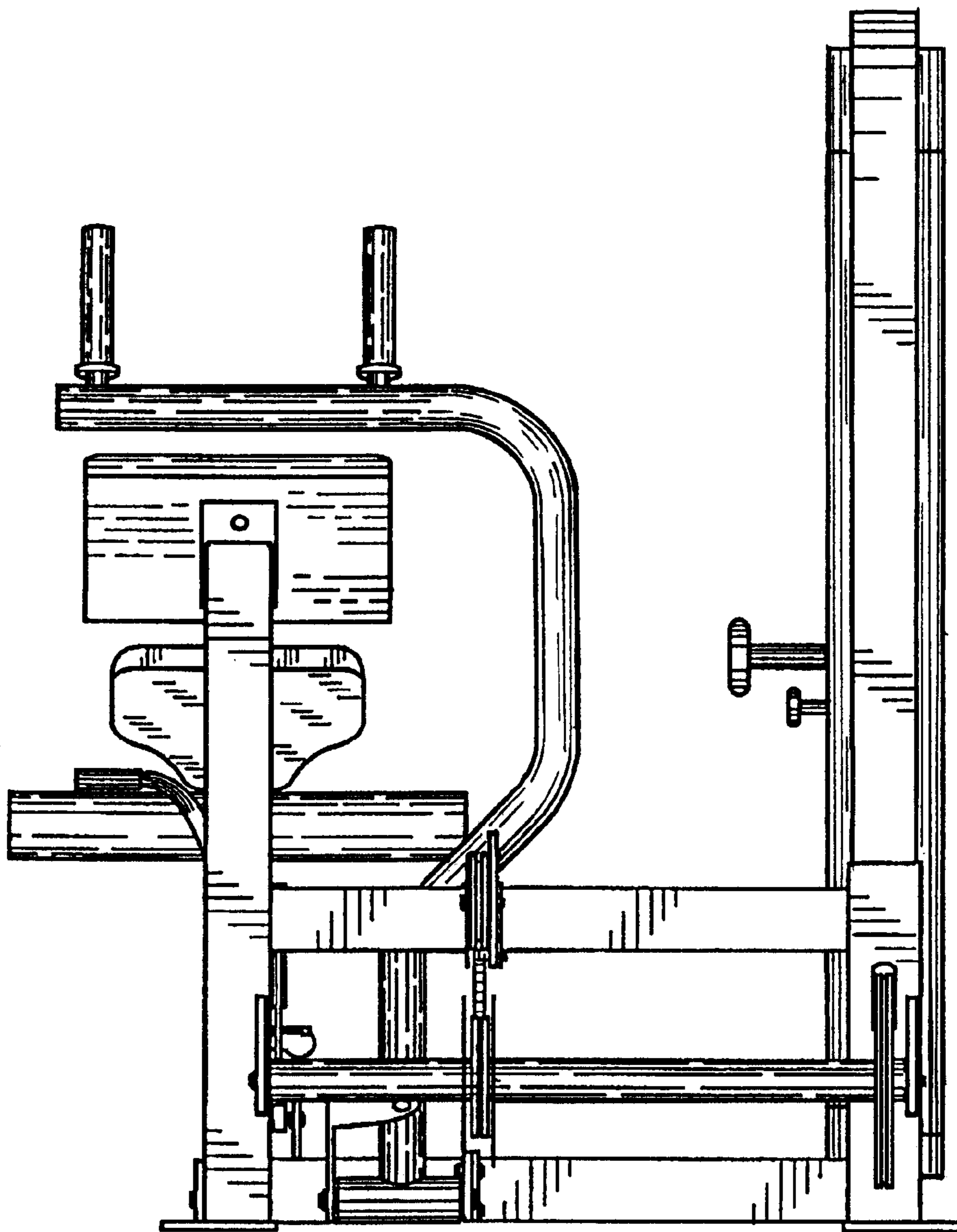
*FIG. 3*



*FIG. 4*



*FIG. 5*



*FIG. 6*

